



US00D726636S

(12) **United States Design Patent**
Curts et al.

(10) **Patent No.:** **US D726,636 S**
(45) **Date of Patent:** **** Apr. 14, 2015**

(54) **BOAT TOWER**

(71) Applicant: **MasterCraft Boat Company, LLC**,
Vonore, TN (US)

(72) Inventors: **Chadrick E. Curts**, Lenoir City, TN
(US); **Ryan D. Lake**, Madisonville, TN
(US)

(73) Assignee: **MasterCraft Boat Company, LLC**,
Vonore, TN (US)

(**) Term: **14 Years**

(21) Appl. No.: **29/495,288**

(22) Filed: **Jun. 30, 2014**

(51) **LOC (10) Cl.** **12-06**

(52) **U.S. Cl.**
USPC **D12/317**

(58) **Field of Classification Search**
USPC D12/300, 301, 310–314, 317, 318, 114;
114/247, 249, 250, 253, 254, 343, 361,
114/364; D8/349, 354, 382
See application file for complete search history.

(56) **References Cited**

U.S. PATENT DOCUMENTS

5,052,326	A	10/1991	Wiggen et al.	
6,044,788	A	4/2000	Larson et al.	
6,192,819	B1	2/2001	Larson et al.	
6,374,762	B1	4/2002	Larson et al.	
RE37,823	E	9/2002	Larson et al.	
6,666,159	B2	12/2003	Larson et al.	
6,792,888	B1	9/2004	Metcalf	
6,854,413	B2	2/2005	Jackson et al.	
6,865,999	B2	3/2005	Bierbower, Jr.	
6,986,321	B2	1/2006	Metcalf	
6,997,131	B2	2/2006	Jackson et al.	
7,219,617	B2	5/2007	Metcalf	
D551,154	S *	9/2007	Metcalf	D12/317
7,334,956	B2	2/2008	Taylor	

7,392,758	B2	7/2008	Metcalf	
7,536,971	B1	5/2009	Fry	
D605,575	S *	12/2009	Oswell et al.	D12/317
D611,397	S *	3/2010	Oswell et al.	D12/317
8,171,874	B2	5/2012	Gasper	
8,196,542	B2	6/2012	Oswell et al.	
8,205,571	B1	6/2012	Rondeau et al.	
D664,495	S *	7/2012	Oswell et al.	D12/317
8,485,119	B2	7/2013	Gasper	
8,495,967	B2	7/2013	Williams et al.	
8,522,706	B2	9/2013	Larson et al.	
8,555,802	B2	10/2013	Oswell et al.	
2013/0340664	A1	12/2013	Larson et al.	
2014/0048007	A1	2/2014	Williams et al.	
2014/0190392	A1 *	7/2014	Williams et al.	114/361

* cited by examiner

Primary Examiner — Cynthia M Chin

(74) *Attorney, Agent, or Firm* — Fitzpatrick, Cella, Harper & Scinto

(57) **CLAIM**

The ornamental design for a boat tower, as shown and described.

DESCRIPTION

FIG. 1 is a perspective view of the tower shown from the front and left sides.

FIG. 2 is a perspective view of the tower shown from the rear and right sides.

FIG. 3 is a front elevation view of the tower.

FIG. 4 is a rear elevation view of the tower.

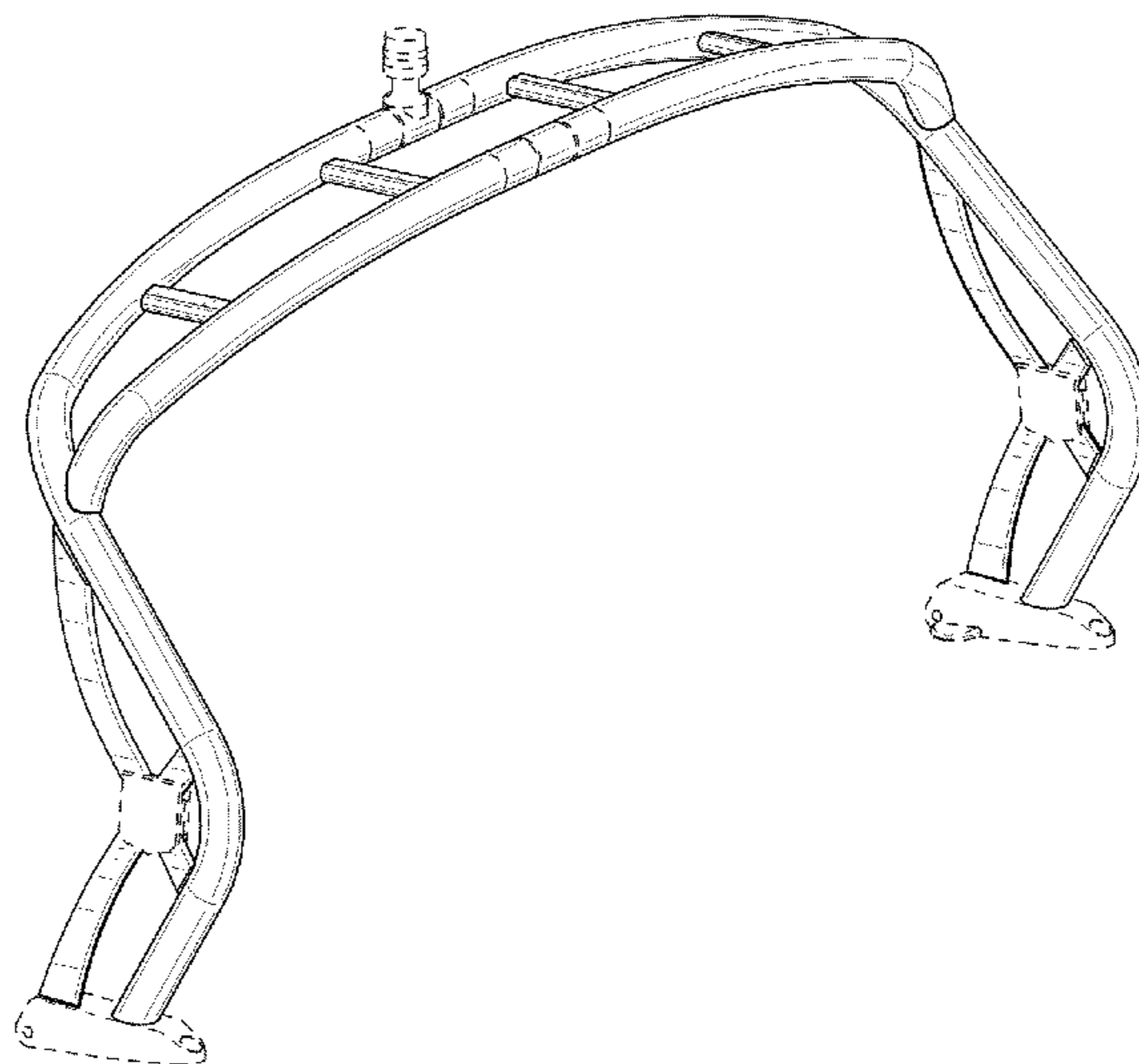
FIG. 5 is a left side elevation view of the tower, with the right side view (not shown) being a mirror image of the left side view.

FIG. 6 is a top view of the tower; and,

FIG. 7 is a bottom view of the tower.

The broken lines shown are included for the purpose of illustrating the unclaimed portions of the article and form no part of the claimed design.

1 Claim, 3 Drawing Sheets



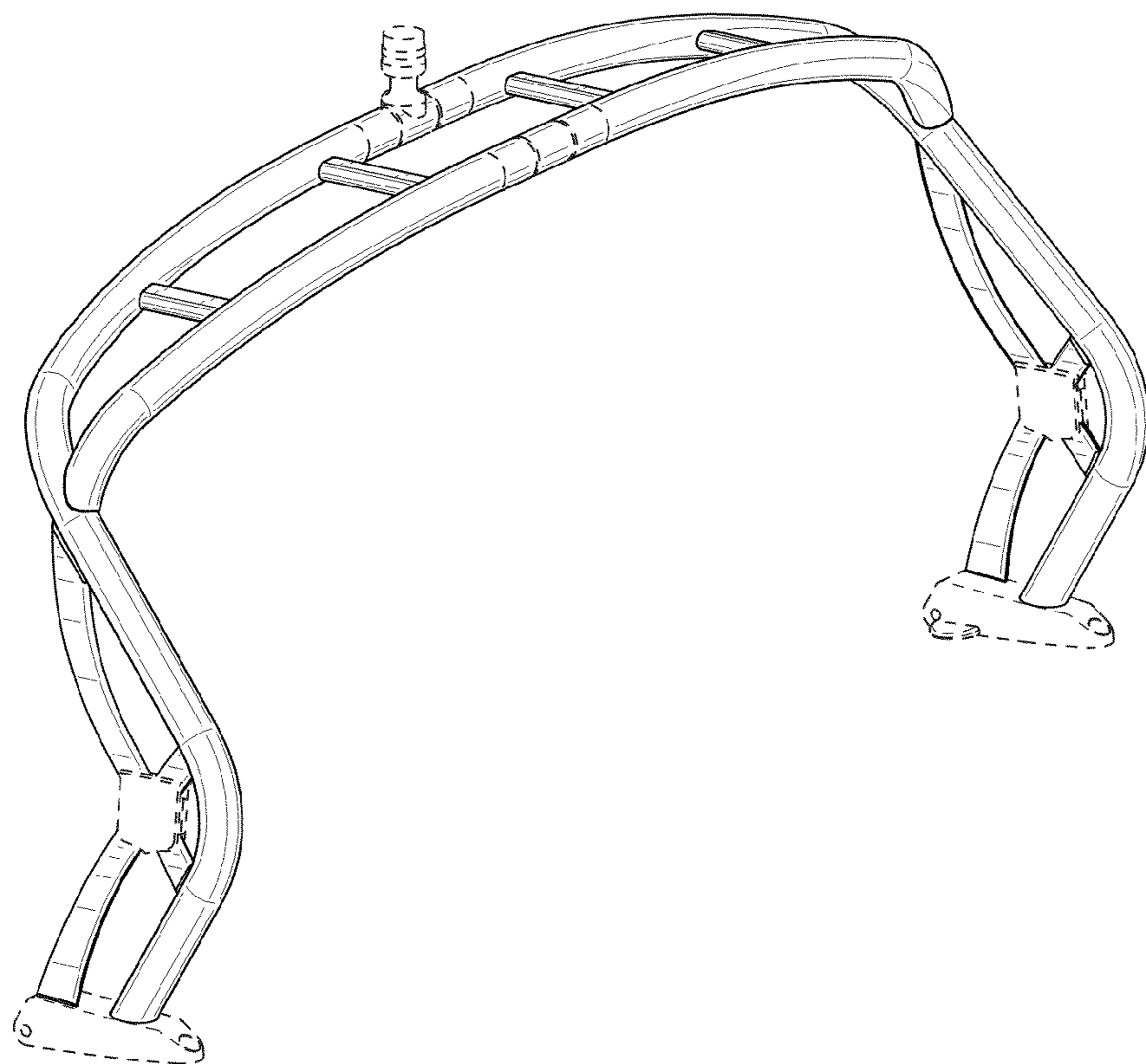


FIG. 1

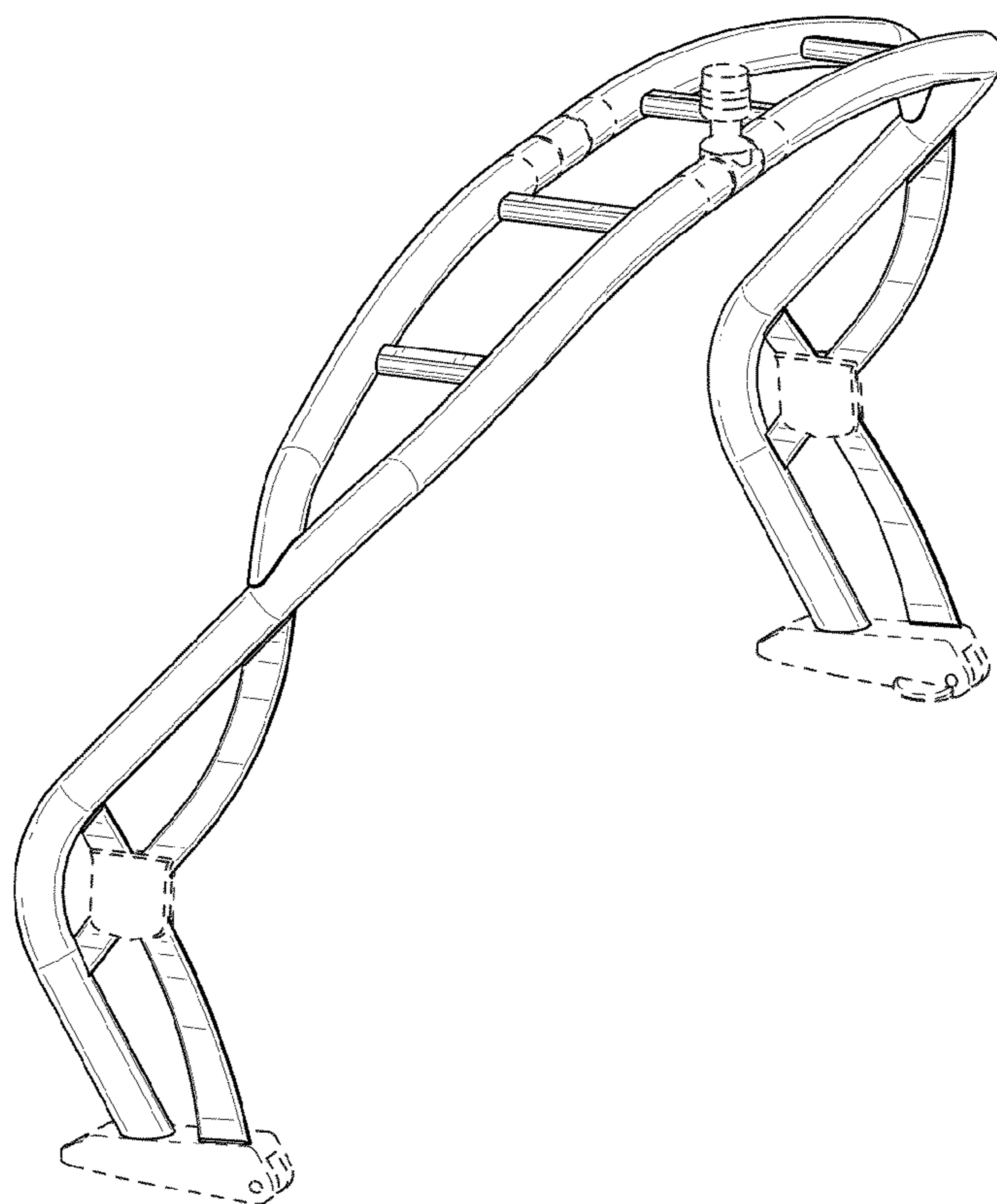


FIG. 2

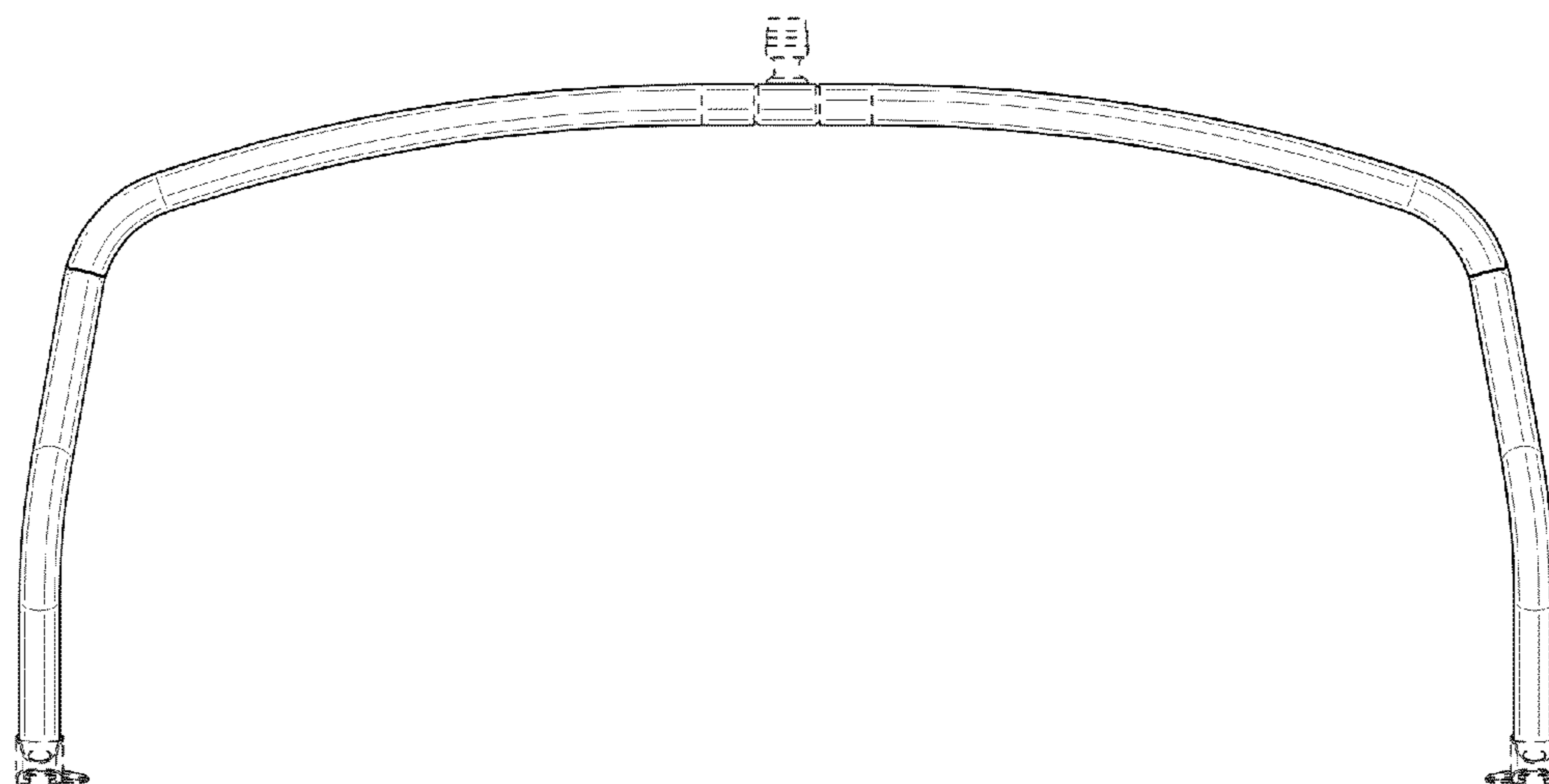


FIG. 3

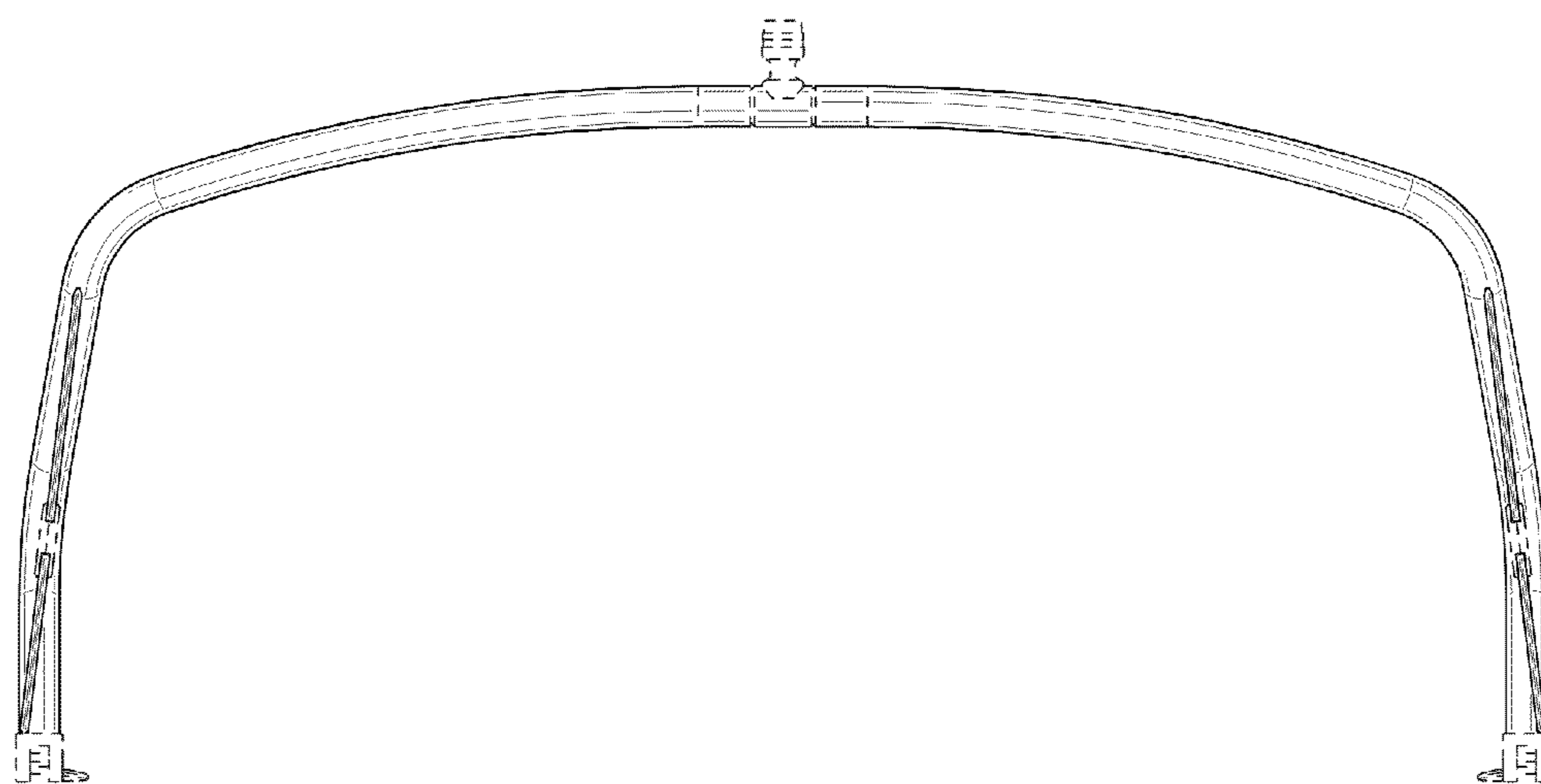


FIG. 4

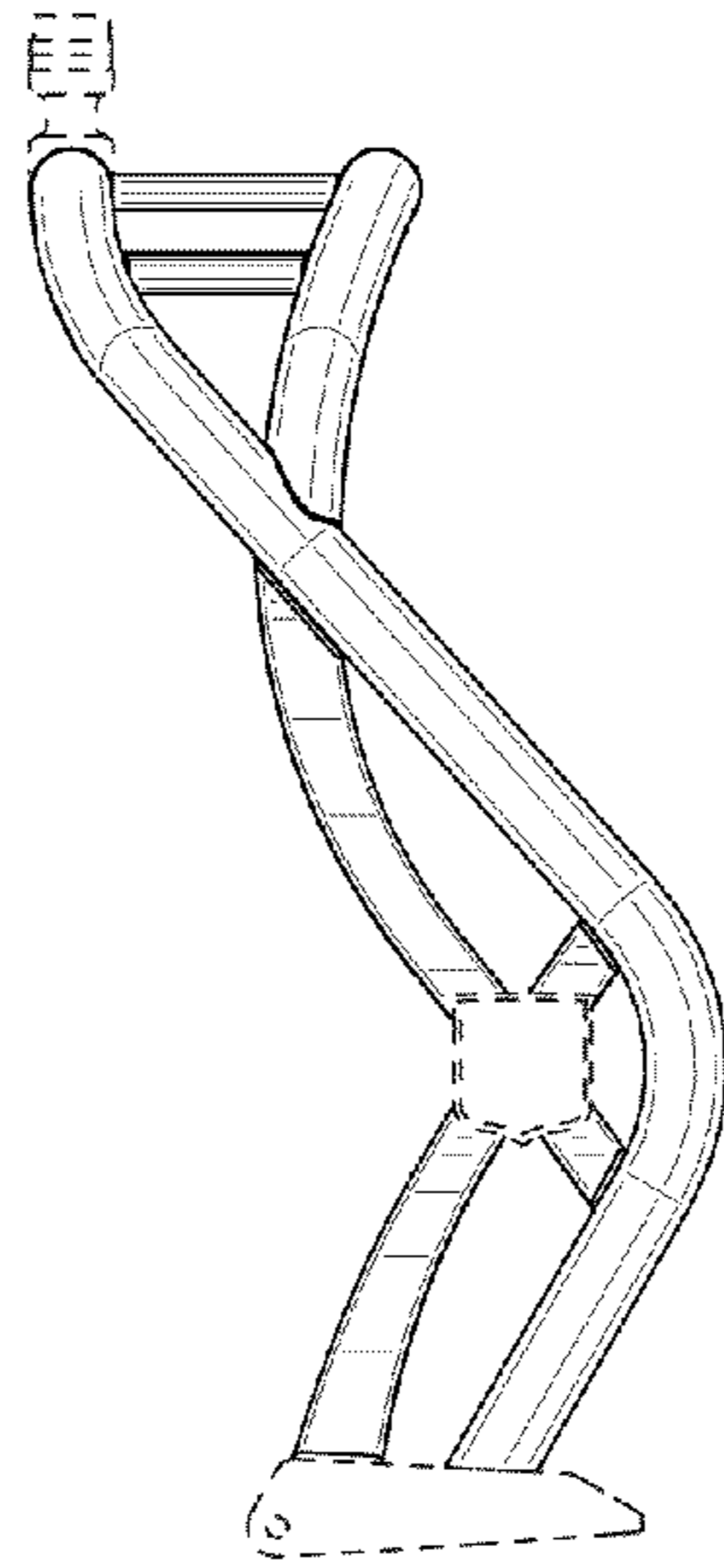


FIG. 5

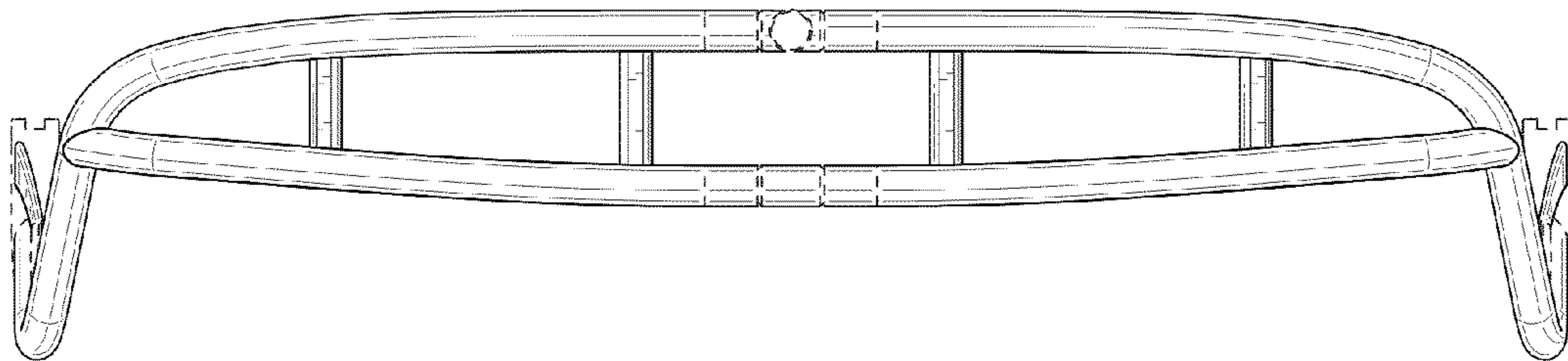


FIG. 6

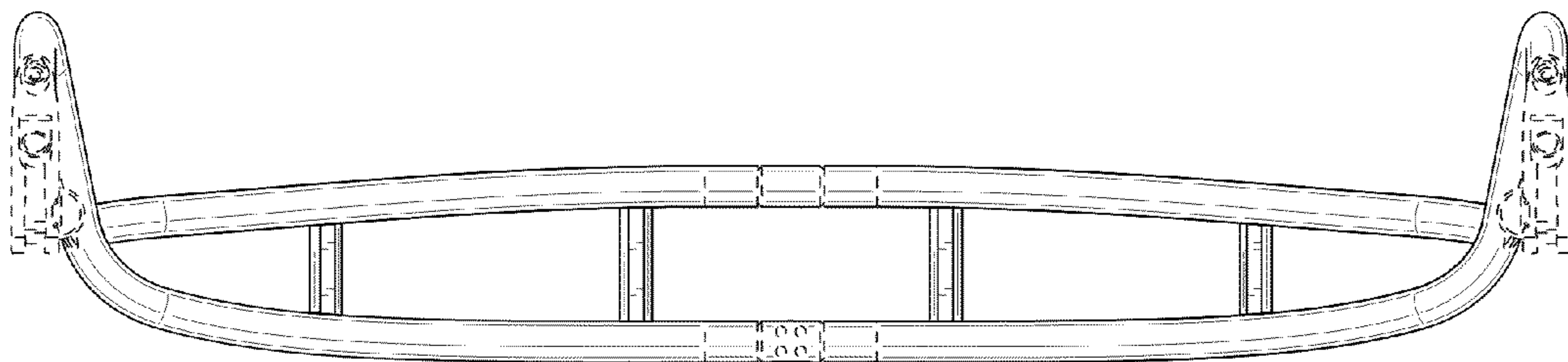


FIG. 7