



US00D726635S

(12) **United States Design Patent**
Curts

(10) **Patent No.:** **US D726,635 S**
(45) **Date of Patent:** **** Apr. 14, 2015**

- (54) **SWIM PLATFORM FOR A BOAT**
- (71) Applicant: **MasterCraft Boat Company, LLC**,
Vonore, TN (US)
- (72) Inventor: **Chadrick E. Curts**, Lenoir City, TN
(US)
- (73) Assignee: **MasterCraft Boat Company, LLC**,
Vonore, TN (US)
- (**) Term: **14 Years**
- (21) Appl. No.: **29/492,773**
- (22) Filed: **Jun. 3, 2014**
- (51) **LOC (10) Cl.** **12-06**
- (52) **U.S. Cl.**
USPC **D12/317**
- (58) **Field of Classification Search**
USPC D12/300–318; 114/343, 362
See application file for complete search history.

2007/0006789	A1 *	1/2007	Davidson et al.	114/362
2010/0180812	A1 *	7/2010	Trippodo	114/362
2013/0160695	A1 *	6/2013	Gratz et al.	114/362

OTHER PUBLICATIONS

2013 MasterCraft Owner’s Manual, MasterCraft Boat Company.

* cited by examiner

Primary Examiner — Cynthia M Chin

(74) *Attorney, Agent, or Firm* — Fitzpatrick, Cella, Harper & Scinto

(57) **CLAIM**

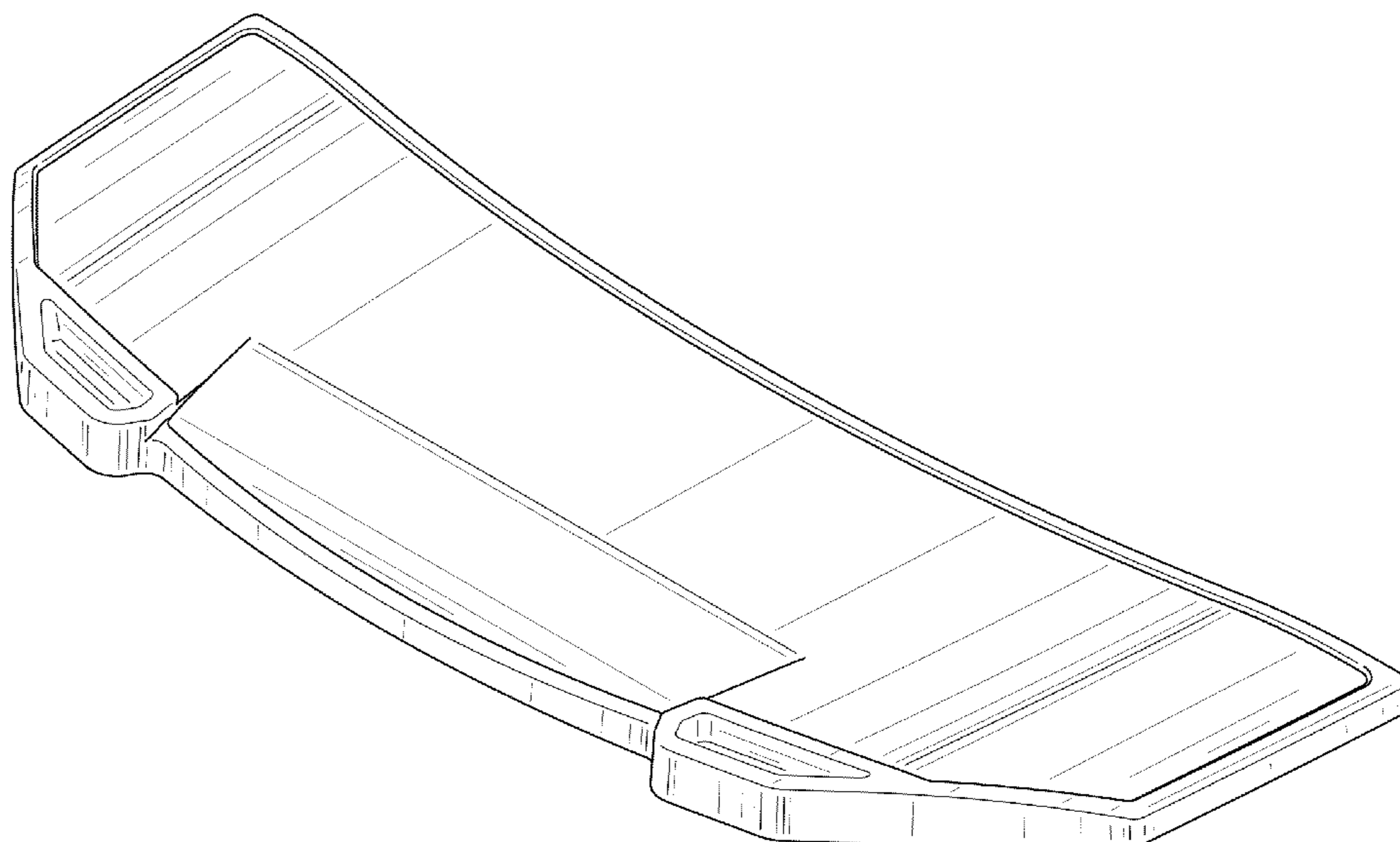
The ornamental design for a swim platform for a boat, as shown and described.

DESCRIPTION

FIG. 1 is a perspective view of the swim platform.
 FIG. 2 is a rear elevational view of the swim platform.
 FIG. 3 is a front elevational view of the swim platform.
 FIG. 4 is a right side elevational view of the swim platform, taken from the port side.
 FIG. 5 is a left side elevational view of the swim platform, taken from the starboard side.
 FIG. 6 is a top view of the swim platform.
 FIG. 7 is a bottom view of the swim platform; and,
 FIG. 8 is a perspective view of a boat with the swim platform installed on the transom of the boat.
 The broken lines shown are included for the purpose of illustrating the unclaimed portions of the article and form no part of the claimed design.

1 Claim, 6 Drawing Sheets

- (56) **References Cited**
- U.S. PATENT DOCUMENTS
- D245,902 S * 9/1977 Rogers D12/312
- D246,234 S * 11/1977 Whitley et al. D12/314
- 4,548,155 A * 10/1985 Hegg et al. 114/362
- 4,669,414 A * 6/1987 Molino 114/343
- 4,744,778 A * 5/1988 Porter 114/343
- D349,090 S * 7/1994 Wenstadt D12/318
- 5,572,944 A * 11/1996 Slikkers et al. 114/343
- D429,682 S * 8/2000 Garland et al. D12/315
- D547,256 S * 7/2007 Kalil D12/317
- 8,375,880 B1 * 2/2013 St. Clair et al. 114/362
- D700,127 S * 2/2014 Fuller, IV D12/300



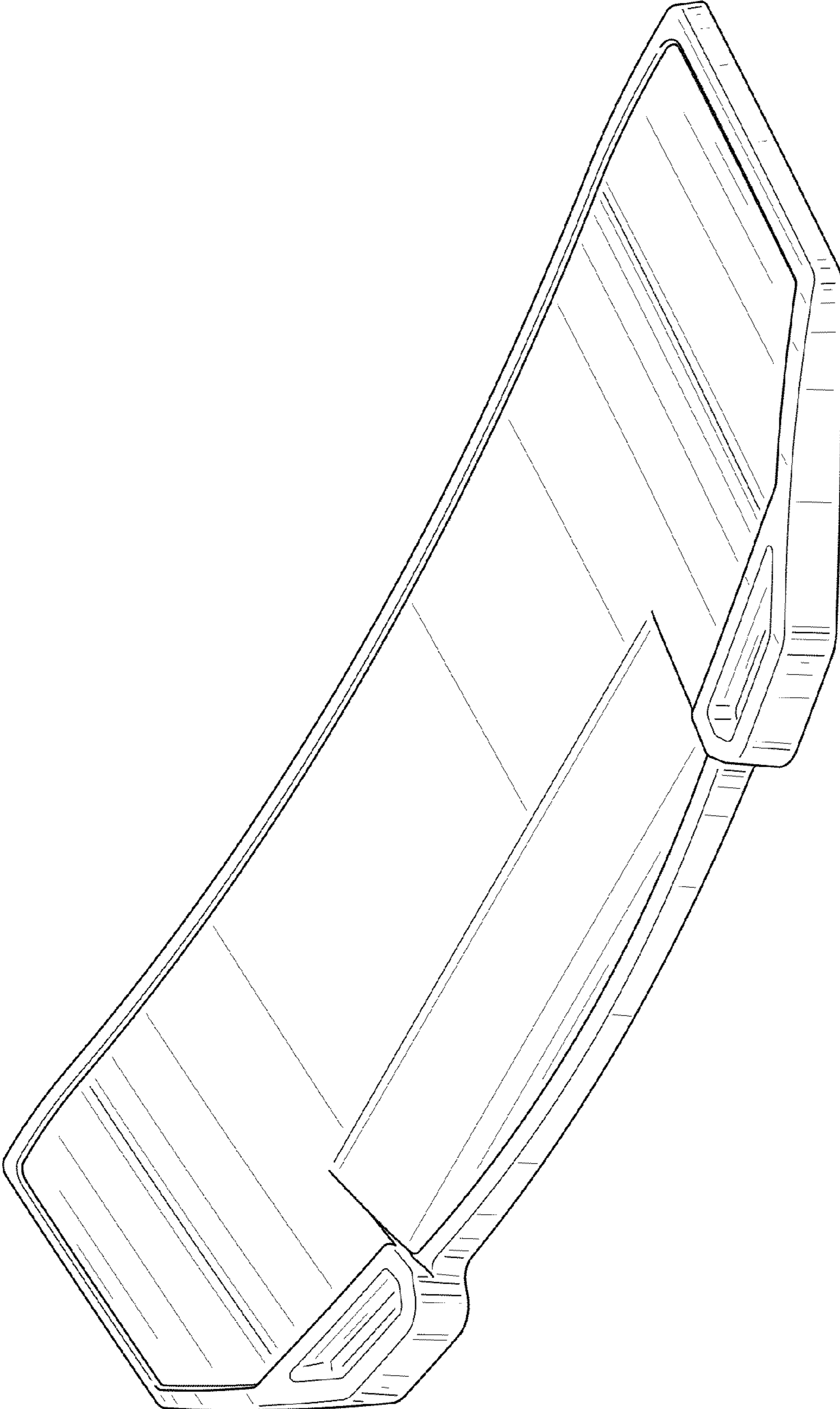


FIG. 1

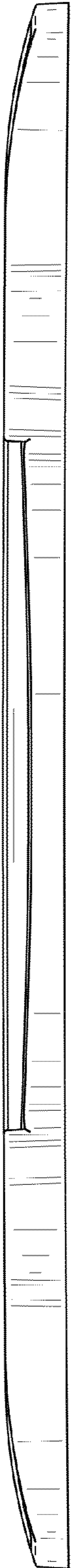


FIG. 2

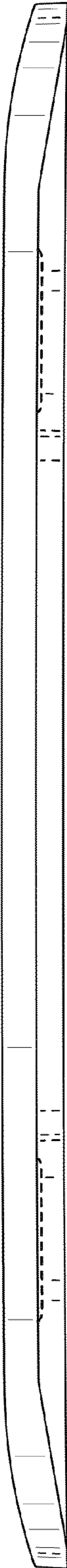


FIG. 3

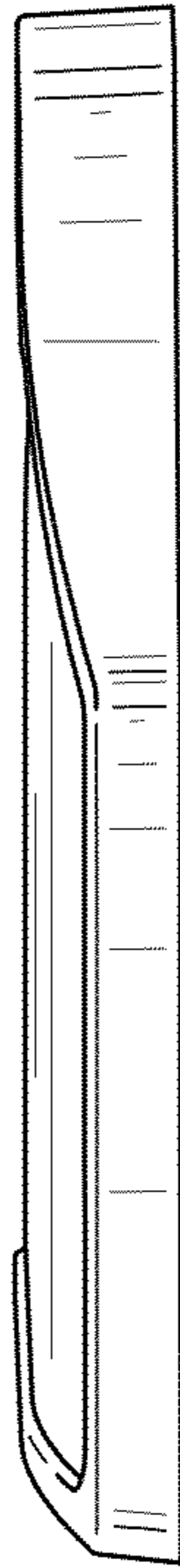


FIG. 4

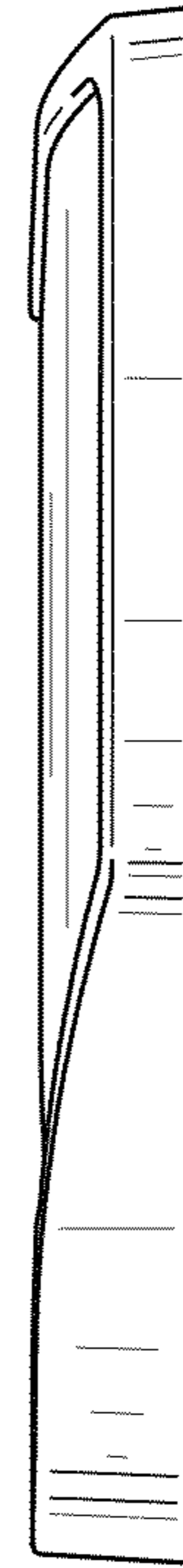


FIG. 5

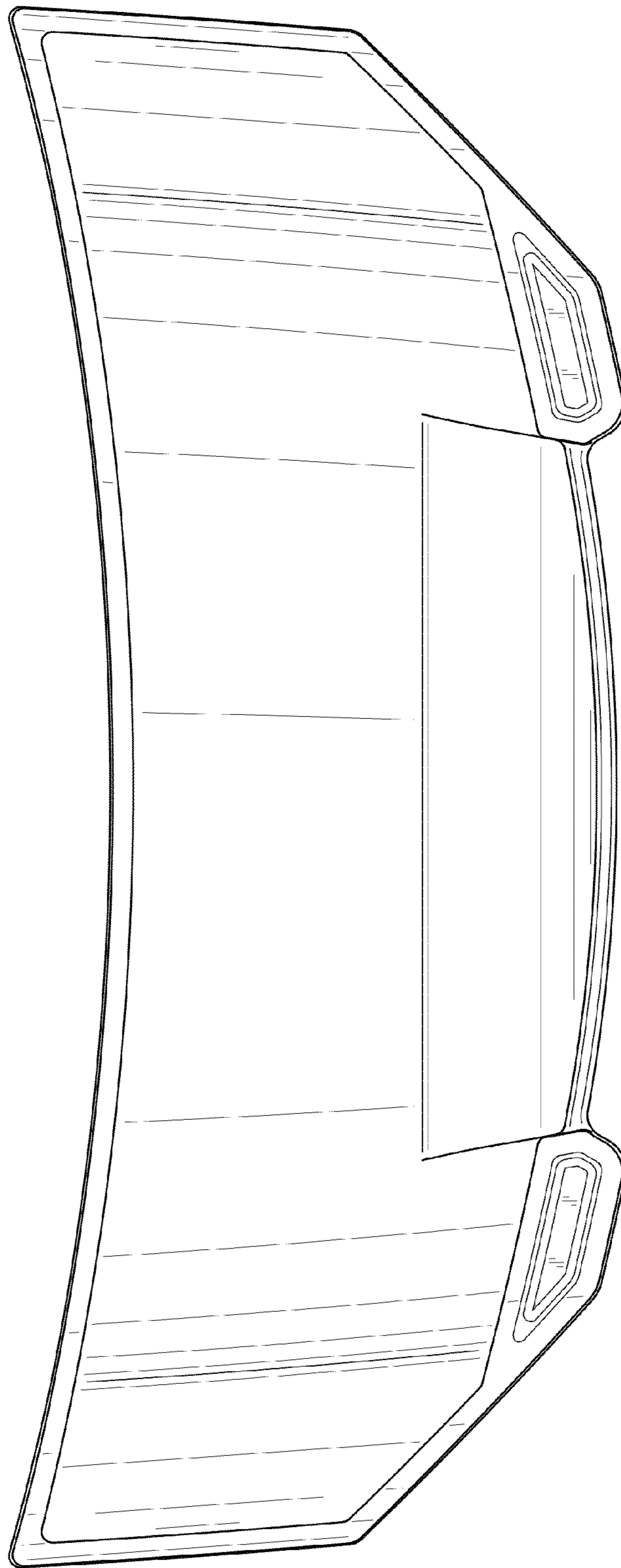


FIG. 6

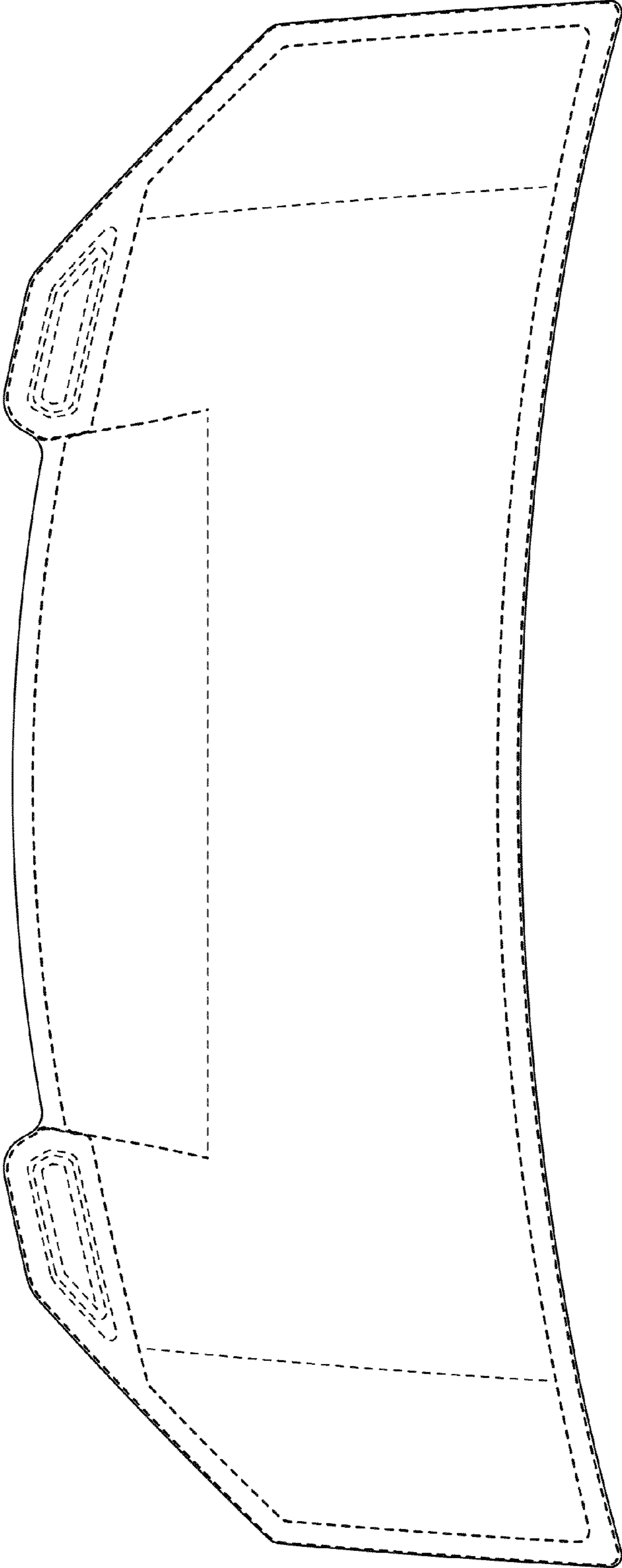


FIG. 7

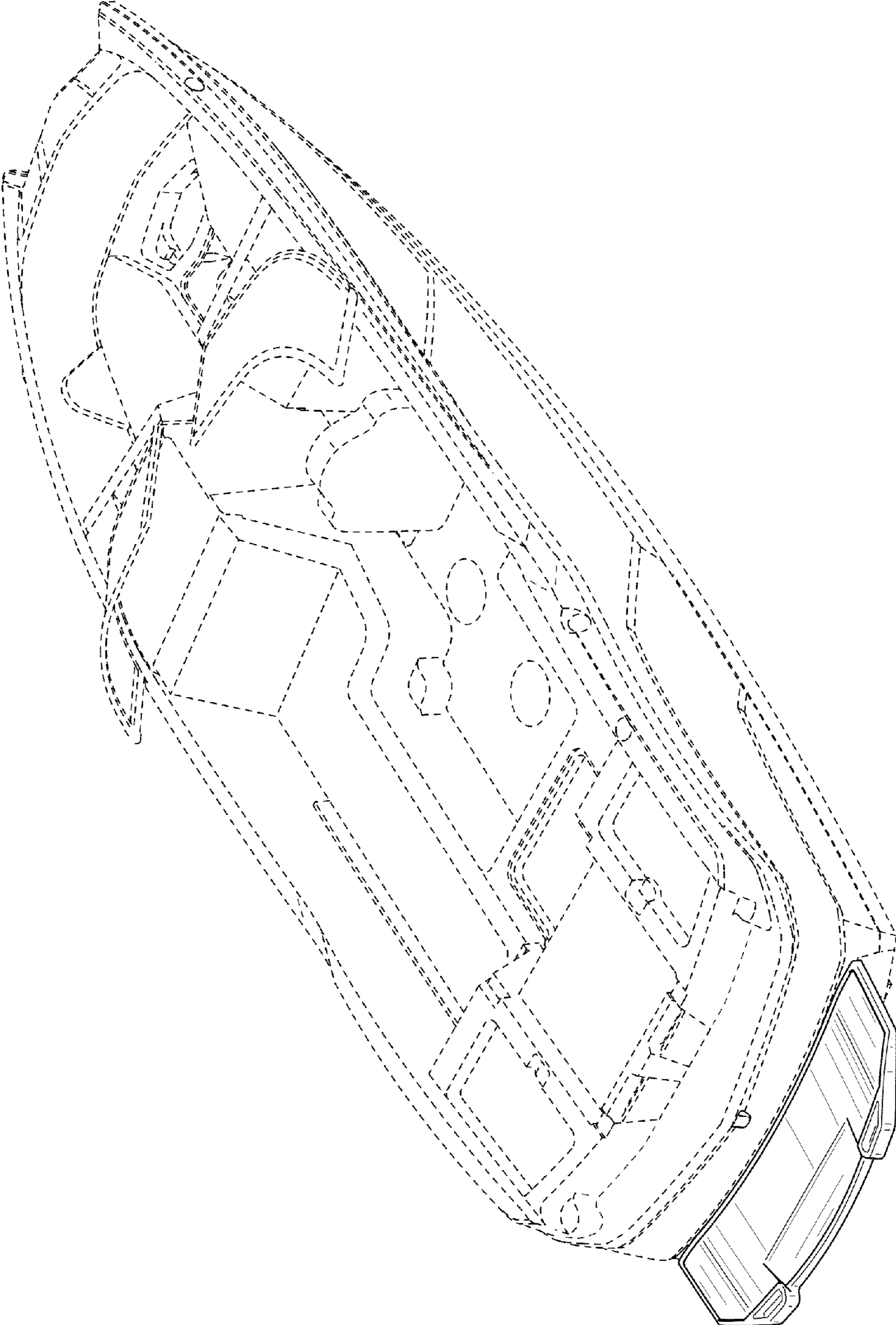


FIG. 8