



US00D726633S

(12) **United States Design Patent**
Cote et al.

(10) **Patent No.:** **US D726,633 S**
(45) **Date of Patent:** **** Apr. 14, 2015**

(54) **WATERCRAFT REAR EXTENSION**

FOREIGN PATENT DOCUMENTS

(71) Applicant: **Bombardier Recreational Products Inc., Valcourt (CA)**

AU 776164 B2 8/2004
EP 0875447 A1 11/1998

(Continued)

(72) Inventors: **Andre Cote, Longueuil (CA); Steve Tetreault, Sherbrooke (CA); Arik Schwarz, Granby (CA); Philippe Petit, Orford (CA)**

OTHER PUBLICATIONS

English Abstract of FR2898329, Published Sep. 14, 2007; Retrieved from <http://worldwide.espacenet.com/> on Sep. 13, 2013.

(Continued)

(73) Assignee: **Bombardier Recreational Products Inc., Valcourt (CA)**

Primary Examiner — Cynthia M Chin

(**) Term: **14 Years**

(74) *Attorney, Agent, or Firm* — BCF LLP

(21) Appl. No.: **29/467,031**

(22) Filed: **Sep. 13, 2013**

(57) **CLAIM**

(51) **LOC (10) Cl.** **12-06**

The ornamental design for a watercraft rear extension, as shown and described.

(52) **U.S. Cl.**

USPC **D12/317; D12/307**

(58) **Field of Classification Search**

USPC D12/6-11, 300-318; 114/55.5, 114/55.51-55.58, 345

See application file for complete search history.

DESCRIPTION

(56) **References Cited**

U.S. PATENT DOCUMENTS

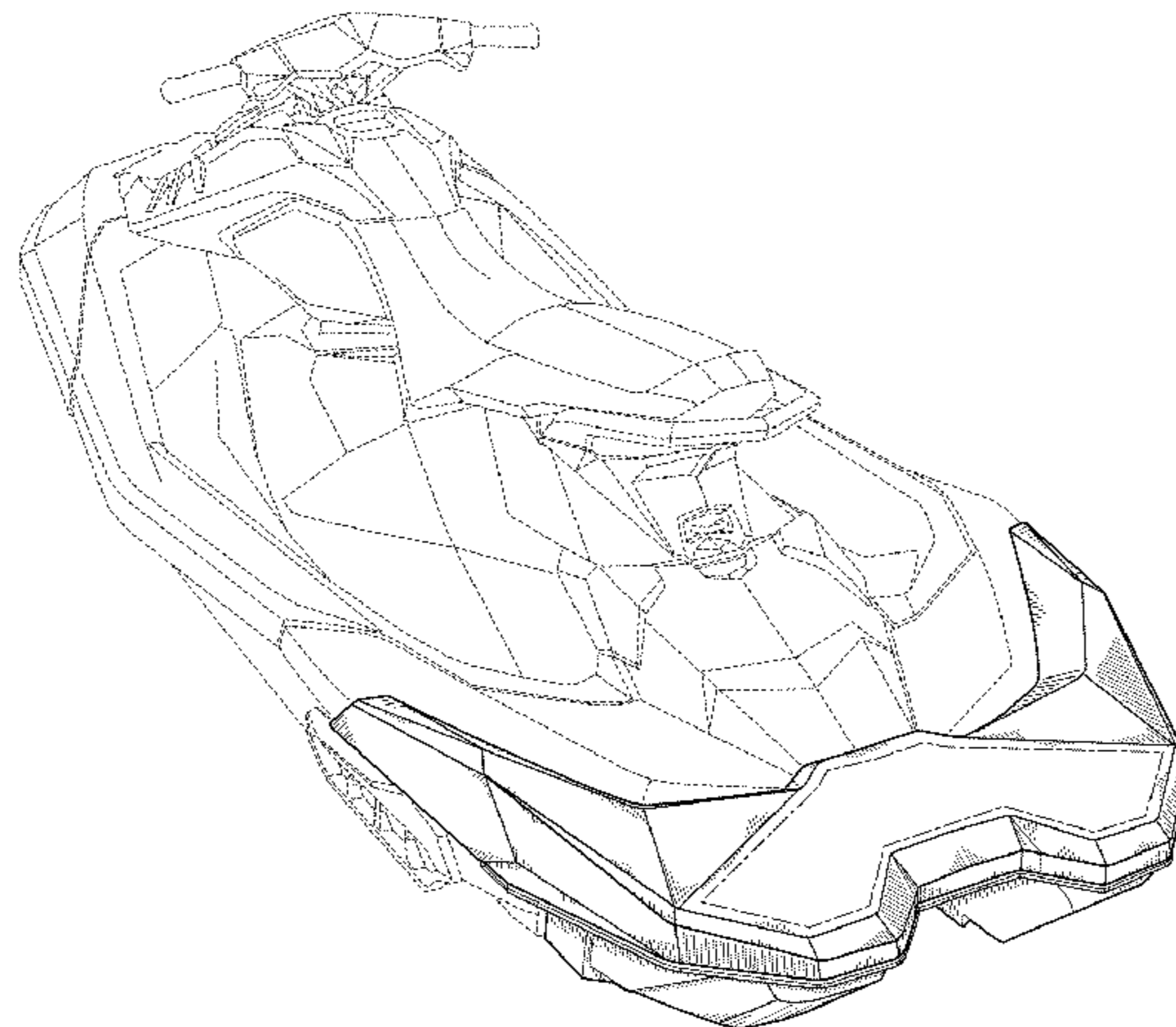
2,605,733	A	8/1952	Smith
2,650,376	A	9/1953	Sommer
2,659,464	A	11/1953	Sweetman
3,019,755	A	2/1962	Diamond
3,266,067	A	8/1966	Windle
3,614,938	A	10/1971	Statile
3,684,139	A	8/1972	Johnson
3,744,071	A	7/1973	Bossler
3,816,865	A	6/1974	Ragan
3,822,427	A	7/1974	Ewart
3,878,806	A	4/1975	Garcia
3,965,513	A	6/1976	Horiuchi
3,996,634	A	12/1976	Grind
4,052,761	A	10/1977	Rilling
4,320,713	A	3/1982	Nishida

(Continued)

FIG. 1 is a perspective view taken from a rear, left side of a watercraft rear extension according to our design shown on a watercraft shown in dashed lines;
FIG. 2 is a top plan view thereof shown on the watercraft shown in dashed lines;
FIG. 3 is a left side elevation view thereof shown on the watercraft shown in dashed lines;
FIG. 4 is a rear elevation view thereof shown on the watercraft shown in dashed lines;
FIG. 5 is a right side elevation view thereof shown on the watercraft shown in dashed lines; and,
FIG. 6 is a bottom plan view thereof shown on the watercraft shown in dashed lines.

Throughout the Figures, where shown: the dashed lines showing the environment of the watercraft rear extension are for illustrative purposes only and form no part of the claimed design; and the dotted/dashed lines illustrate unclaimed boundaries of surfaces claimed as part of the design.

1 Claim, 6 Drawing Sheets



(56)

References Cited

U.S. PATENT DOCUMENTS

4,366,769 A 1/1983 Lingerman
 4,478,167 A 10/1984 Hart
 4,522,145 A 6/1985 Stone
 4,671,202 A 6/1987 Johnson
 4,718,587 A 1/1988 Roberts
 4,807,549 A 2/1989 Rhodes
 4,813,365 A 3/1989 Lindstrom et al.
 4,827,865 A 5/1989 Yelderman
 4,841,900 A 6/1989 Maselko
 4,903,626 A 2/1990 Haines
 4,936,238 A 6/1990 Childress
 5,050,517 A 9/1991 Kobayashi
 5,224,436 A 7/1993 Stricker
 5,261,346 A 11/1993 Updyke
 5,301,629 A 4/1994 Kleyh et al.
 5,329,074 A 7/1994 Alexander
 D359,469 S * 6/1995 Yoshida et al. D12/307
 5,870,965 A 2/1999 Hansen
 6,145,465 A 11/2000 Murphree
 6,325,013 B1 12/2001 Brown
 6,325,014 B1 12/2001 Blanchard
 6,345,581 B2 2/2002 Blanchard

D464,927 S * 10/2002 Aselton et al. D12/307
 D466,857 S * 12/2002 Aselton et al. D12/307
 6,505,571 B1 1/2003 Critchfield et al.
 6,637,362 B1 10/2003 Avidiya
 7,121,909 B1 10/2006 Meyerhoffer
 D547,256 S * 7/2007 Kalil D12/317
 7,395,773 B1 7/2008 Finefield
 7,610,870 B1 11/2009 Zaseybida
 7,856,937 B2 12/2010 Chapdelaine et al.
 D636,321 S * 4/2011 Cote D12/317
 2006/0130726 A1 6/2006 Tyler

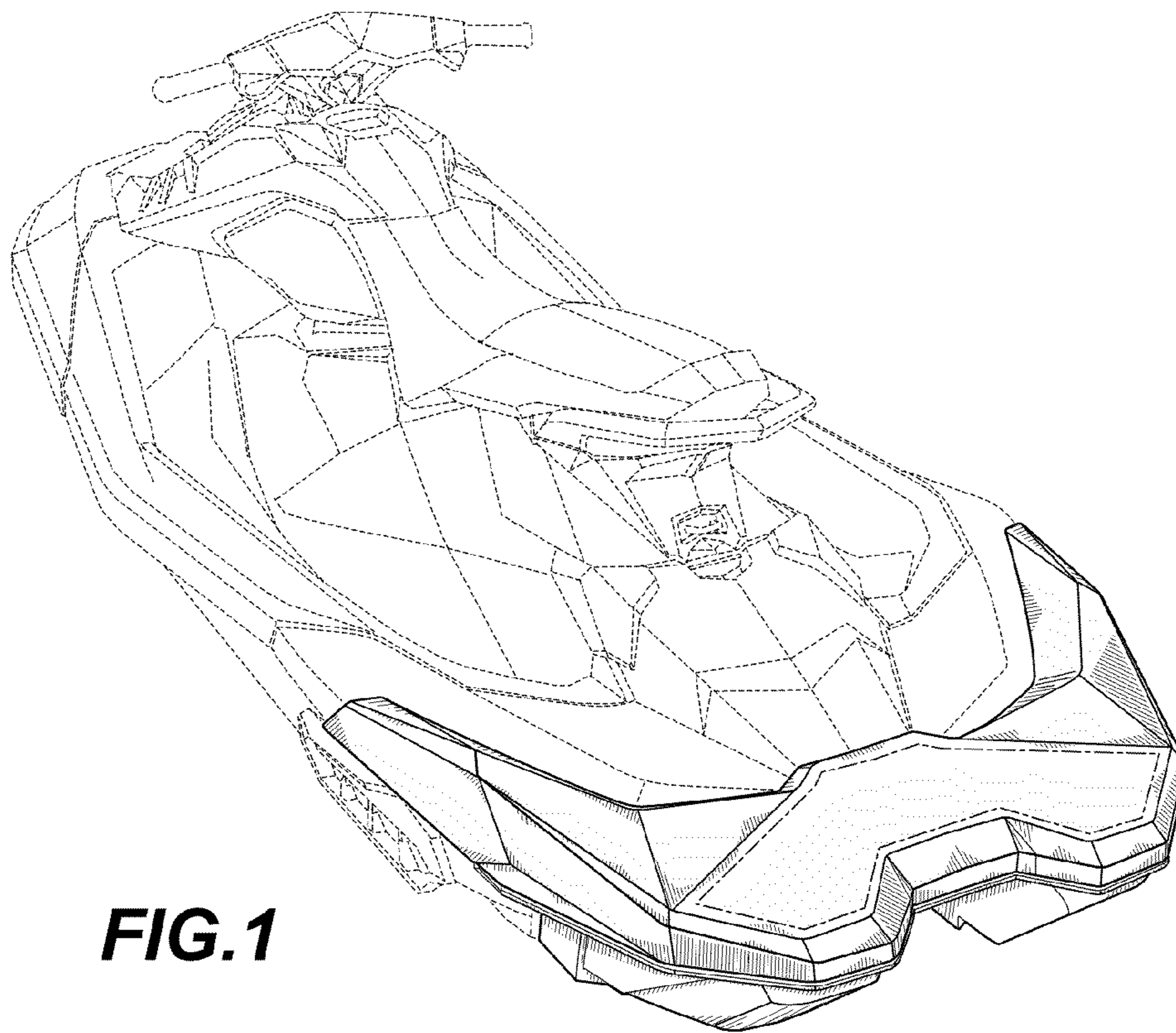
FOREIGN PATENT DOCUMENTS

EP 945336 A1 9/1999
 FR 2898329 A1 9/2007
 WO 8705273 A1 9/1987
 WO 9211181 A1 7/1992
 WO 2004089737 A1 10/2004
 WO 2005097589 A1 10/2005

OTHER PUBLICATIONS

U.S. Appl. No. 13/222,554, filed Aug. 31, 2011.

* cited by examiner



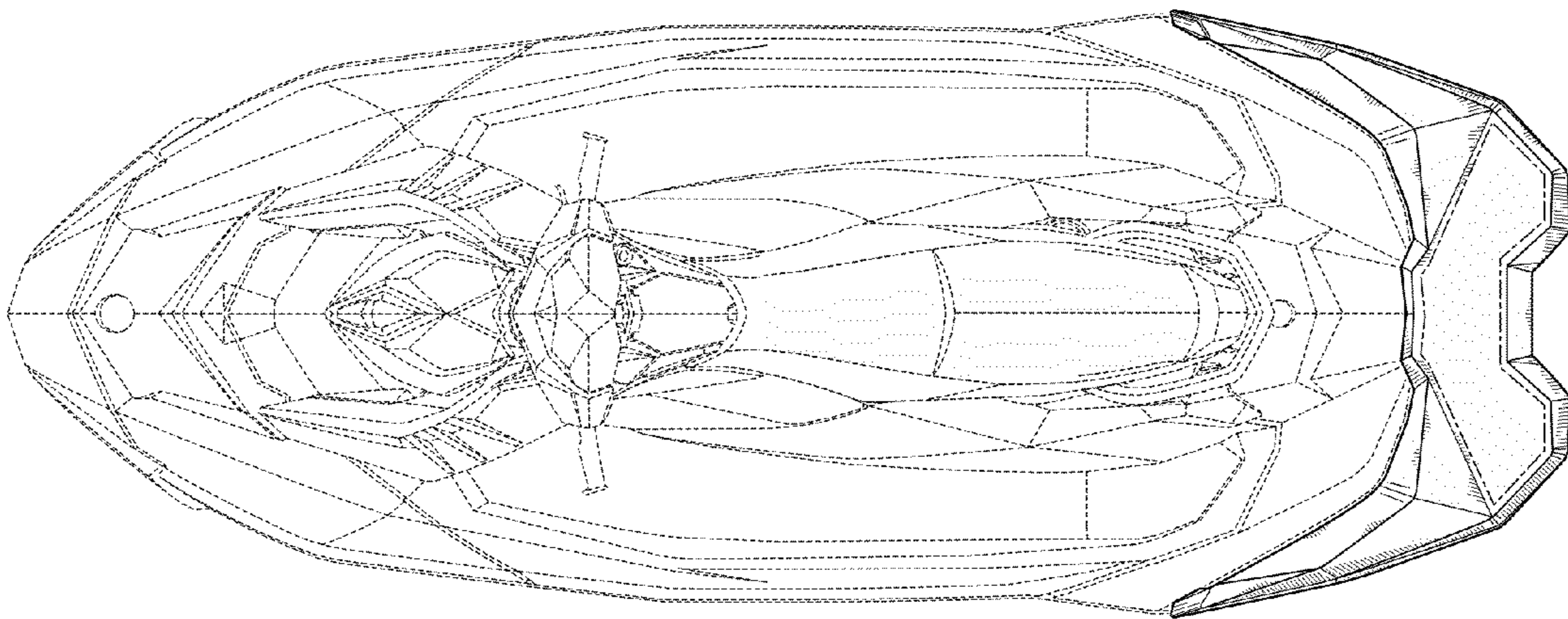


FIG.2

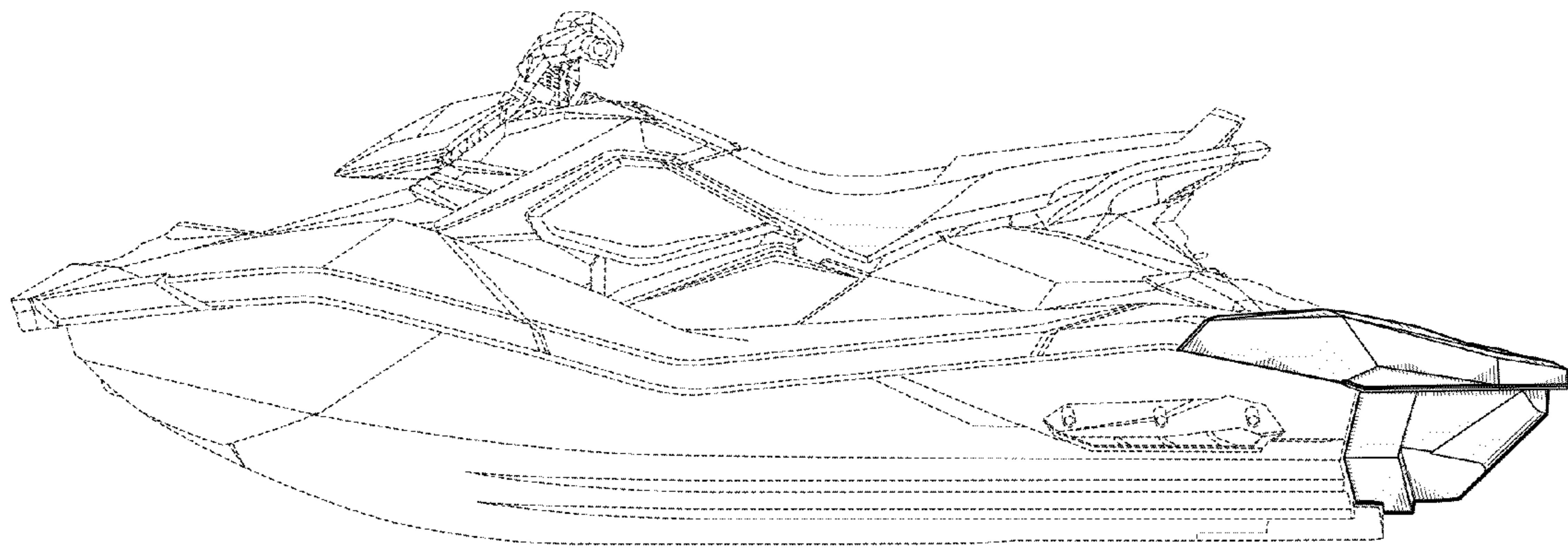


FIG. 3

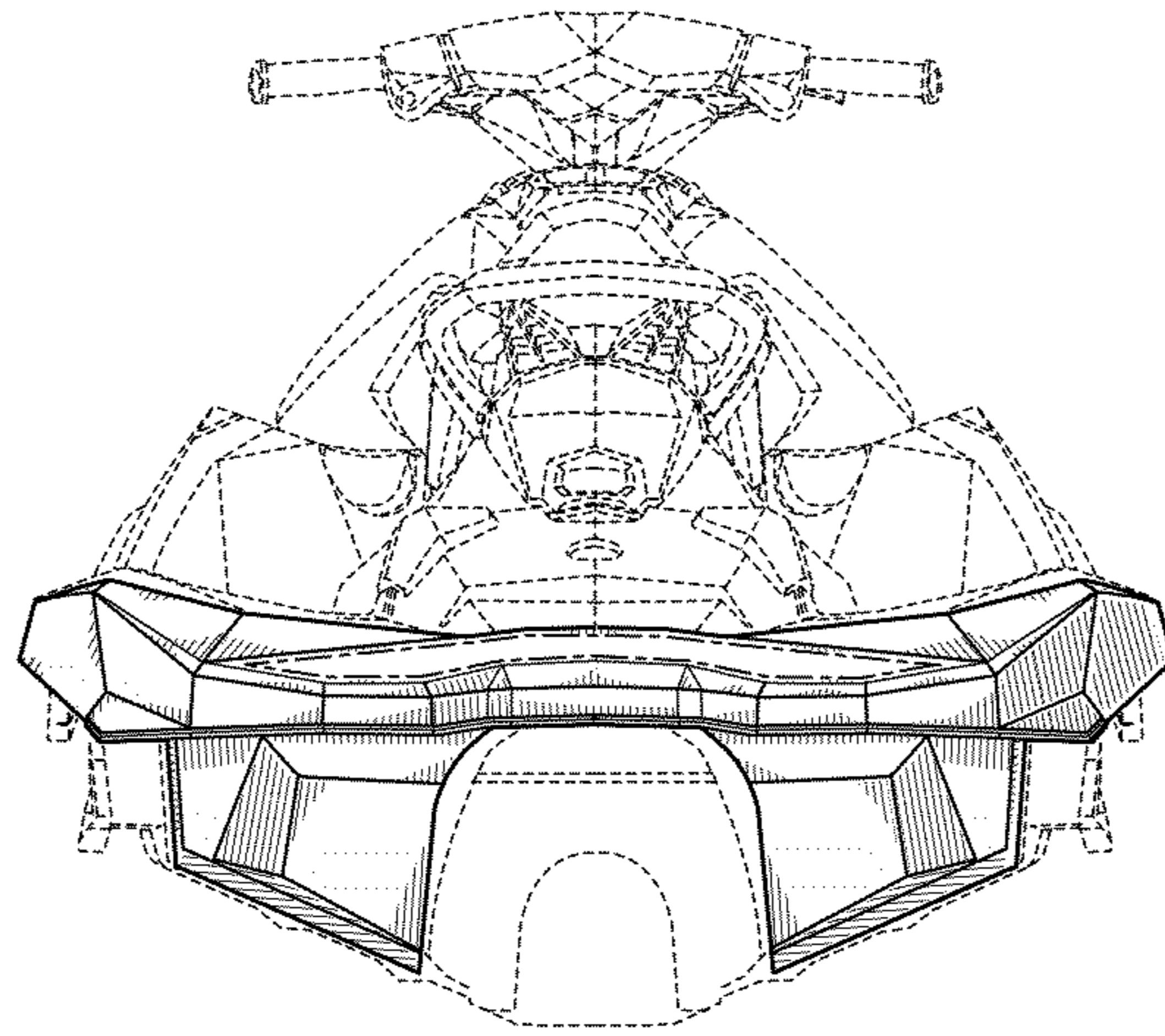


FIG.4

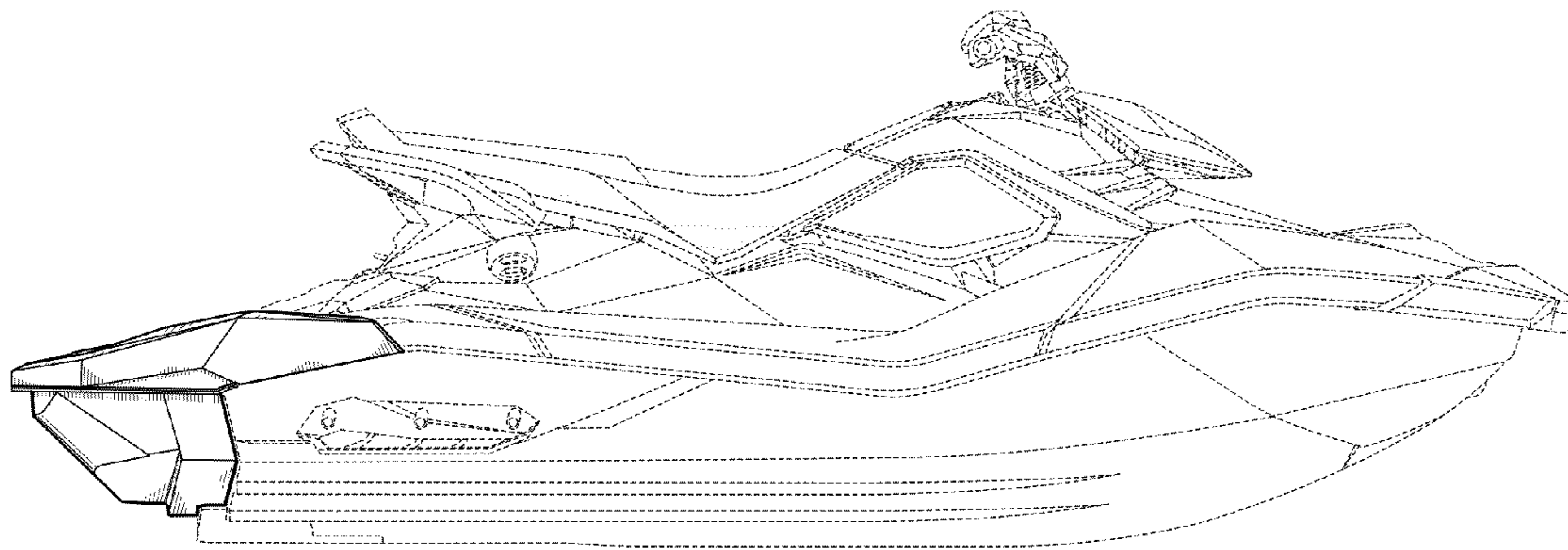


FIG.5

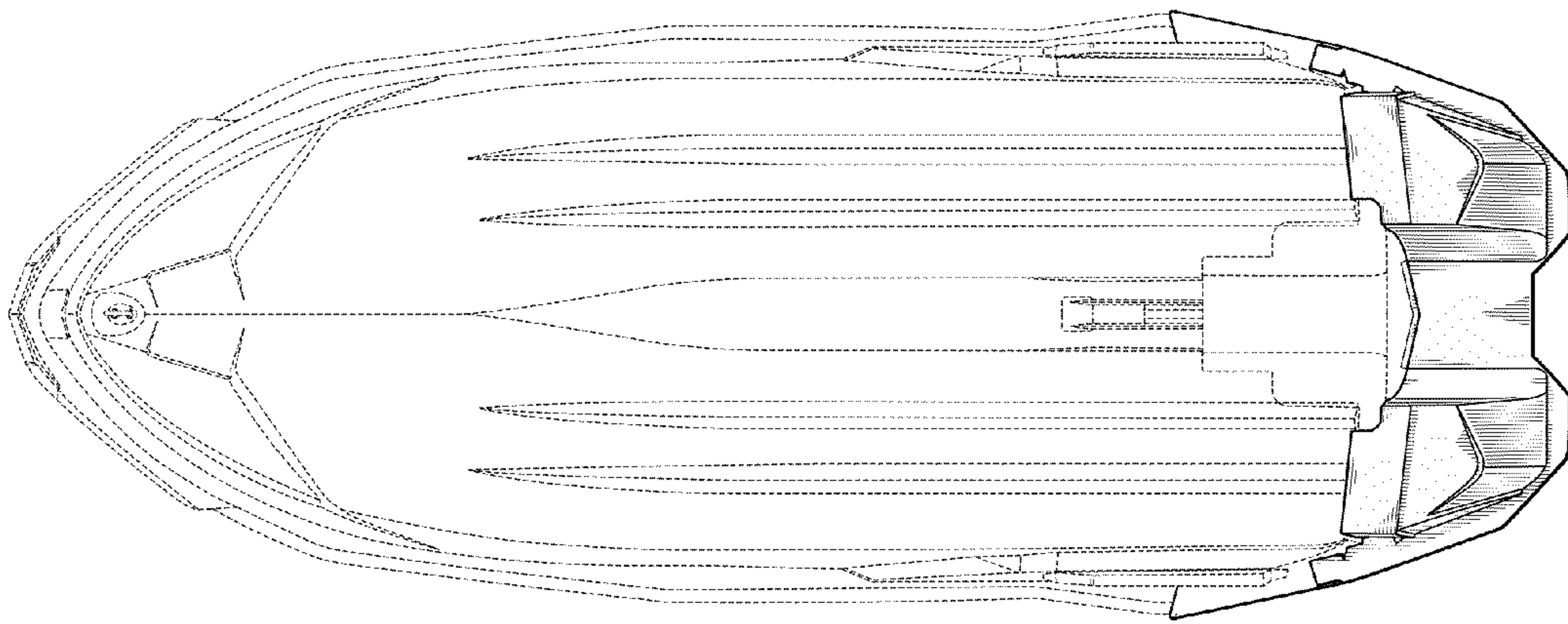


FIG.6