



US00D726632S

(12) **United States Design Patent**
Akita et al.

(10) **Patent No.:** **US D726,632 S**
(45) **Date of Patent:** **** Apr. 14, 2015**

(54) **STEERING HANDLE HOLDER FOR WATERCRAFT**

(71) Applicant: **Kawasaki Jukogyo Kabushiki Kaisha**,
Hyogo (JP)

(72) Inventors: **Kohei Akita**, Akashi (JP); **Norikazu Matsumura**, Akashi (JP)

(73) Assignee: **Kawasaki Jukogyo Kabushiki Kaisha**,
Hyogo (JP)

(**) Term: **14 Years**

(21) Appl. No.: **29/463,669**

(22) Filed: **Feb. 3, 2014**

(30) **Foreign Application Priority Data**

Aug. 28, 2013 (JP) 2013-019765

(51) **LOC (10) Cl.** **12-06**

(52) **U.S. Cl.**
USPC **D12/317; D12/307**

(58) **Field of Classification Search**
USPC D12/6-11, 300-318; 114/55.5,
114/55.51-55.58, 144 R, 151, 154, 345;
440/1, 40

See application file for complete search history.

(56) **References Cited**

U.S. PATENT DOCUMENTS

4,726,311 A * 2/1988 Niina 114/144 R
5,622,132 A * 4/1997 Mardikian 114/144 R
6,019,054 A * 2/2000 Hattori et al. 114/55.57
6,062,154 A * 5/2000 Ito 114/55.57
6,105,528 A * 8/2000 Kuroi et al. 114/154

6,202,583 B1 * 3/2001 Asakura 114/144 R
6,202,584 B1 * 3/2001 Madachi et al. 114/144 R
6,959,661 B2 * 11/2005 Nakajima et al. 114/144 R
7,017,507 B2 * 3/2006 Hattori et al. 114/144 R
7,430,466 B2 * 9/2008 Kaneko et al. 701/41
8,037,781 B2 * 10/2011 Curtin et al. 74/493
8,156,881 B2 * 4/2012 Ozaki et al. 114/144 R
8,347,802 B2 * 1/2013 Pereira 114/55.54
2007/0032142 A1 * 2/2007 Mizuno et al. 440/1
2009/0229504 A1 * 9/2009 Iwakami et al. 114/151
2010/0000458 A1 * 1/2010 Ozaki et al. 114/151
2010/0132603 A1 * 6/2010 Pereira 114/55.54

* cited by examiner

Primary Examiner — Cynthia M Chin

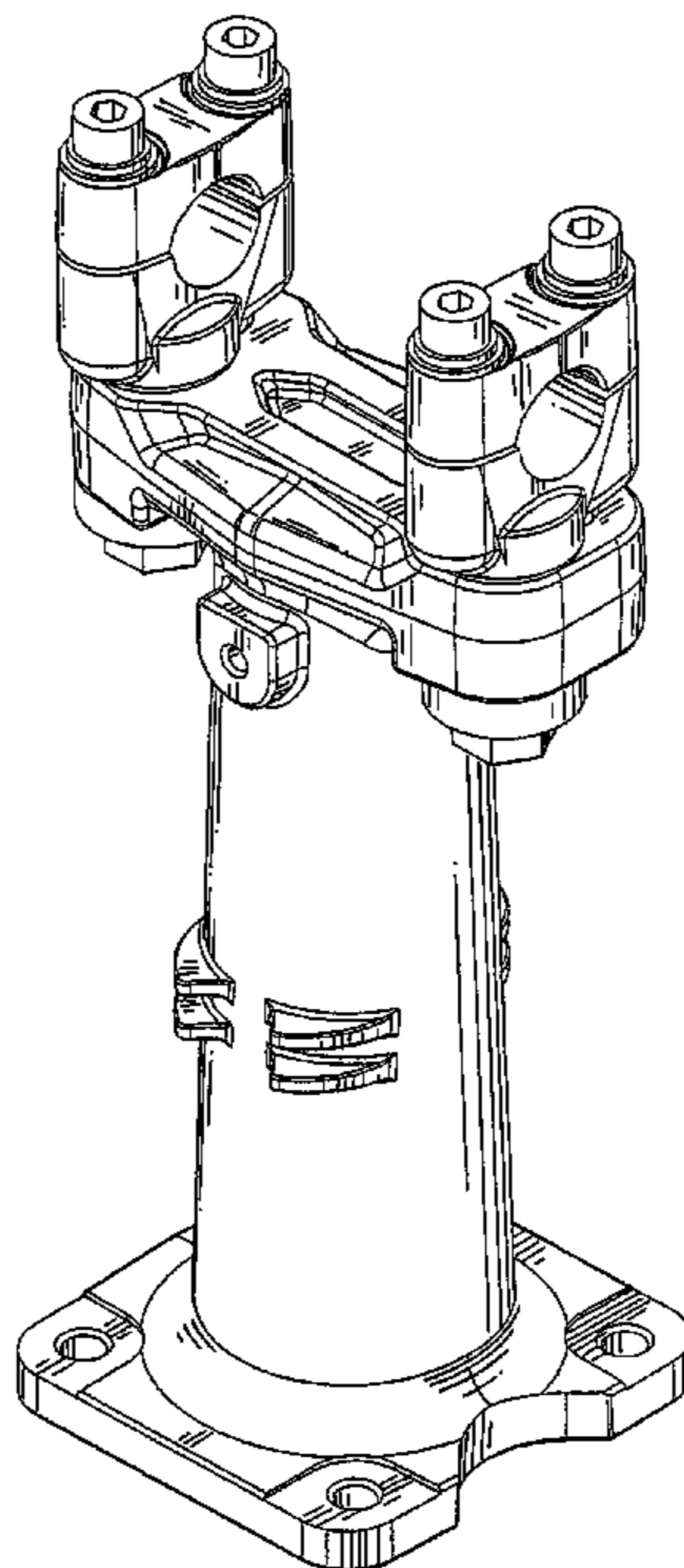
(57) **CLAIM**

The ornamental design for a steering handle holder for watercraft, as shown and described.

DESCRIPTION

FIG. 1 is a front elevational view of a steering handle holder for watercraft showing our new design;
FIG. 2 is a rear elevational view thereof;
FIG. 3 is a left side elevational view thereof;
FIG. 4 is a right side elevational view thereof;
FIG. 5 is a top plan view thereof;
FIG. 6 is a bottom plan view thereof;
FIG. 7 is a front left perspective view thereof;
FIG. 8 is a rear left perspective view thereof;
FIG. 9 is a front right perspective view thereof; and,
FIG. 10 is a rear right perspective view thereof.
The dotted concentric circles on FIG. 6 do not form any part of the design invention of the present application.
The subject steering handle holder is installed onto watercrafts to support a steering handle.

1 Claim, 9 Drawing Sheets



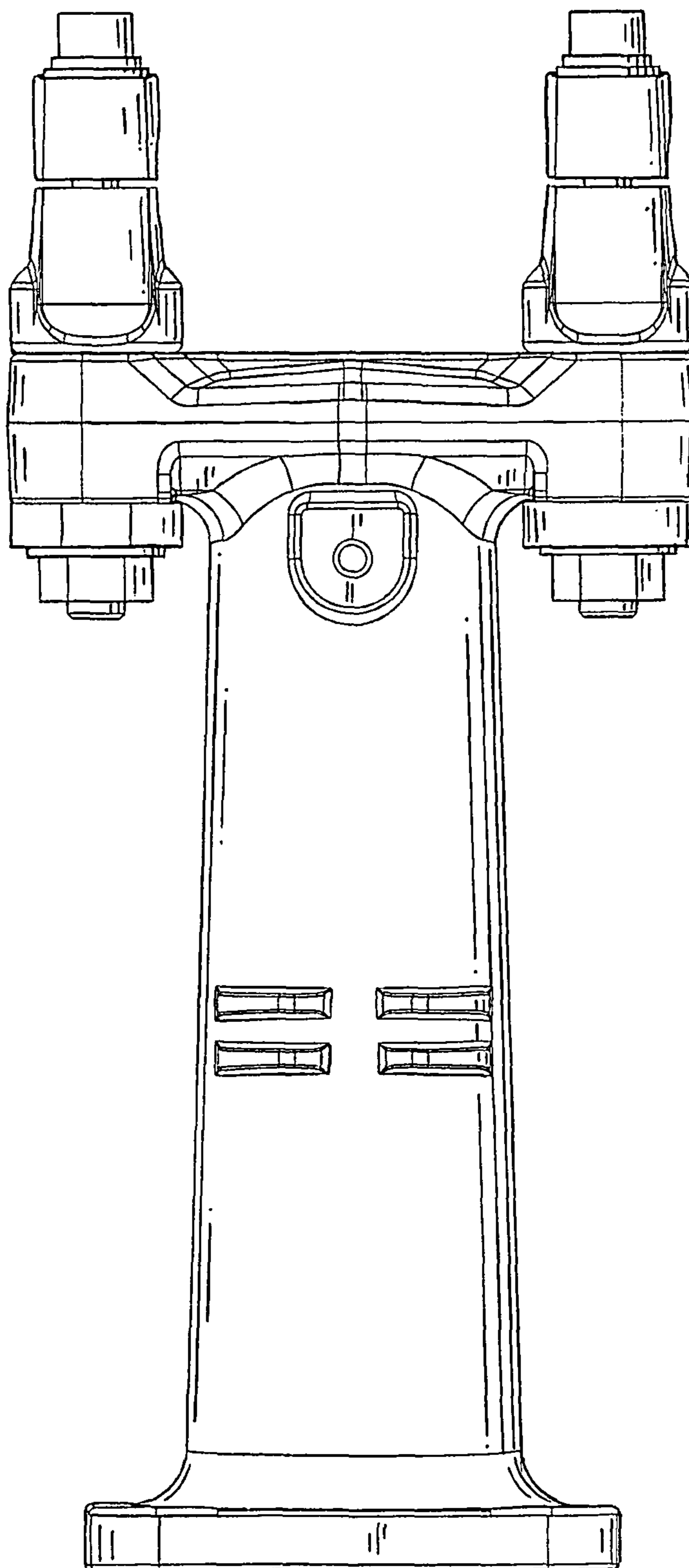


FIG. 1

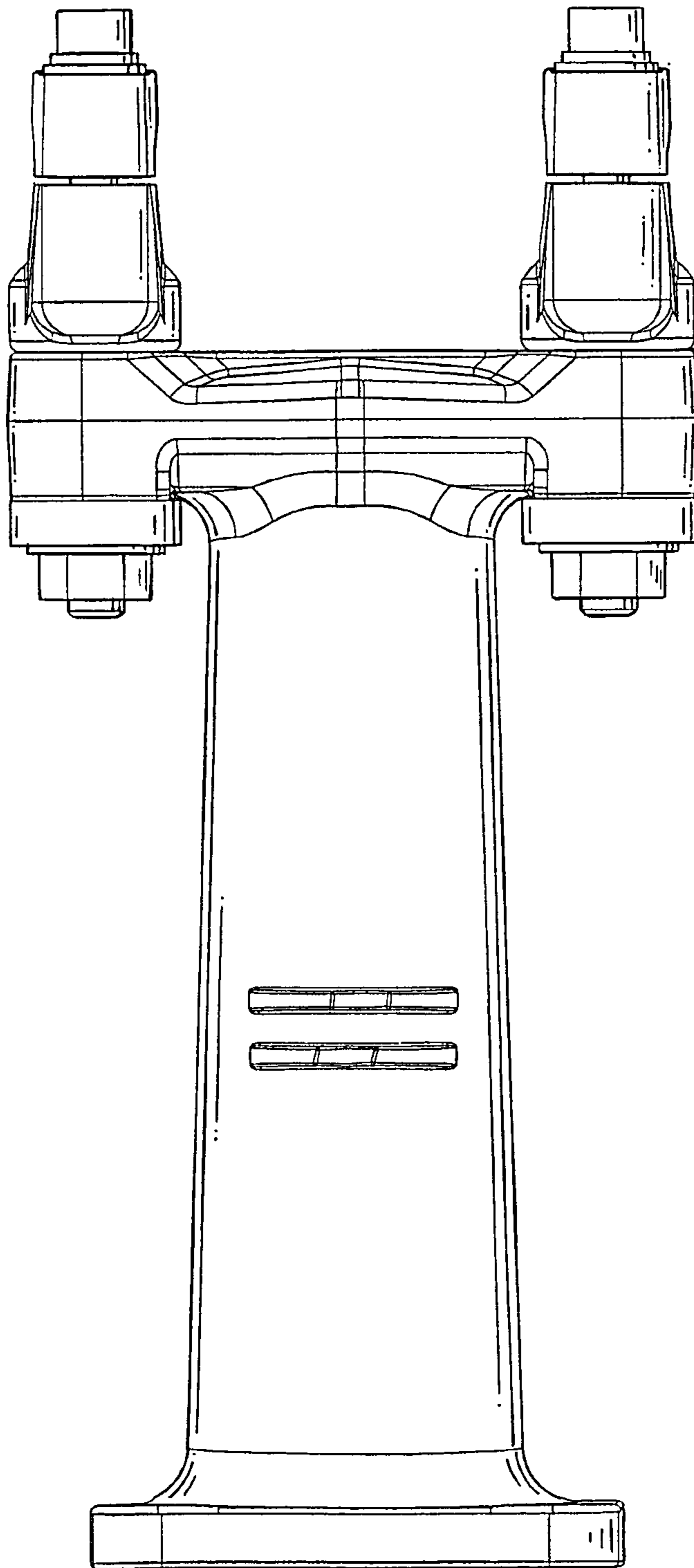


FIG. 2

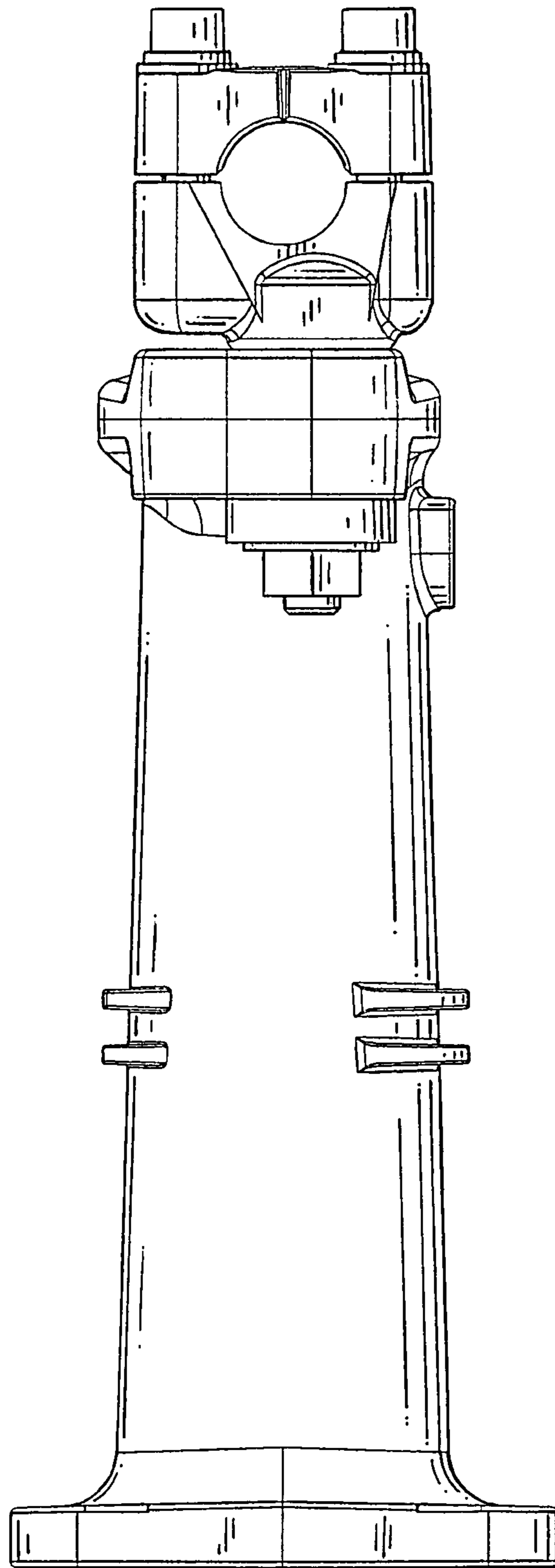


FIG. 3

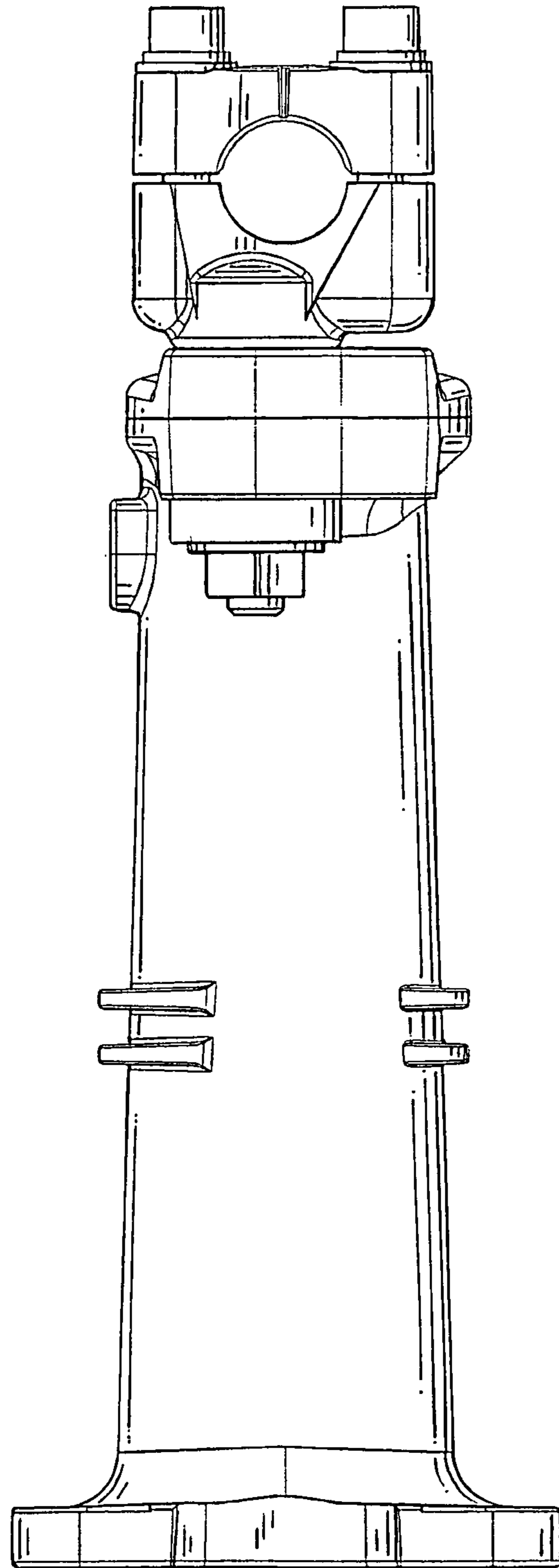


FIG. 4

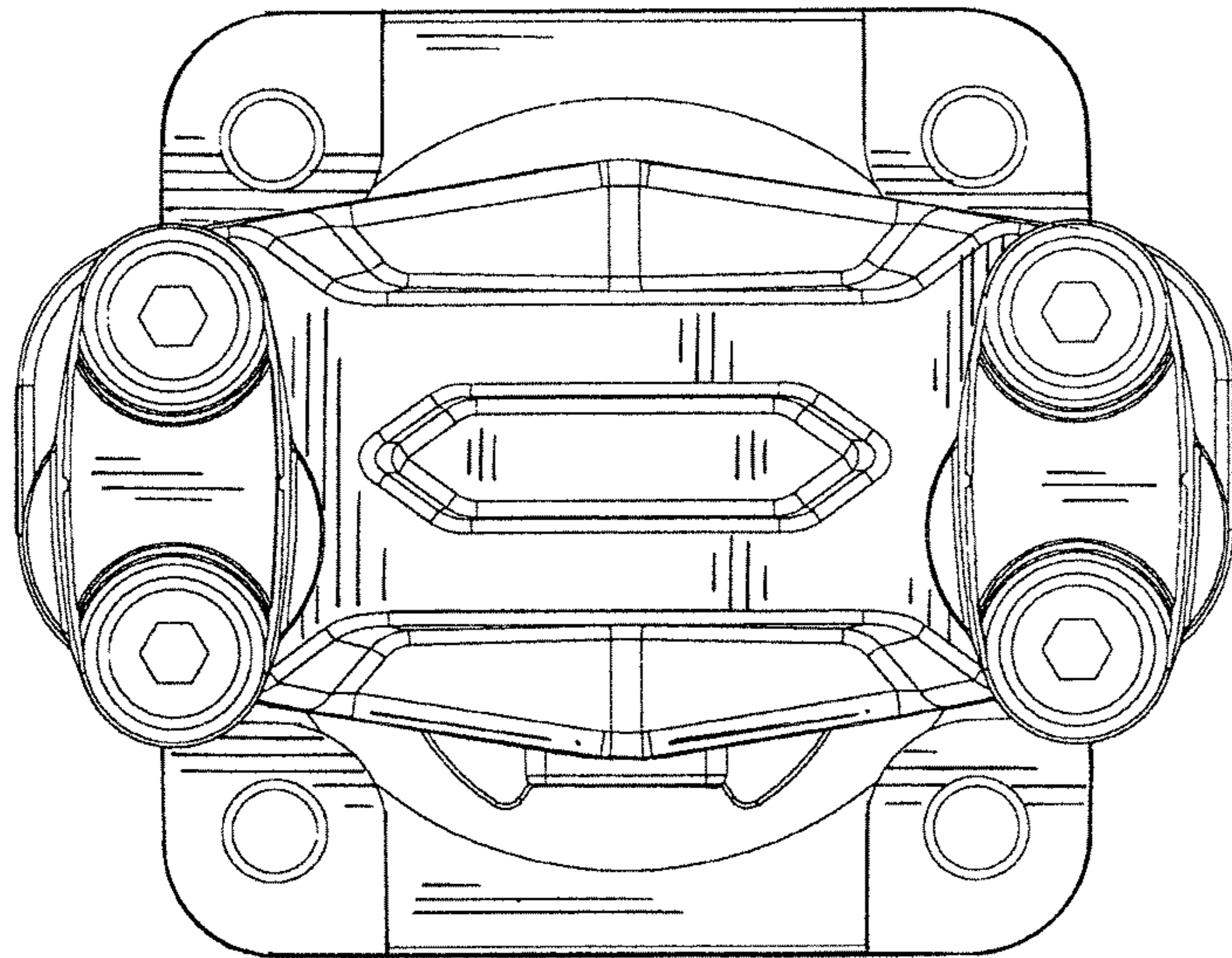


FIG. 5

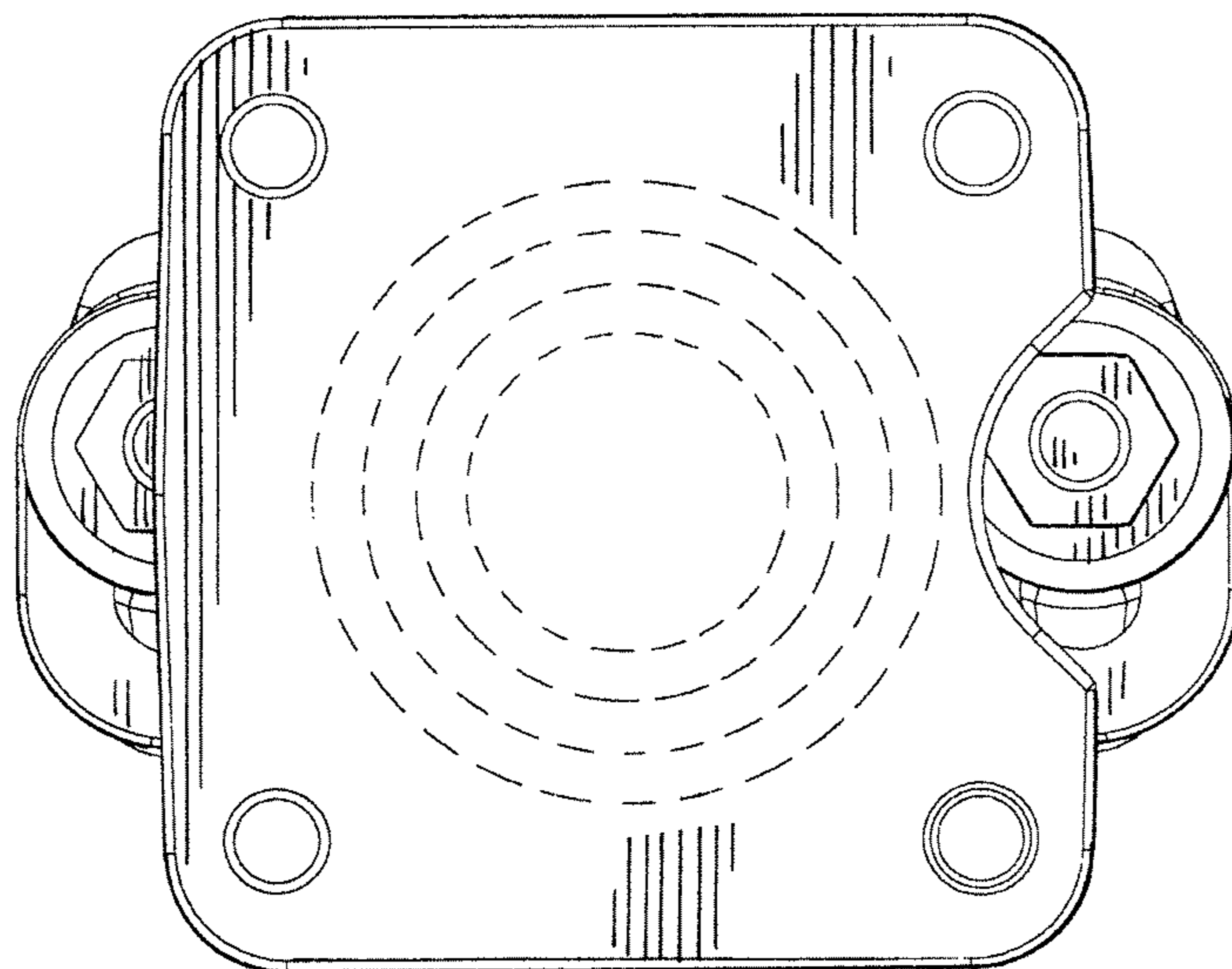


FIG. 6

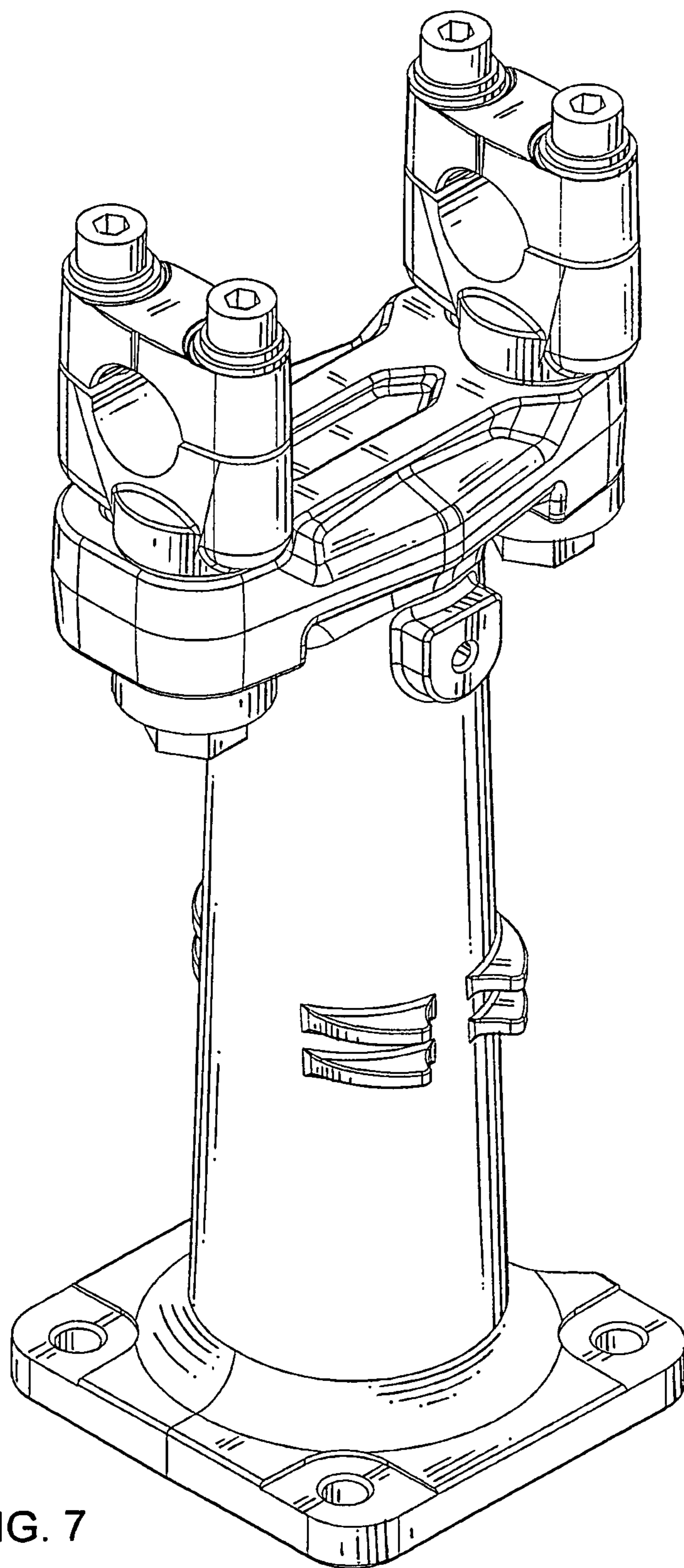


FIG. 7

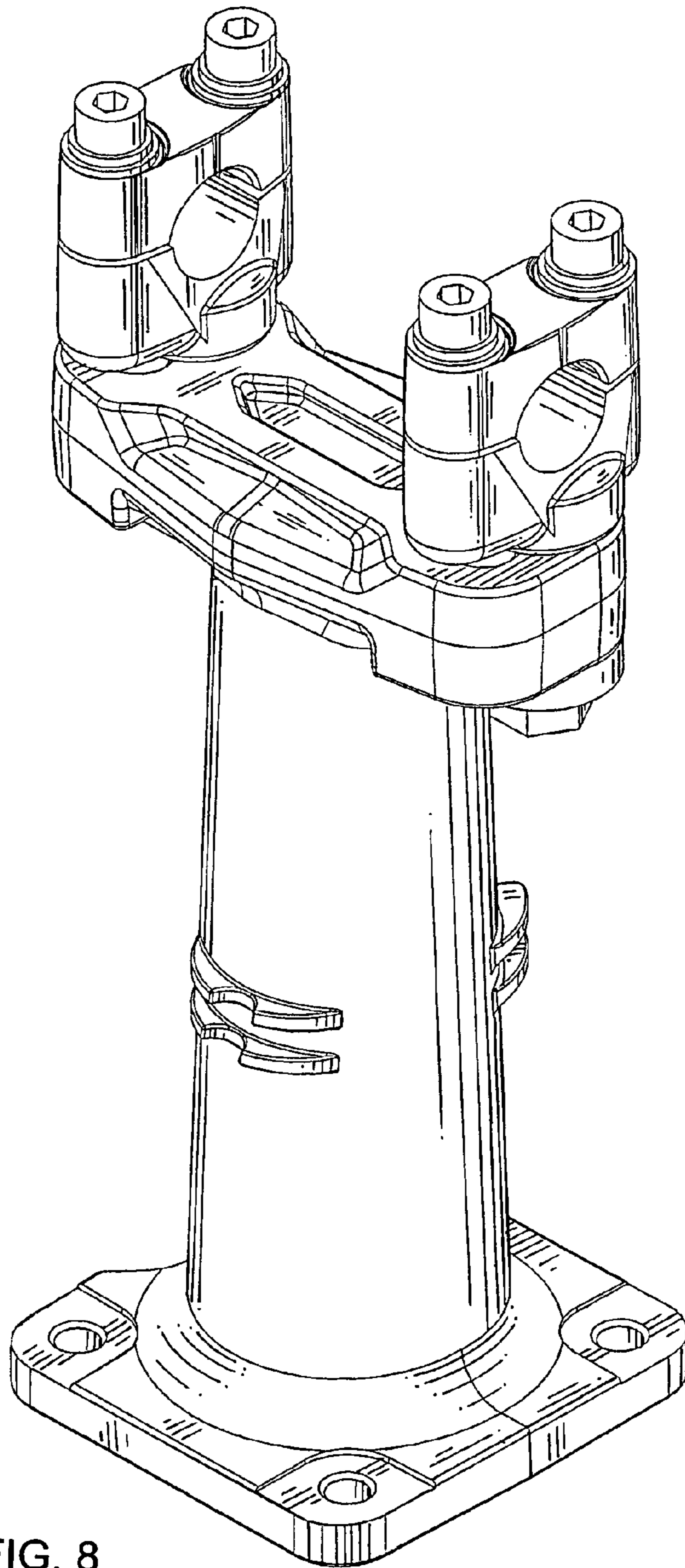


FIG. 8

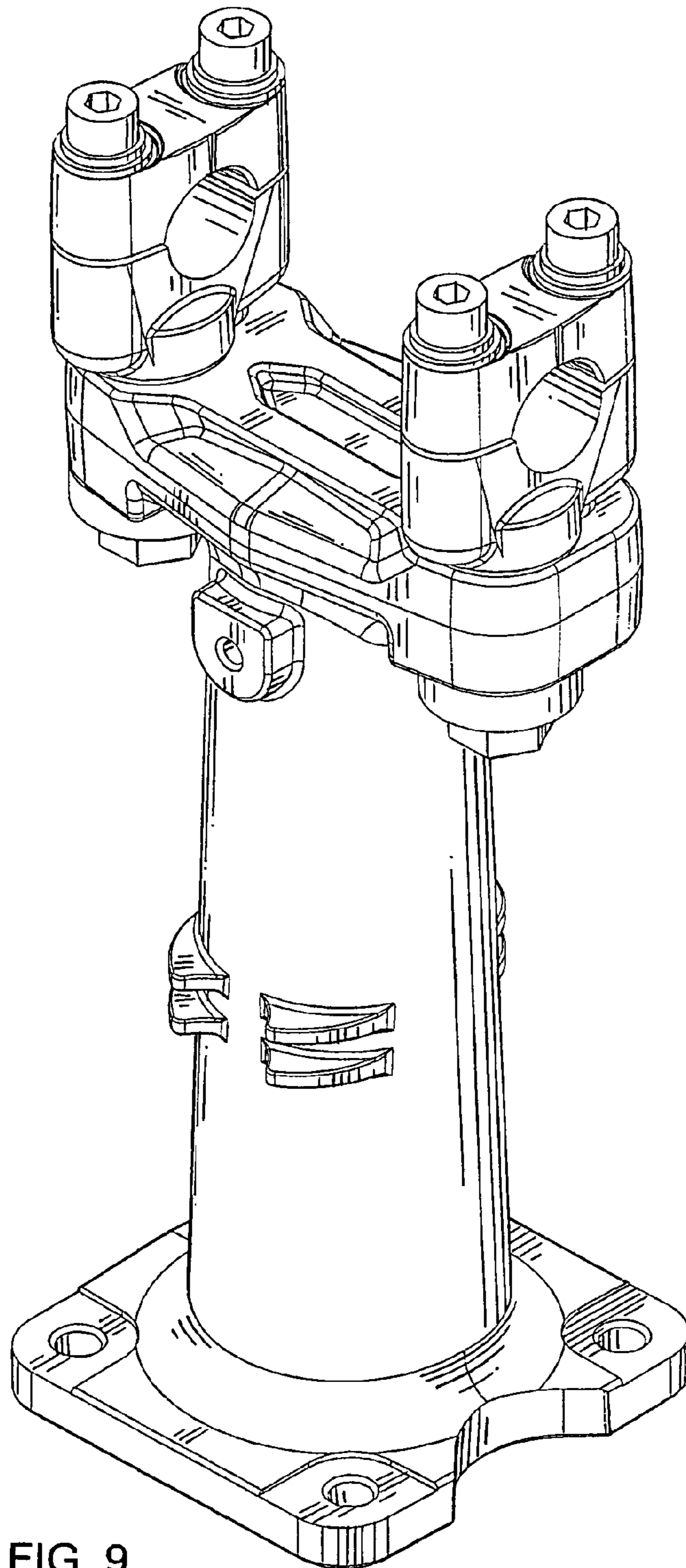


FIG. 9

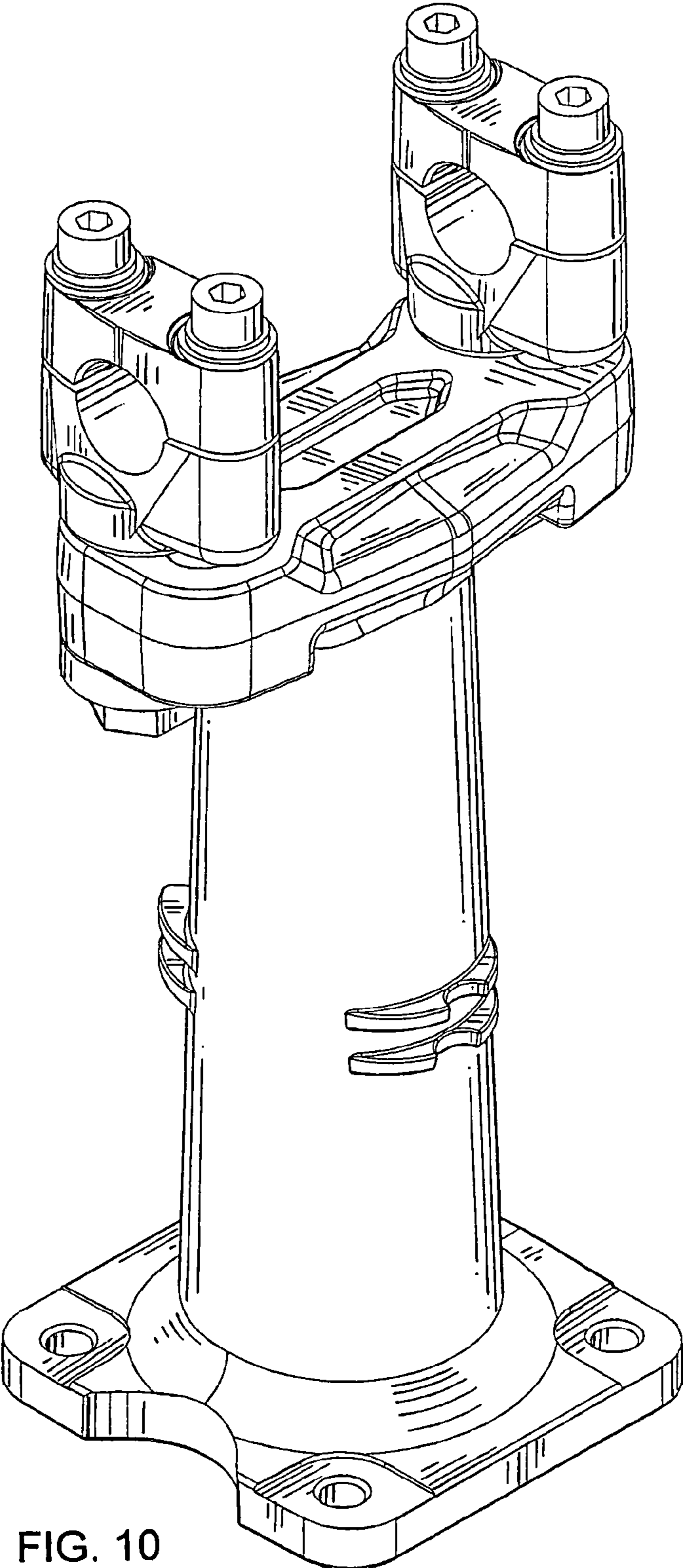


FIG. 10