



US00D726631S

(12) **United States Design Patent**  
**Widgery**

(10) **Patent No.:** **US D726,631 S**

(45) **Date of Patent:** **\*\* Apr. 14, 2015**

(54) **WARNING WHIP BASE AND CONNECTOR**

(71) Applicant: **Checkers Industrial Products, LLC,**  
Broomfield, CO (US)

(72) Inventor: **Greg Widgery,** Westminster, CO (US)

(73) Assignee: **Checkers Industrial Products, LLC,**  
Broomfield, CO (US)

(\*\*) Term: **14 Years**

(21) Appl. No.: **29/432,960**

(22) Filed: **Sep. 24, 2012**

(51) **LOC (10) Cl.** ..... **12-06**

(52) **U.S. Cl.**  
USPC ..... **D12/223; D14/238**

(58) **Field of Classification Search**  
USPC ..... D13/133; D12/223; D14/230, 232, 238;  
D8/349; 343/900, 715, 749, 895  
See application file for complete search history.

(56) **References Cited**

**U.S. PATENT DOCUMENTS**

4,106,024	A *	8/1978	Nijman	343/715
D249,458	S *	9/1978	Olsen	D8/349
4,128,840	A *	12/1978	Tucker	343/715
4,238,800	A *	12/1980	Newington	343/715
4,242,684	A *	12/1980	Wolverton	343/715
4,266,227	A *	5/1981	Blaese	343/715
D261,768	S *	11/1981	Metz	D14/238
4,540,989	A *	9/1985	Day, Jr.	343/900
4,567,487	A *	1/1986	Creaser, Jr.	343/900
4,829,311	A *	5/1989	Wells	343/749
4,914,450	A *	4/1990	Dilley et al.	343/895
5,061,940	A *	10/1991	Blaese	343/715
5,072,230	A *	12/1991	Taniyoshi et al.	343/715
5,179,387	A *	1/1993	Wells	343/895
D333,661	S *	3/1993	Elliott et al.	D14/236
D337,988	S *	8/1993	Wright	D13/133
D337,990	S *	8/1993	Wright	D13/133
5,451,968	A *	9/1995	Emery	343/749

D367,480	S *	2/1996	Bacnik	D14/230
D373,769	S *	9/1996	Whitehouse	D14/238
5,583,520	A *	12/1996	Thill	343/702
D382,565	S *	8/1997	Martinson et al.	D14/230
D387,774	S *	12/1997	Mosser	D14/238
D442,170	S *	5/2001	Mou	D14/238
6,402,745	B1 *	6/2002	Wilk	606/41
6,404,396	B1 *	6/2002	Hung et al.	343/749
6,429,821	B1 *	8/2002	Lewis, Jr.	343/749
D506,995	S *	7/2005	Wilson	D14/230
7,095,375	B2 *	8/2006	Kfoury et al.	343/702
D581,404	S *	11/2008	Chasmar	D14/232
D649,140	S *	11/2011	Spatter et al.	D14/230
8,436,781	B1 *	5/2013	Miller	343/873
8,581,797	B2 *	11/2013	Lill et al.	343/793

(Continued)

*Primary Examiner* — Sheryl Lane

(74) *Attorney, Agent, or Firm* — Holland & Hart

(57) **CLAIM**

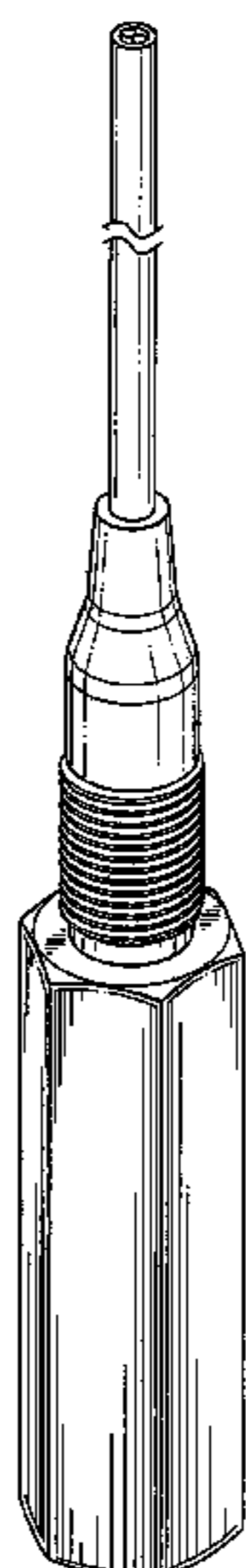
The ornamental design for a warning whip base and connector, as shown and described.

**DESCRIPTION**

FIG. 1 is a perspective view of a warning whip base and connector in accordance with the present disclosure;  
 FIG. 2 is another perspective view thereof;  
 FIG. 3 is a front view thereof;  
 FIG. 4 is a rear view thereof;  
 FIG. 5 is a right side view thereof;  
 FIG. 6 is a left side view thereof;  
 FIG. 7 is a top view thereof;  
 FIG. 8 is a bottom view thereof;  
 FIG. 9 is an exploded perspective view thereof;  
 FIG. 10 is another exploded perspective view thereof;  
 FIG. 11 is a partially exploded perspective view thereof; and,  
 FIG. 12 is a cross-sectional view thereof, taken from the line 12-12 in FIG. 7.

The drawings of FIGS. 1 and 2 are shown with an illustrative break in the article. The space between the break lines forms no part of the claimed design.

**1 Claim, 7 Drawing Sheets**



# US D726,631 S

Page 2

---

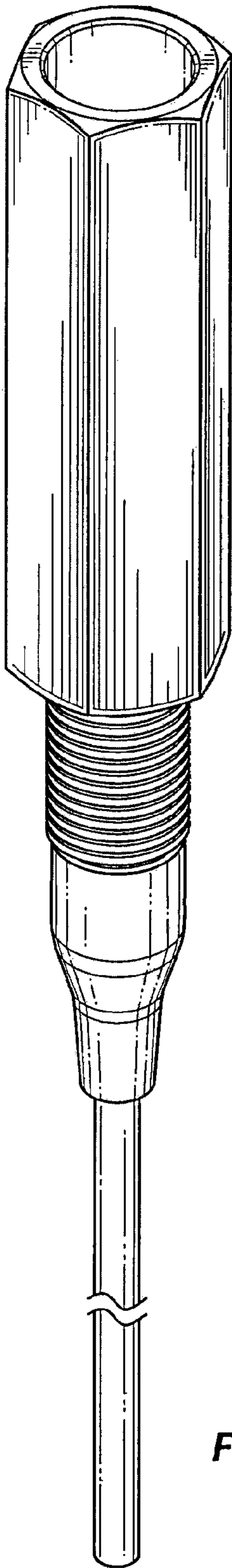
(56)

## References Cited

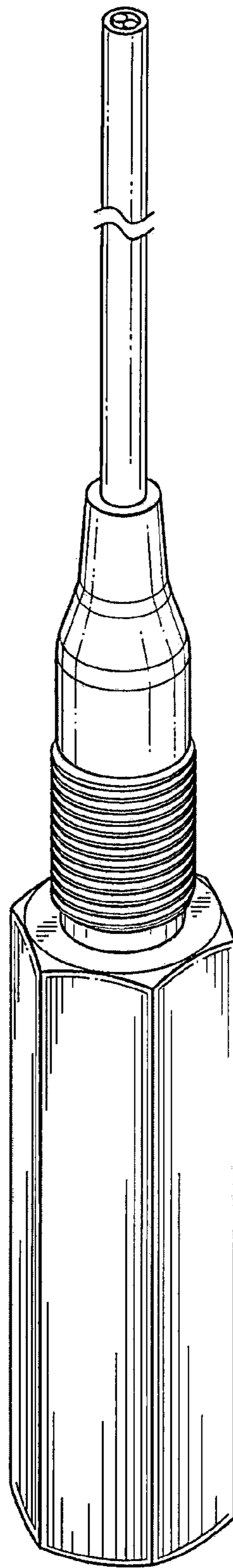
### U.S. PATENT DOCUMENTS

D702,637 S *	4/2014	Rayner .....	D13/133
D708,578 S *	7/2014	Yoo et al. ....	D13/133
8,773,325 B2 *	7/2014	Chiang .....	343/872
D696,231 S *	12/2013	Konishi .....	D14/230

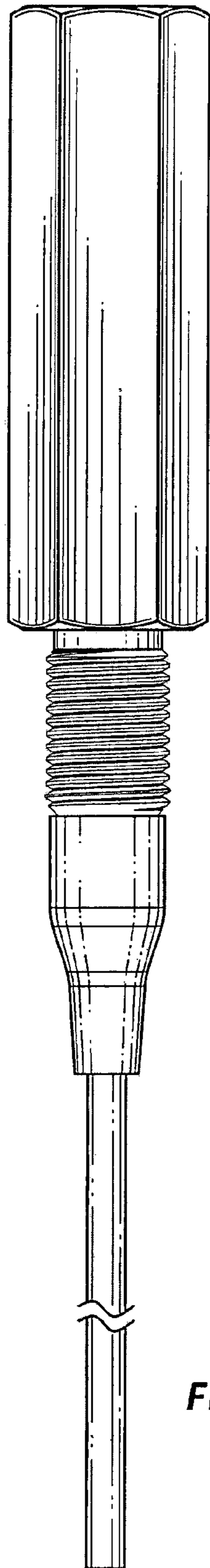
\* cited by examiner



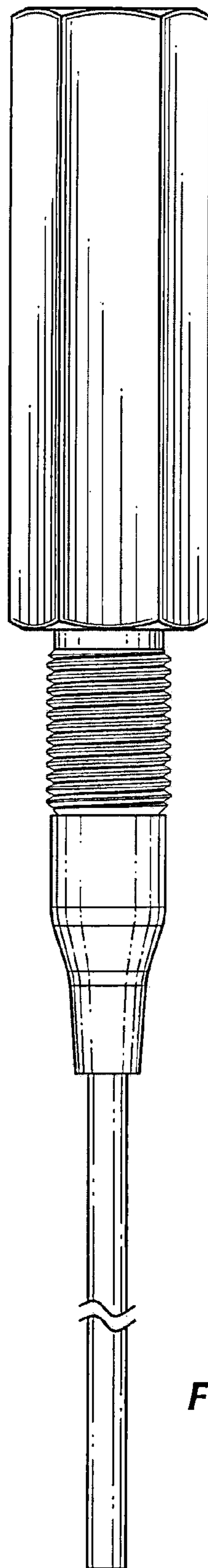
**FIG. 1**



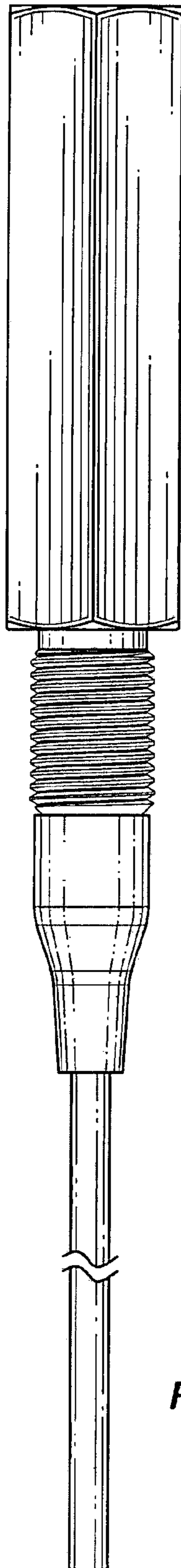
**FIG. 2**



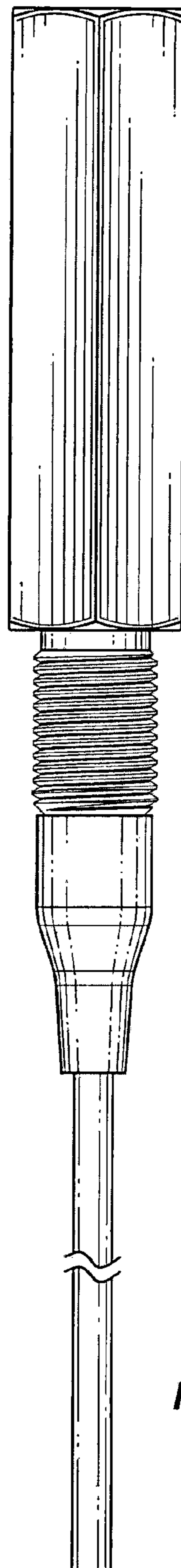
**FIG. 3**



**FIG. 4**

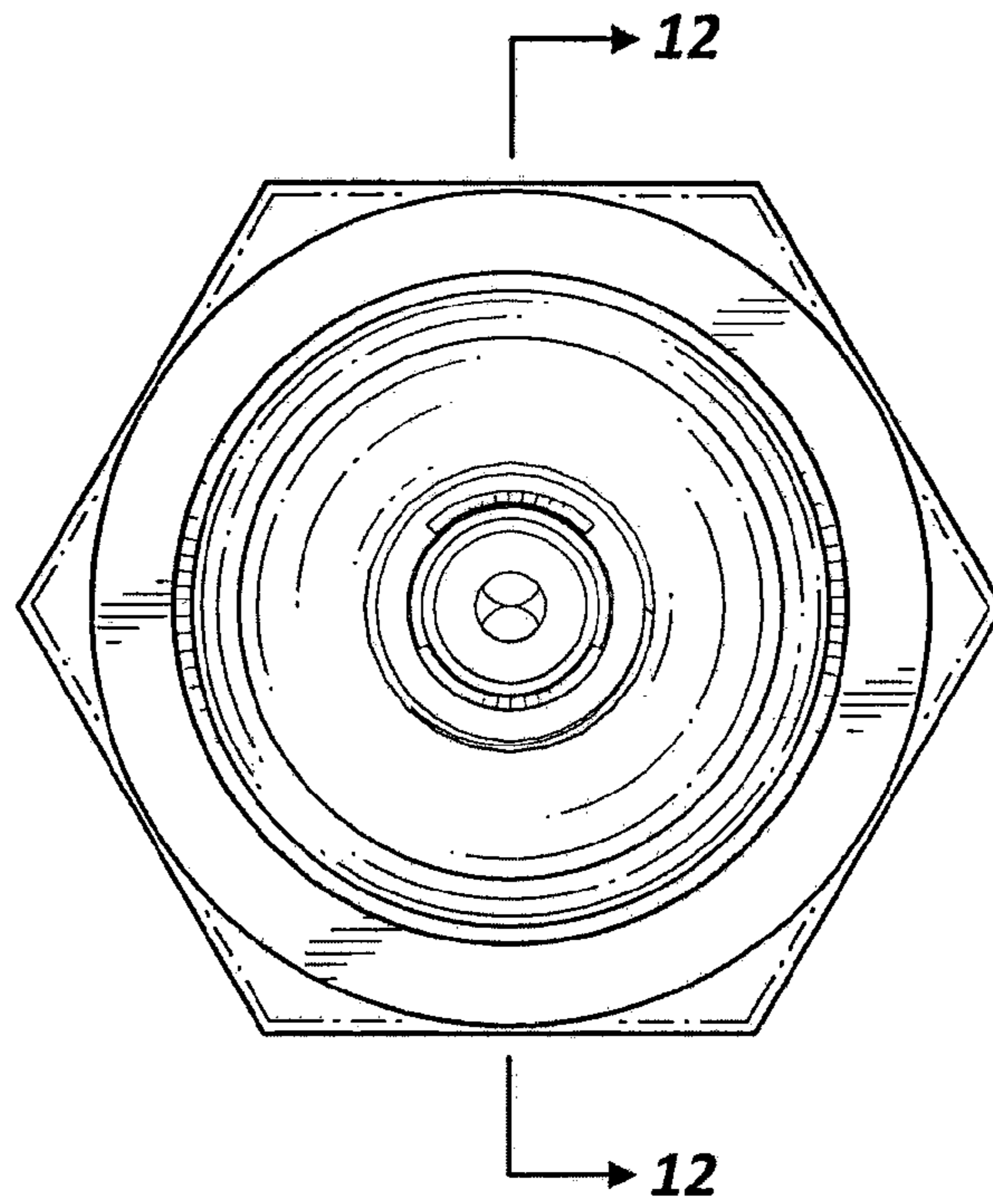


**FIG. 5**

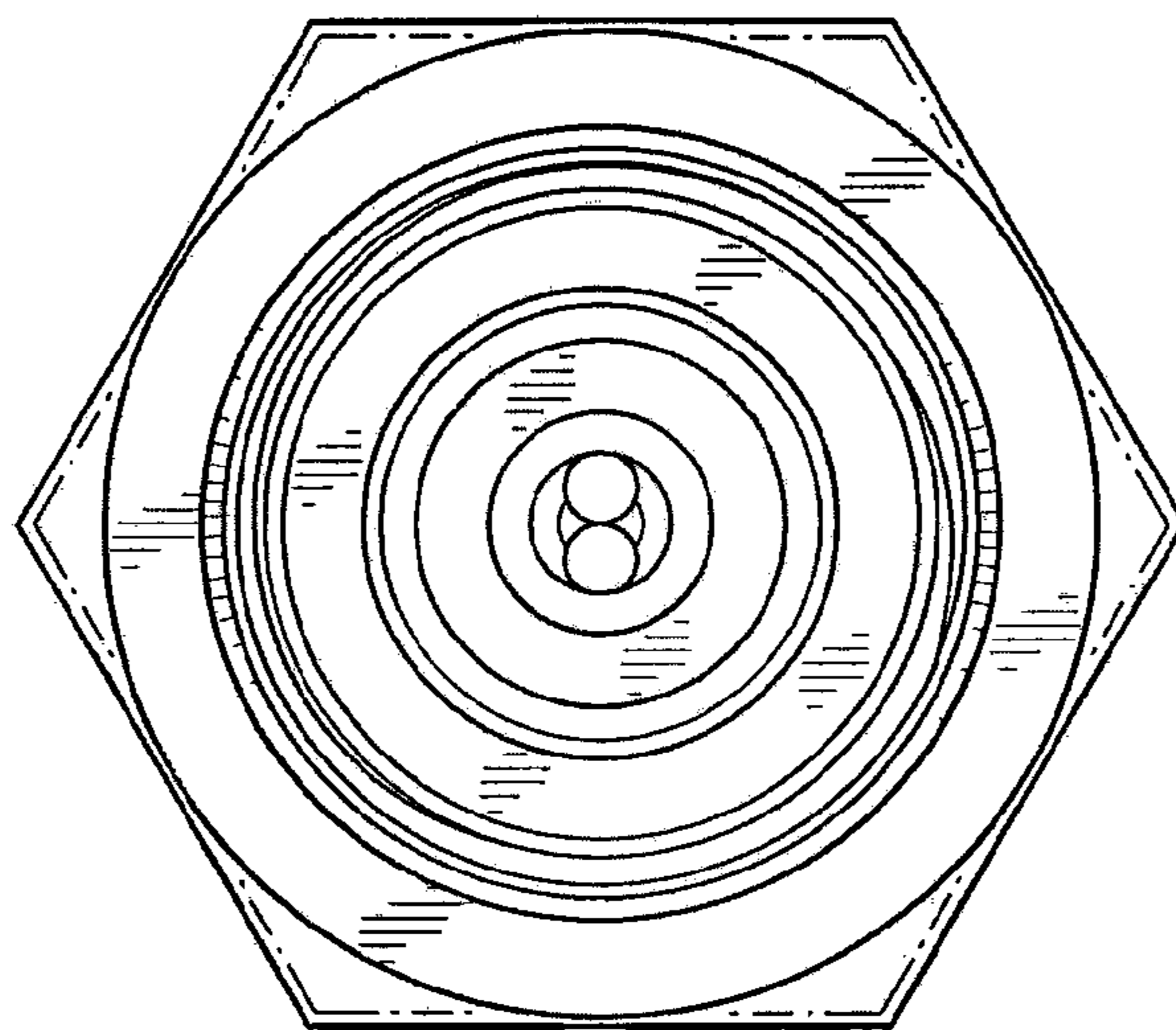


**FIG. 6**

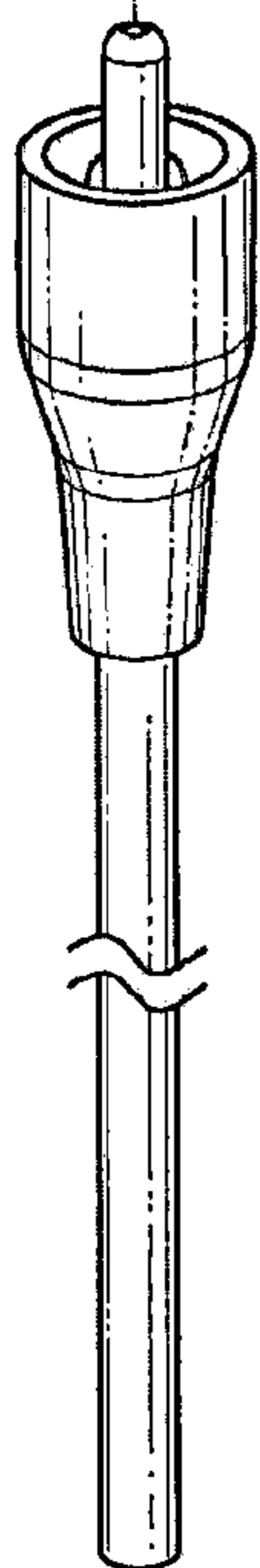
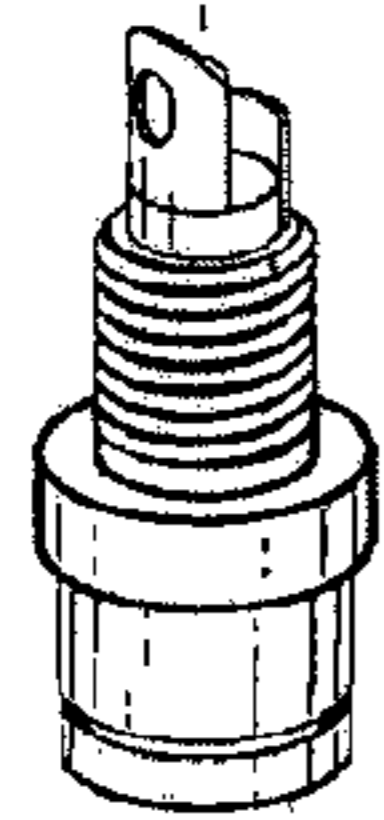
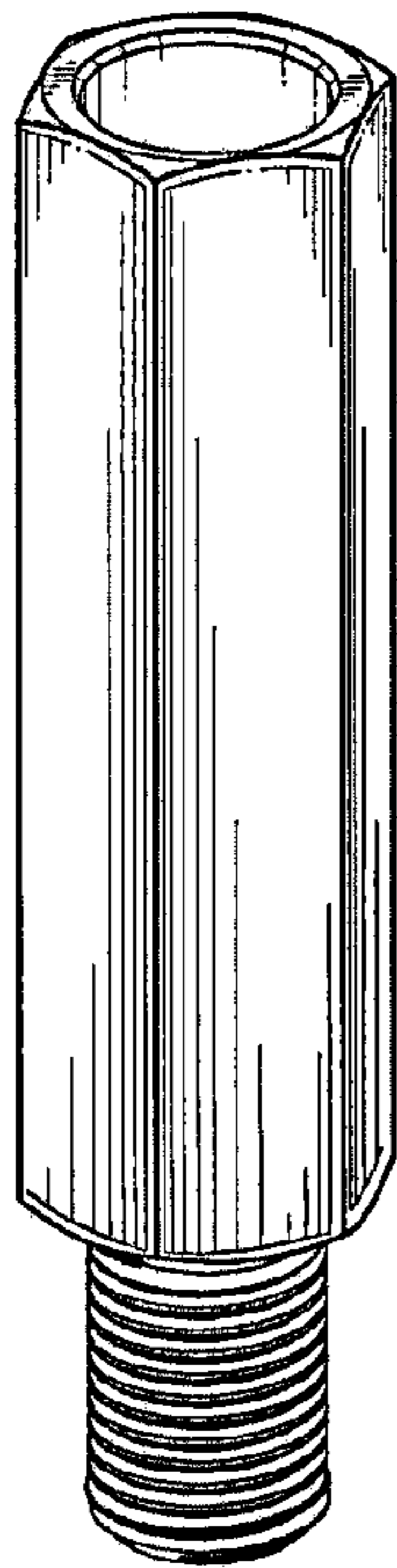




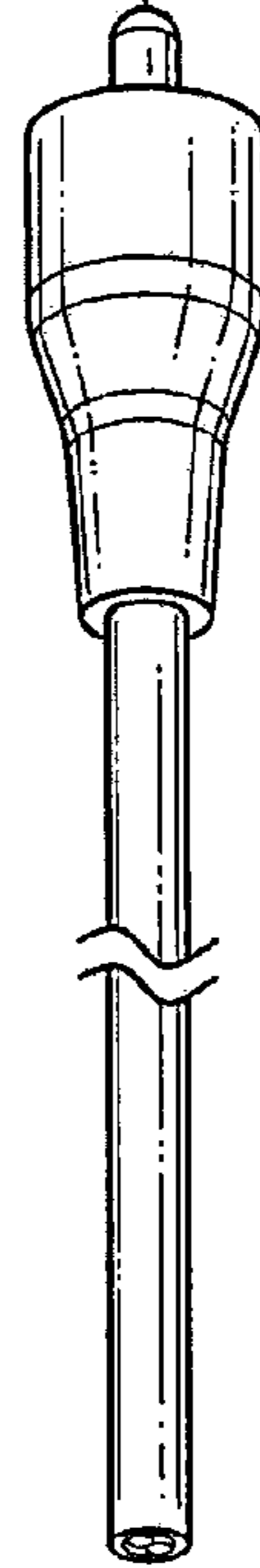
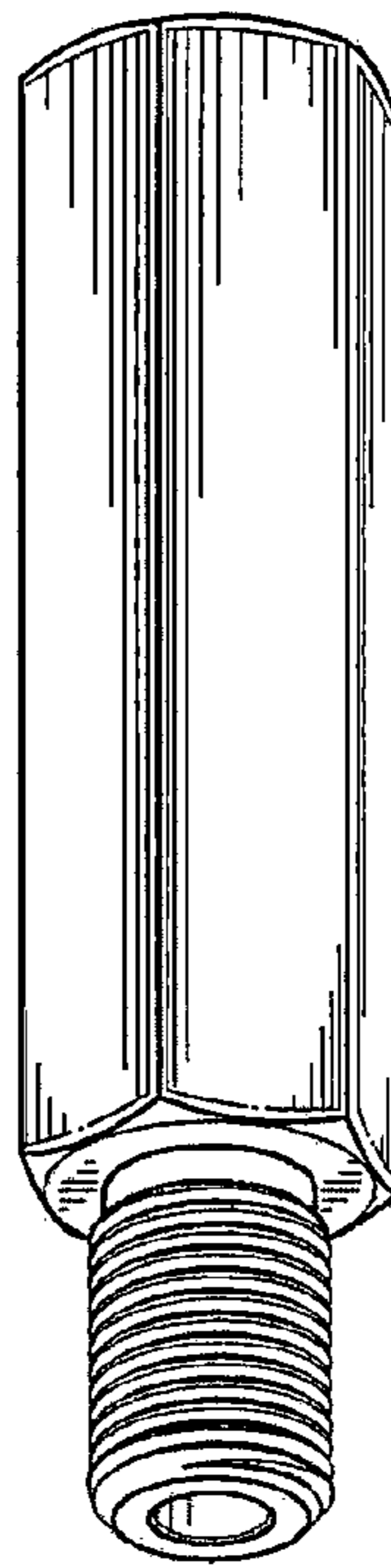
**FIG. 7**  
*(X3 Scale)*



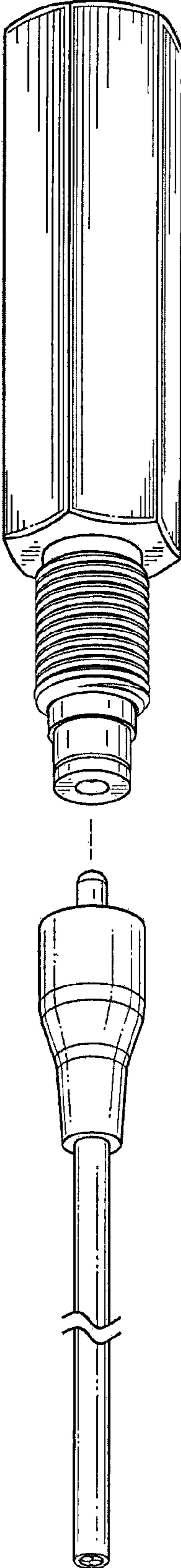
**FIG. 8**  
*(X3 Scale)*



**FIG. 9**

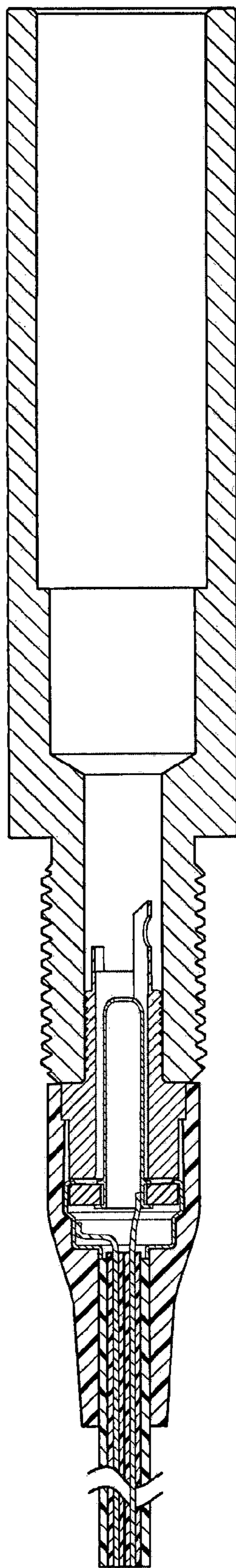


**FIG. 10**



**FIG. 11**





**FIG. 12**