

US00D726630S

(12) **United States Design Patent**  
**Kong**

(10) **Patent No.:** **US D726,630 S**

(45) **Date of Patent:** **\*\* Apr. 14, 2015**

(54) **VEHICLE WHEEL**

(71) Applicant: **Wheel Pros, LLC**, Greenwood Village,  
CO (US)

(72) Inventor: **Yee Wan Kong**, Anaheim, CA (US)

(73) Assignee: **Wheel Pros, LLC**

(\*\*) Term: **14 Years**

(21) Appl. No.: **29/504,358**

(22) Filed: **Oct. 5, 2014**

(51) **LOC (10) Cl.** ..... **12-16**

(52) **U.S. Cl.**  
USPC ..... **D12/211**

(58) **Field of Classification Search**  
CPC ..... B60B 7/00; B60B 7/02; B60B 7/04;  
B60B 7/01; B60B 7/06; B60B 3/02; B60B  
3/04; B60B 3/06; B60B 3/10; B60B 1/00;  
B60B 1/08; B60B 1/10; B60B 1/12  
USPC ..... D12/204-213  
See application file for complete search history.

(56) **References Cited**

**U.S. PATENT DOCUMENTS**

D417,427 S \* 12/1999 Brown ..... D12/211  
D474,440 S \* 5/2003 Oh ..... D12/211  
D480,036 S \* 9/2003 Laengerer ..... D12/211

D496,320 S \* 9/2004 Cheng ..... D12/211  
D506,172 S \* 6/2005 Pfeiffer ..... D12/211  
D510,309 S \* 10/2005 Cheng ..... D12/211  
D514,050 S \* 1/2006 Scheu ..... D12/211  
D604,685 S \* 11/2009 Zhou et al. .... D12/211  
D614,112 S \* 4/2010 Tant et al. .... D12/211  
D625,245 S \* 10/2010 Hans et al. .... D12/211  
D630,992 S \* 1/2011 Cortes ..... D12/211  
D633,028 S \* 2/2011 Kim ..... D12/211  
D691,543 S \* 10/2013 Gordon ..... D12/209  
D694,166 S \* 11/2013 Tirado ..... D12/211  
D695,193 S \* 12/2013 Kong ..... D12/211  
D702,172 S \* 4/2014 Chung ..... D12/211  
D704,124 S \* 5/2014 Hale, Jr. .... D12/211  
D704,617 S \* 5/2014 Chung ..... D12/211  
D706,197 S \* 6/2014 Chung ..... D12/211  
D706,199 S \* 6/2014 Chung ..... D12/211  
D709,019 S \* 7/2014 Hale, Jr. .... D12/211

\* cited by examiner

*Primary Examiner* — Stacia Cadmus

(74) *Attorney, Agent, or Firm* — KC Bean, Esq.

(57) **CLAIM**

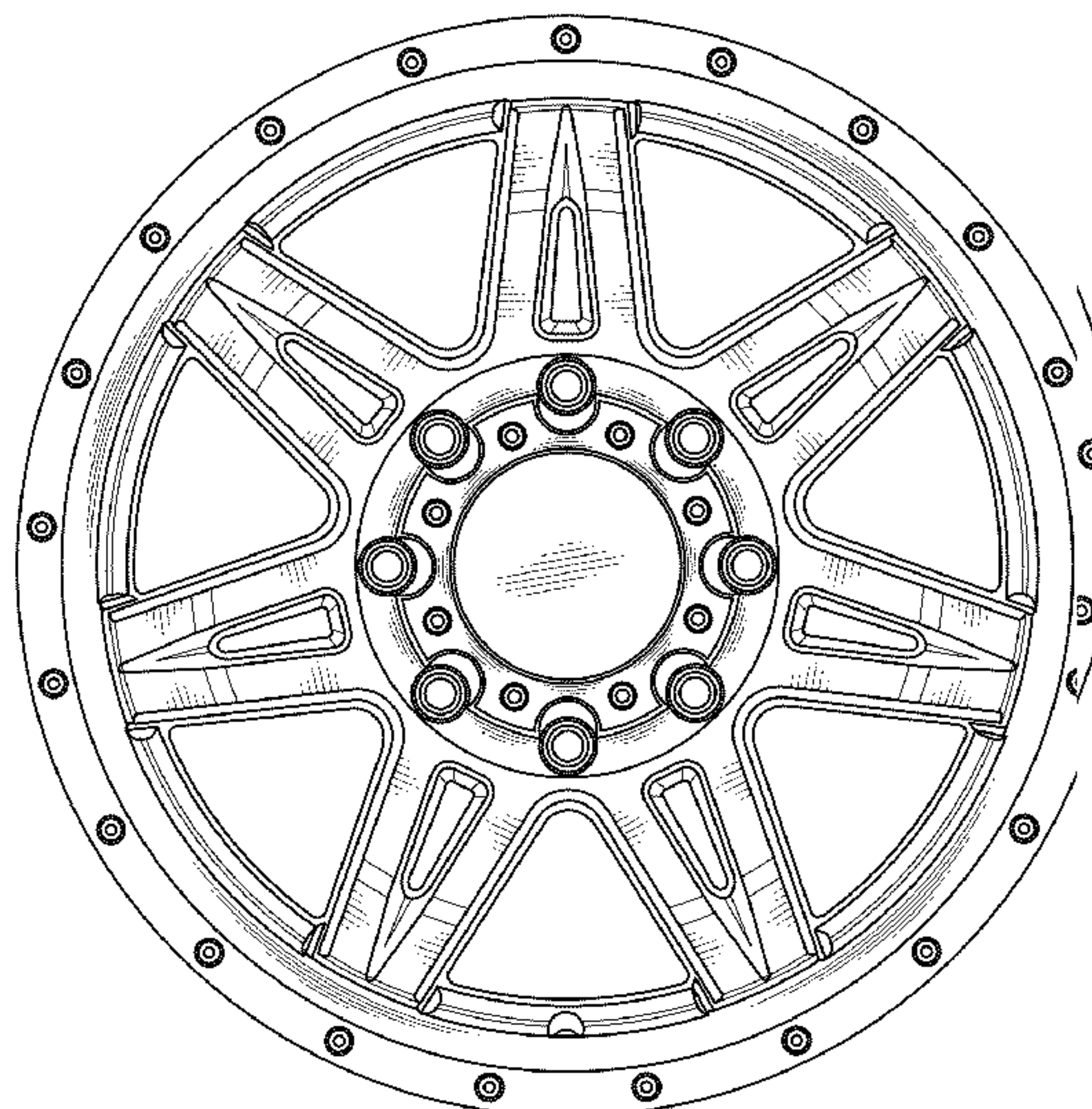
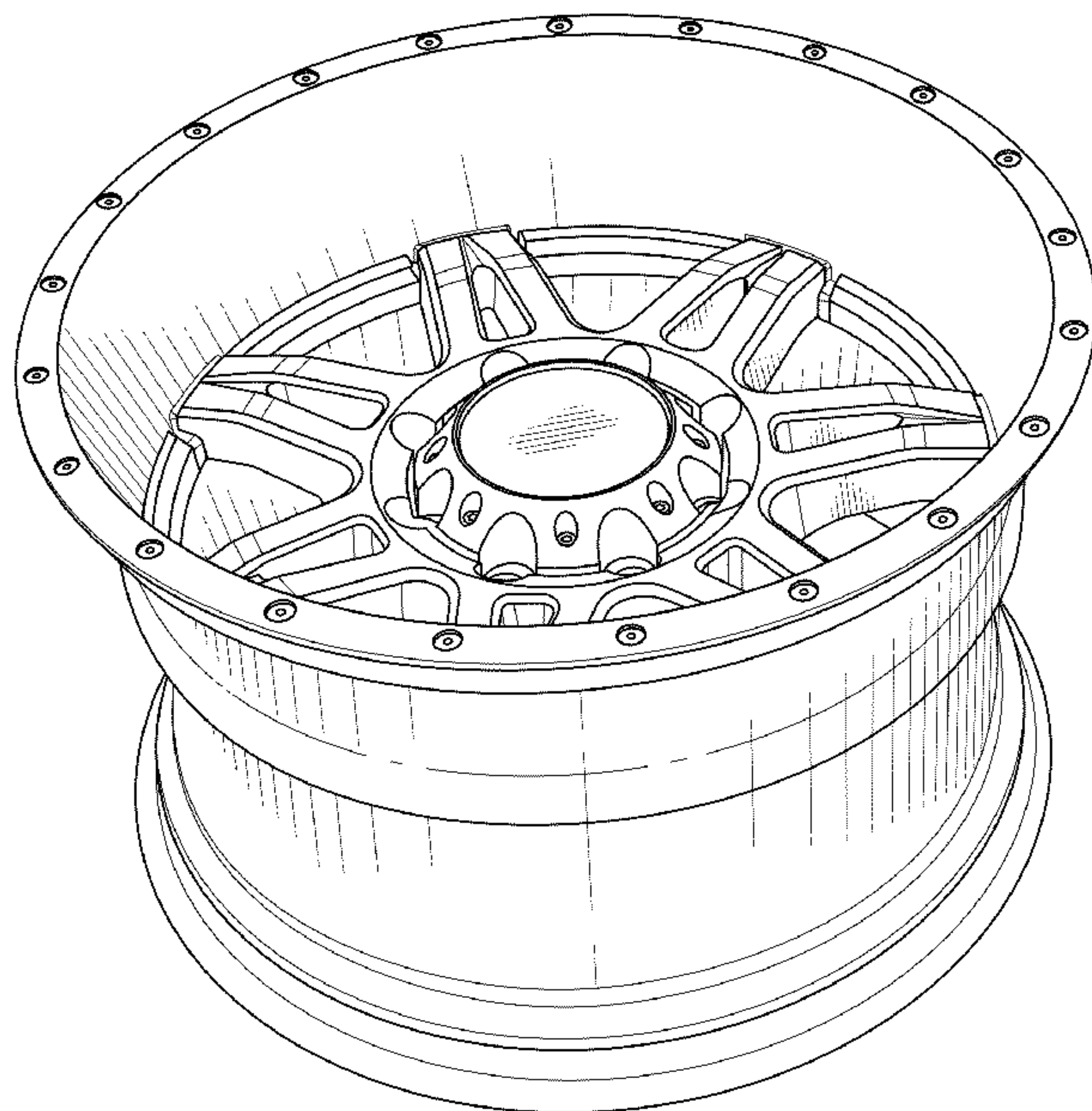
The ornamental design for a vehicle wheel, as shown and described.

**DESCRIPTION**

FIG. 1 is a perspective view of the vehicle wheel showing the new design; and,

FIG. 2 is the front view thereof.

**1 Claim, 2 Drawing Sheets**



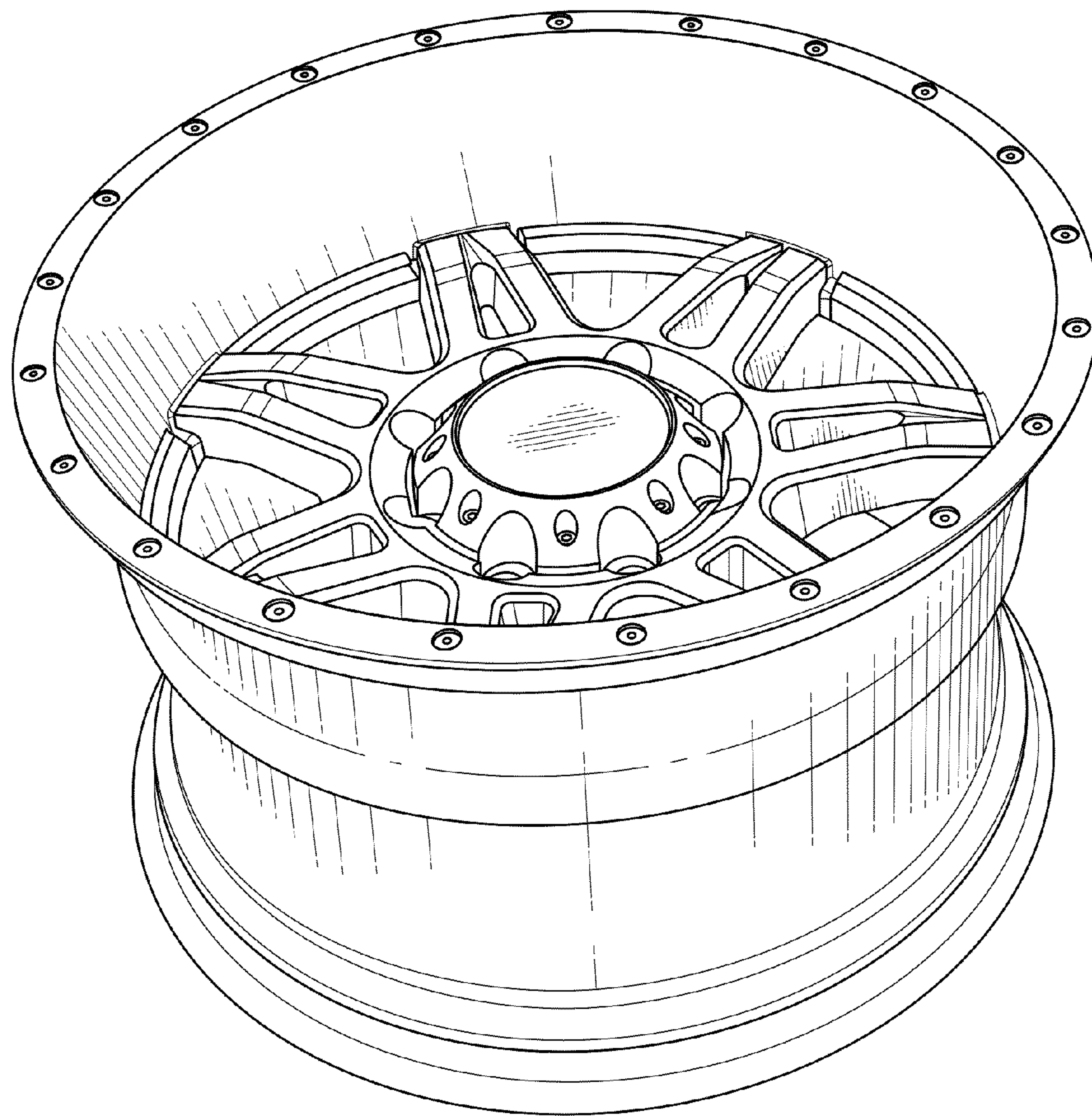


Fig. 1



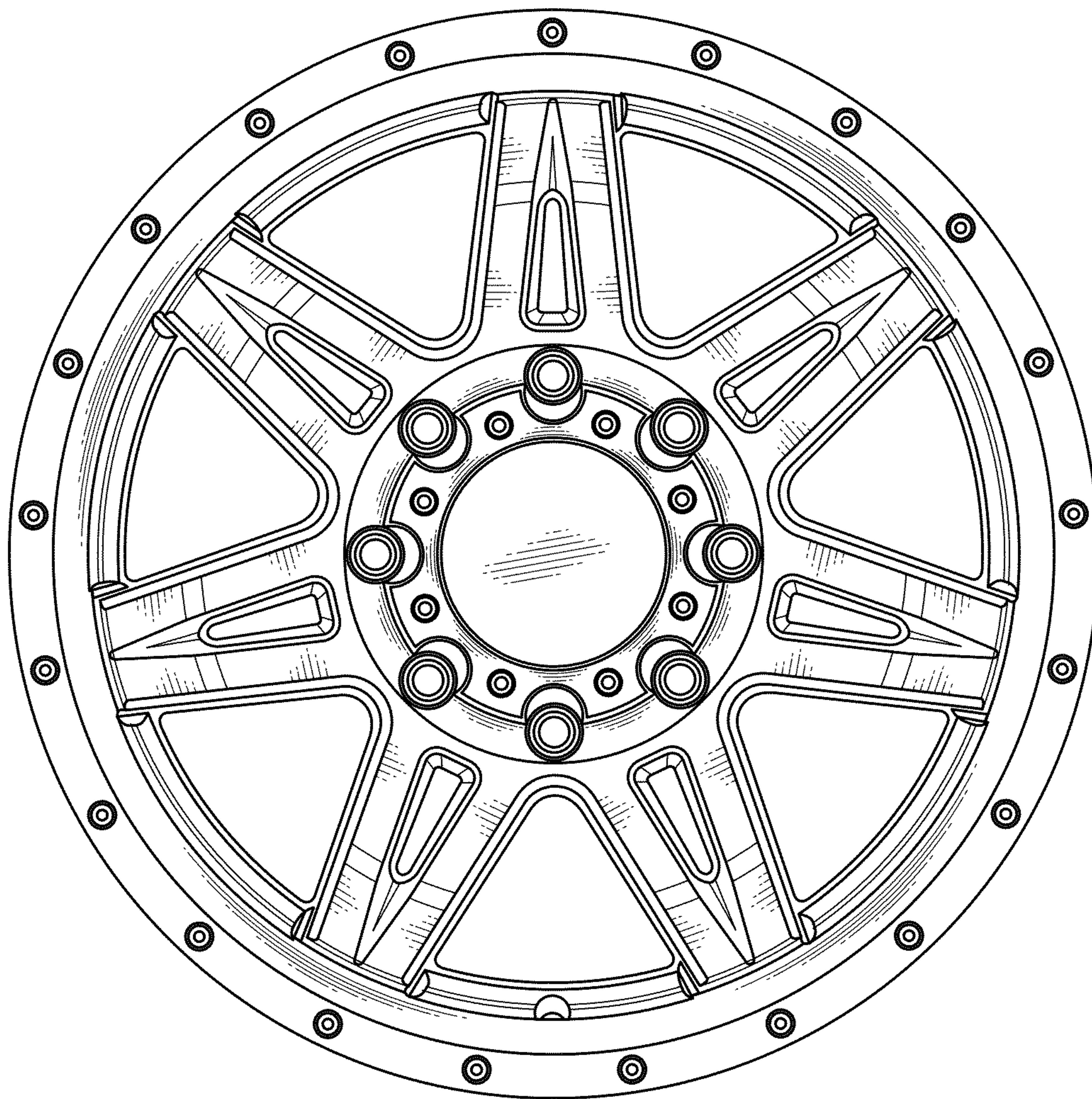


Fig. 2