



US00D726629S

(12) **United States Design Patent**  
**Guidry**

(10) **Patent No.:** **US D726,629 S**

(45) **Date of Patent:** **\*\* Apr. 14, 2015**

(54) **VEHICLE WHEEL**

(71) Applicant: **Wheel Pros, LLC**, Greenwood Village,  
CO (US)

(72) Inventor: **Jason Guidry**, Los Angeles, CA (US)

(73) Assignee: **Wheel Pros, LLC**

(\*\*) Term: **14 Years**

(21) Appl. No.: **29/504,357**

(22) Filed: **Oct. 5, 2014**

(51) **LOC (10) Cl.** ..... **12-16**

(52) **U.S. Cl.**  
USPC ..... **D12/211**

(58) **Field of Classification Search**  
CPC ..... B60B 7/00; B60B 7/02; B60B 7/04;  
B60B 7/01; B60B 7/06; B60B 3/02; B60B  
3/04; B60B 3/06; B60B 3/10; B60B 1/00;  
B60B 1/08; B60B 1/10; B60B 1/12  
USPC ..... D12/204-213  
See application file for complete search history.

(56) **References Cited**

U.S. PATENT DOCUMENTS

D545,750 S *	7/2007	Young	.....	D12/211
D553,070 S *	10/2007	Tirado	.....	D12/211
D625,243 S *	10/2010	Holstein	.....	D12/211
D656,447 S *	3/2012	Johnson	.....	D12/211
D683,686 S *	6/2013	Alfonso	.....	D12/211
D712,333 S *	9/2014	Chung	.....	D12/211
D716,213 S *	10/2014	Zhang	.....	D12/211

\* cited by examiner

*Primary Examiner* — Stacia Cadmus

(74) *Attorney, Agent, or Firm* — KC Bean, Esq.

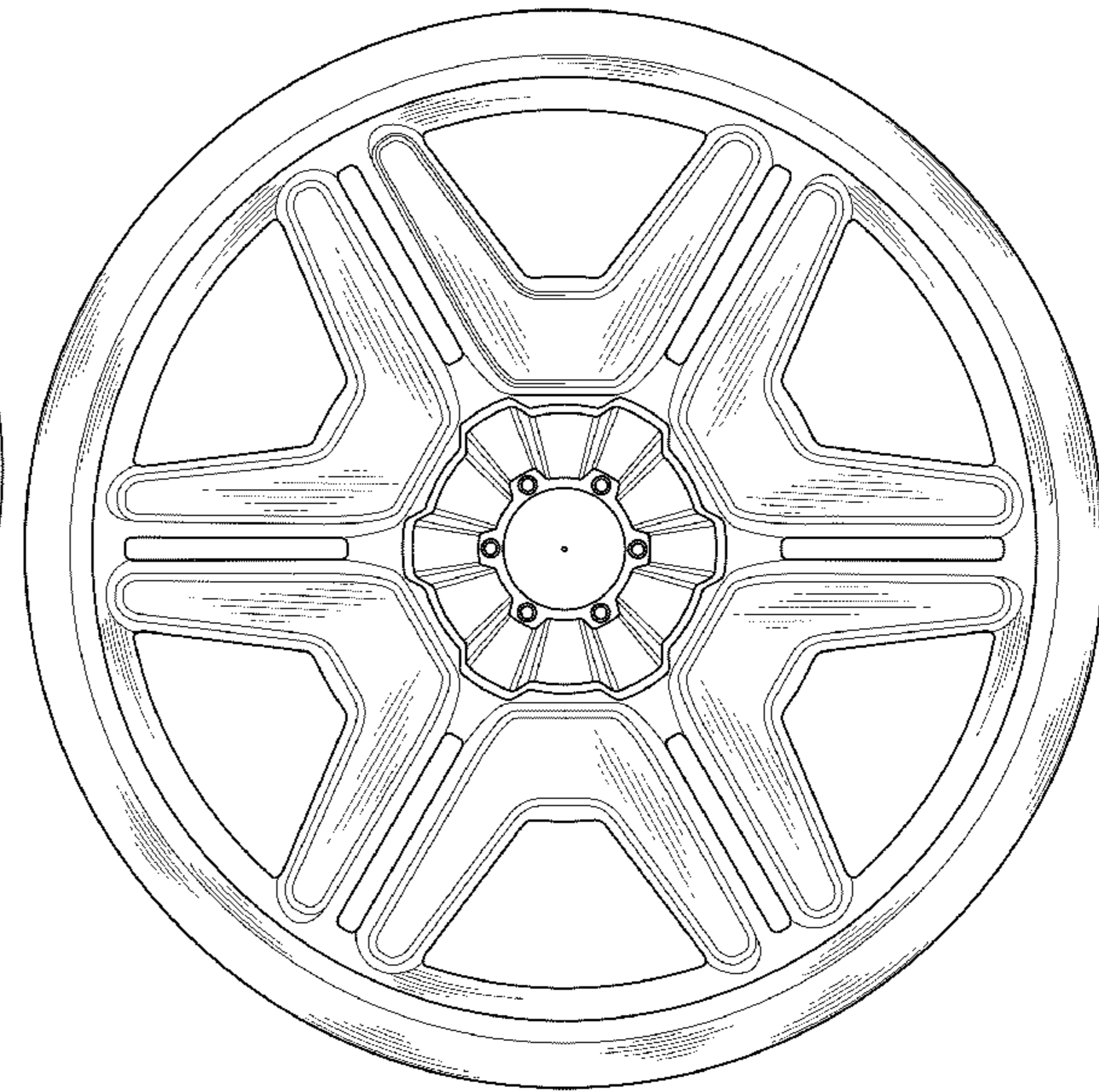
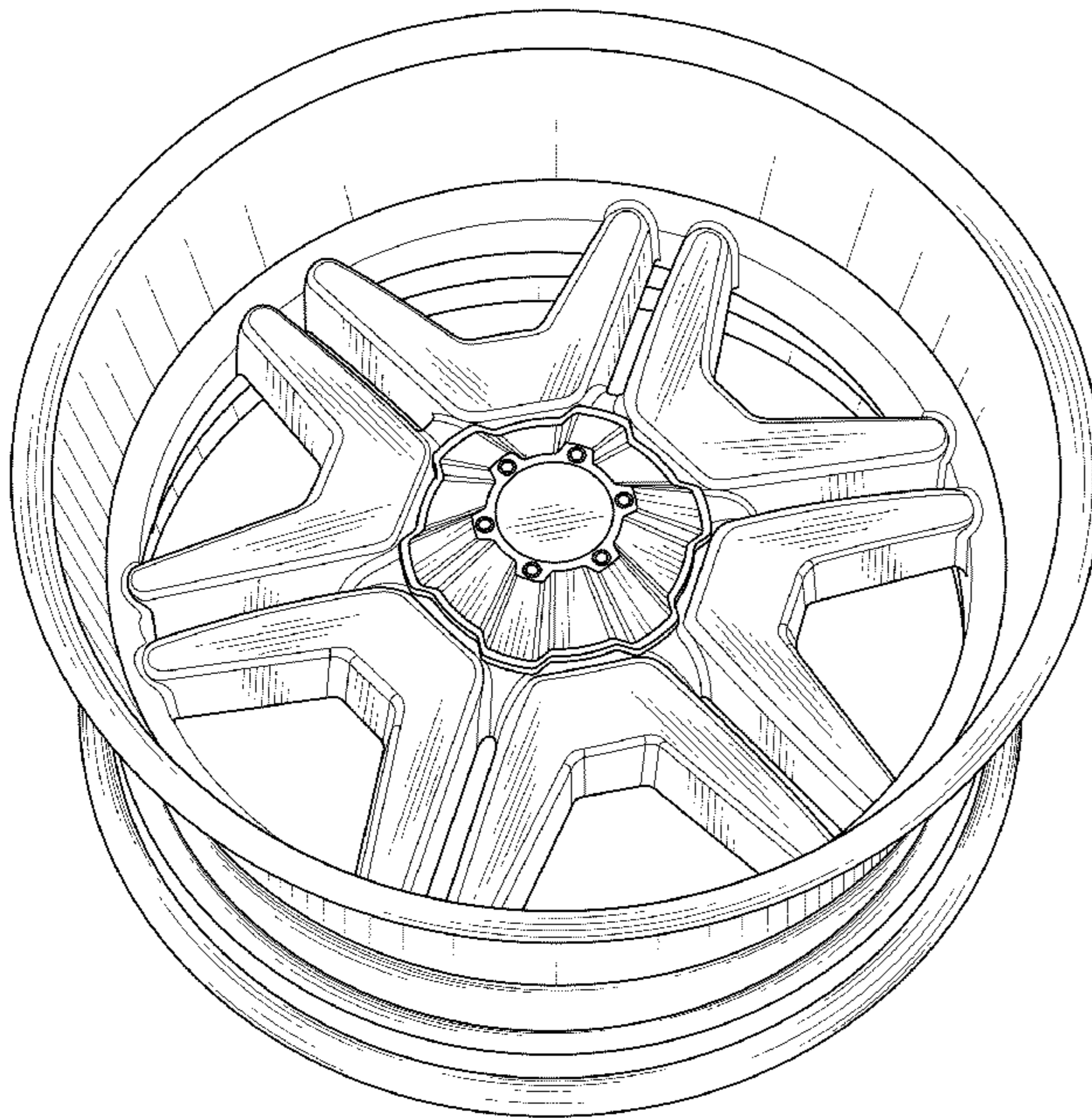
(57) **CLAIM**

The ornamental design for a vehicle wheel, as shown and described.

**DESCRIPTION**

FIG. 1 is a perspective view of the vehicle wheel showing the new design; and,  
FIG. 2 is the front view thereof.

**1 Claim, 2 Drawing Sheets**



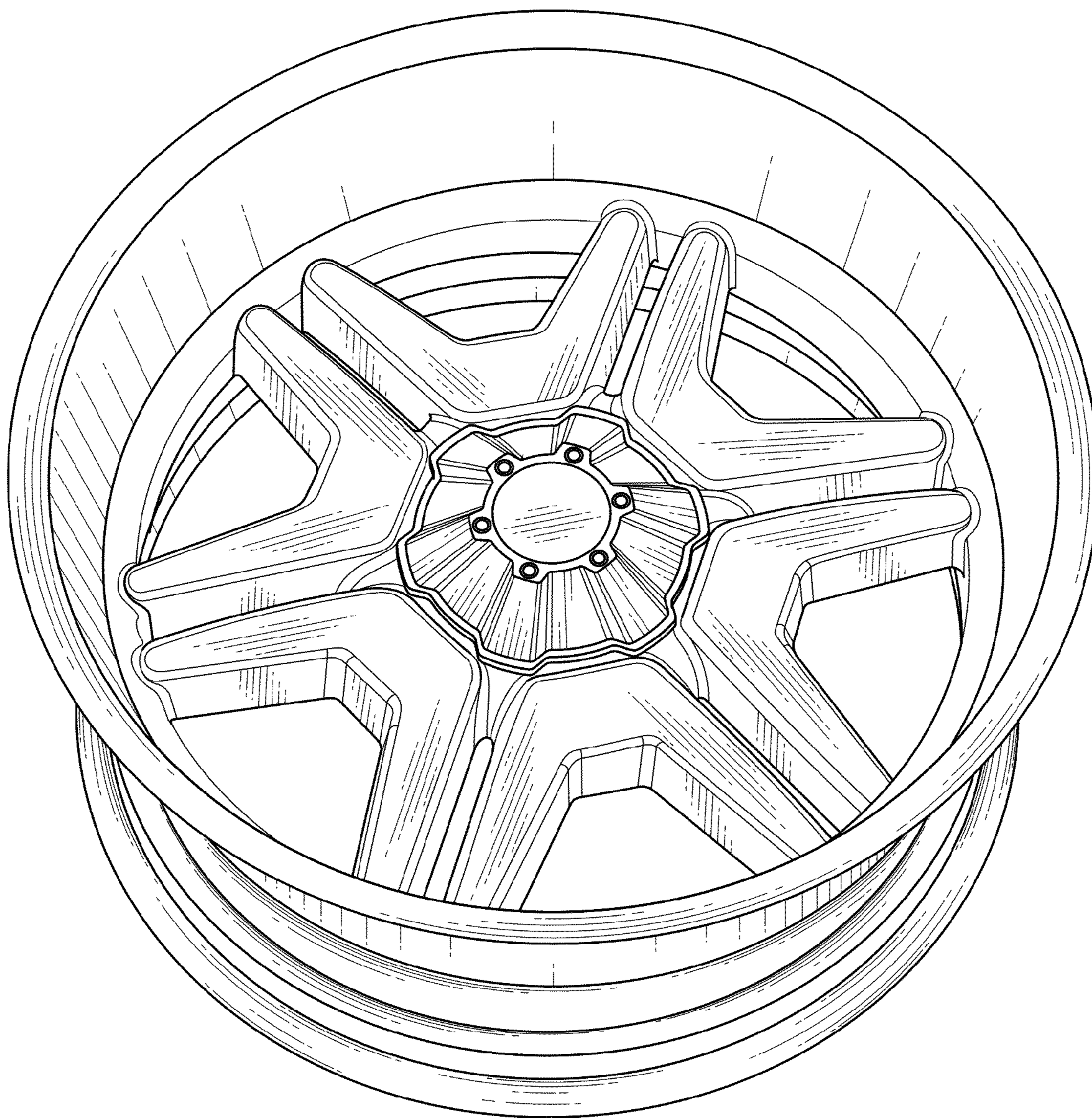


FIG. 1

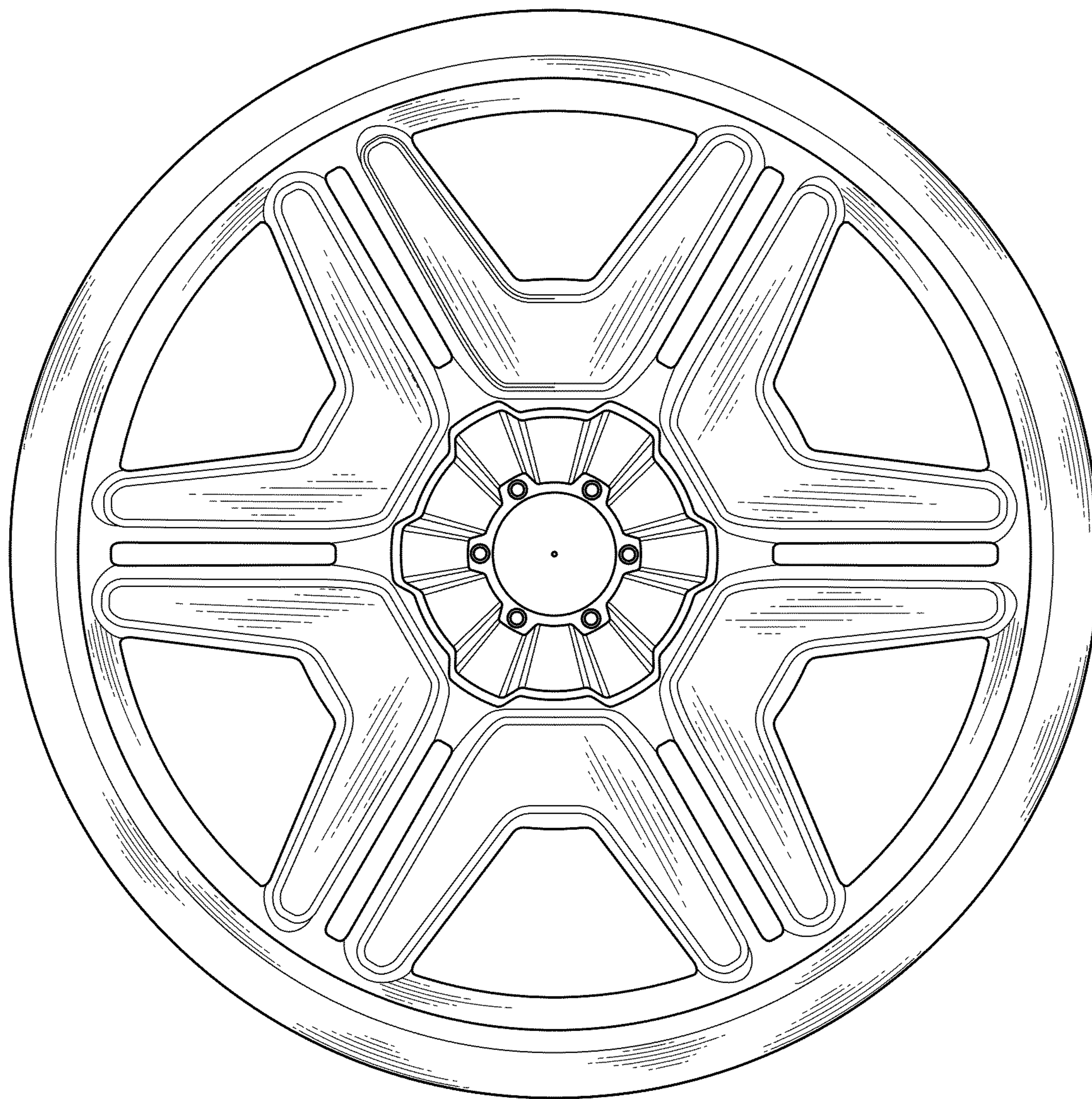


FIG. 2