



US00D726628S

(12) **United States Design Patent**
Kong

(10) **Patent No.:** **US D726,628 S**

(45) **Date of Patent:** **** Apr. 14, 2015**

(54) **VEHICLE WHEEL**

(71) Applicant: **Wheel Pros, LLC**, Greenwood Village,
CO (US)

(72) Inventor: **Yee Wan Kong**, Anaheim, CA (US)

(73) Assignee: **Wheel Pros, LLC**

(**) Term: **14 Years**

(21) Appl. No.: **29/504,353**

(22) Filed: **Oct. 5, 2014**

(51) **LOC (10) Cl.** **12-16**

(52) **U.S. Cl.**
USPC **D12/211**

(58) **Field of Classification Search**

CPC B60B 7/00; B60B 7/02; B60B 7/04;
B60B 7/01; B60B 7/06; B60B 3/02; B60B
3/04; B60B 3/06; B60B 3/10; B60B 1/00;
B60B 1/08; B60B 1/10; B60B 1/12

USPC D12/204-213
See application file for complete search history.

D574,311 S *	8/2008	Chung	D12/209
D588,517 S *	3/2009	Aroney	D12/211
D590,322 S *	4/2009	Rak	D12/211
D614,114 S *	4/2010	Kim	D12/211
D626,051 S *	10/2010	Fisker et al.	D12/209
D644,589 S *	9/2011	Fisker et al.	D12/211
D655,657 S *	3/2012	Juergens et al.	D12/209
D660,767 S *	5/2012	von Holzhausen et al.	D12/209
D666,958 S *	9/2012	Suzuki	D12/211
D671,876 S *	12/2012	Roura	D12/209
D678,164 S *	3/2013	Badstuebner	D12/211
D686,132 S *	7/2013	Truebsbach	D12/209
D691,081 S *	10/2013	Watkin	D12/211
D695,185 S *	12/2013	Juergens et al.	D12/209
D695,668 S *	12/2013	Juergens et al.	D12/209
D697,861 S *	1/2014	Lemke	D12/211
D707,171 S *	6/2014	Hammerbeck	D12/211
D708,110 S *	7/2014	Borkert et al.	D12/211

* cited by examiner

Primary Examiner — Stacia Cadmus

(74) *Attorney, Agent, or Firm* — K C Bean, Esq.

(57) **CLAIM**

The ornamental design for a vehicle wheel, as shown and described.

(56) **References Cited**

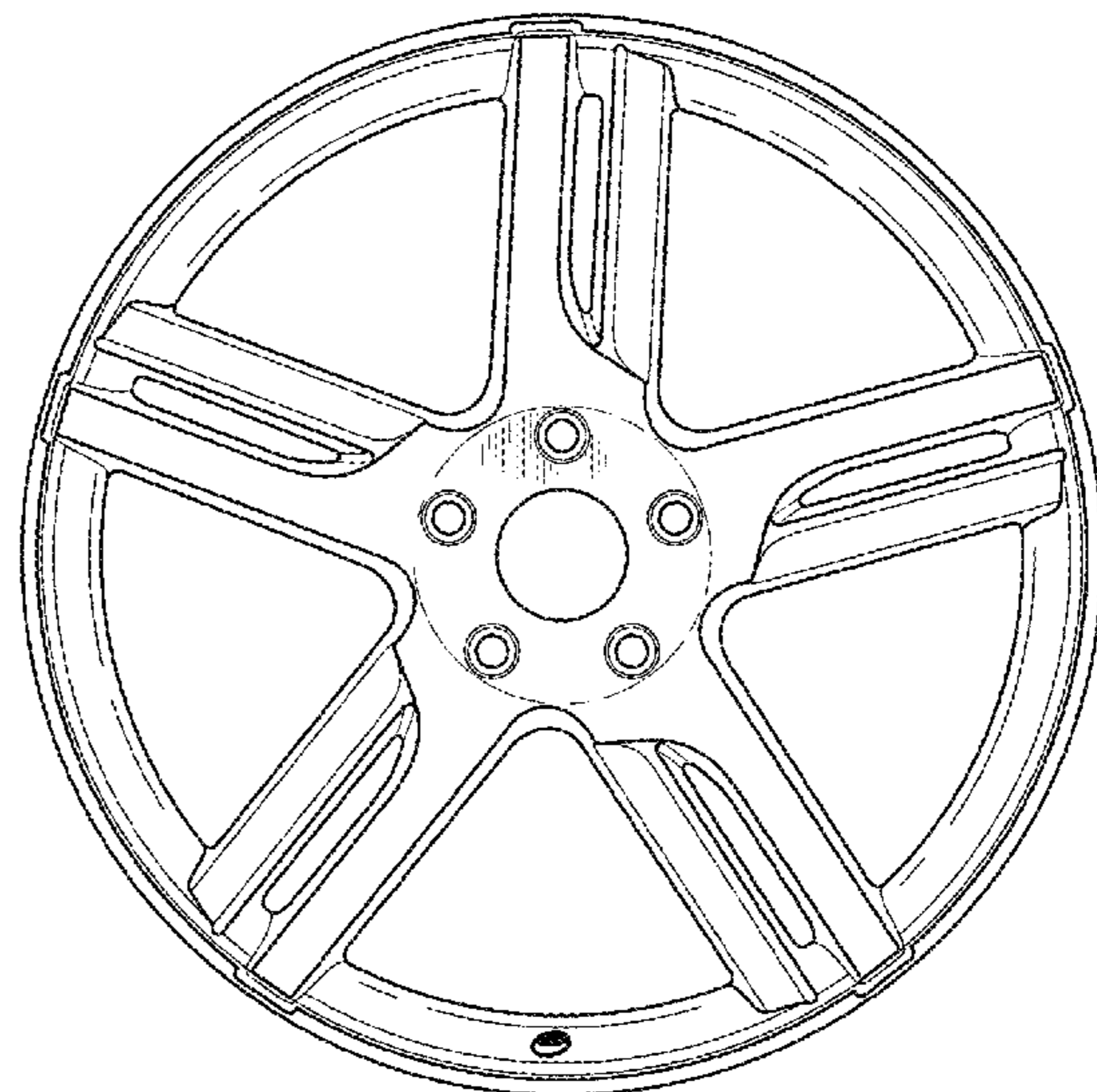
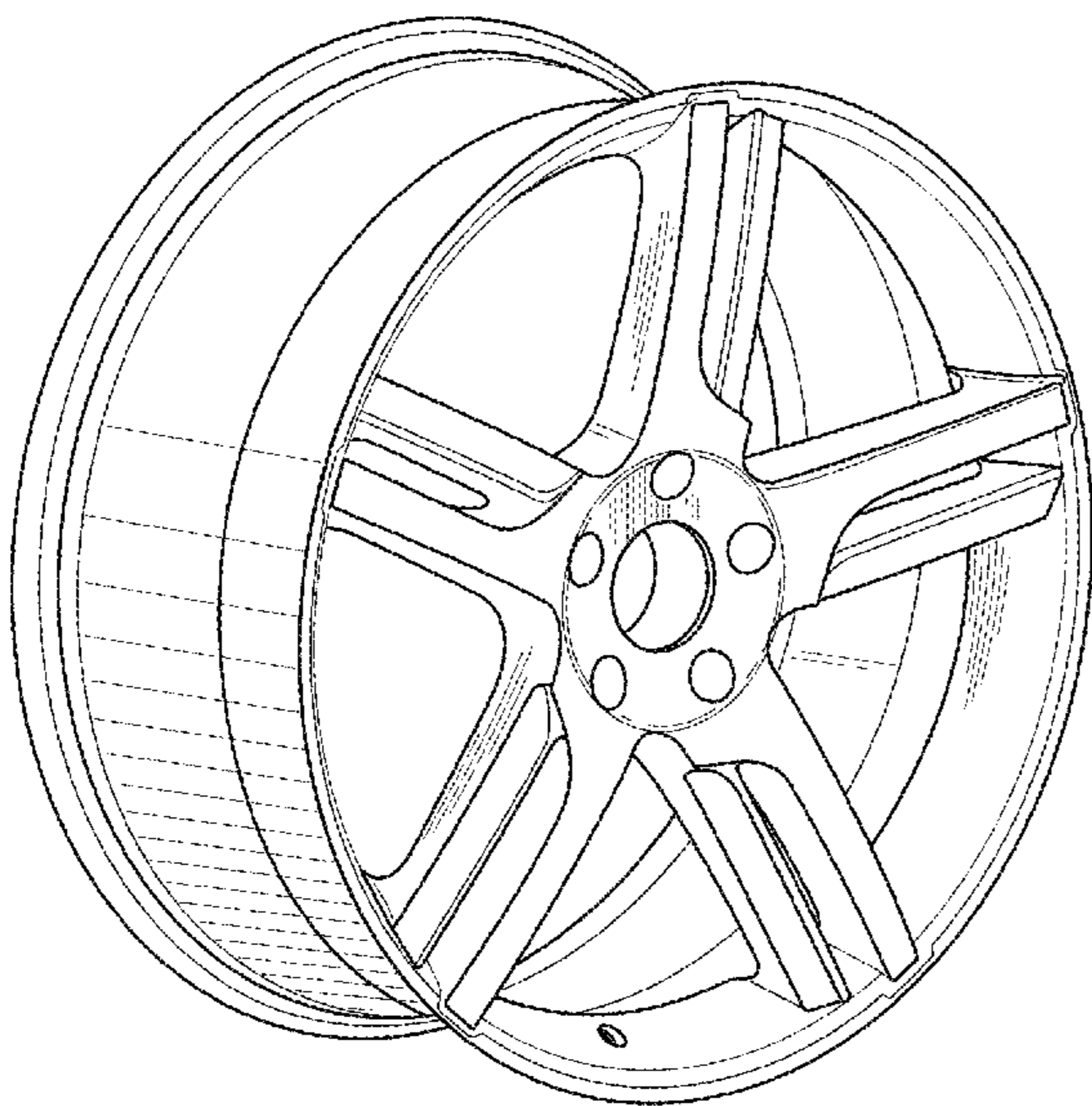
U.S. PATENT DOCUMENTS

D379,612 S *	6/1997	Honarkhah	D12/209
D431,514 S *	10/2000	Cullen	D12/209
D481,345 S *	10/2003	O'Connell	D12/211
D569,322 S *	5/2008	Scheu	D12/211

DESCRIPTION

FIG. 1 is a perspective view of the vehicle wheel showing the new design; and,
FIG. 2 is the front view thereof.

1 Claim, 2 Drawing Sheets



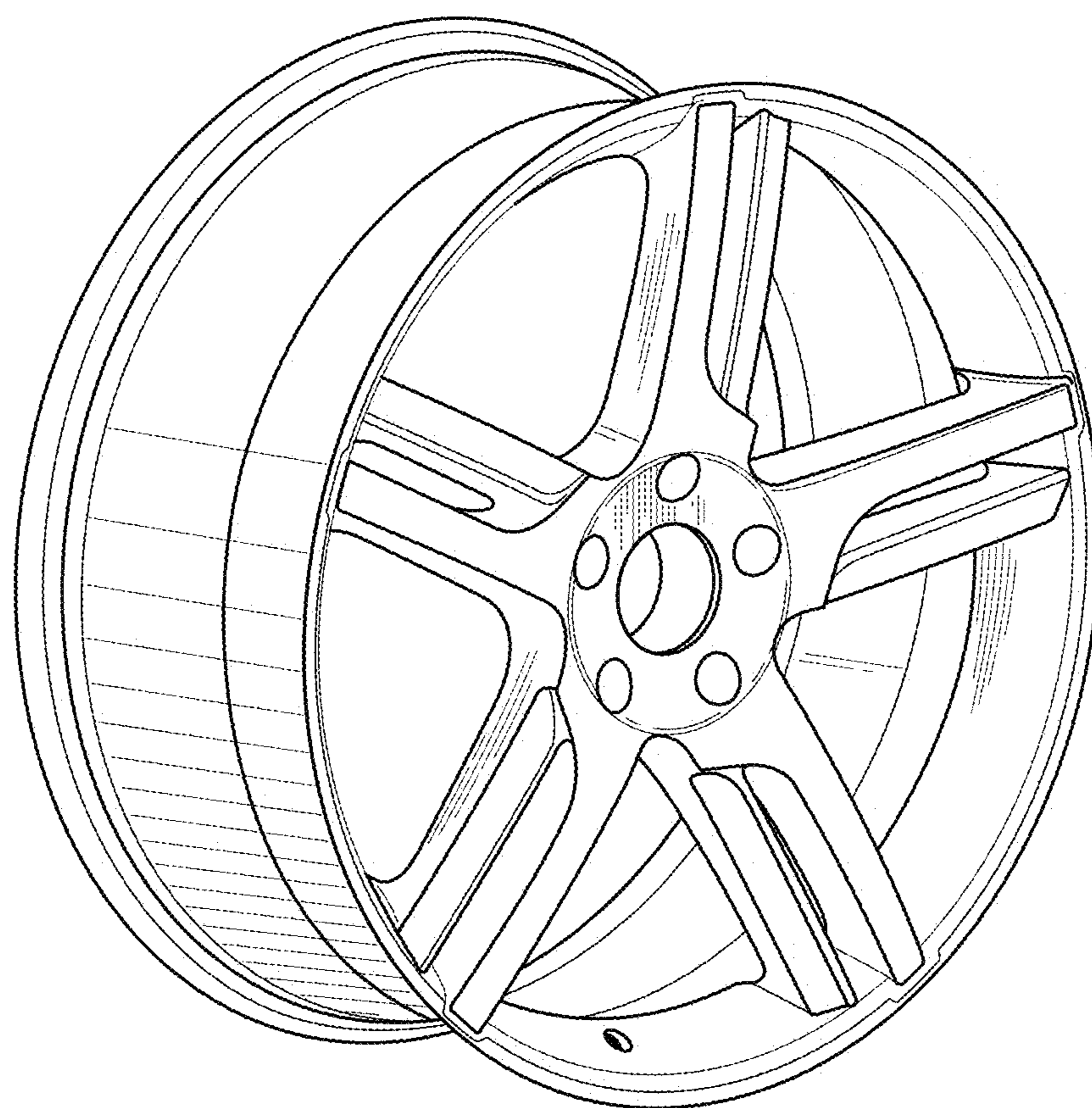


FIG. 1

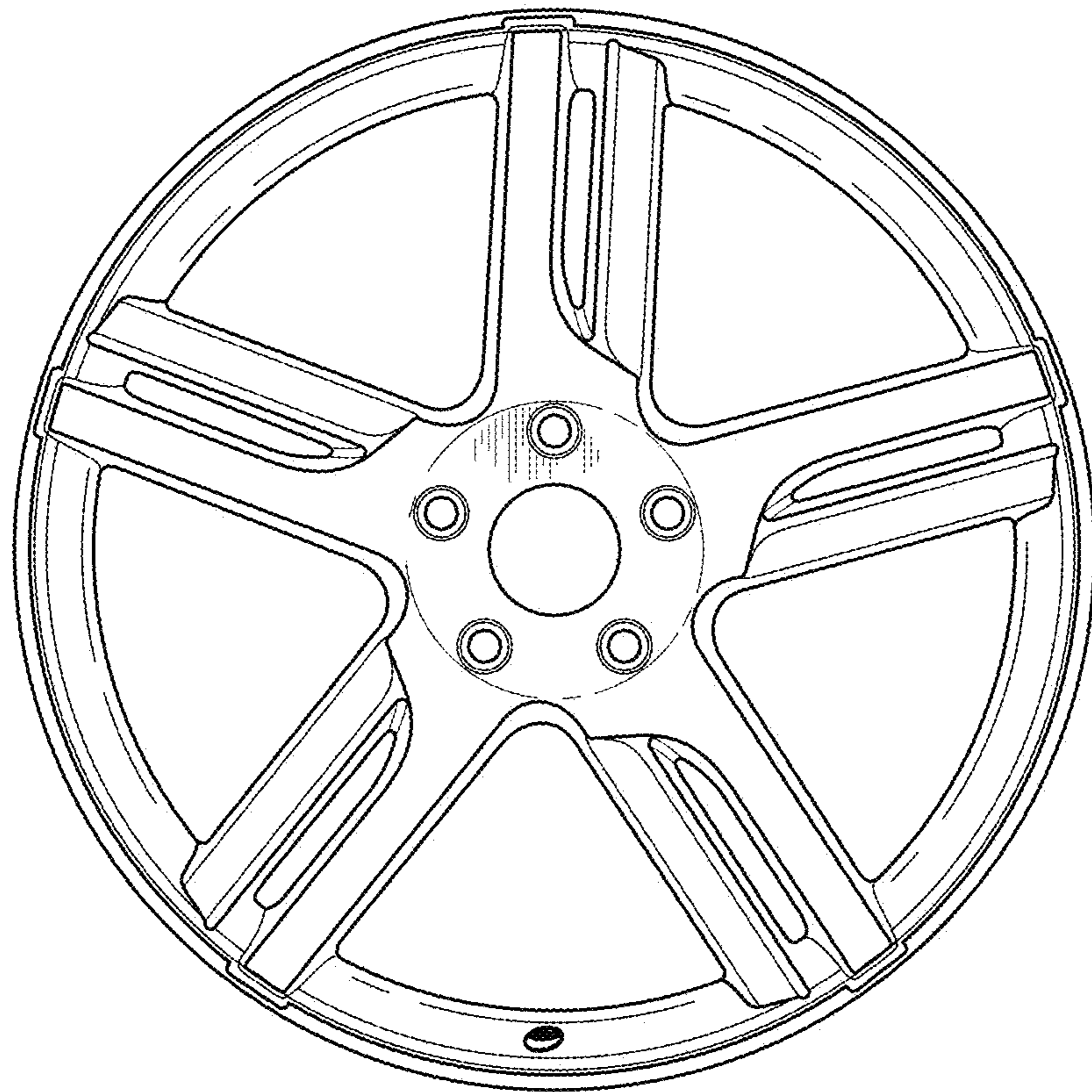


FIG. 2