



US00D726627S

(12) **United States Design Patent**
Chung

(10) **Patent No.:** **US D726,627 S**

(45) **Date of Patent:** **** Apr. 14, 2015**

(54) **AUTOMOTIVE WHEEL**

(71) Applicant: **Suny Chung**, Anaheim, CA (US)

(72) Inventor: **Suny Chung**, Anaheim, CA (US)

(**) Term: **14 Years**

(21) Appl. No.: **29/485,368**

(22) Filed: **Mar. 18, 2014**

(51) **LOC (10) Cl.** **12-16**

(52) **U.S. Cl.**
USPC **D12/211**

(58) **Field of Classification Search**
CPC B60B 7/00; B60B 7/02; B60B 7/04;
B60B 7/01; B60B 7/06; B60B 3/02; B60B
3/04; B60B 3/06; B60B 3/10; B60B 1/00;
B60B 1/08; B60B 1/10; B60B 1/12
USPC D12/204-213
See application file for complete search history.

(56) **References Cited**

U.S. PATENT DOCUMENTS

D461,441 S * 8/2002 Hartanto D12/211
D463,769 S * 10/2002 Chung D12/211
D503,919 S * 4/2005 Cahyono D12/211

D524,217 S * 7/2006 Aoki D12/211
D527,335 S * 8/2006 Kim D12/211
D532,739 S * 11/2006 Ettensberger D12/211
D537,767 S * 3/2007 Pfeiffer D12/211
D547,711 S * 7/2007 Young D12/211
D580,336 S * 11/2008 Chung D12/211
D638,770 S * 5/2011 Chung D12/211
D654,420 S * 2/2012 Guay et al. D12/211

* cited by examiner

Primary Examiner — Stacia Cadmus

(57) **CLAIM**

The ornamental design for an automotive wheel, as shown and described

DESCRIPTION

FIG. 1 is a perspective view of an automotive wheel, showing my new design;
FIG. 2 is a front view thereof;
FIG. 3 is a perspective view of a second embodiment of an automotive wheel, showing my new design; and,
FIG. 4 is a front view of FIG. 3.
The broken line showing of the rear portion of the wheel is included for the purpose of illustrating environment and forms no part of the claimed design.

1 Claim, 4 Drawing Sheets

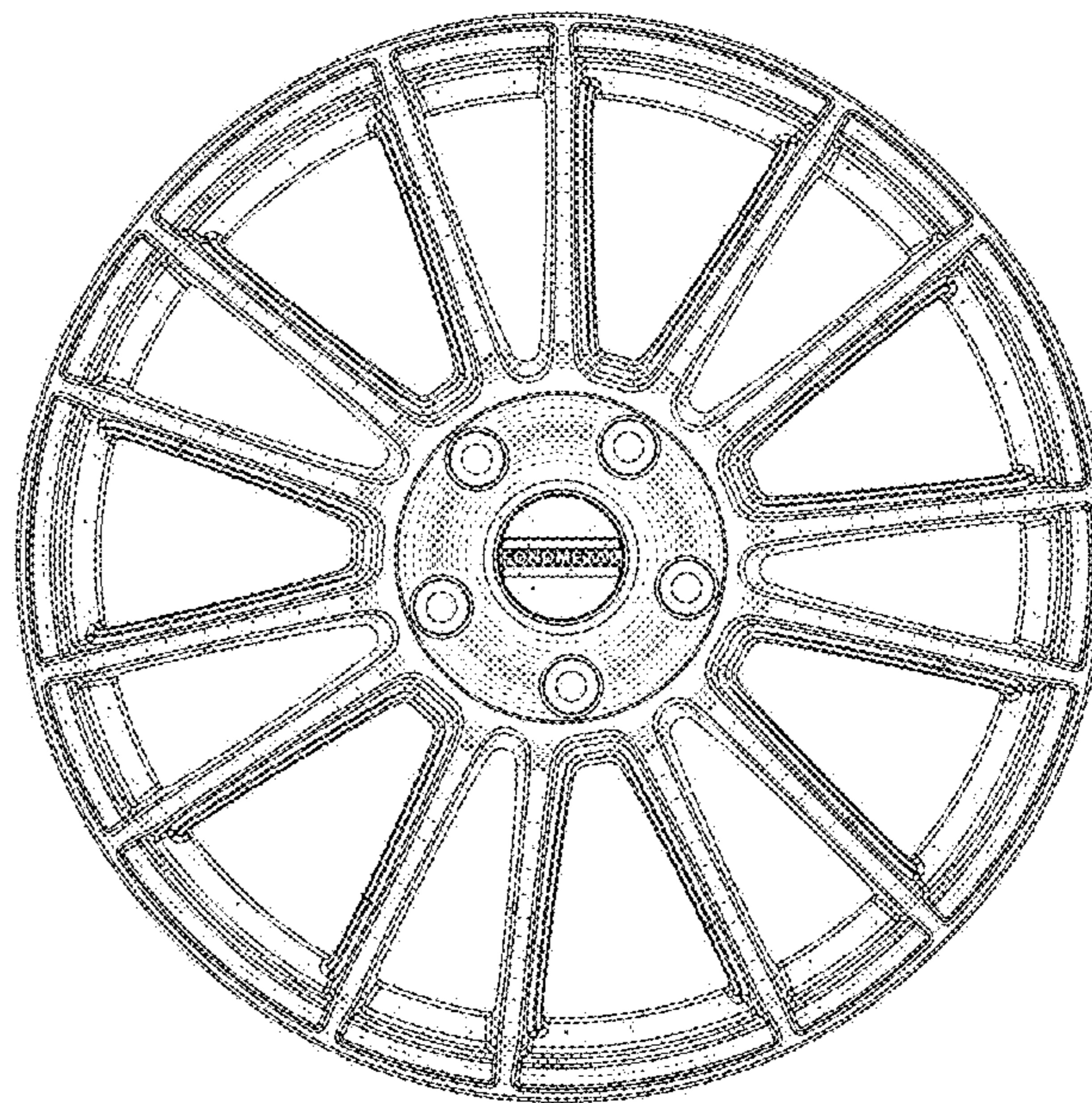
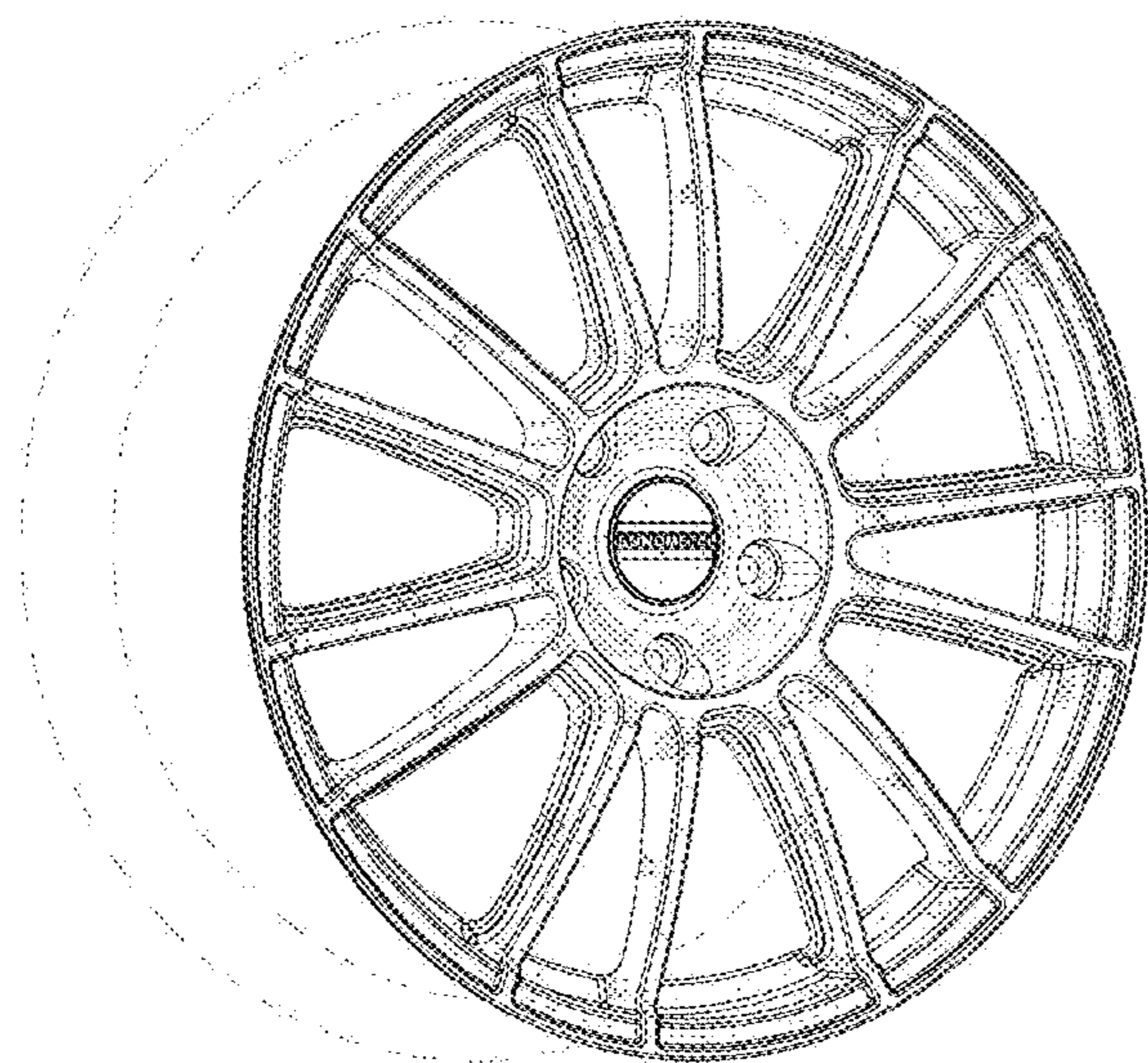


FIGURE 1

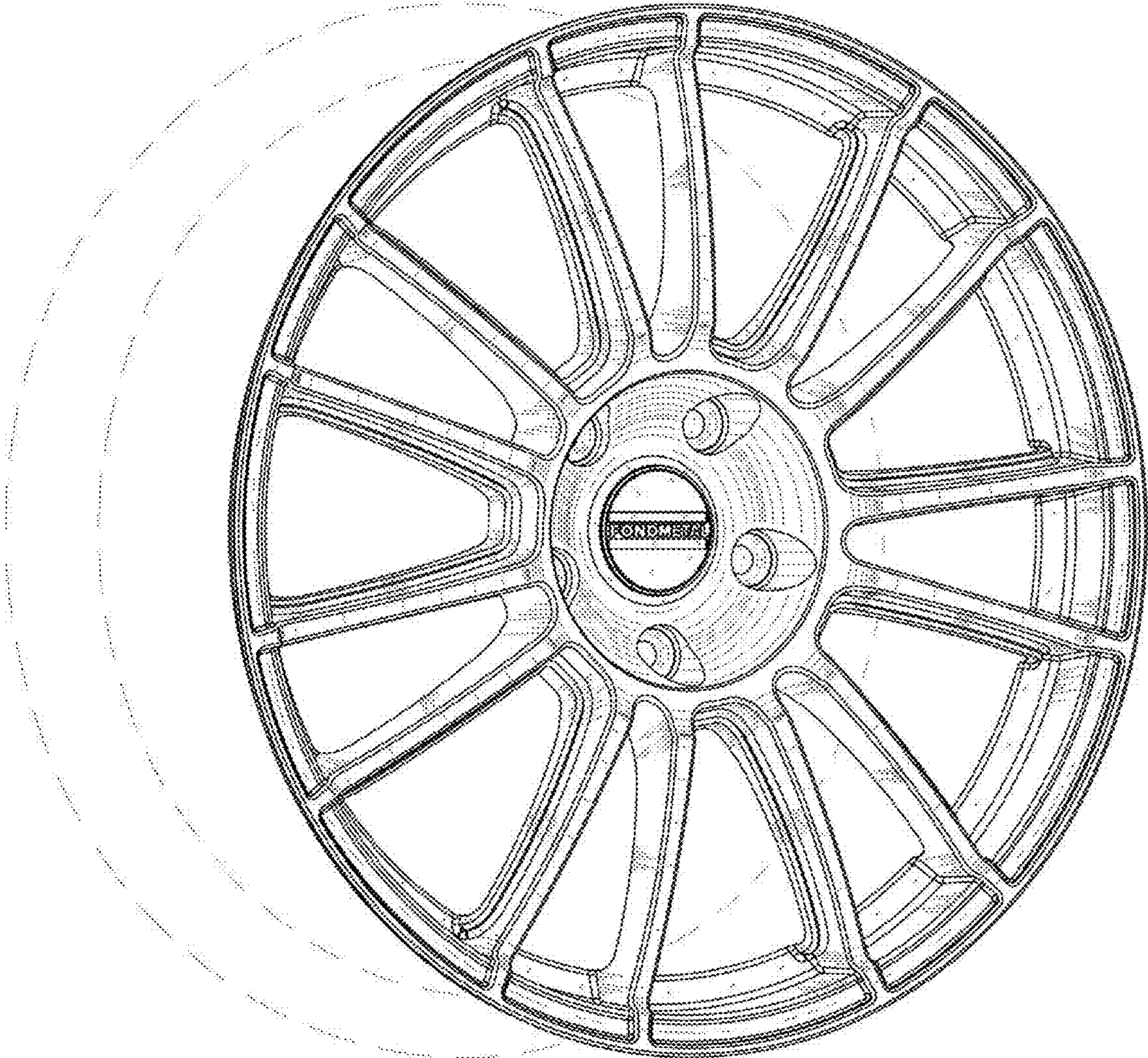


FIGURE 2



FIGURE 3

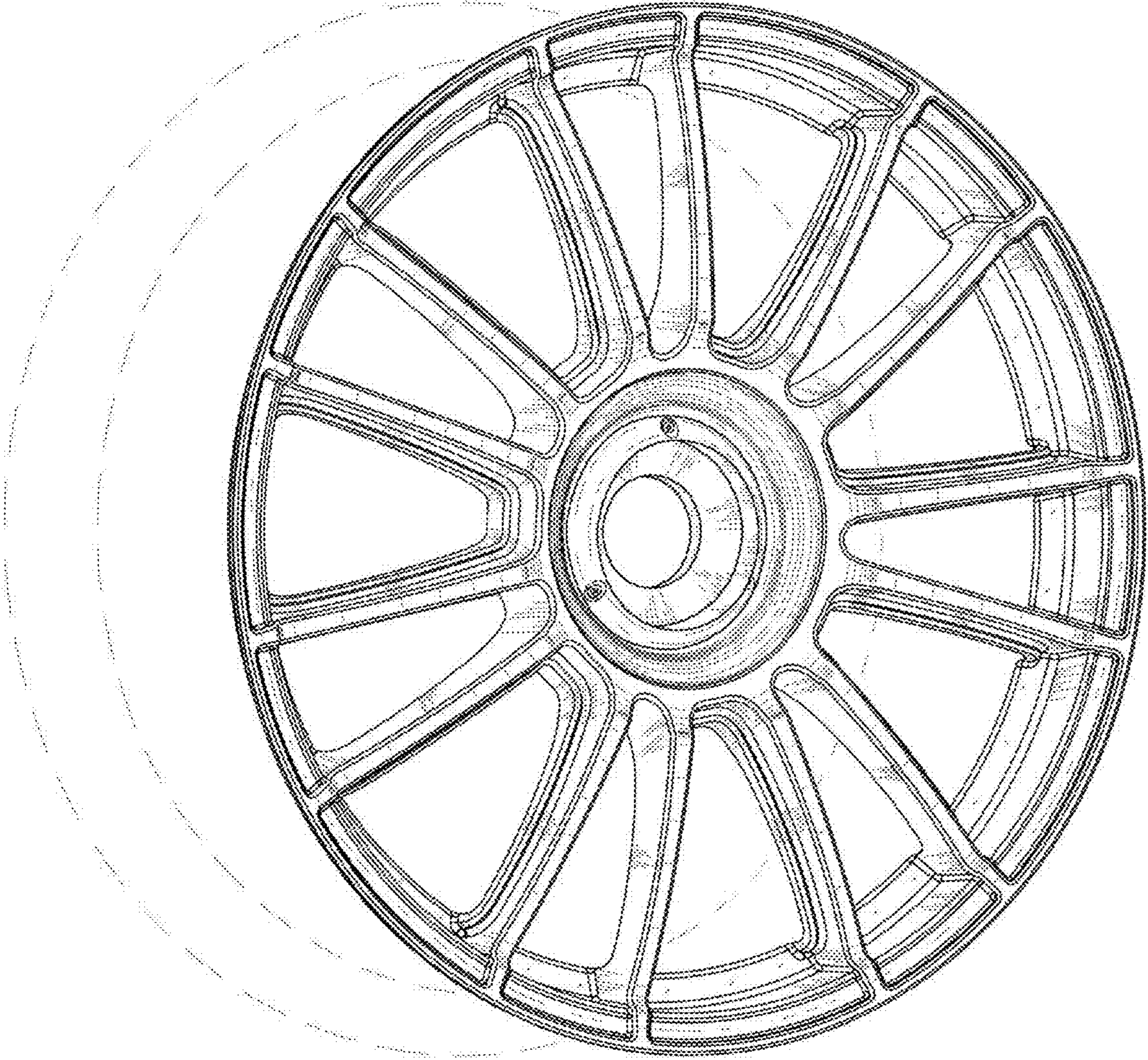


FIGURE 4

