

US00D726624S

(12) **United States Design Patent**
Chung

(10) **Patent No.:** **US D726,624 S**

(45) **Date of Patent:** **** Apr. 14, 2015**

(54) **AUTOMOTIVE WHEEL**

(71) Applicant: **Suny Chung**, Brea, CA (US)

(72) Inventor: **Suny Chung**, Brea, CA (US)

(**) Term: **14 Years**

(21) Appl. No.: **29/442,690**

(22) Filed: **Apr. 22, 2013**

(51) **LOC (10) Cl.** **12-16**

(52) **U.S. Cl.**
USPC **D12/211**

(58) **Field of Classification Search**
USPC D12/204-213; 301/37.101, 64.101, 65,
301/64.201

See application file for complete search history.

(56) **References Cited**

U.S. PATENT DOCUMENTS

D456,332 S	*	4/2002	Vian	D12/211
D529,854 S	*	10/2006	Scheu	D12/211
D552,524 S	*	10/2007	Tirado	D12/209

D573,082 S	*	7/2008	Young	D12/211
D582,830 S	*	12/2008	Musser	D12/211
D593,021 S	*	5/2009	Chung	D12/211
D619,075 S	*	7/2010	Zhao	D12/211
D633,840 S	*	3/2011	Johnson	D12/209
D667,767 S	*	9/2012	Gotschke	D12/209
D682,769 S	*	5/2013	Zhao	D12/211
D691,542 S	*	10/2013	Chan	D12/209

* cited by examiner

Primary Examiner — Stacia Cadmus

(57) **CLAIM**

The ornamental design for an automotive wheel, as shown and described.

DESCRIPTION

FIG. 1 is a perspective view of an automotive wheel, showing my new design; and, FIG. 2 is a front view thereof. The broken line showing of the rear portion of the wheel is included for the purpose of illustrating environment and forms no part of the claimed design.

1 Claim, 2 Drawing Sheets

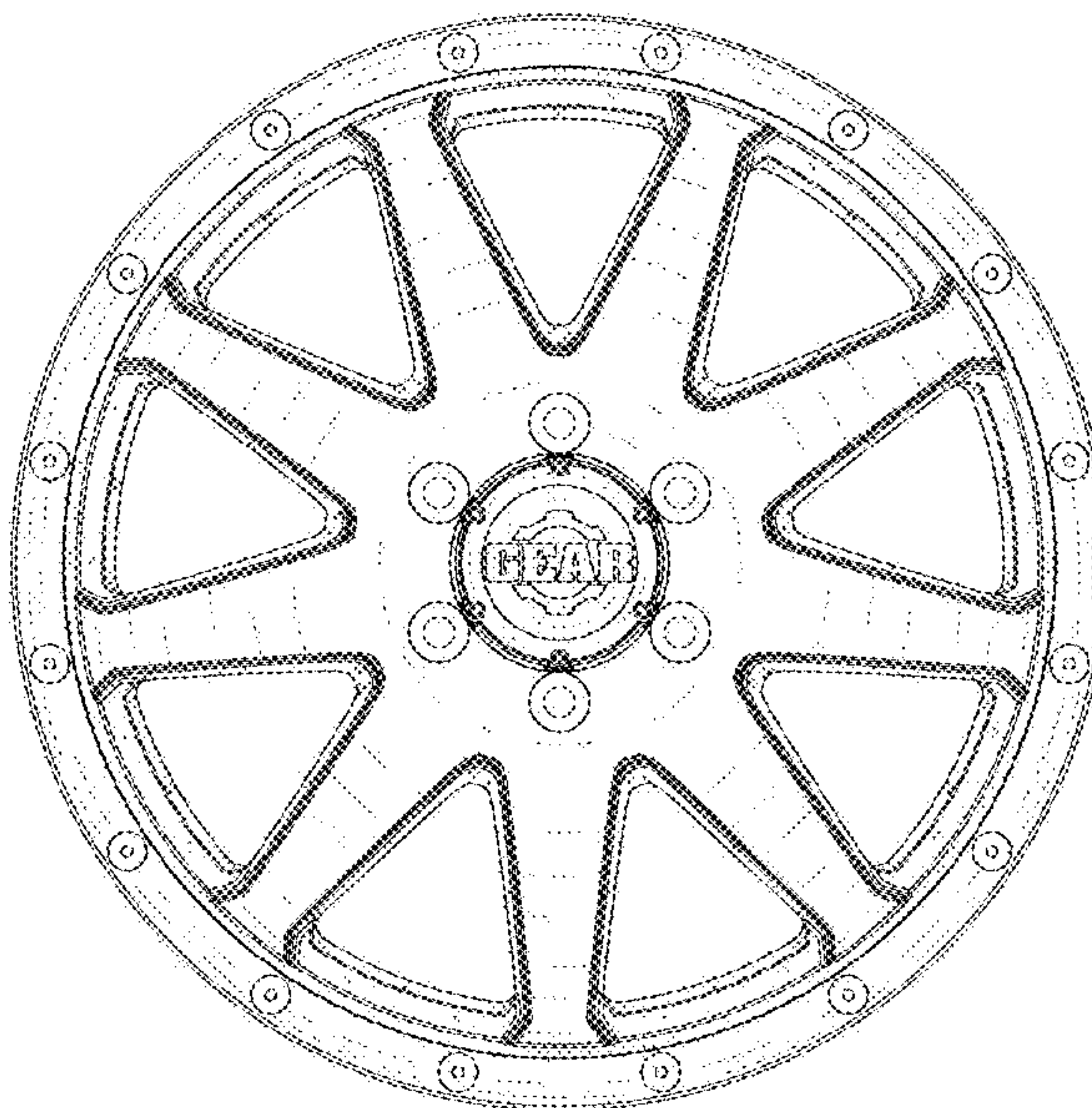
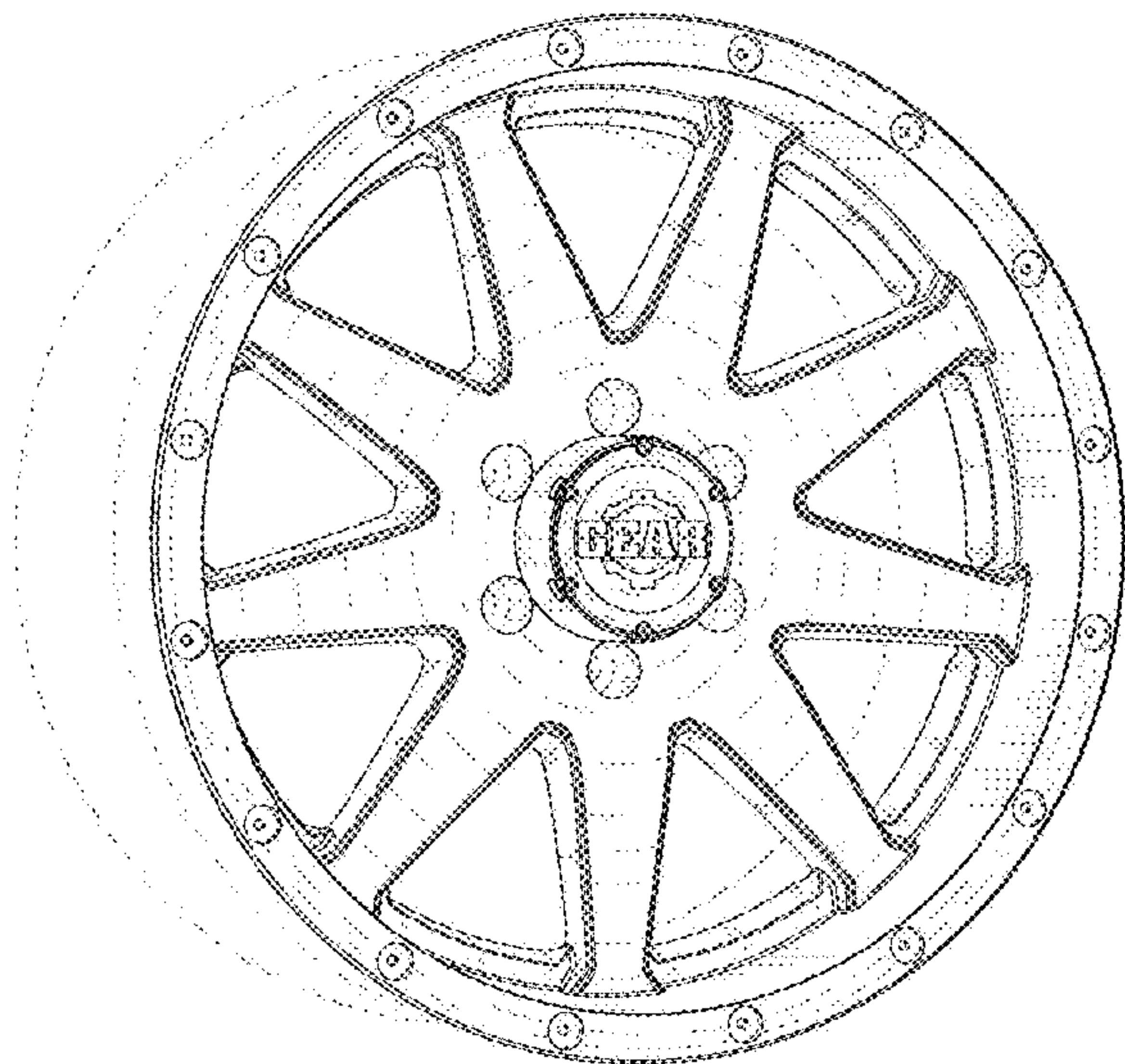


FIGURE 1

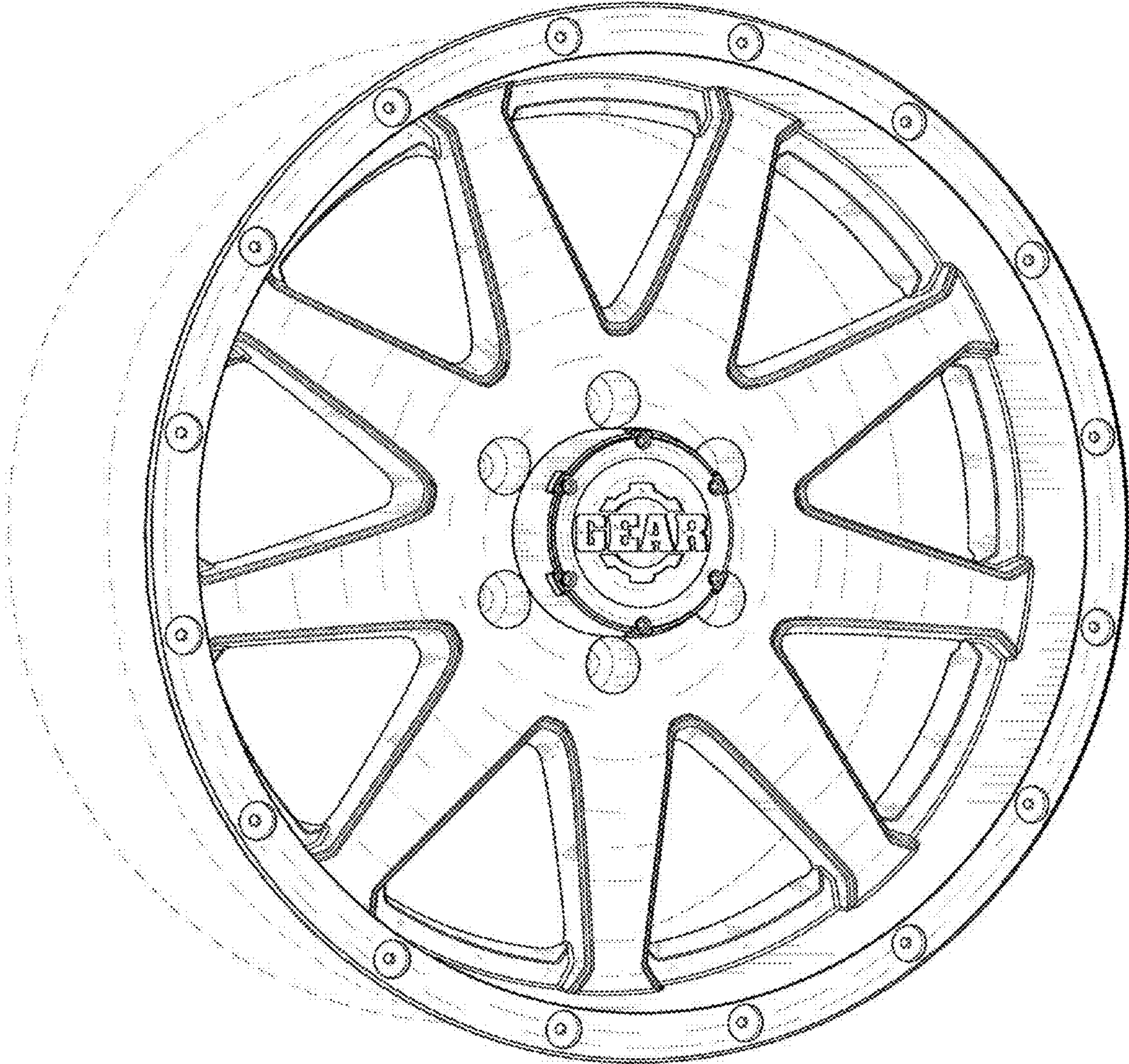


FIGURE 2

