



US00D726623S

(12) **United States Design Patent**
Alfonso

(10) **Patent No.:** **US D726,623 S**

(45) **Date of Patent:** **** Apr. 14, 2015**

(54) **AUTOMOBILE WHEEL**

(71) Applicant: **Ernie R. Alfonso**, Pomona, CA (US)

(72) Inventor: **Ernie R. Alfonso**, Pomona, CA (US)

(73) Assignee: **Direct Wheel Inc.**, Pomona, CA (US)

(**) Term: **14 Years**

(21) Appl. No.: **29/434,146**

(22) Filed: **Oct. 10, 2012**

(51) **LOC (10) Cl.** **12-16**

(52) **U.S. Cl.**
USPC **D12/211**

(58) **Field of Classification Search**
CPC B60B 7/00; B60B 7/02; B60B 7/04;
B60B 7/01; B60B 7/06; B60B 3/02; B60B
3/04; B60B 3/06; B60B 3/10; B60B 1/00;
B60B 1/08; B60B 1/10; B60B 1/12
USPC D12/204-213
See application file for complete search history.

(56) **References Cited**

U.S. PATENT DOCUMENTS

D463,769 S * 10/2002 Chung D12/211
D466,853 S * 12/2002 Maifrini D12/211
D481,663 S * 11/2003 Maifrini D12/211

D520,932 S * 5/2006 Guevara D12/211
D534,473 S * 1/2007 Bernoni D12/211
D552,525 S * 10/2007 Celik D12/211
D652,363 S * 1/2012 Chung D12/211
D656,447 S * 3/2012 Johnson D12/211
D682,768 S * 5/2013 Hale D12/211
D686,962 S * 7/2013 Hale, Jr. D12/211
D688,188 S * 8/2013 Baum D12/211

* cited by examiner

Primary Examiner — Stacia Cadmus

(74) *Attorney, Agent, or Firm* — Adli Law Group P.C.

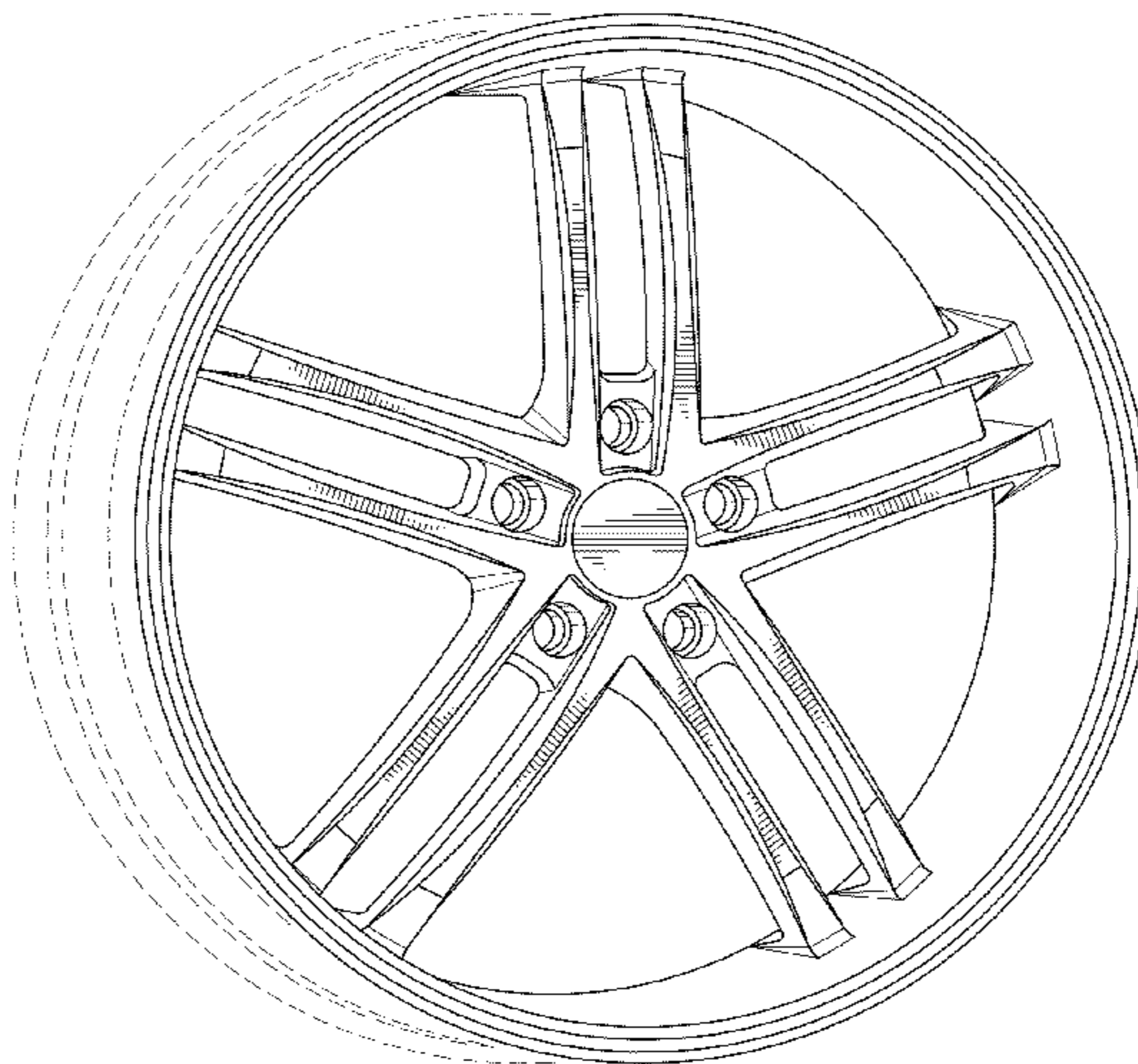
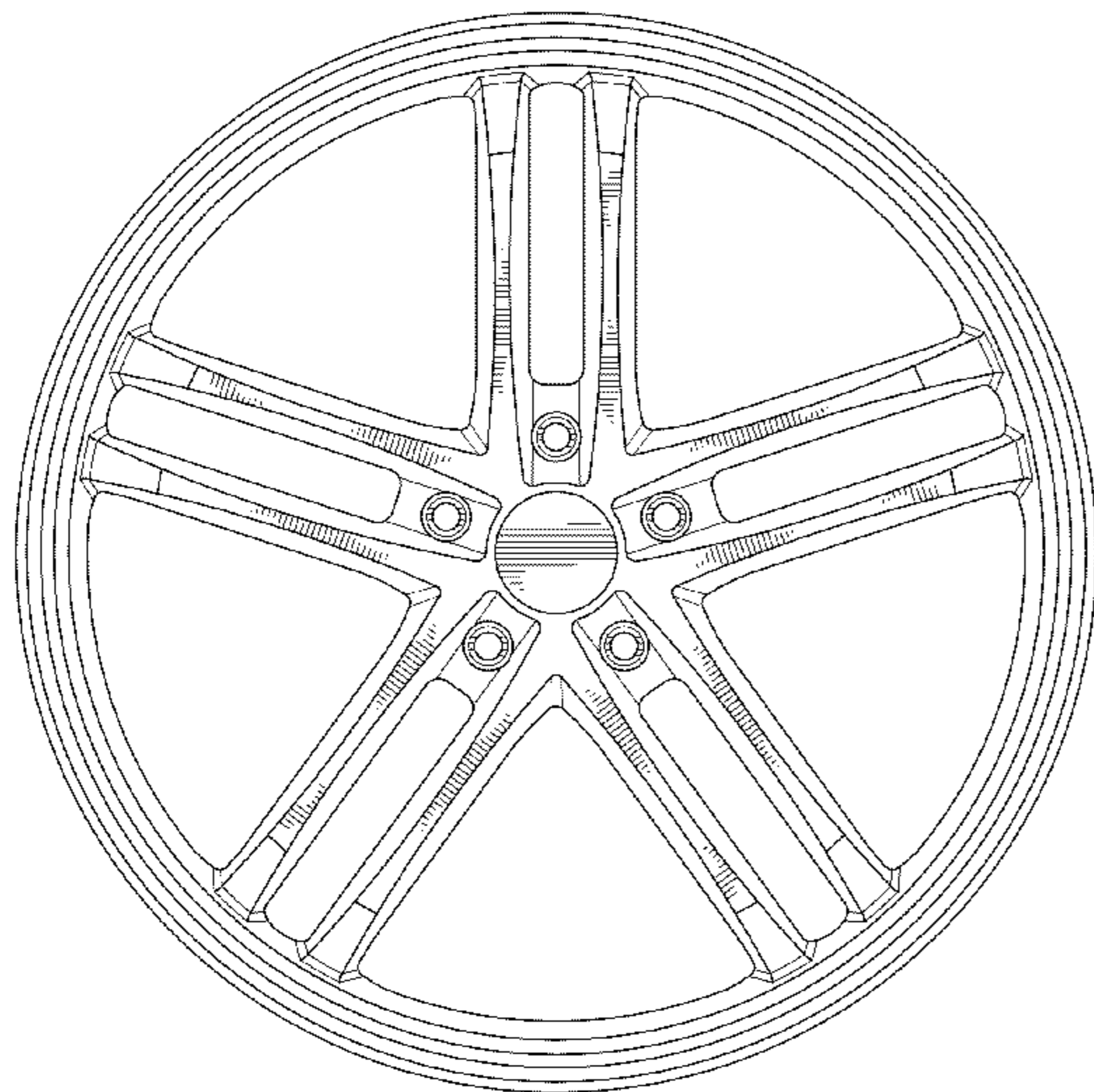
(57) **CLAIM**

The ornamental design for an automobile wheel, as shown and described.

DESCRIPTION

FIG. 1 is a front elevational view of an automobile wheel, showing my new design with 5 spokes;
FIG. 2 is perspective view thereof;
FIG. 3 is a front elevational view of a second embodiment of an automobile wheel, showing my new design with 6 spokes; and,
FIG. 4 is perspective view thereof.
The broken line showing of the rear of the rim is included for the purpose of illustrating environment and forms no part of the claimed design.

1 Claim, 4 Drawing Sheets



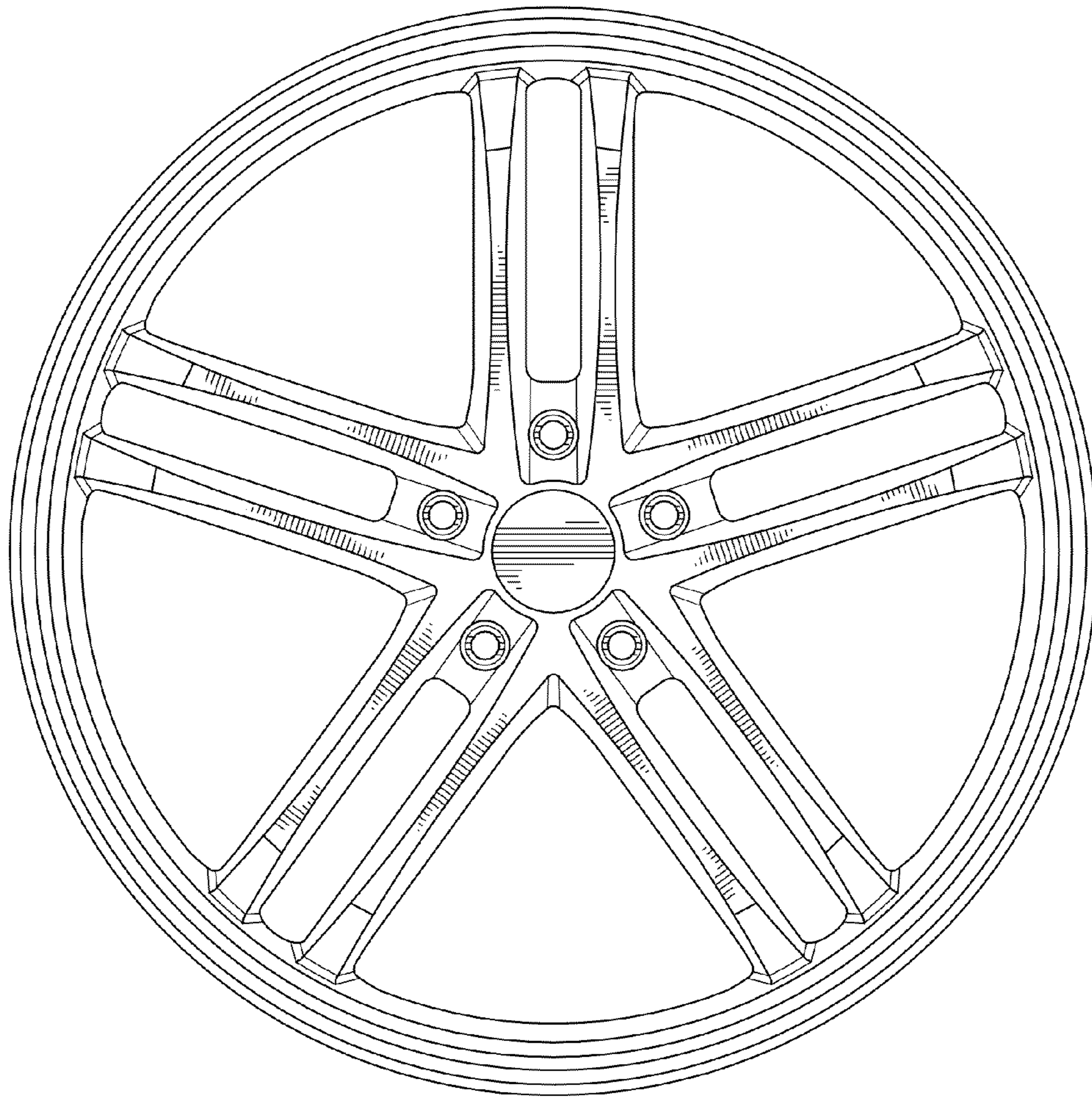


FIG. 1

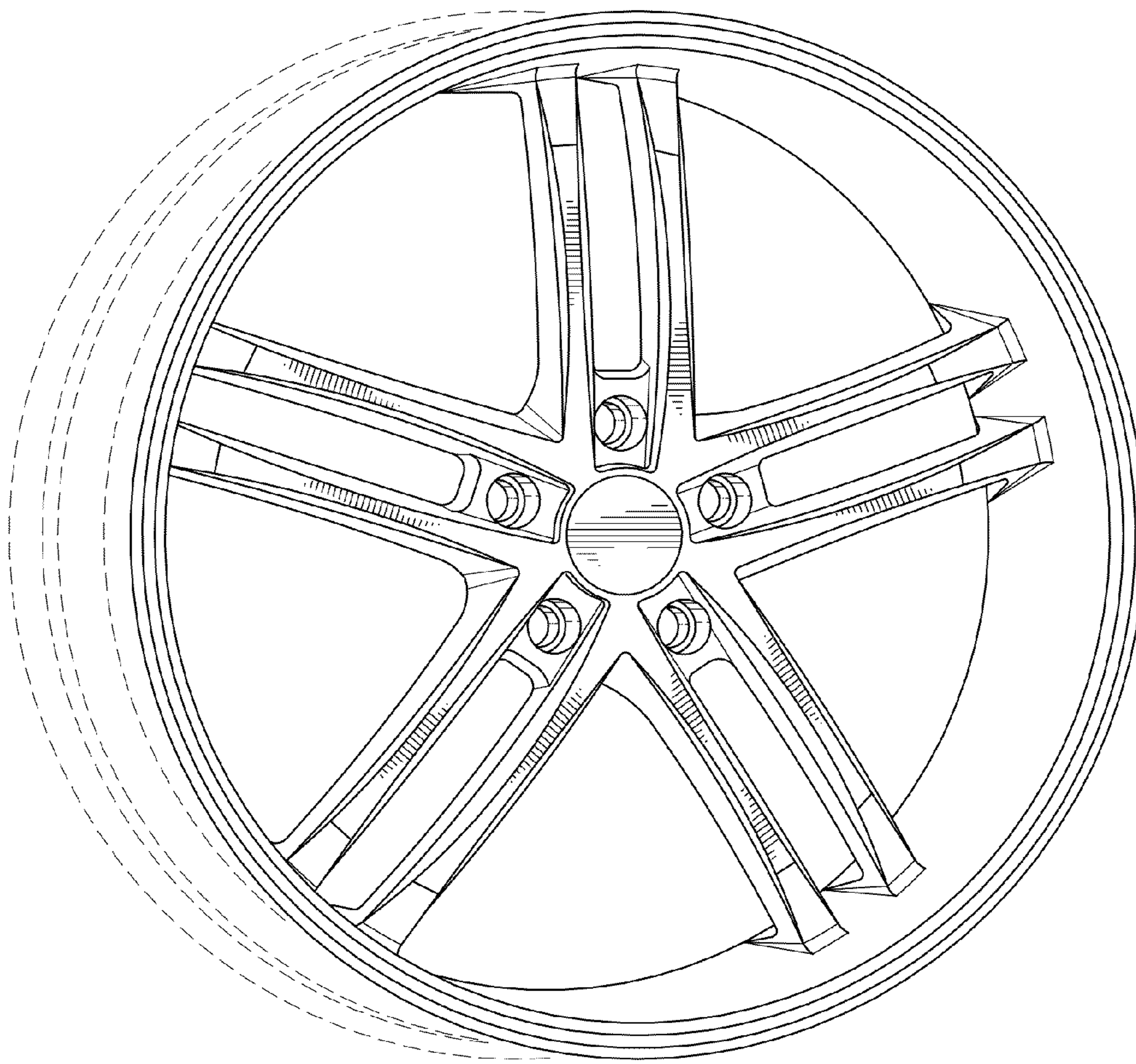


FIG. 2

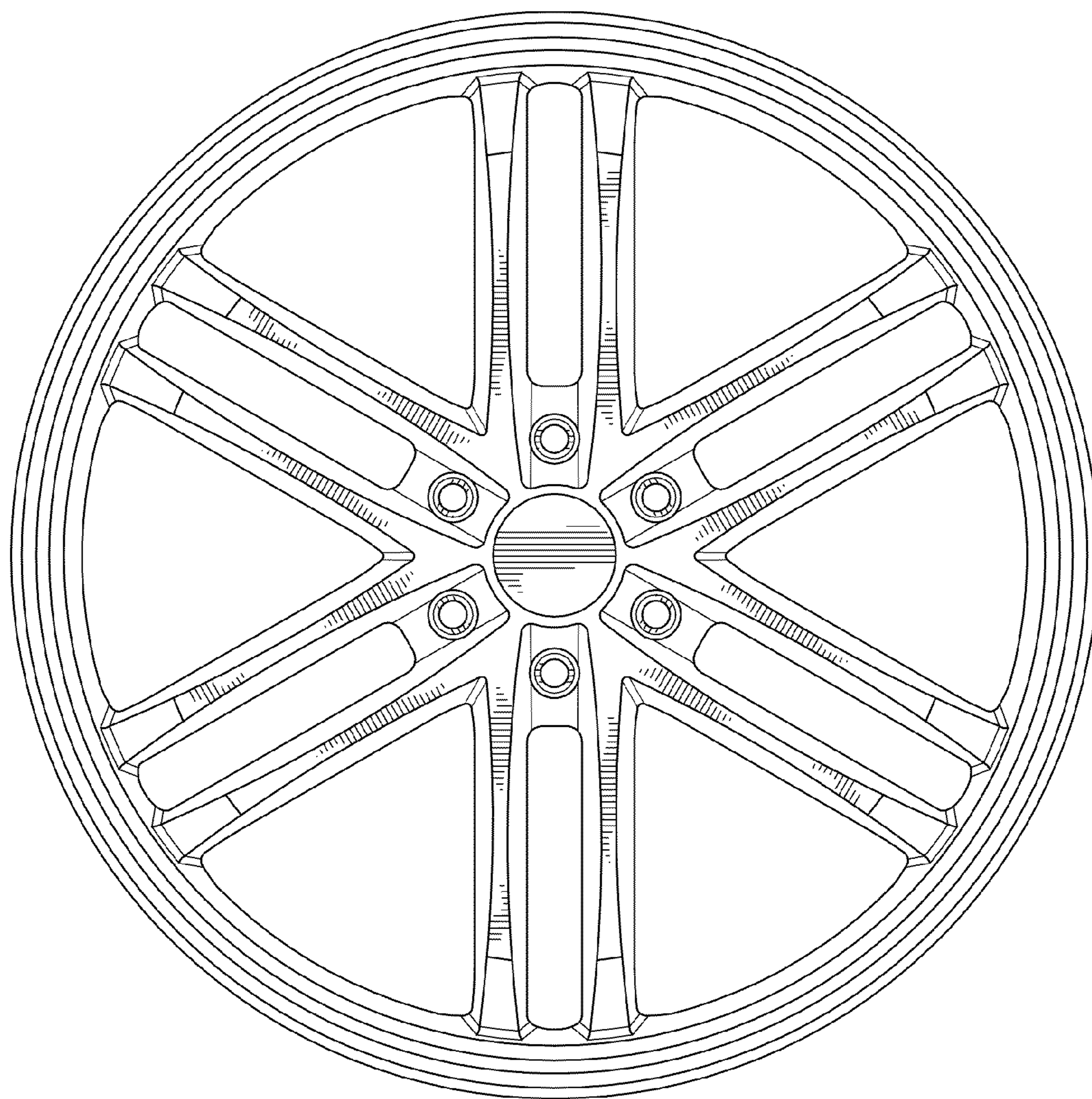


FIG. 3

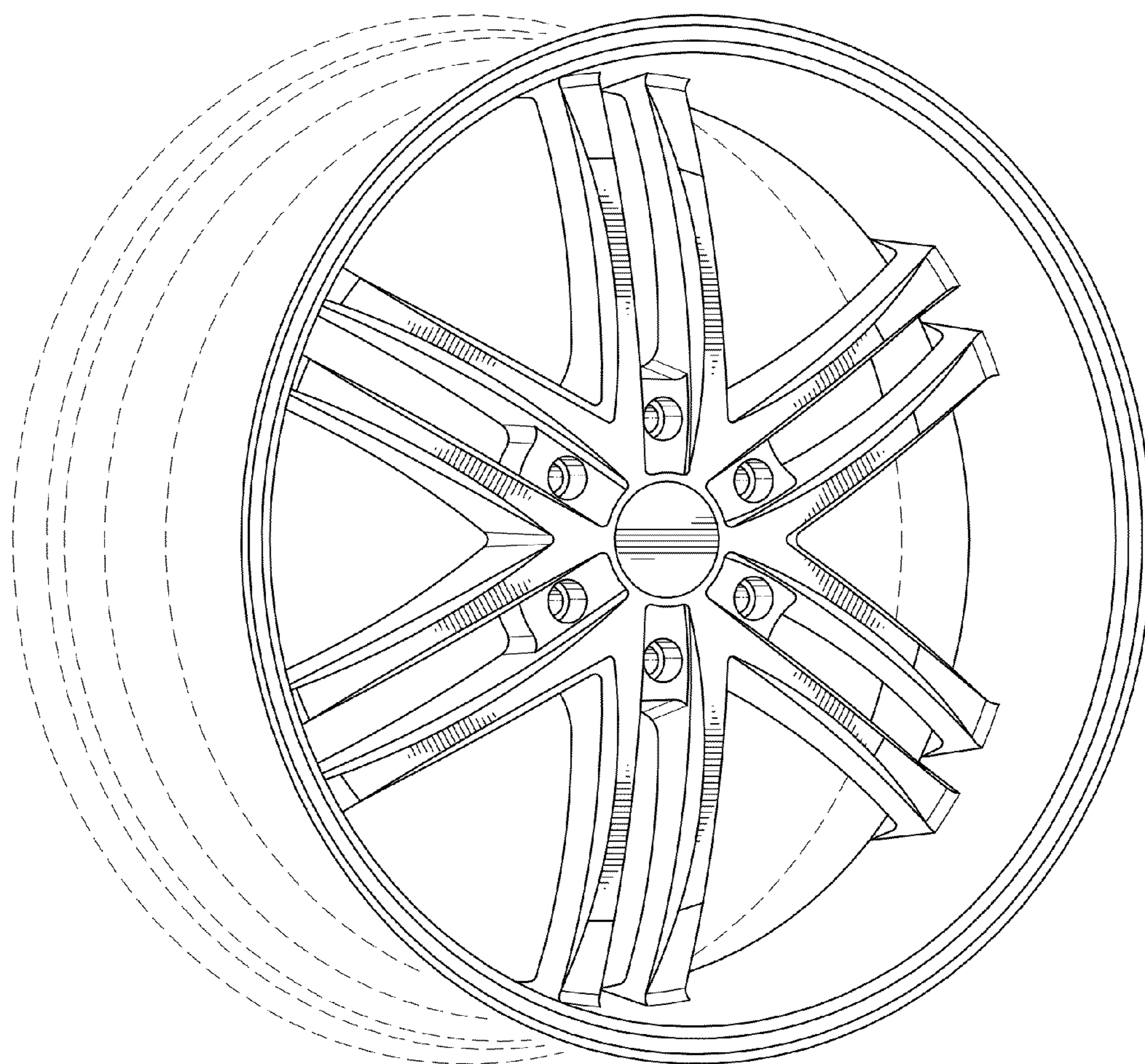


FIG. 4