



US00D726622S

(12) **United States Design Patent**
Vena et al.

(10) **Patent No.:** **US D726,622 S**

(45) **Date of Patent:** **** Apr. 14, 2015**

(54) **WHEEL OR WHEEL COVER**

(71) Applicant: **Daimler AG**, Stuttgart (DE)

(72) Inventors: **Donald Vena**, Vancouver, WA (US);
Paul Shead, Beaverton, OR (US)

(73) Assignee: **Daimler AG**, Stuttgart (DE)

(**) Term: **14 Years**

(21) Appl. No.: **29/510,240**

(22) Filed: **Nov. 26, 2014**

(30) **Foreign Application Priority Data**

May 27, 2014 (EM) 002470930-0001

(51) **LOC (10) Cl.** **12-16**

(52) **U.S. Cl.**
USPC **D12/209**

(58) **Field of Classification Search**

CPC B60B 7/00; B60B 7/02; B60B 7/04;
B60B 7/01; B60B 7/06; B60B 3/02; B60B
3/04; B60B 3/06; B60B 3/10; B60B 1/00;
B60B 1/08; B60B 1/10; B60B 1/12

USPC D12/204-213

See application file for complete search history.

(56) **References Cited**

U.S. PATENT DOCUMENTS

D396,681	S	*	8/1998	Boyer	D12/209
D451,872	S	*	12/2001	Arellano	D12/209
D460,395	S	*	7/2002	Kuribayashi	D12/209
D488,760	S	*	4/2004	Kato	D12/209
D491,510	S	*	6/2004	Koizumi	D12/209
D499,369	S	*	12/2004	Pfeiffer	D12/209
D519,904	S	*	5/2006	Burns	D12/209
D688,184	S	*	8/2013	Campbell et al.	D12/209
D711,304	S	*	8/2014	Chung	D12/209

OTHER PUBLICATIONS

“Transformers 4: Meet the upgraded Optimus Prime, new Autobots,”
Hero Complex, Los Angeles Times, May 30, 2013.
“Western Star Introduces the All-New 5700XE,” Western Star Trucks
Press Releases, Daimler Trucks North America, Sep. 11, 2014.

* cited by examiner

Primary Examiner — Stacia Cadmus

(74) *Attorney, Agent, or Firm* — Crowell & Moring LLP

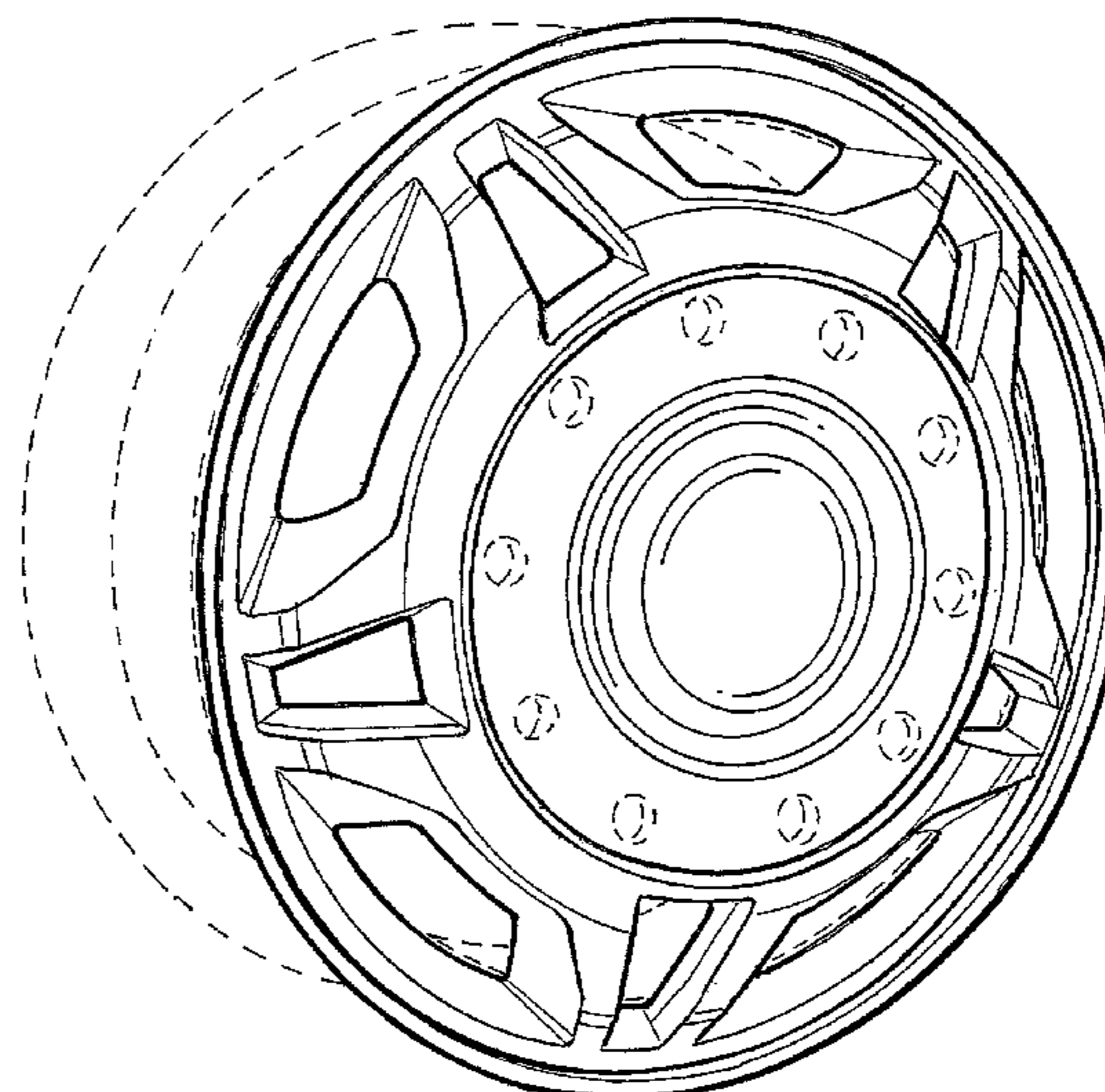
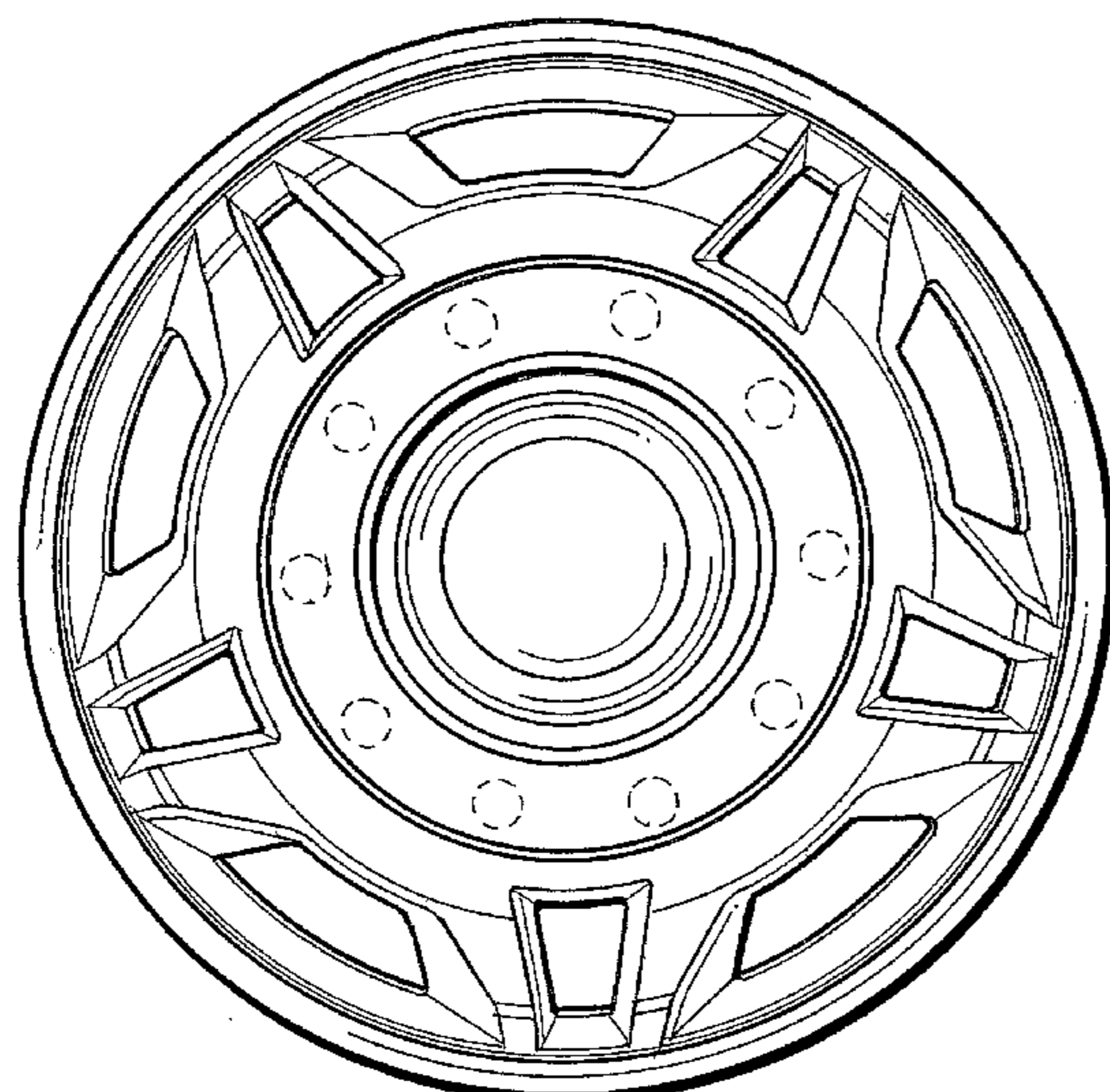
(57) **CLAIM**

The ornamental design for a wheel or wheel cover, as shown
and described.

DESCRIPTION

FIG. 1 is a front view of a wheel or wheel cover according to
the design; and,
FIG. 2 is a perspective view thereof.
The broken line showing of the rear of the wheel and the bolt
holes is included for the purpose of illustrating environment
and forms no part of the claimed design.

1 Claim, 1 Drawing Sheet



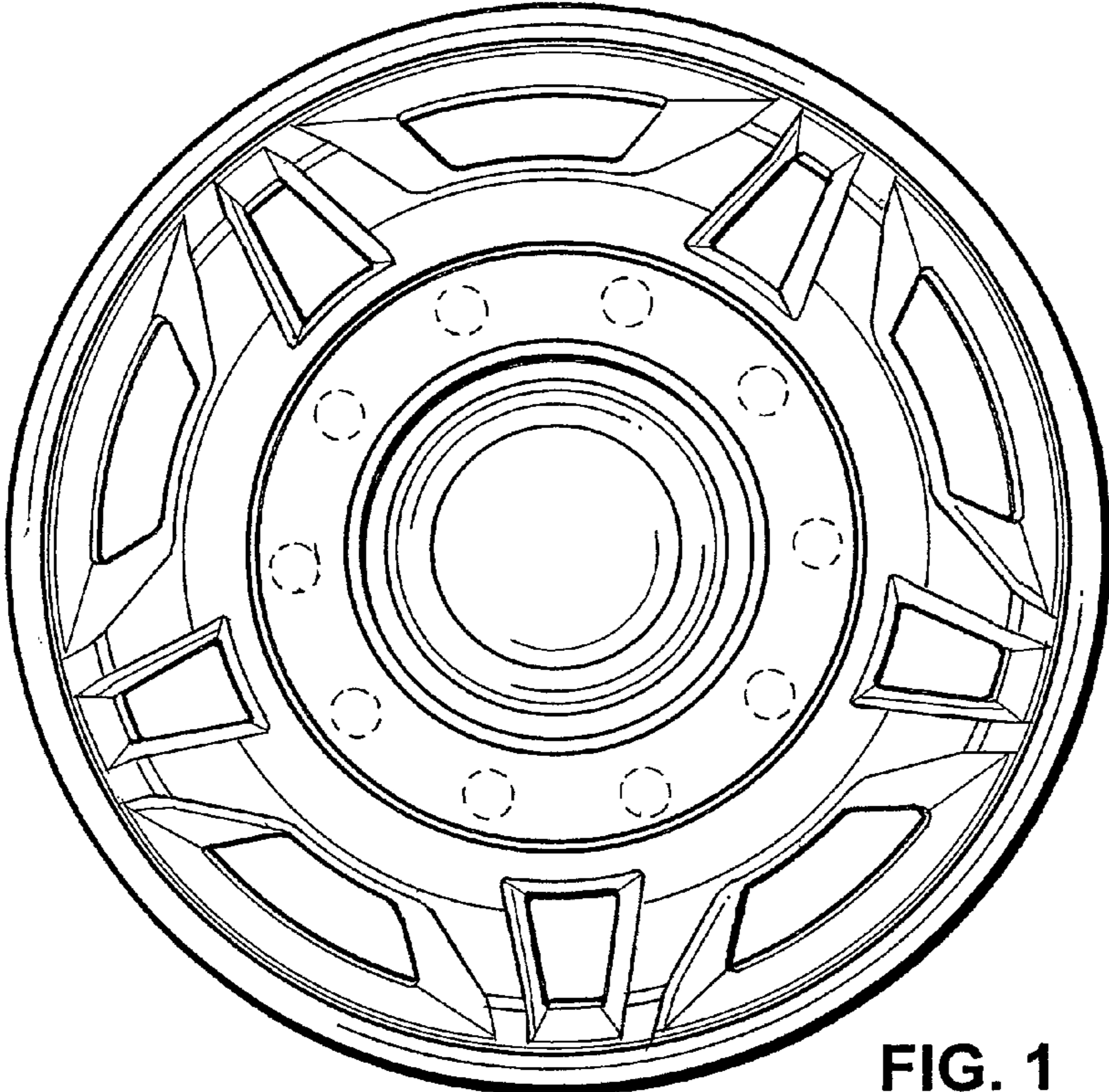


FIG. 1

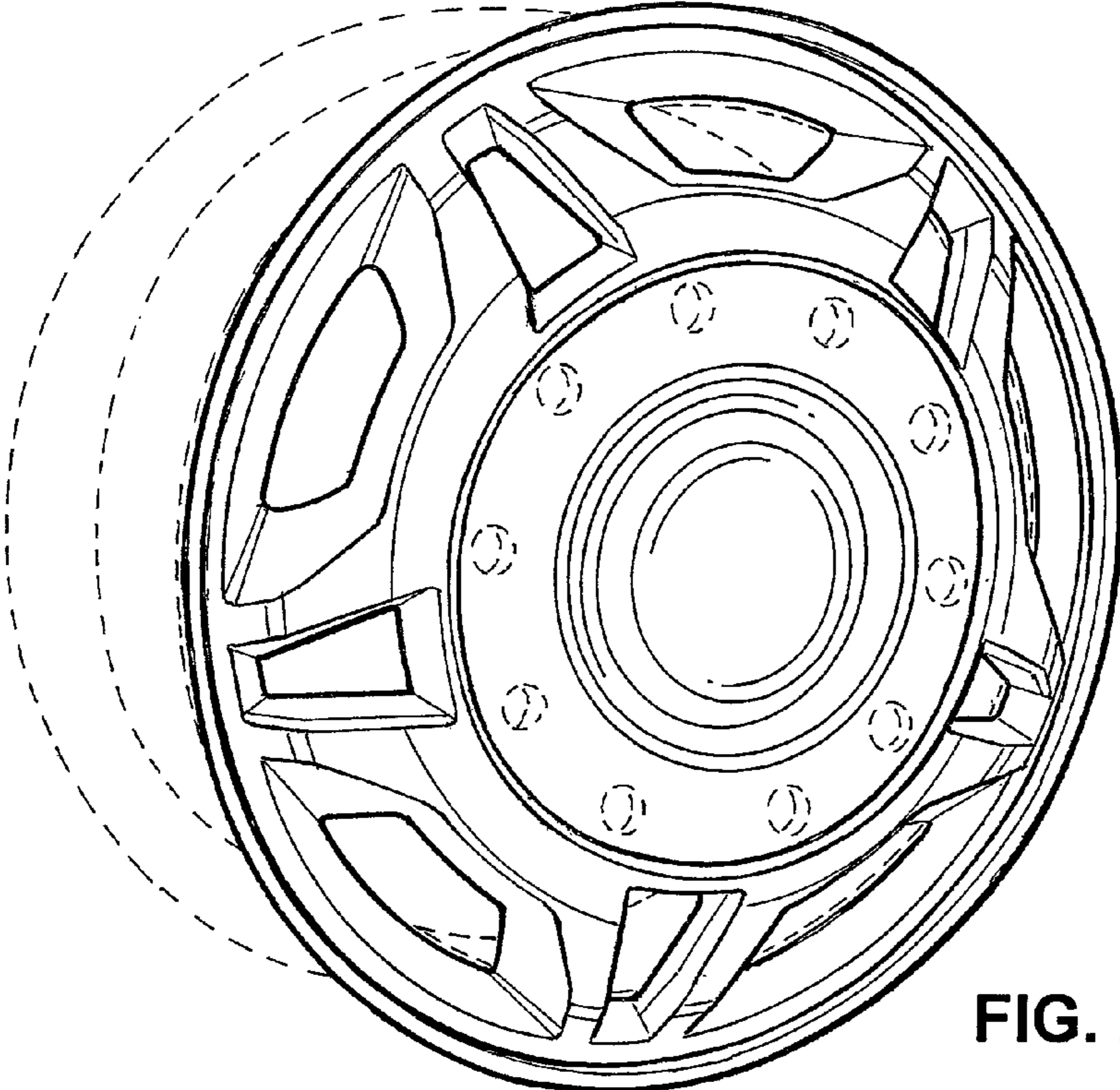


FIG. 2