



US00D726619S

(12) **United States Design Patent**  
**Gotschke et al.**

(10) **Patent No.:** **US D726,619 S**  
(45) **Date of Patent:** **\*\* Apr. 14, 2015**

(54) **VEHICLE WHEEL**

(71) Applicant: **Ford Motor Company**, Dearborn, MI (US)

(72) Inventors: **Wolfgang Gotschke**, Cologne (DE);  
**Ulrike Kolb**, Cologne (DE)

(73) Assignee: **Ford Motor Company**, Dearborn, MI (US)

(\*\*) Term: **14 Years**

(21) Appl. No.: **29/482,062**

(22) Filed: **Feb. 13, 2014**

(51) **LOC (10) Cl.** ..... **12-16**

(52) **U.S. Cl.**  
USPC ..... **D12/209**

(58) **Field of Classification Search**  
CPC ..... B60B 7/00; B60B 7/02; B60B 7/04;  
B60B 7/01; B60B 7/06; B60B 3/02; B60B  
3/04; B60B 3/06; B60B 3/10; B60B 1/00;  
B60B 1/08; B60B 1/10; B60B 1/12  
USPC ..... D12/204-213  
See application file for complete search history.

(56) **References Cited**

U.S. PATENT DOCUMENTS

D593,018 S *	5/2009	Juergens et al. ....	D12/209
D614,107 S *	4/2010	Juergens et al. ....	D12/209
D617,712 S *	6/2010	Juergens et al. ....	D12/209
D633,845 S *	3/2011	Scolari et al. ....	D12/209
D651,956 S *	1/2012	Ectors et al. ....	D12/209
D664,081 S *	7/2012	Muller .....	D12/209
D671,057 S *	11/2012	Tanevski et al. ....	D12/209
D680,483 S *	4/2013	Zhao .....	D12/209
D688,181 S *	8/2013	Gotschke et al. ....	D12/209
D694,165 S *	11/2013	Chinavare .....	D12/209
D697,002 S *	1/2014	Tanevski .....	D12/209
D706,696 S *	6/2014	Chung .....	D12/209
D714,203 S *	9/2014	George et al. ....	D12/209

\* cited by examiner

*Primary Examiner* — Stacia Cadmus

(74) *Attorney, Agent, or Firm* — Damian Porcari

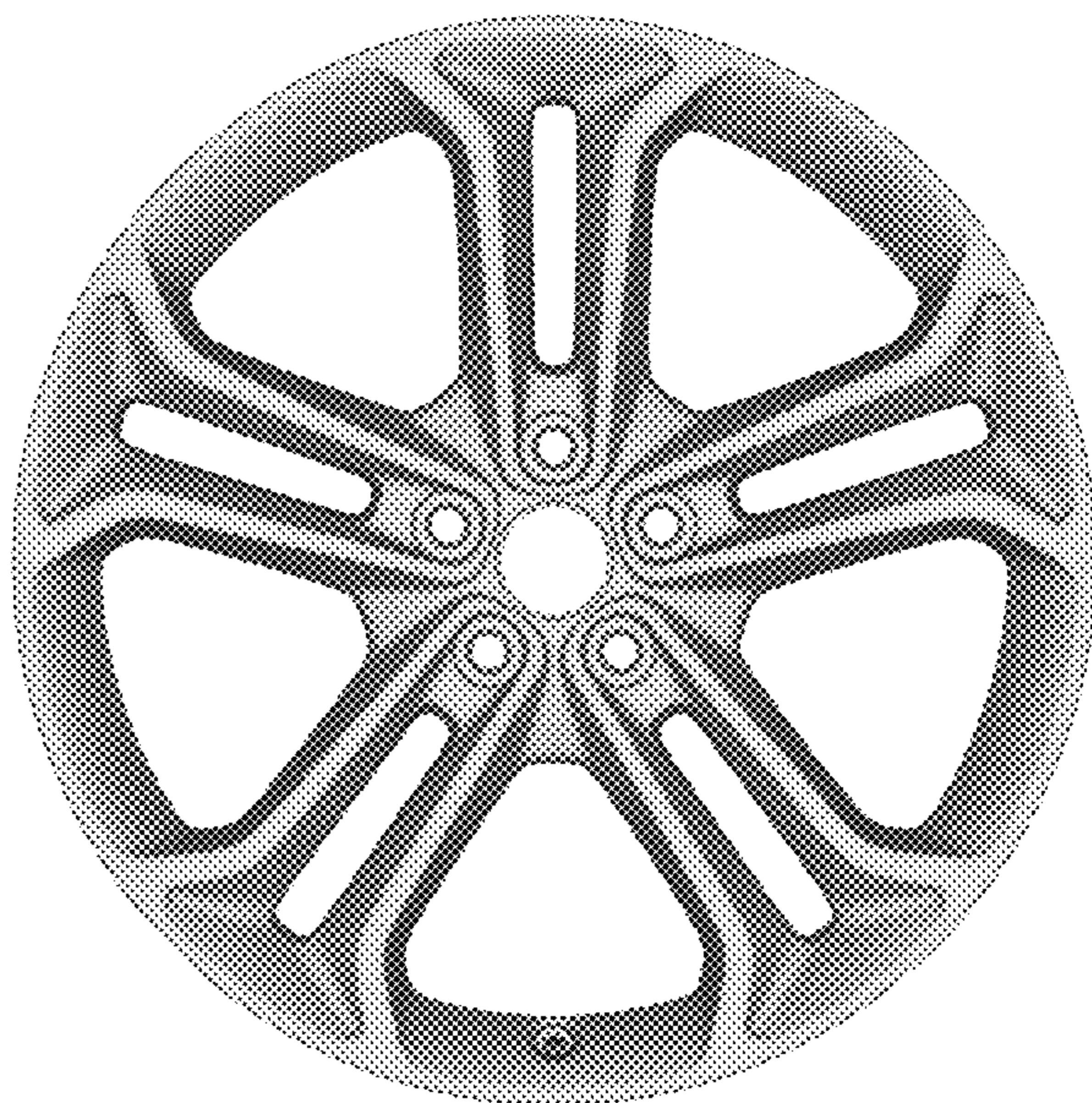
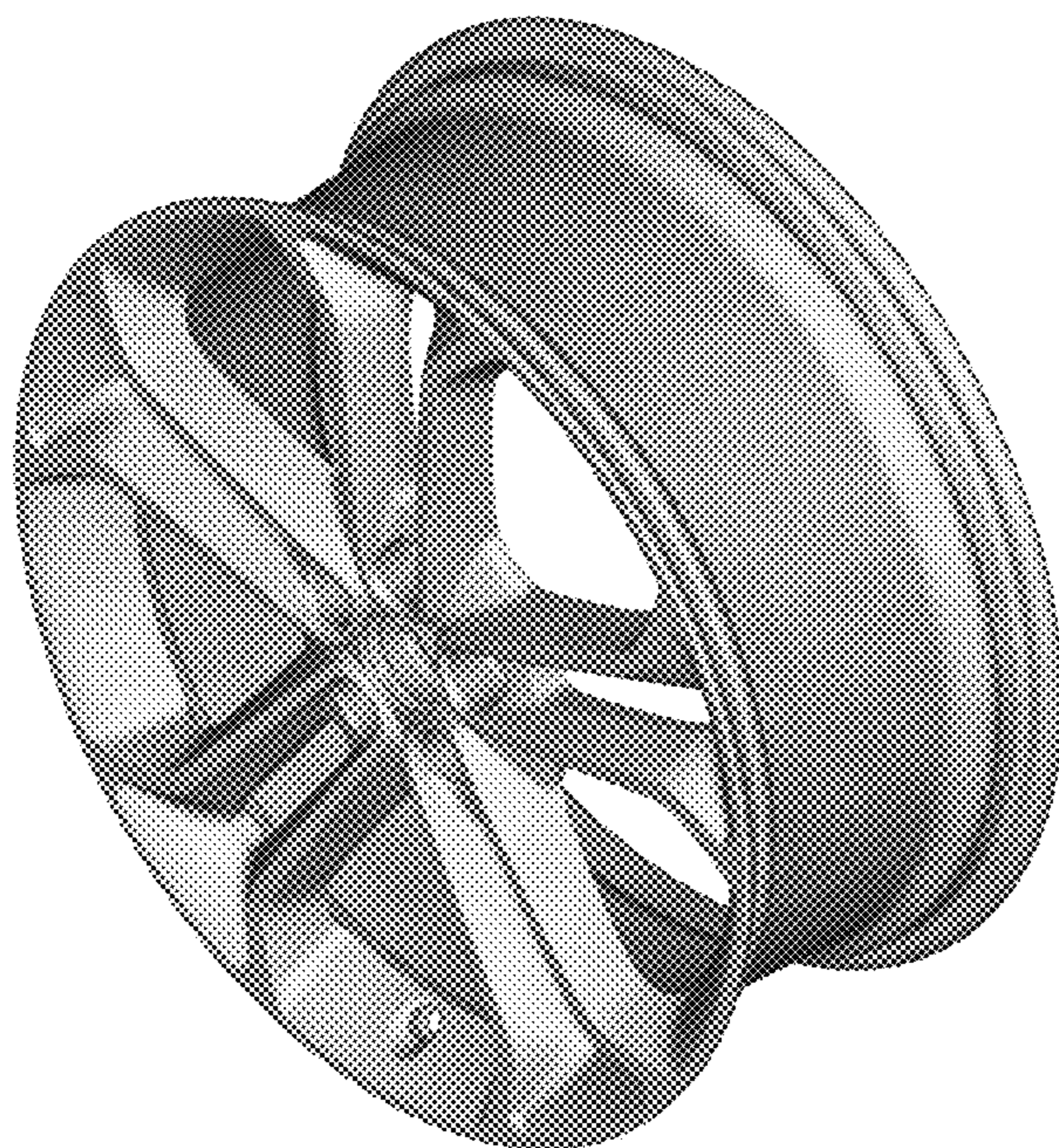
(57) **CLAIM**

The ornamental design for a vehicle wheel, as shown and described.

**DESCRIPTION**

FIG. 1 is a perspective view of a vehicle wheel; and, FIG. 2 is a front view thereof.

**1 Claim, 2 Drawing Sheets**



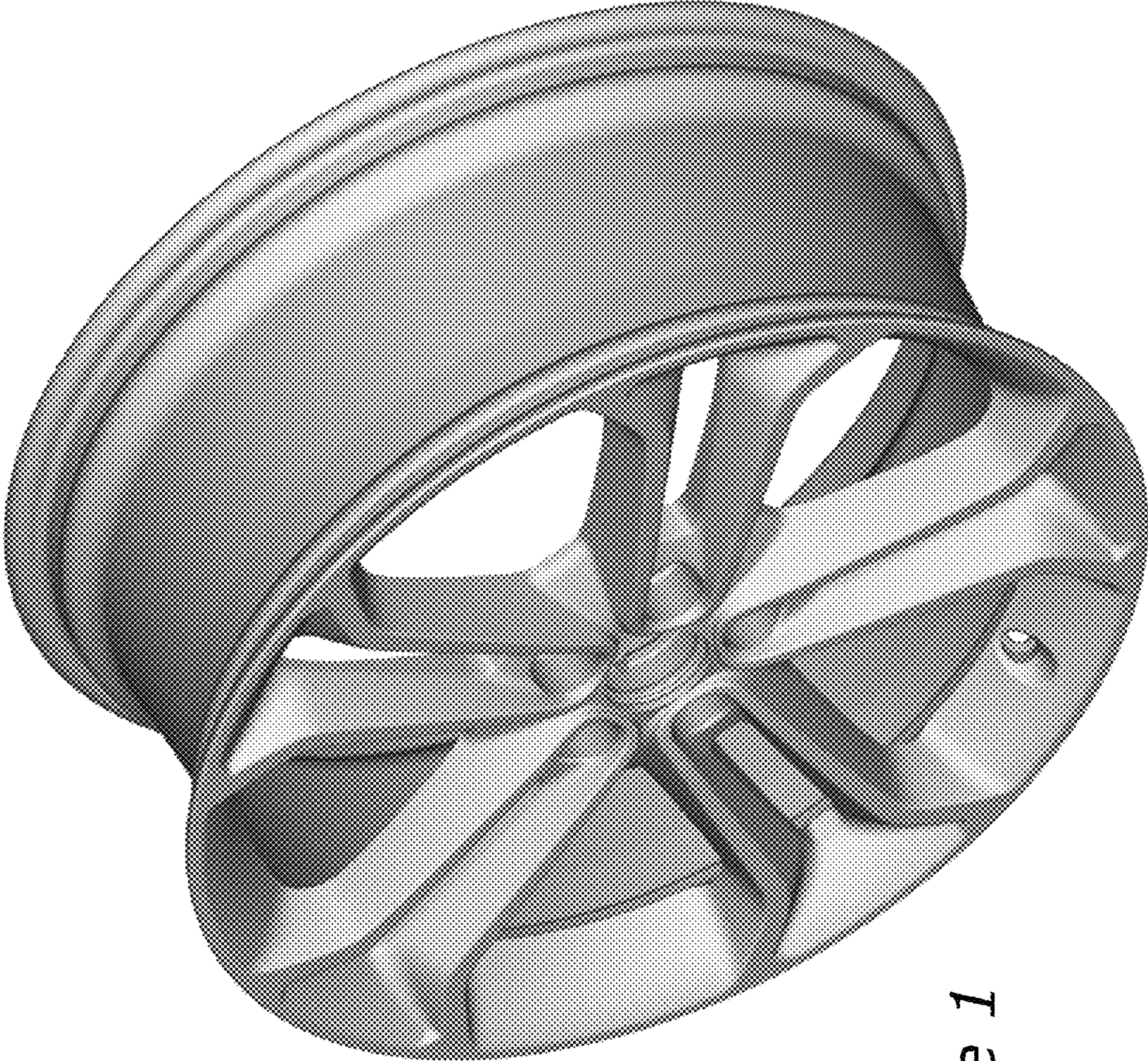


Figure 1



Figure 2