



US00D726618S

(12) **United States Design Patent**
Dingle et al.

(10) **Patent No.:** **US D726,618 S**

(45) **Date of Patent:** **** *Apr. 14, 2015**

(54) **VEHICLE WHEEL**

(75) Inventors: **Matthew Edward Dingle**, Torquay (AU); **Ashley James Denmead**, Belmont (AU); **Michael Dunbar Silcock**, Caulfield North (AU); **Donald Brett Gass**, Forest Lake, MN (US)

(73) Assignee: **Carbon Revolution Pty Ltd**, Melbourne, Victoria (AU)

(*) Notice: This patent is subject to a terminal disclaimer.

(**) Term: **14 Years**

(21) Appl. No.: **29/424,584**

(22) Filed: **Jun. 13, 2012**

(51) **LOC (10) Cl.** **12-16**

(52) **U.S. Cl.**
USPC **D12/209**

(58) **Field of Classification Search**
CPC B60B 7/00; B60B 7/02; B60B 7/04; B60B 7/01; B60B 7/06; B60B 3/02; B60B 3/04; B60B 3/06; B60B 3/10; B60B 1/00; B60B 1/08; B60B 1/10; B60B 1/12
USPC D12/204-213
See application file for complete search history.

(56) **References Cited**

U.S. PATENT DOCUMENTS

D457,118 S *	5/2002	Bhambra	D12/211
D520,435 S *	5/2006	Kulla et al.	D12/211
D552,524 S *	10/2007	Tirado	D12/209
D597,920 S *	8/2009	Idei	D12/211
D599,268 S *	9/2009	Bernoni	D12/211
D617,244 S *	6/2010	Zhao	D12/209
D619,075 S *	7/2010	Zhao	D12/211
D623,111 S *	9/2010	Spoerle	D12/211
D625,240 S *	10/2010	George et al.	D12/211
D632,239 S *	2/2011	Gallert	D12/211
D633,840 S *	3/2011	Johnson	D12/209
D638,765 S *	5/2011	Yoon	D12/211
D656,445 S *	3/2012	Lee	D12/209
D660,220 S *	5/2012	Chan	D12/211
D707,609 S *	6/2014	Curtis	D12/211

* cited by examiner

Primary Examiner — Stacia Cadmus

(74) *Attorney, Agent, or Firm* — K&L Gates LLP

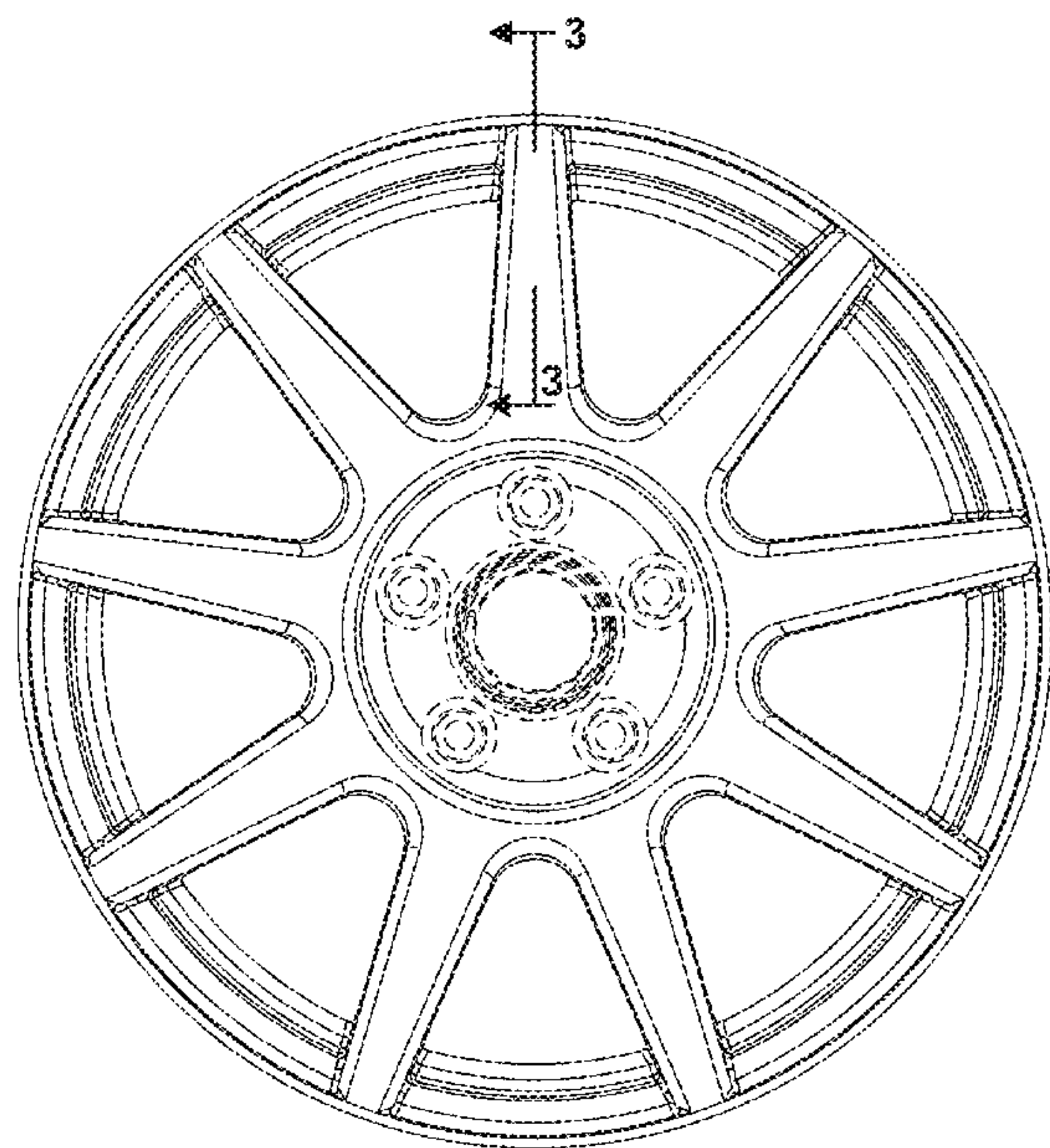
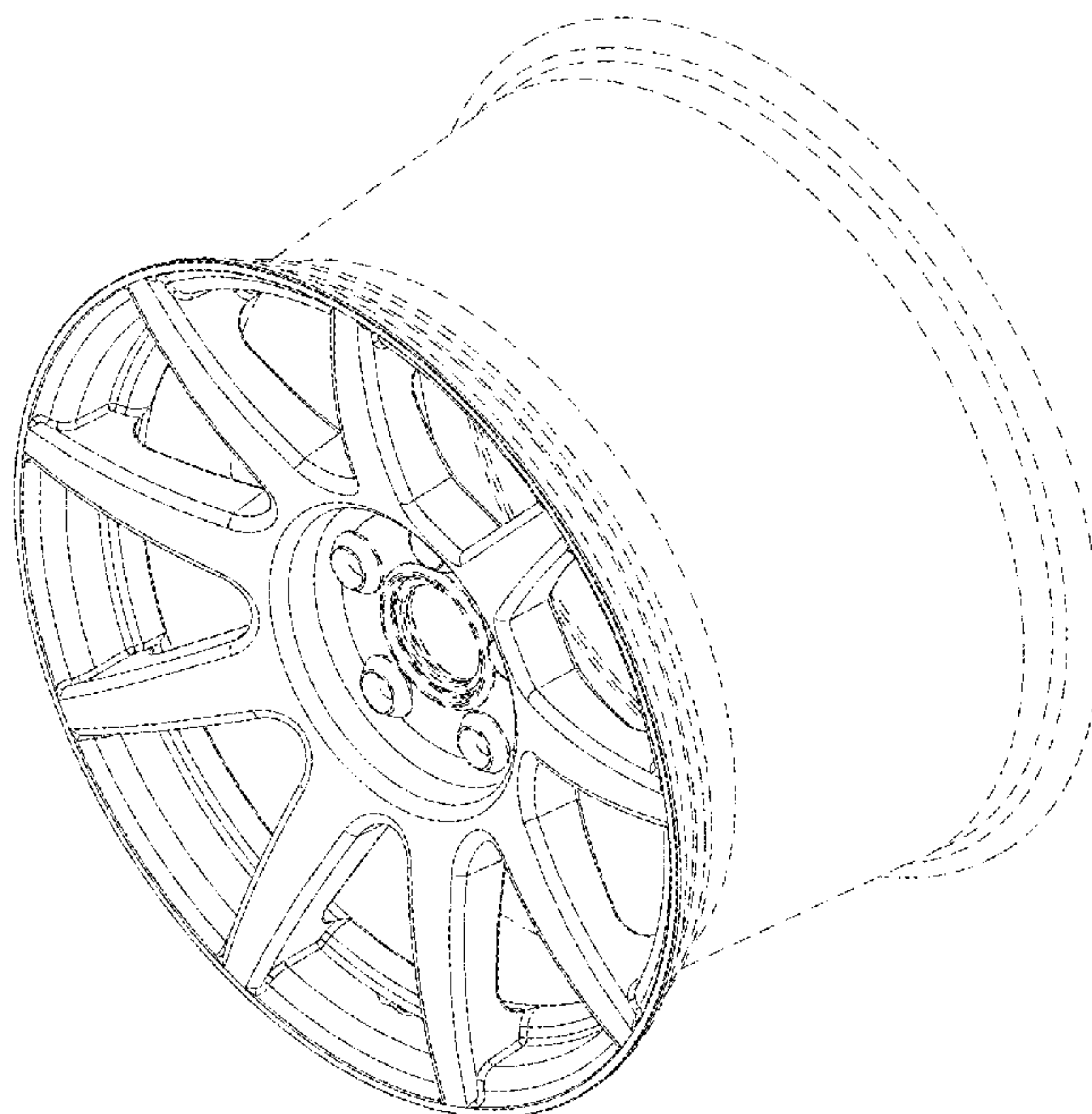
(57) **CLAIM**

The ornamental design for a vehicle wheel, as shown and described.

DESCRIPTION

FIG. 1 is a perspective view of a vehicle wheel, showing our new design; and
FIG. 2 is a front view thereof; and,
FIG. 3 is a section view taken along line 3-3 in FIG. 2.
The broken line showing of the rear portion of the wheel, the bolt holes and the center hole in the central hub area is included for the purpose of illustrating environment and forms no part of the claimed design.

1 Claim, 2 Drawing Sheets



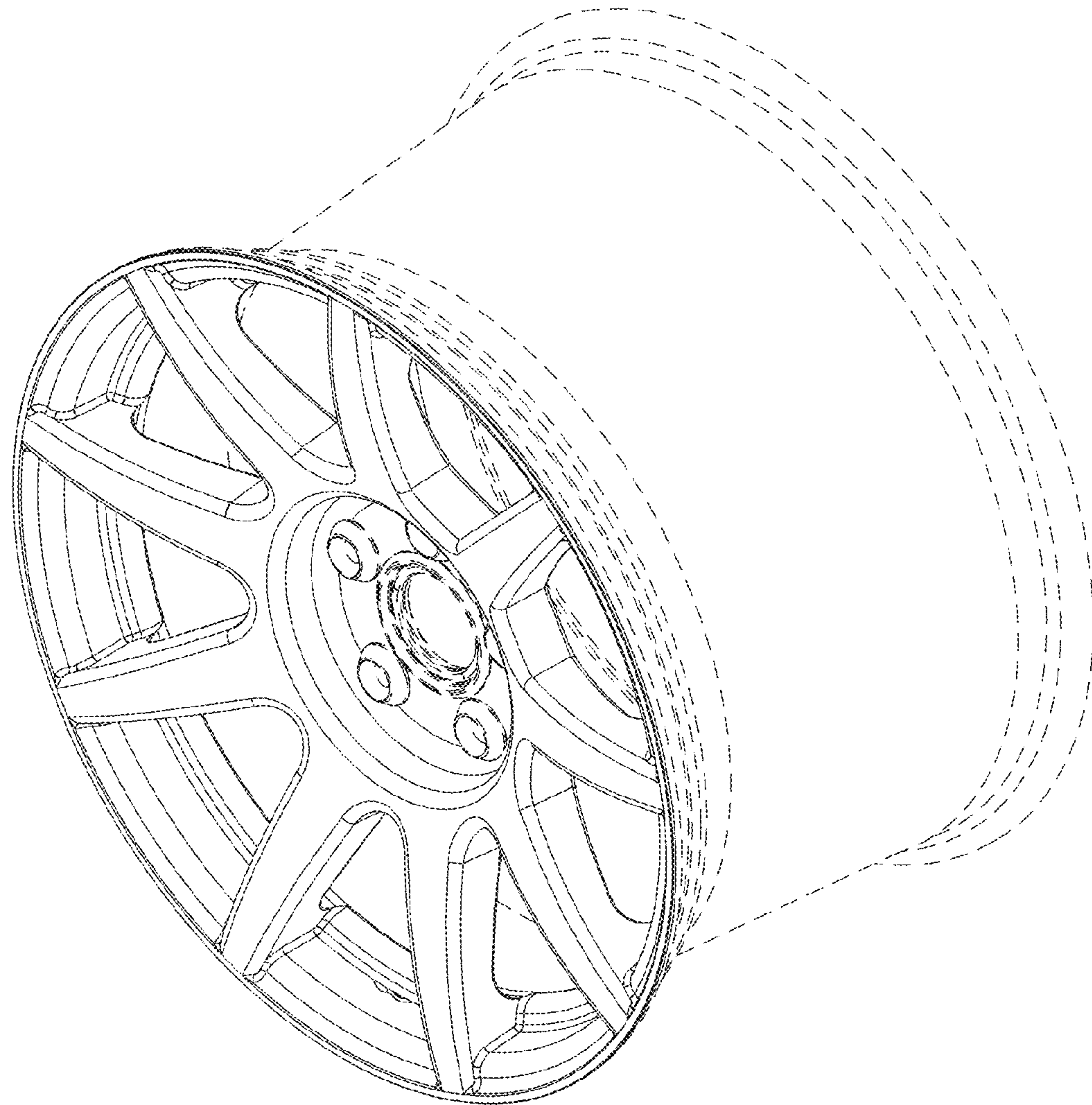


FIG 1

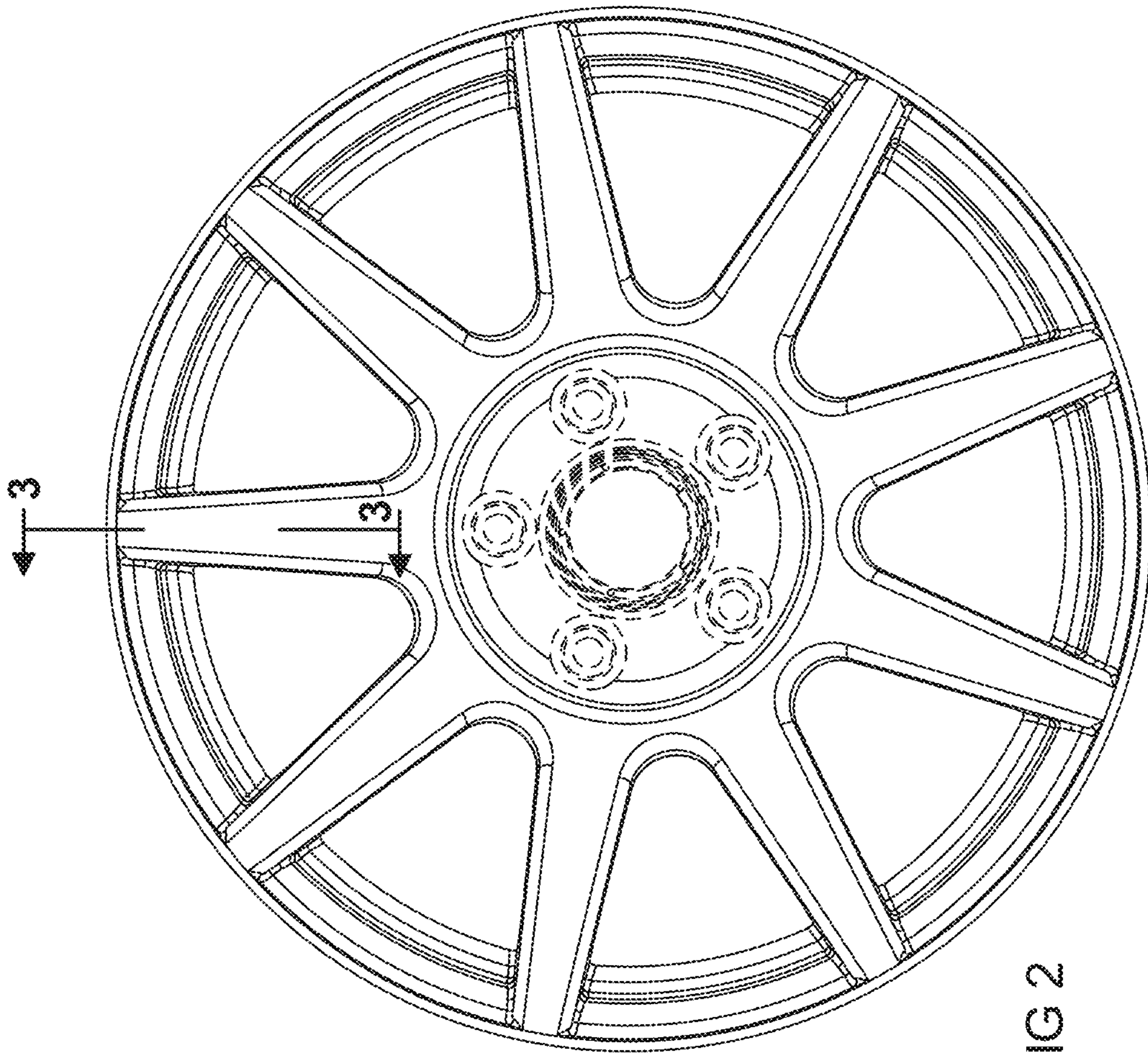


FIG 2

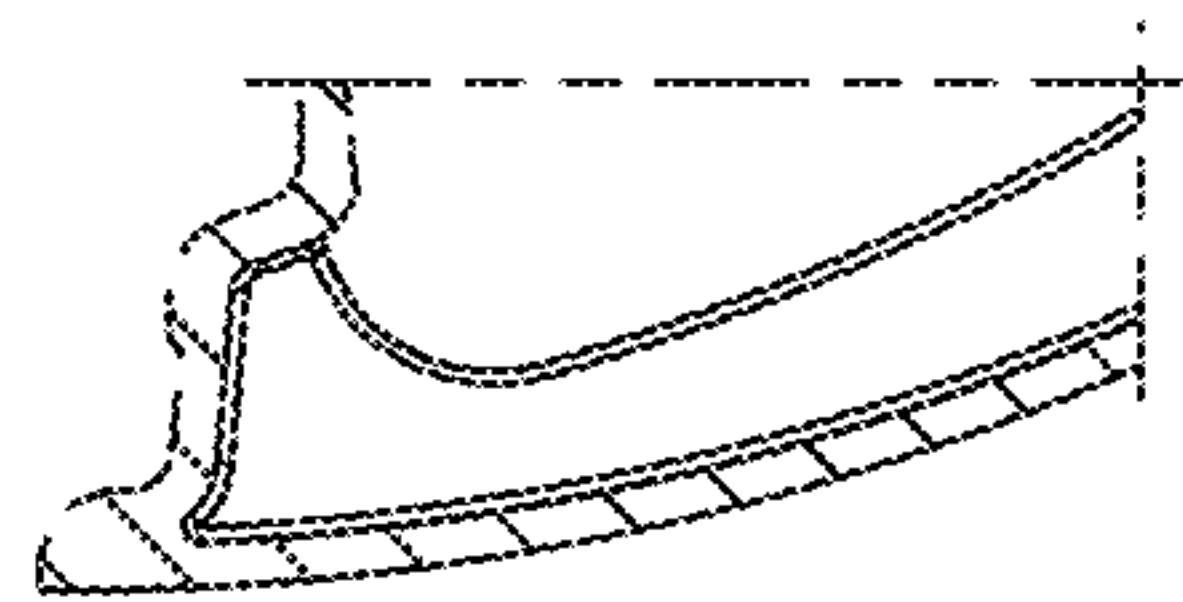


FIG 3