



US00D726616S

(12) **United States Design Patent**
Greene et al.

(10) **Patent No.:** **US D726,616 S**

(45) **Date of Patent:** **** Apr. 14, 2015**

(54) **GULL WING DOOR**

(71) Applicant: **Spintek Filtration, Inc.**, Los Alamitos, CA (US)

(72) Inventors: **William Greene**, Long Beach, CA (US); **Jose Pauletti**, Irvine, CA (US); **Jason Gilmour**, Fountain Valley, CA (US)

(73) Assignee: **Spintek Filtration, Inc.**, Los Alamitos, CA (US)

(**) Term: **14 Years**

(21) Appl. No.: **29/489,486**

(22) Filed: **Apr. 30, 2014**

(51) **LOC (10) Cl.** **12-16**

(52) **U.S. Cl.**
USPC **D12/196**

(58) **Field of Classification Search**
CPC E05Y 2900/531; E05Y 2900/546;
E05D 5/062; E05D 3/127; B60J 5/0472;
B60J 5/0473; B60J 5/047; B60J 5/06
USPC D12/196, 190, 195, 82, 86, 90, 91, 92,
D12/96, 99; 296/181.1, 181.5, 146.11,
296/146.1, 146.13; 49/502, 503, 36, 40
See application file for complete search history.

(56) **References Cited**

U.S. PATENT DOCUMENTS

D150,161	S	*	7/1948	Baptiste-Sanmori	D12/91
D276,326	S	*	11/1984	Bell, Jr.	D12/96
5,035,463	A	*	7/1991	Kato et al.	296/223
5,992,918	A	*	11/1999	Gobart et al.	296/146.13
6,247,747	B1	*	6/2001	Kawanomoto et al.	296/191
6,820,918	B1	*	11/2004	DeBono	296/146.11
D543,900	S	*	6/2007	Lian	D12/96
D603,299	S	*	11/2009	Prusmack	D12/102
D708,103	S	*	7/2014	Watkins et al.	D12/196
8,794,692	B1	*	8/2014	Burke	296/146.11
2007/0120395	A1	*	5/2007	Geyrhofer et al.	296/146.11
2007/0126260	A1	*	6/2007	Geyrhofer et al.	296/146.12

2007/0158974	A1	*	7/2007	Woodhouse et al.	296/146.11
2007/0164066	A1	*	7/2007	Jones	224/328
2007/0283535	A1	*	12/2007	Hoffman	16/366

(Continued)

Primary Examiner — Cathron Brooks

Assistant Examiner — Clese Moore, Jr.

(74) *Attorney, Agent, or Firm* — Carmody Torrance Sandak & Hennessey LLP

(57) **CLAIM**

The ornamental design for a gull wing door, as shown and described.

DESCRIPTION

FIG. 1 is a perspective view of a gull wing door in a closed position showing my new design;

FIG. 2 is a front elevational view of the gull wing door in the closed position of FIG. 1.

FIG. 3 is a first end elevational view of the gull wing door of FIG. 1;

FIG. 4 is a second end elevational view of the gull wing door of FIG. 1;

FIG. 5 is a top plan view of the gull wing door in the closed position of FIG. 1;

FIG. 6 is a perspective view of a gull wing door in an open position showing my new design;

FIG. 7 is a front elevational view of the gull wing door in the open position of FIG. 6;

FIG. 8 is a first end elevational view of the gull wing door in the open position of FIG. 6;

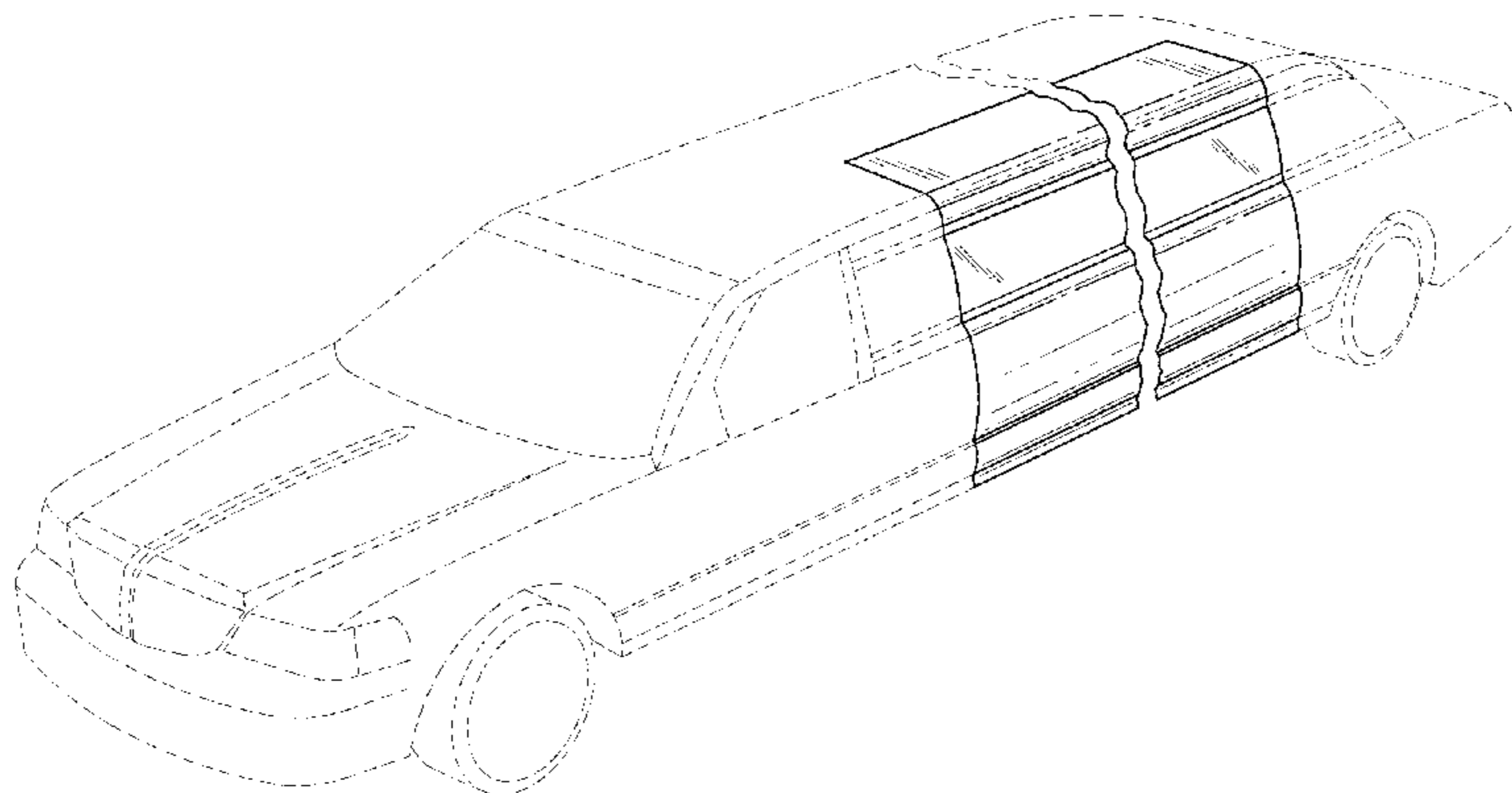
FIG. 9 is a second end elevational view of the gull wing door in the open position of FIG. 6; and,

FIG. 10 is a top plan view of the gull wing door in the open position of FIG. 6.

The gull wing door is shown with a symbolic break in its length. The appearance of any portion of the article between the break lines forms no part of the claimed design.

The broken lines shown illustrate environmental structure, and form no part of the claimed design.

1 Claim, 8 Drawing Sheets



US D726,616 S

Page 2

(56)

References Cited

2010/0276966 A1* 11/2010 Gojcaj 296/146.11
2014/0059925 A1* 3/2014 Marsh 47/17

U.S. PATENT DOCUMENTS

2008/0104890 A1* 5/2008 Starheim et al. 49/346 * cited by examiner

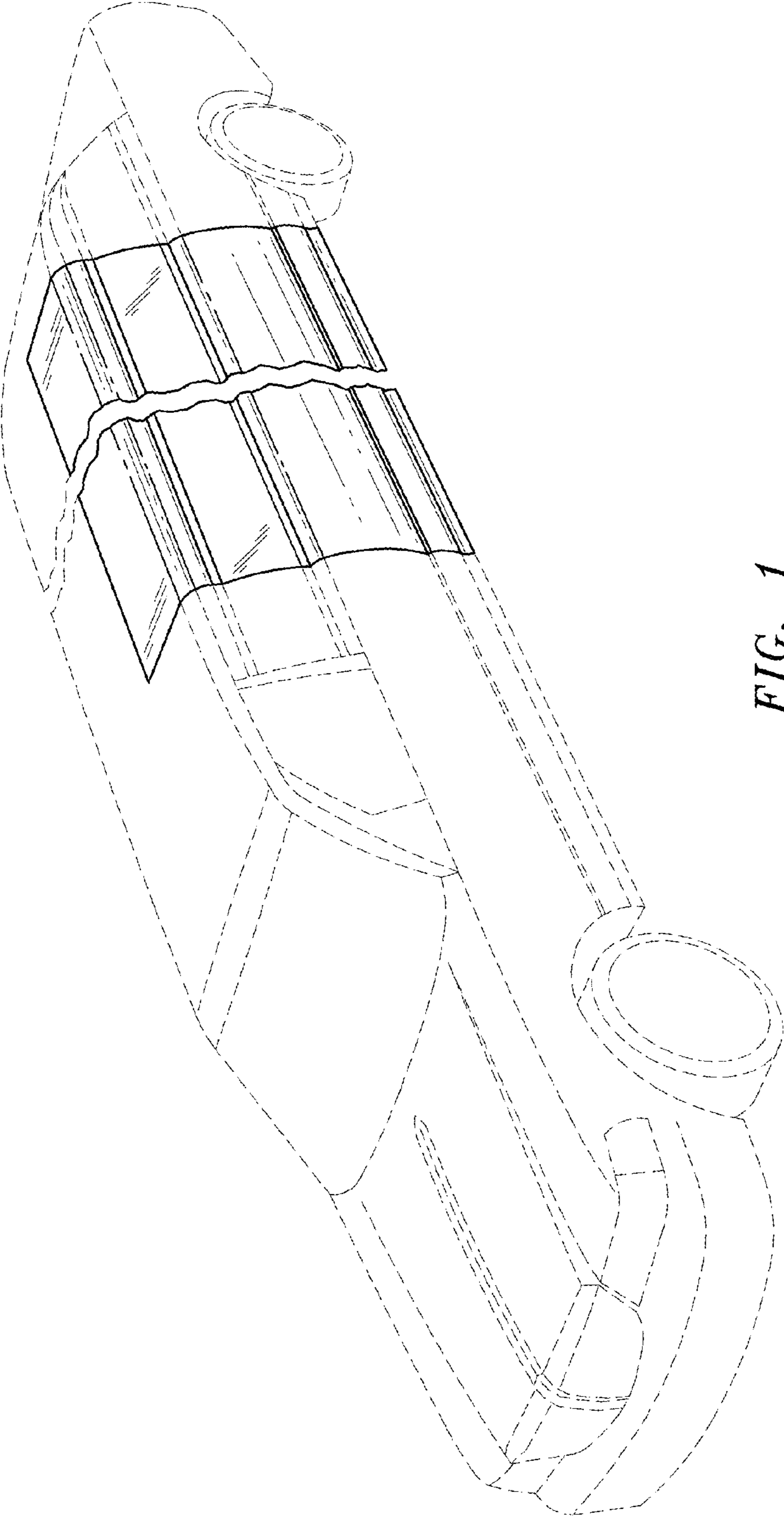


FIG. 1

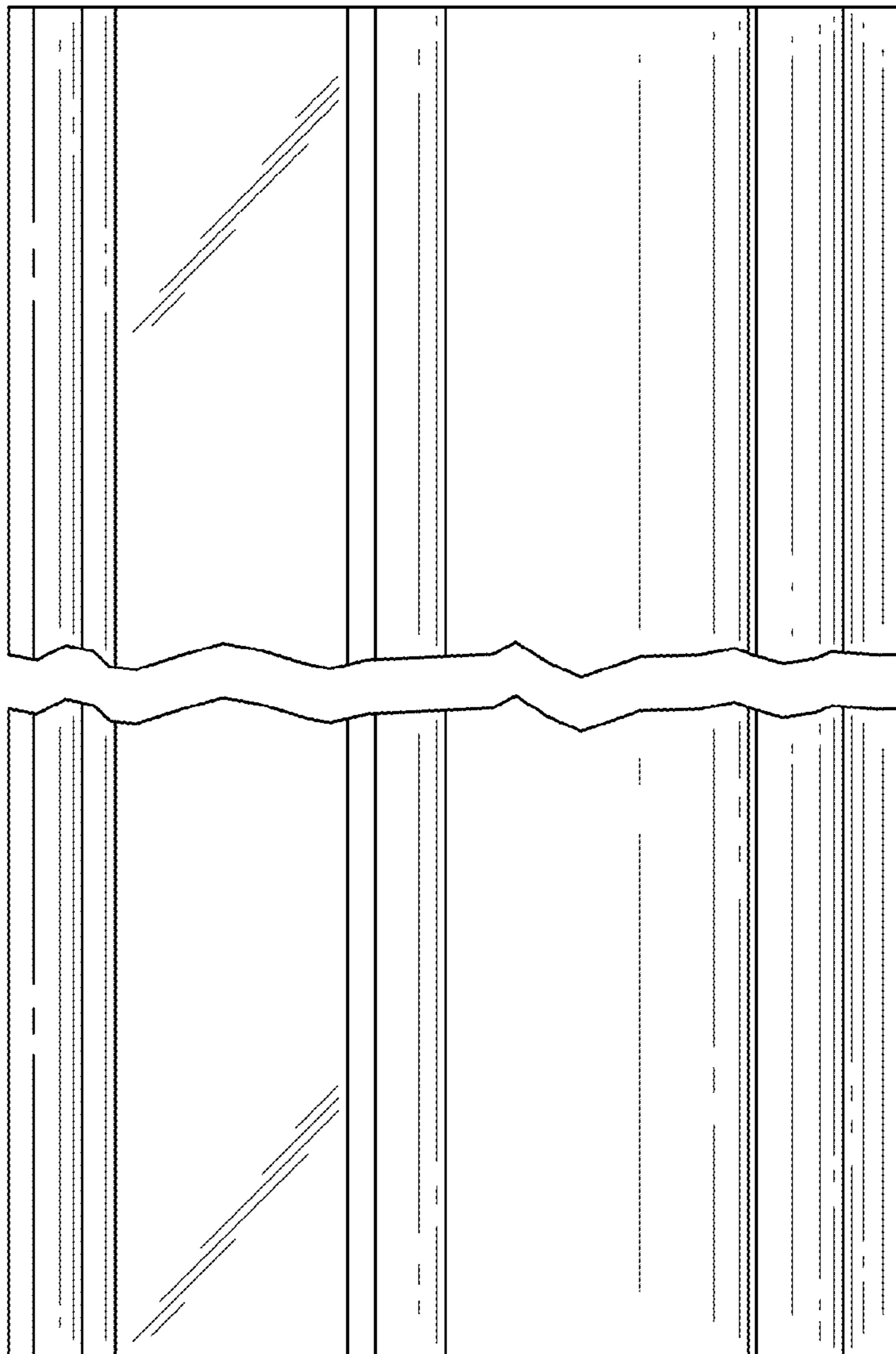


FIG. 2

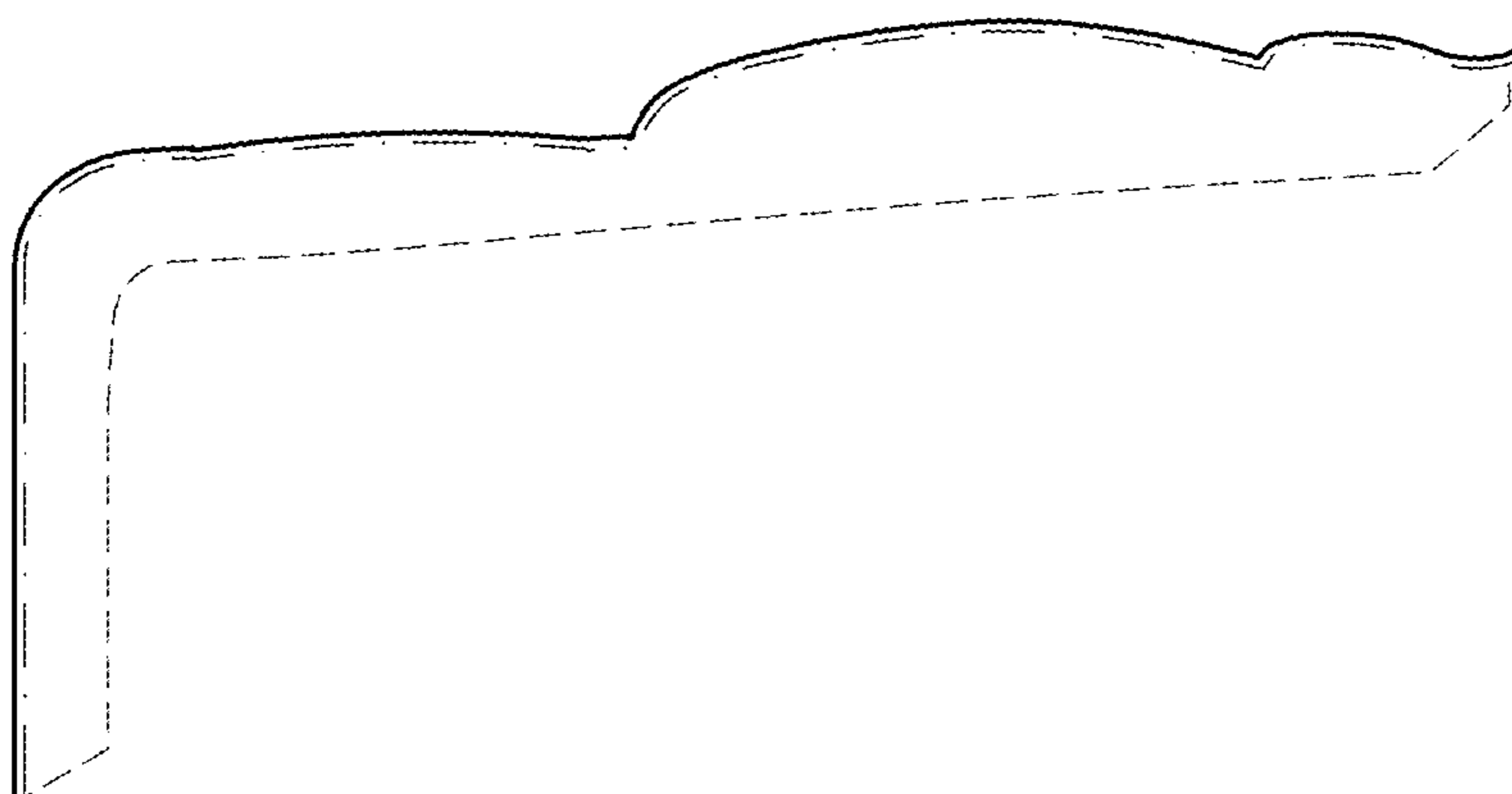


FIG. 3



FIG. 4

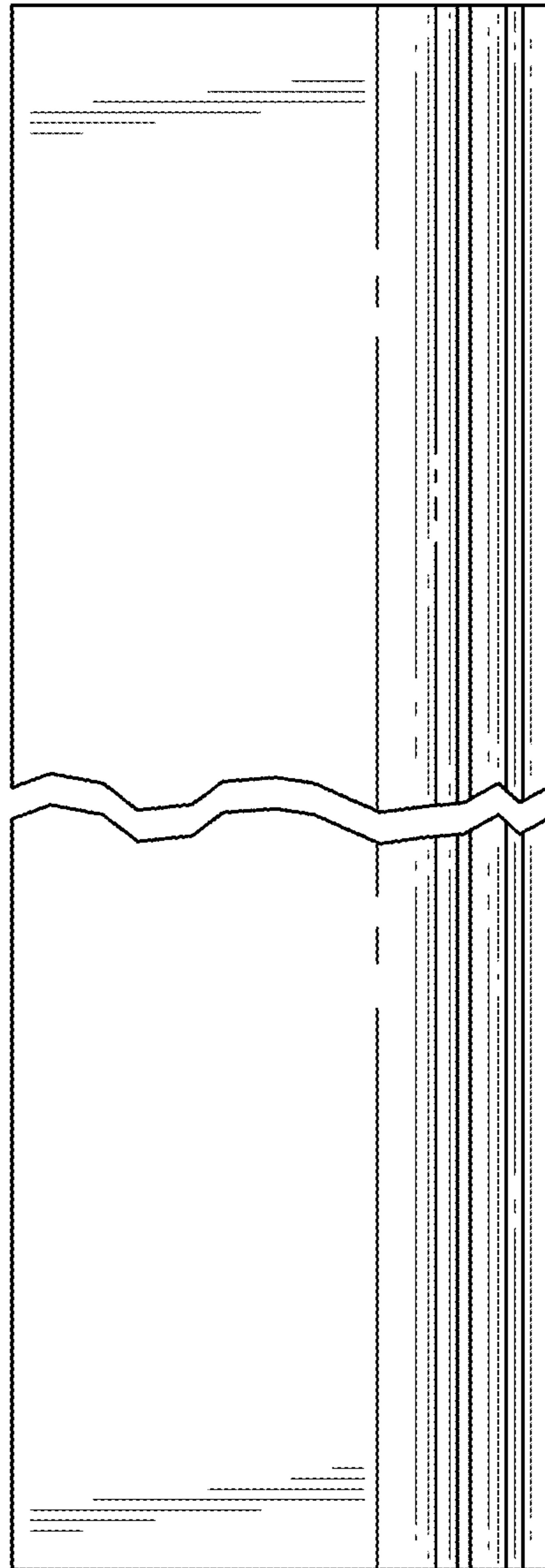


FIG. 5

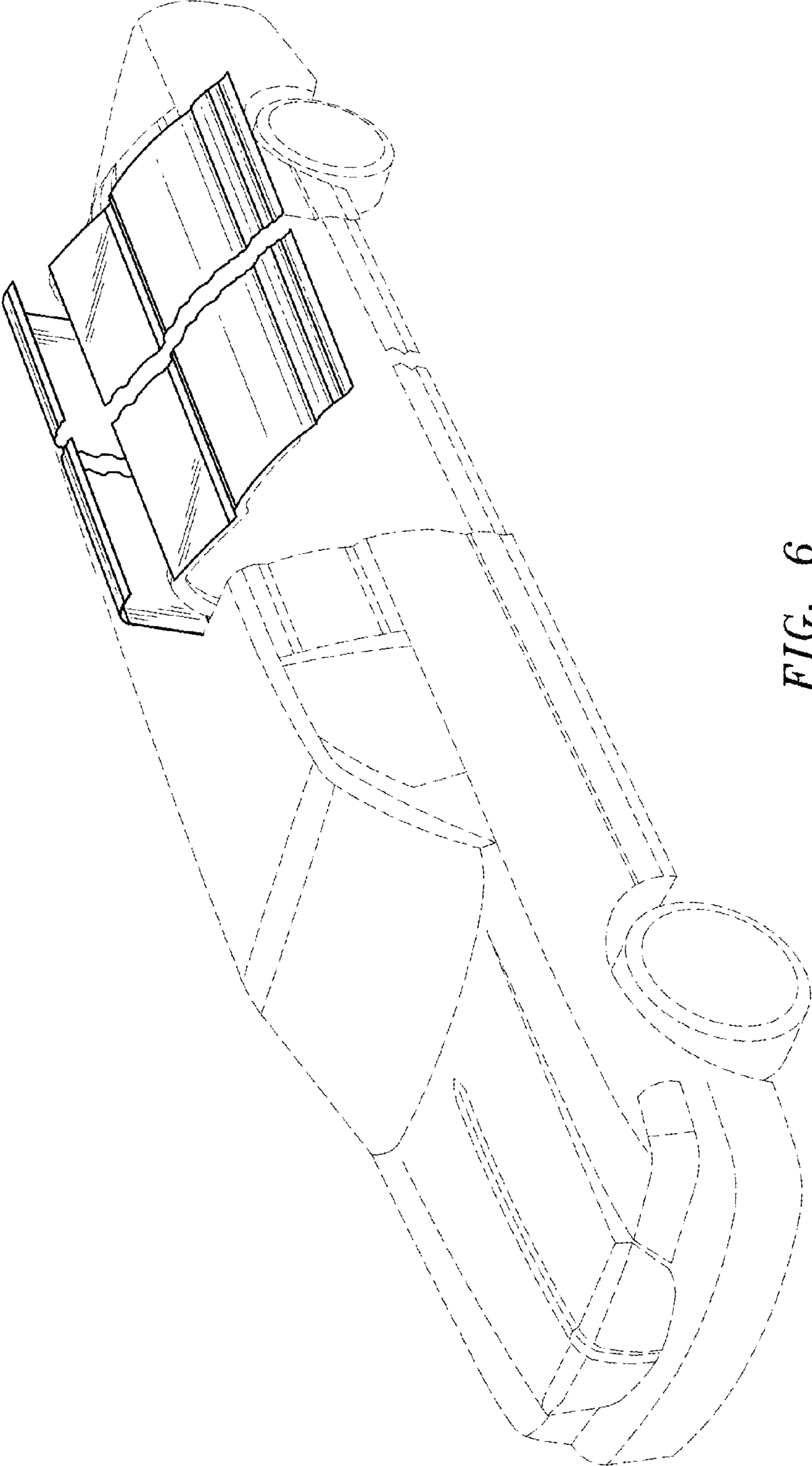


FIG. 6

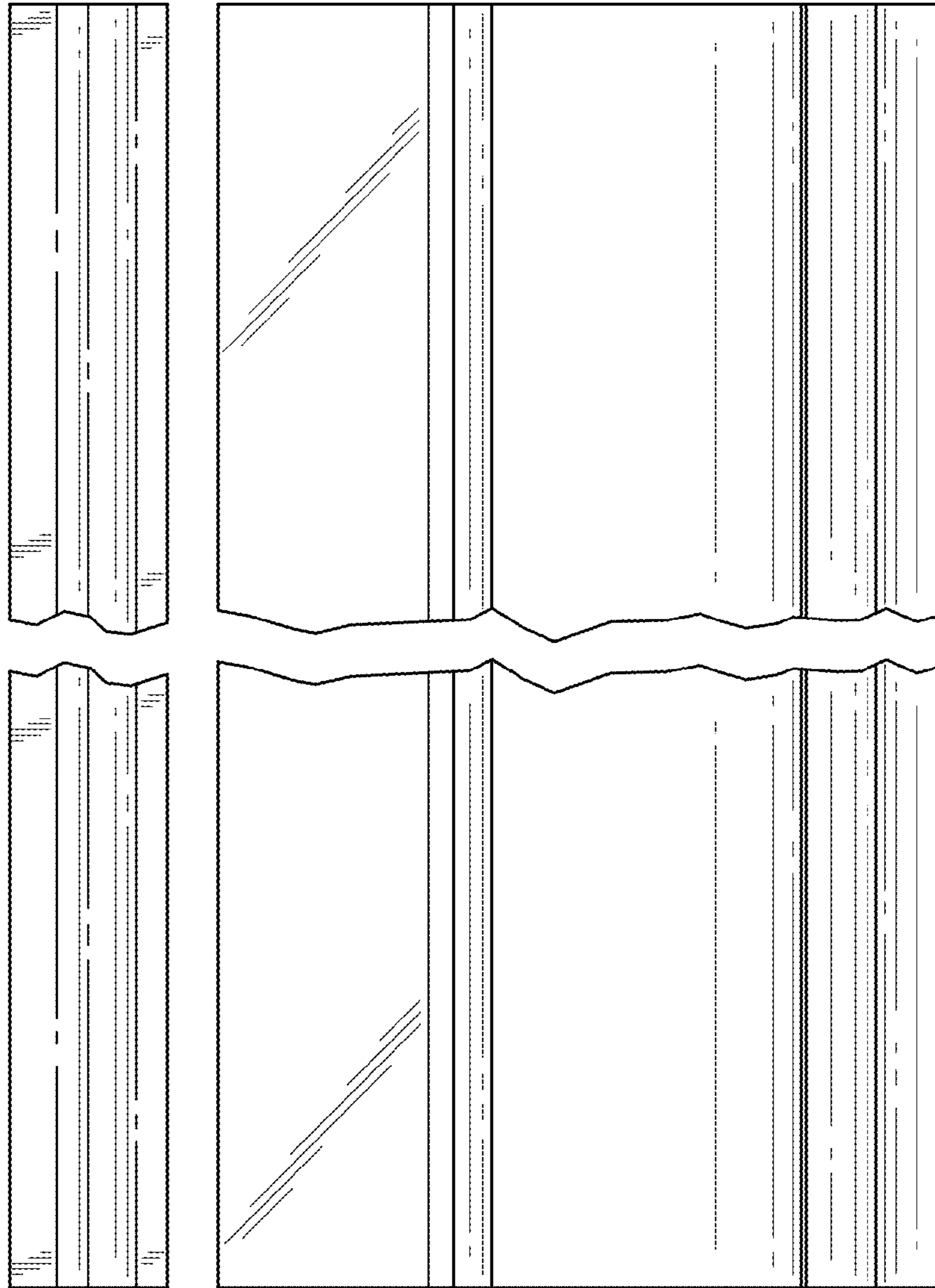


FIG. 7

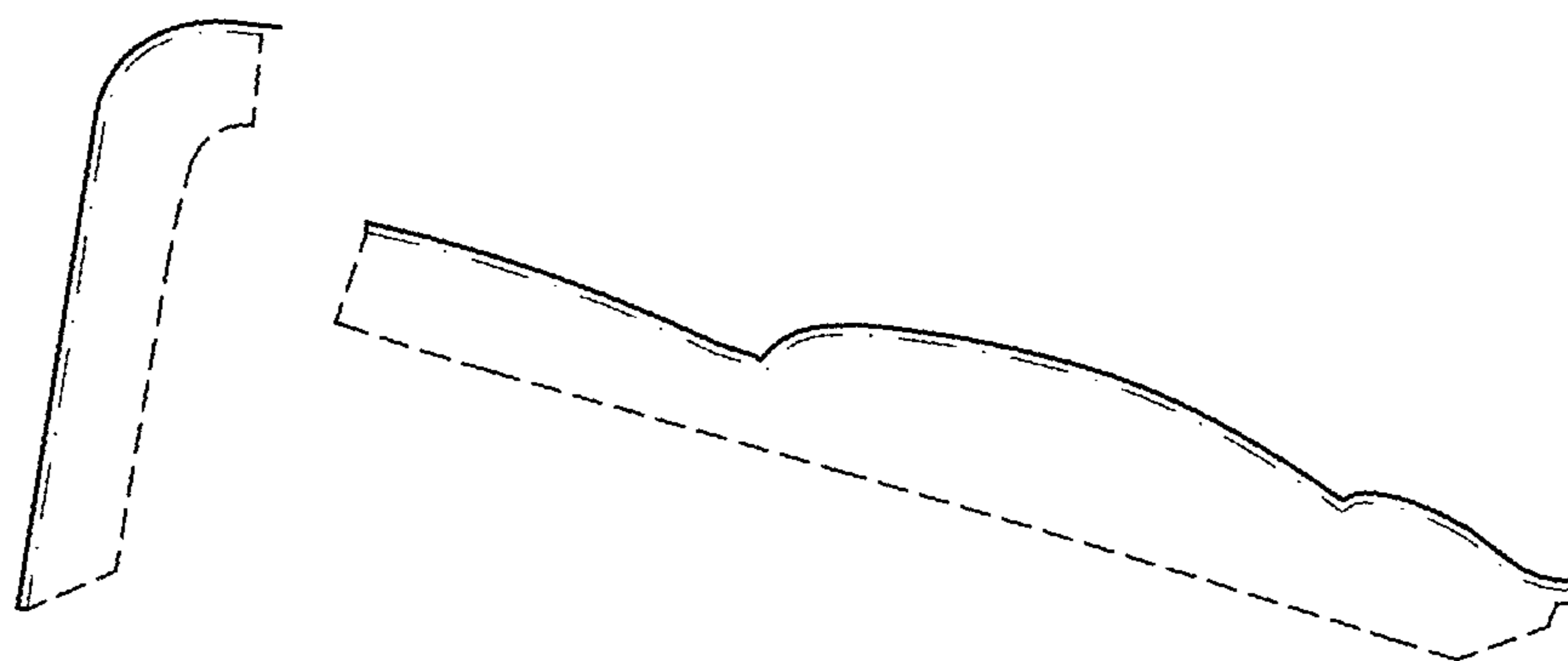


FIG. 8

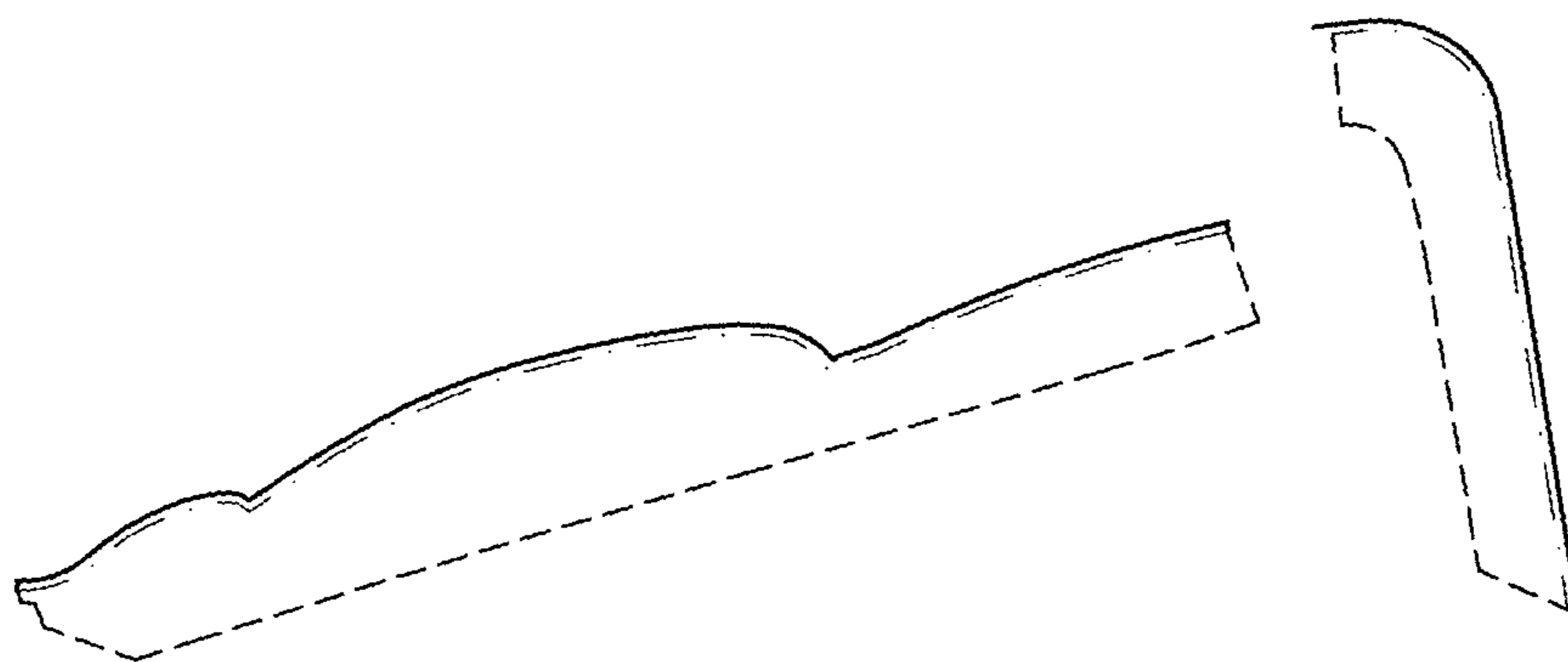


FIG. 9

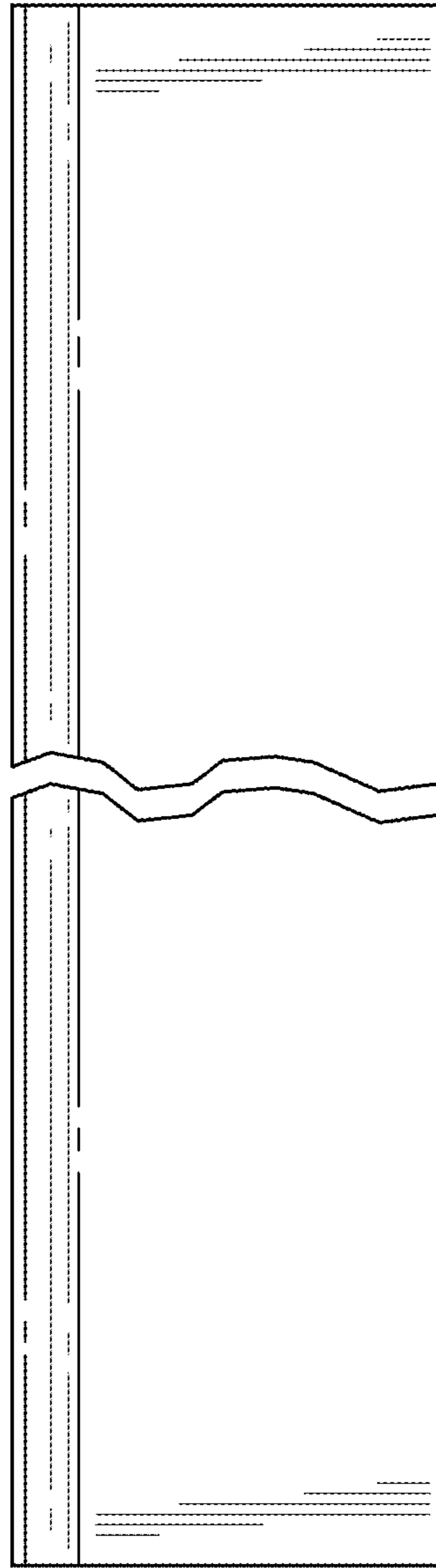


FIG. 10