



US00D726614S

(12) **United States Design Patent**  
**Sprague**

(10) **Patent No.:** **US D726,614 S**

(45) **Date of Patent:** **\*\* Apr. 14, 2015**

(54) **PASSENGER SIDE KICKPANEL**

(71) Applicant: **Carl E. Sprague**, Fullerton, CA (US)

(72) Inventor: **Carl E. Sprague**, Fullerton, CA (US)

(73) Assignee: **Custom Autosound Manufacturing, Inc.**, Fullerton, CA (US)

(\*\*) Term: **14 Years**

(21) Appl. No.: **29/440,653**

(22) Filed: **Dec. 24, 2012**

(51) **LOC (10) Cl.** ..... **12-08**

(52) **U.S. Cl.**  
USPC ..... **D12/195**

(58) **Field of Classification Search**  
USPC ..... D12/195, 193, 414, 190, 196; 180/190;  
296/190.01-191, 153, 37.1-37.13,  
296/149, 146.1; D15/17, 28; D10/46, 98,  
D10/102-103; 49/501-502; D8/302-303;  
280/750-752

See application file for complete search history.

(56) **References Cited**

U.S. PATENT DOCUMENTS

D291,883 S *	9/1987	Snyder .....	D14/143
D414,152 S *	9/1999	Sprague .....	D12/195
D448,334 S *	9/2001	Williams .....	D12/195
D533,821 S *	12/2006	Tamagawa et al. ....	D12/195
D534,470 S *	1/2007	Tsuchiya et al. ....	D12/195
D534,849 S *	1/2007	Tamagawa et al. ....	D12/195
D612,785 S *	3/2010	Inagaki et al. ....	D12/195

\* cited by examiner

*Primary Examiner* — Katrina A Betton

(74) *Attorney, Agent, or Firm* — Thomas I. Rozsa

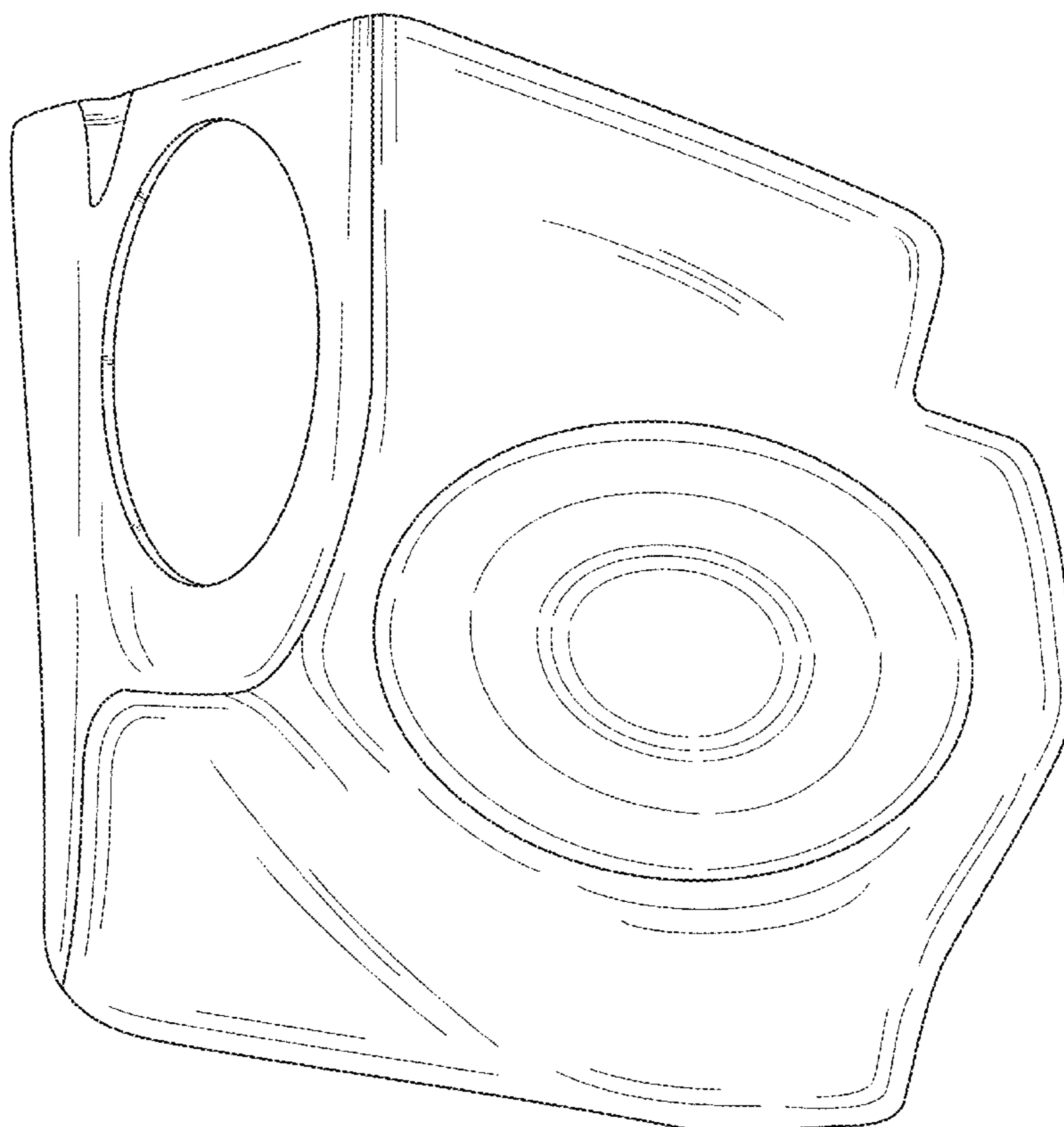
(57) **CLAIM**

The ornamental design for a passenger side kickpanel, as shown and described.

**DESCRIPTION**

FIG. 1 is a front side perspective view of a passenger side kickpanel showing my new design;  
FIG. 2 is a rear side perspective view thereof;  
FIG. 3 is front elevational view thereof;  
FIG. 4 is a rear elevational view thereof;  
FIG. 5 is a top elevational view thereof;  
FIG. 6 is a bottom elevational view thereof;  
FIG. 7 is a left side elevational view thereof; and,  
FIG. 8 is a right side elevational view thereof.

**1 Claim, 6 Drawing Sheets**



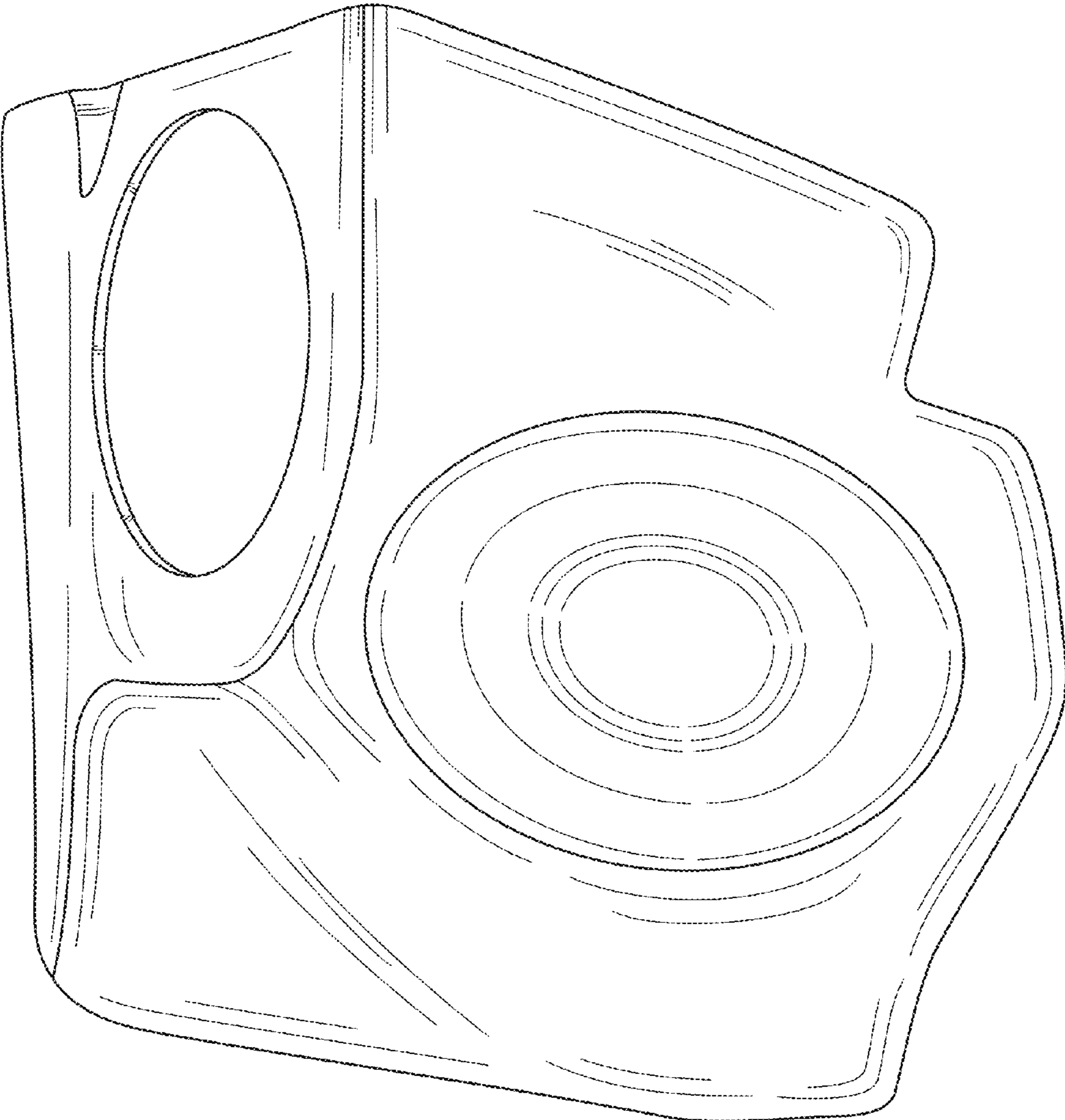


FIG. 1

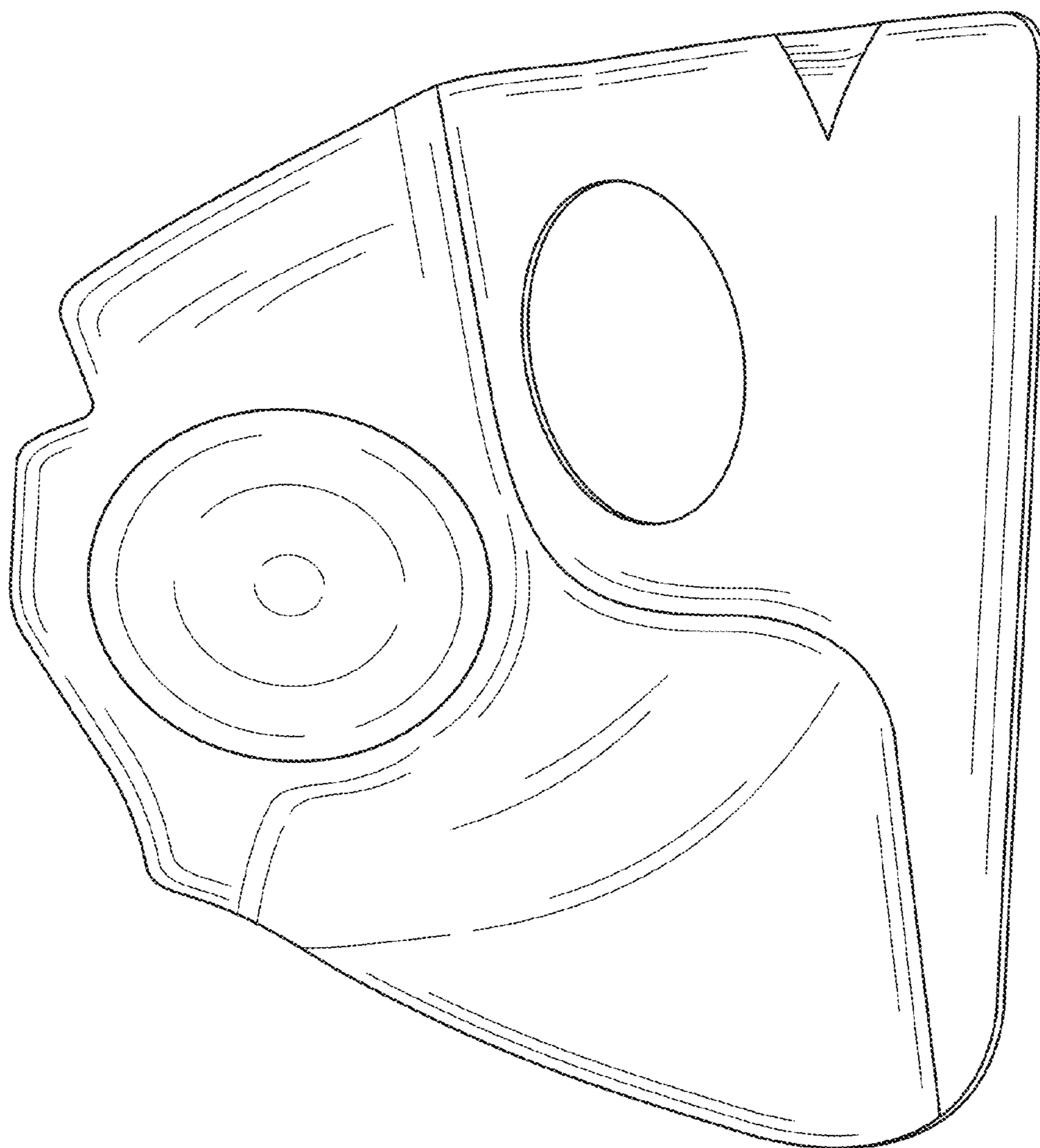


FIG. 2

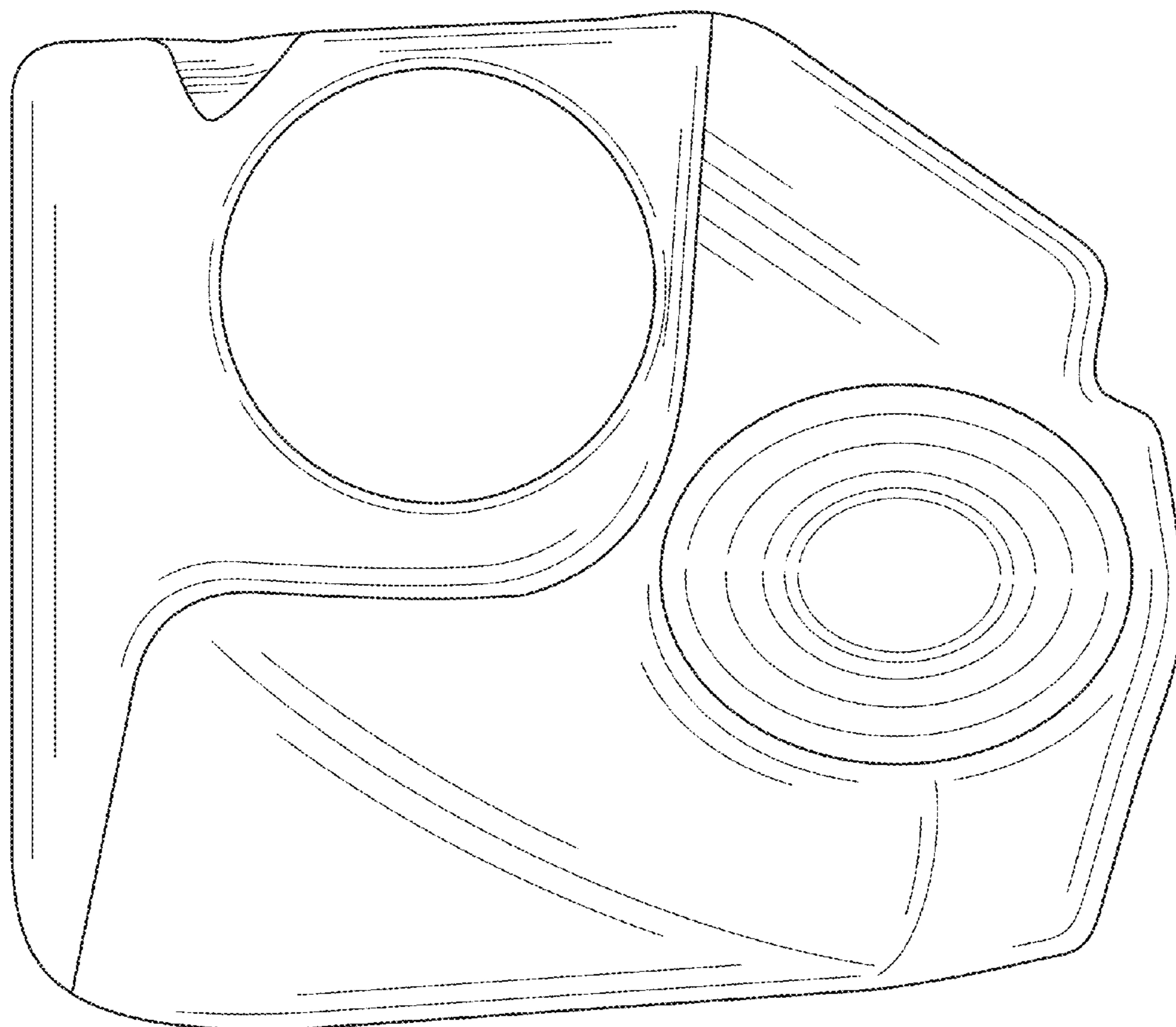


FIG. 3

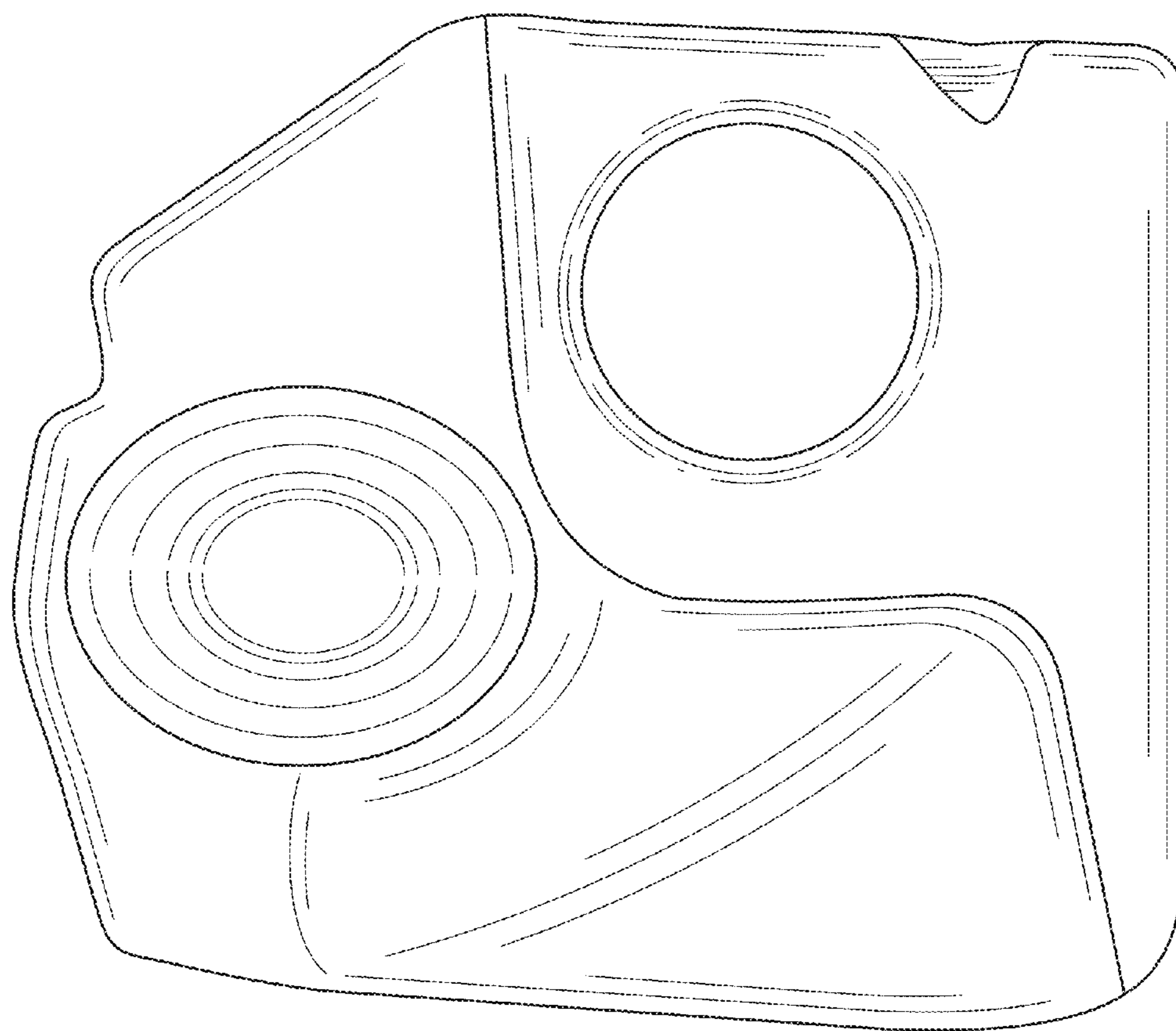


FIG. 4



FIG. 5

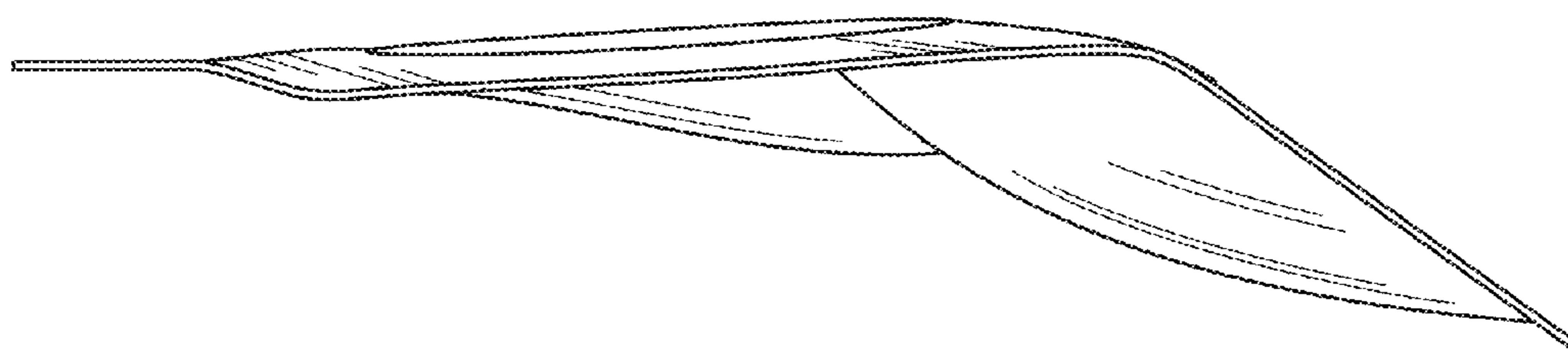


FIG. 6

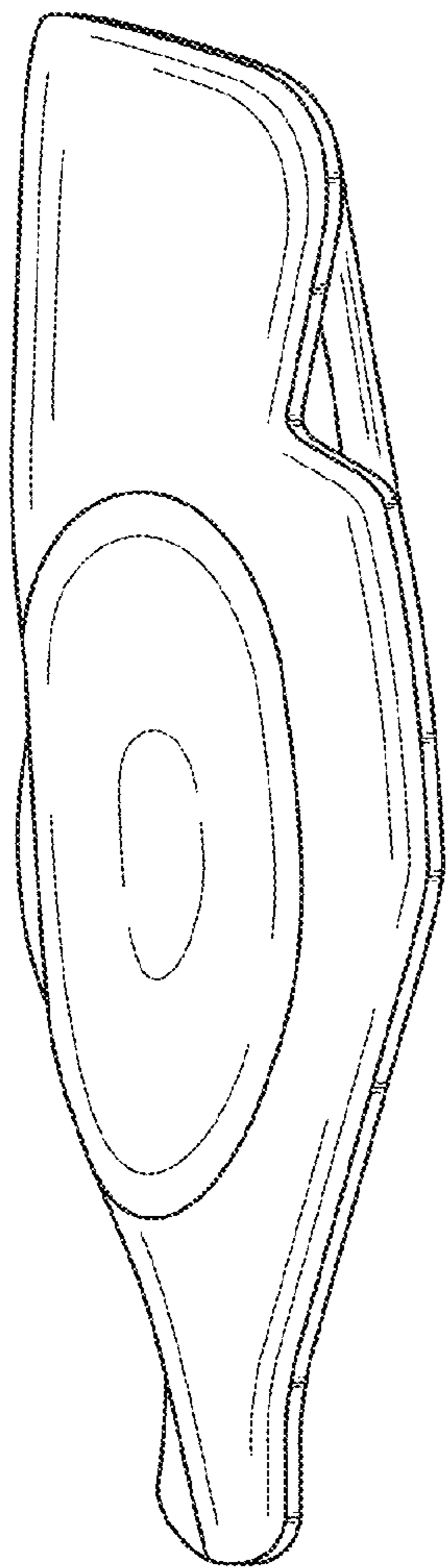


FIG. 7

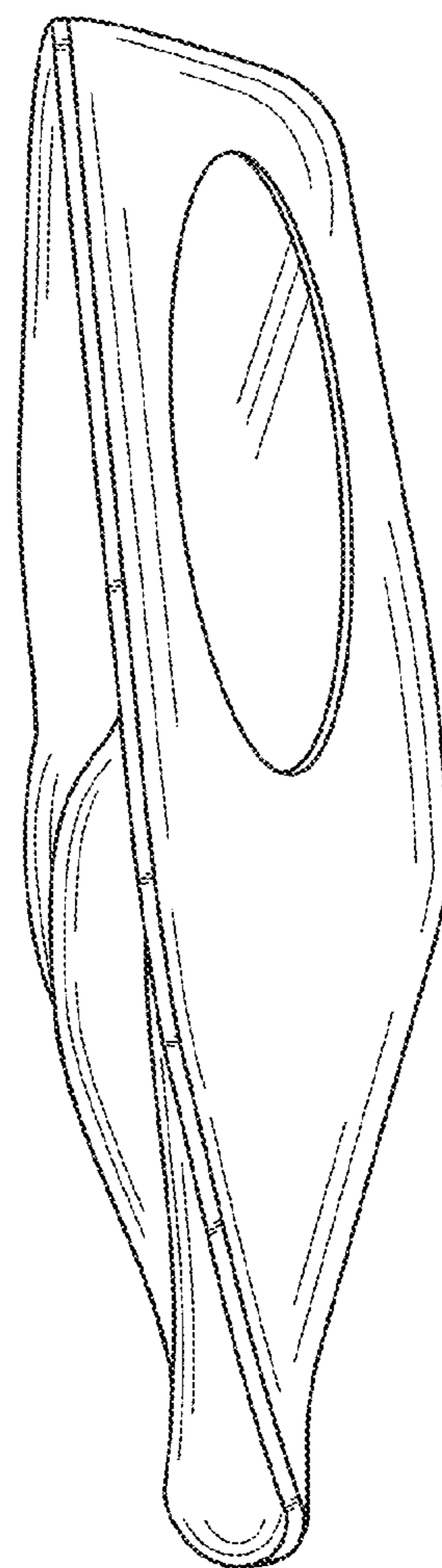


FIG. 8