



US00D726605S

(12) **United States Design Patent**
Schroeder

(10) **Patent No.:** **US D726,605 S**
(45) **Date of Patent:** **** Apr. 14, 2015**

- (54) **FRONT BUMPER FOR AN ALL-TERRAIN VEHICLE**
- (71) Applicant: **Anthony Schroeder**, Huntington Beach, CA (US)
- (72) Inventor: **Anthony Schroeder**, Huntington Beach, CA (US)
- (73) Assignee: **Honda Motor Co., Ltd.**, Tokyo (JP)
- (**) Term: **14 Years**
- (21) Appl. No.: **29/490,716**
- (22) Filed: **May 13, 2014**
- (51) **LOC (10) Cl.** **12-16**
- (52) **U.S. Cl.**
USPC **D12/171**
- (58) **Field of Classification Search**
CPC B60R 19/52; B60R 2019/522
USPC D12/90–92, 98, 163, 169, 171;
180/86.1, 86.2; 296/95.1, 97.7, 183.1,
296/187.03, 187.09, 187.1, 193.1; 293/102,
293/112, 115, 117, 120, 142–149; 280/163,
280/164
See application file for complete search history.

- D513,718 S * 1/2006 Itaya et al. D12/107
- D527,696 S * 9/2006 Ichikawa et al. D12/171
- D532,348 S * 11/2006 Kudo et al. D12/171
- D557,642 S 12/2007 Miwa et al.
- D577,640 S 9/2008 Wyszogrod et al.
- D580,322 S * 11/2008 Schroeder et al. D12/171
- D592,574 S 5/2009 Larson
- D599,250 S * 9/2009 Hirano D12/107
- D606,913 S * 12/2009 Robertson D12/171
- D609,615 S 2/2010 Krugger et al.
- D617,700 S 6/2010 Nishio
- D637,533 S 5/2011 Miyazawa et al.
- D637,539 S 5/2011 Welch et al.

(Continued)

OTHER PUBLICATIONS

“Polaris—2013 Off-Road Vehicles.” Polaris Brochure., Jul. 30, 2012 [online], [retrieved on Sep. 1, 2014]. Retrieved from the Internet <URL: <http://cdn.polarisindustries.com/polaris/orv/2013/img/shopping-tools/2013-brochure.pdf>>.*

(Continued)

Primary Examiner — Philip S Hyder
Assistant Examiner — Darlington Ly
(74) *Attorney, Agent, or Firm* — Pearne & Gordon LLP

(57) **CLAIM**
The ornamental design for a front bumper for an all-terrain vehicle, as shown and described.

DESCRIPTION

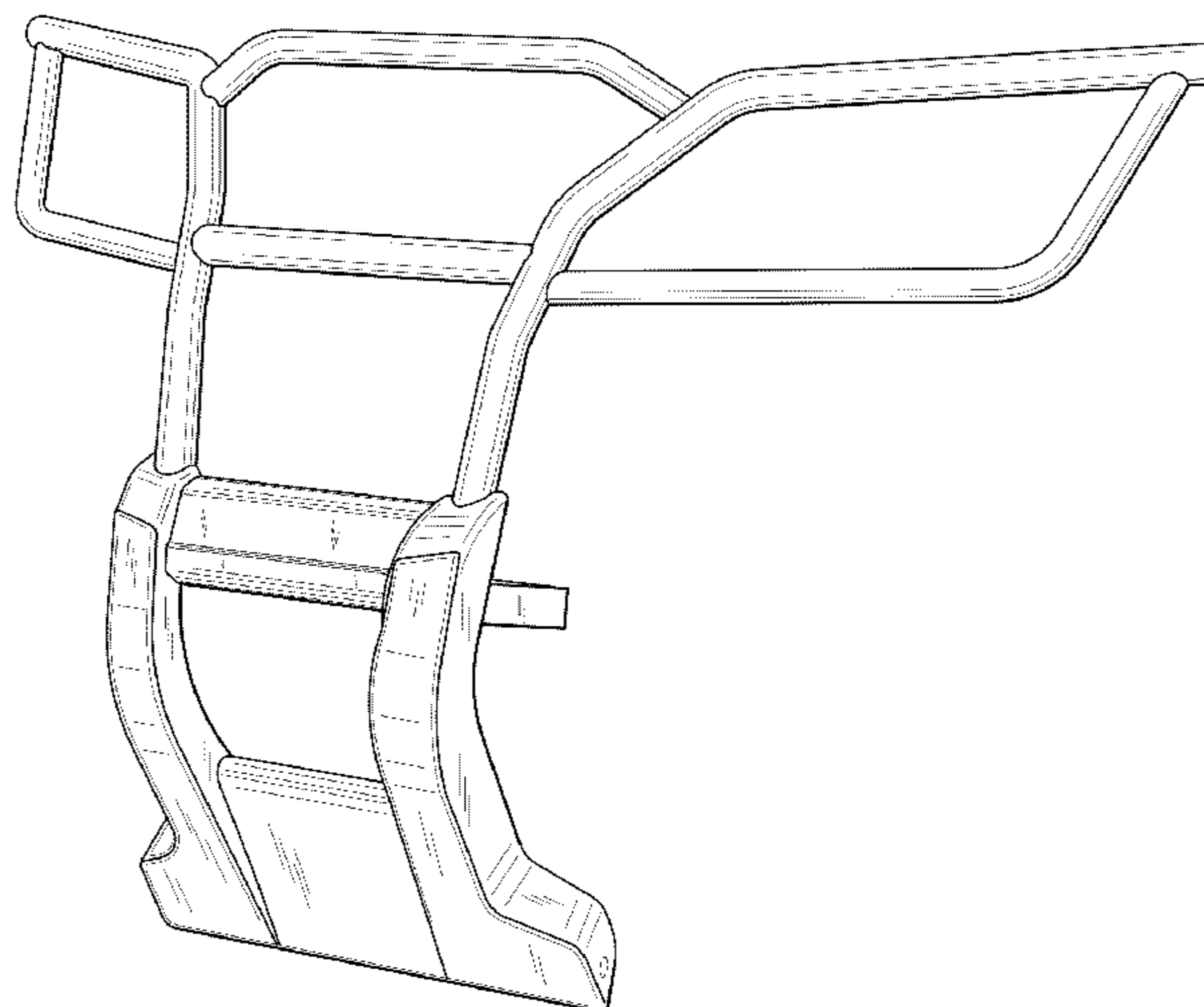
FIG. 1 is a perspective view of our new invention;
FIG. 2 is a top view thereof;
FIG. 3 is a front view thereof;
FIG. 4 is a right view thereof, a left view being a mirror image thereof;
FIG. 5 is a rear view thereof; and,
FIG. 6 is a bottom view thereof.
The broken lines shown in the drawings illustrate portions of the front bumper for an all-terrain vehicle that forms no part of claimed design.

1 Claim, 4 Drawing Sheets

(56) **References Cited**

U.S. PATENT DOCUMENTS

- 5,215,343 A * 6/1993 Fortune 293/121
- D388,042 S * 12/1997 Thorne et al. D12/171
- D405,408 S 2/1999 Yoshida et al.
- D410,879 S 6/1999 Orth, Sr.
- D419,936 S 2/2000 Sacco et al.
- D420,962 S * 2/2000 Chevalier D12/171
- D425,462 S 5/2000 Ujiie
- D437,270 S 2/2001 Yokomaku
- D472,854 S 4/2003 Weber et al.
- 6,612,595 B1 9/2003 Storer
- D485,219 S * 1/2004 Hamm et al. D12/169
- 6,685,244 B2 * 2/2004 McCoy et al. 293/102
- D512,666 S 12/2005 Chiang



(56)

References Cited

U.S. PATENT DOCUMENTS

D641,669 S 7/2011 Vardis
 D641,672 S 7/2011 Willoughby et al.
 D641,674 S 7/2011 Kim et al.
 D642,099 S * 7/2011 Nagao et al. D12/171
 D643,350 S 8/2011 Furst
 D643,781 S 8/2011 Nagao et al.
 D669,403 S 10/2012 Gifford
 D669,504 S * 10/2012 Higashikawa D15/28
 D679,227 S 4/2013 Schmeckpeper
 D682,754 S 5/2013 Robinson
 D691,074 S 10/2013 Dugardin
 D692,812 S 11/2013 Harriton
 D693,753 S 11/2013 Cheung et al.
 D694,159 S 11/2013 Jung
 8,678,482 B2 3/2014 O'Brien et al.
 D704,610 S 5/2014 Mizuhata et al.
 D707,595 S 6/2014 Kavaja

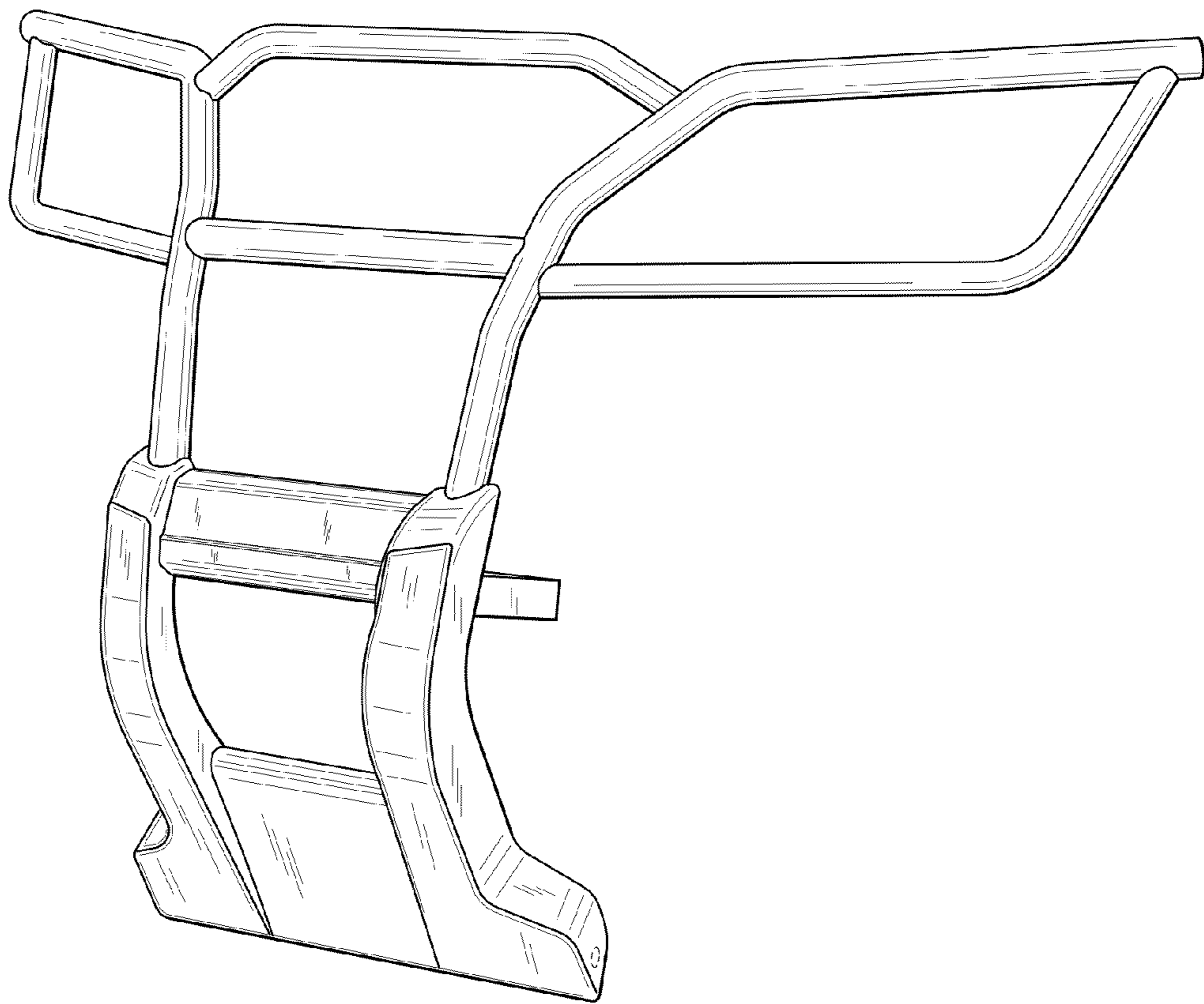
2006/0201727 A1 9/2006 Chan
 2013/0187395 A1 7/2013 Hanson et al.
 2014/0319306 A1 10/2014 Massicotte et al.

OTHER PUBLICATIONS

“Honda—ATV Range.” Honda Brochure., Aug. 12, 2014 [online], [retrieved on Sep. 1, 2014]. Retrieved from the Internet <URL: http://motorcycles.honda.com.au/brochures/Honda_ATV_Range.pdf>.*
 “Honda—ATV Range”—Honda Brochure—Aug. 12, 2014 [online]—Retrieved on Sep. 1, 2014—Retrieved from the INternet , URL: http://motorcycles.honda.com.au/brochures/Honda_ATV_Range.pdf>.
 “Polaris—2013 Off-Road Vehicles”—Polaris Brochure—Jul. 30, 2012 [online]—Retrieved on Sep. 1, 2014]—Retrieved from the Internet < URL: <http://cdn.polarisindustries.com/polaris/orv/2013/img/shopping-tools/2013-brochure.pdf>>.

* cited by examiner

FIG. 1



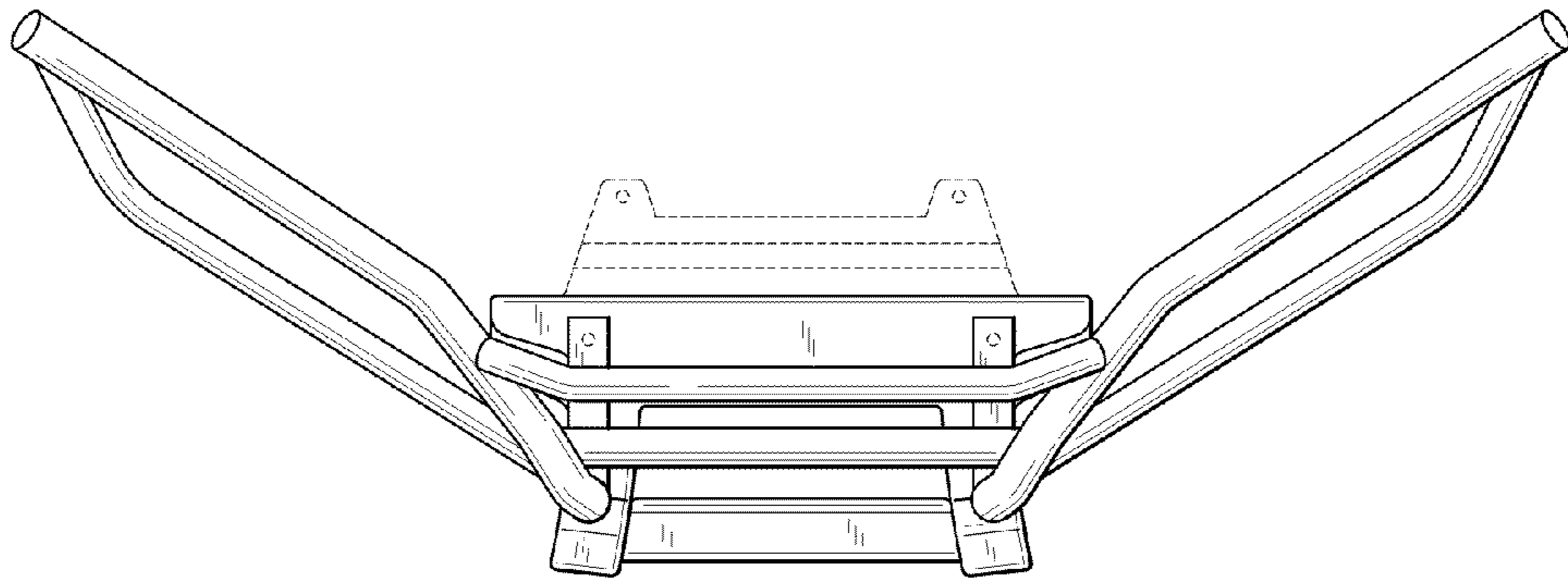


FIG. 3

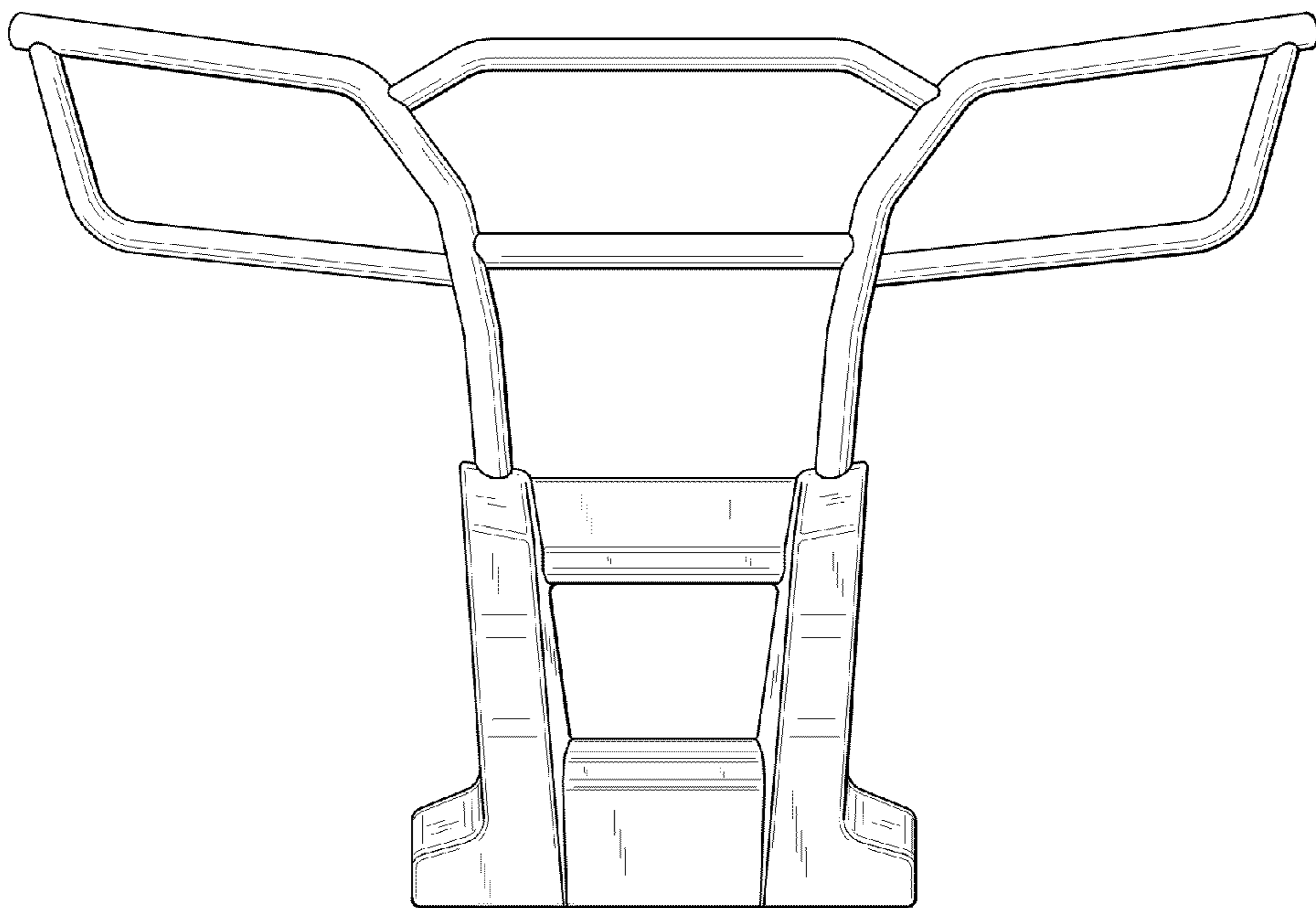


FIG. 2

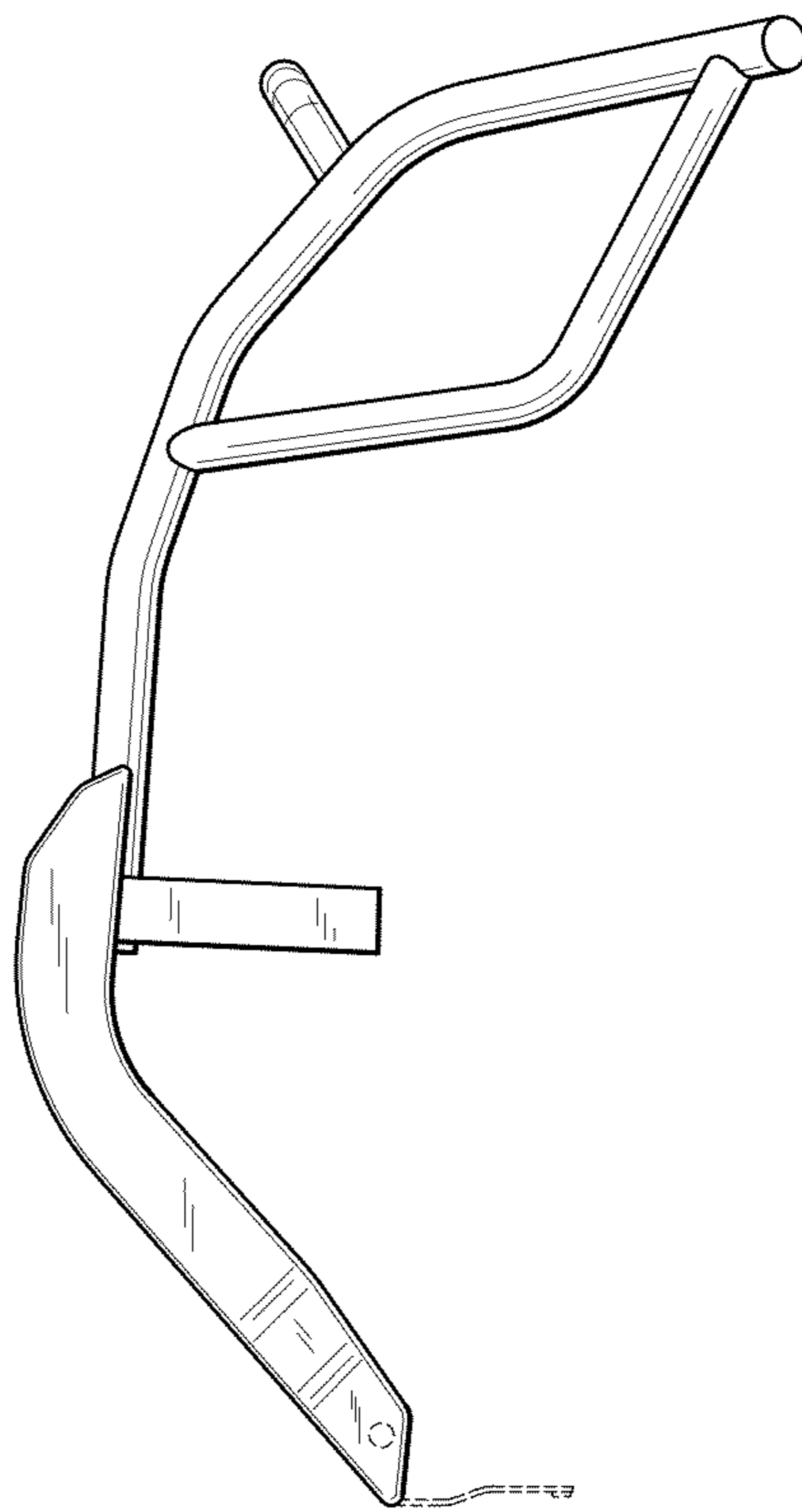


FIG. 4

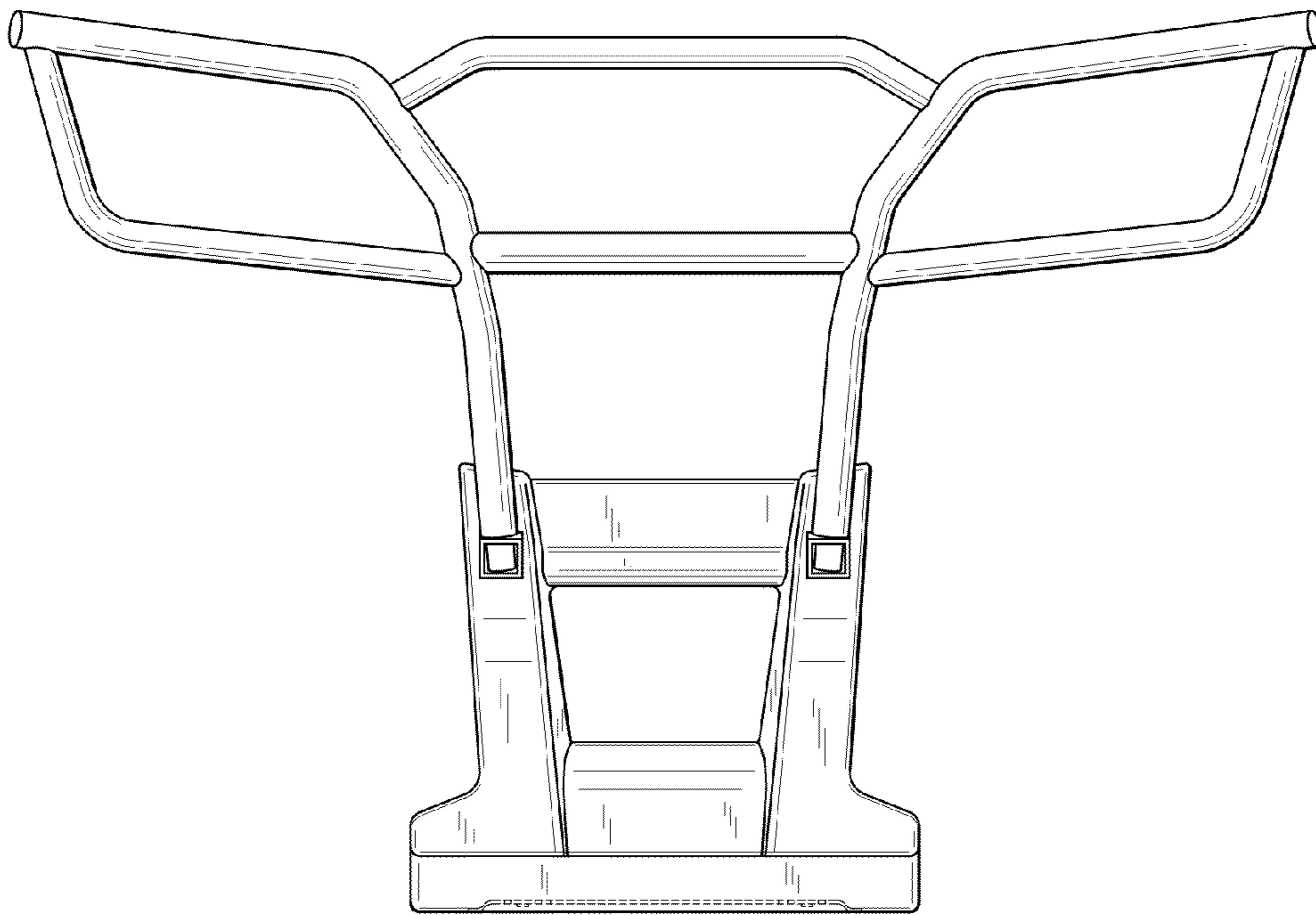


FIG. 5

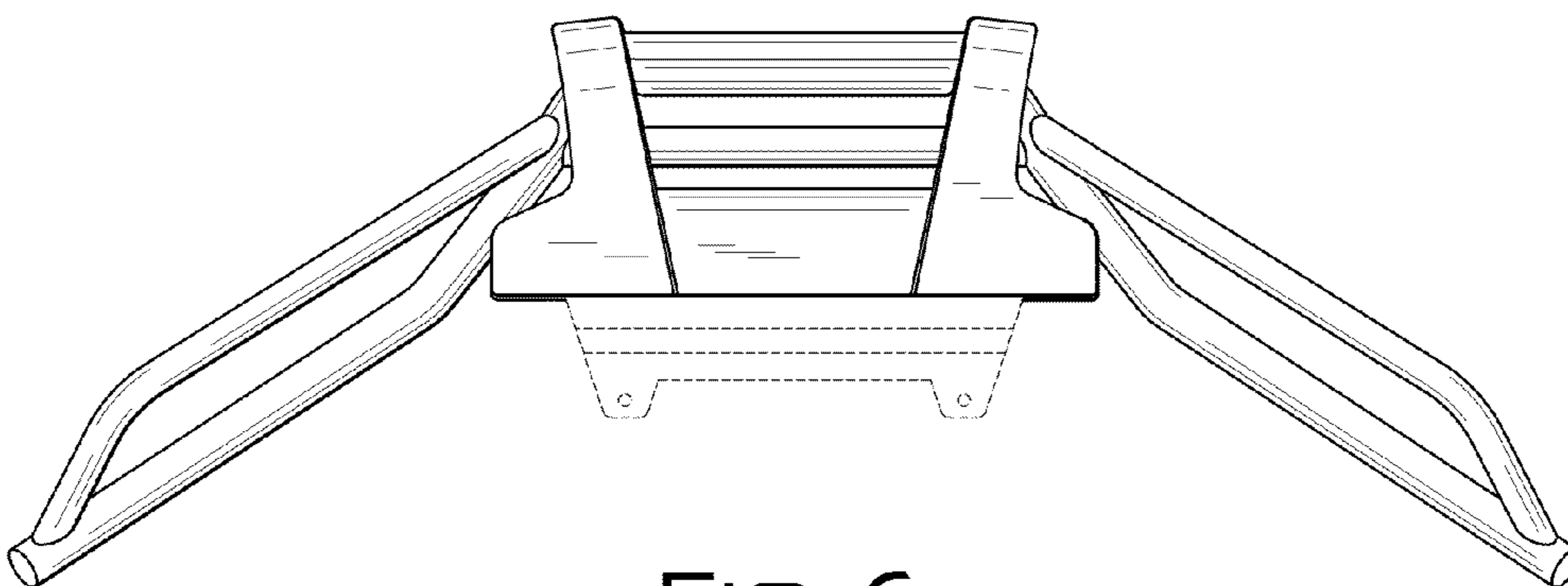


FIG. 6