



US00D726593S

(12) **United States Design Patent**
Eckert et al.

(10) **Patent No.:** **US D726,593 S**
(45) **Date of Patent:** **** Apr. 14, 2015**

- (54) **HAND DRIVEN RIDE-ON VEHICLE**
- (71) Applicant: **Radio Flyer Inc.**, Chicago, IL (US)
- (72) Inventors: **Cameron Eckert**, Chicago, IL (US);
Todd Herlitz, Glenview, IL (US); **David Owsen**, Harper Woods, MI (US)
- (73) Assignee: **Radio Flyer Inc.**, Chicago, IL (US)
- (**) Term: **14 Years**

4,506,901 A	3/1985	Tosti	
4,655,470 A *	4/1987	Lin	280/211
D296,774 S *	7/1988	Armstrong	D12/112
5,037,120 A	8/1991	Parisi	
5,639,105 A	6/1997	Summo	
6,276,703 B1	8/2001	Caldwell	
6,361,058 B1 *	3/2002	Yuan	280/242.1
D465,439 S *	11/2002	van de Vrie	D12/112
6,557,879 B2	5/2003	Caldwell	
D486,760 S *	2/2004	Devinast	D12/112
D498,709 S *	11/2004	Sramek	D12/112
6,910,701 B1	6/2005	Long et al.	

(Continued)

- (21) Appl. No.: **29/465,637**
- (22) Filed: **Aug. 29, 2013**
- (51) **LOC (10) Cl.** **12-11**
- (52) **U.S. Cl.**
USPC **D12/112**
- (58) **Field of Classification Search**
USPC D12/112, 107, 113; D34/24; D21/435,
D21/667; 280/282, 259, 288.4, 210, 62,
280/278, 279, 287, 288, 270, 263, 272, 292,
280/293, 87.01, 249, 87.041, 1.188, 304.5,
280/47.11, 30, 47.371, 7.17, 47.38, 7.15,
280/47.26, 47.18, 7.1, 87.1, 240, 211,
280/242.1, 291, 295, 325, 621, 622, 623,
280/624, 625, 626, 627, 628, 629, 200,
280/47.34; 301/110.5, 2.5, 6.5; 74/594.1,
74/551.8; 315/313; 362/184, 543;
297/215.14, 344.11, 184.1; 273/129 R,
273/118 R; 293/120, 127; 403/57, 22, 282,
403/268; 446/465, 94; 135/117, 125, 155,
135/88.04; 248/160
See application file for complete search history.

Primary Examiner — Robert M Spear
Assistant Examiner — Ryan Harvey
 (74) *Attorney, Agent, or Firm* — McDermott Will & Emery LLP

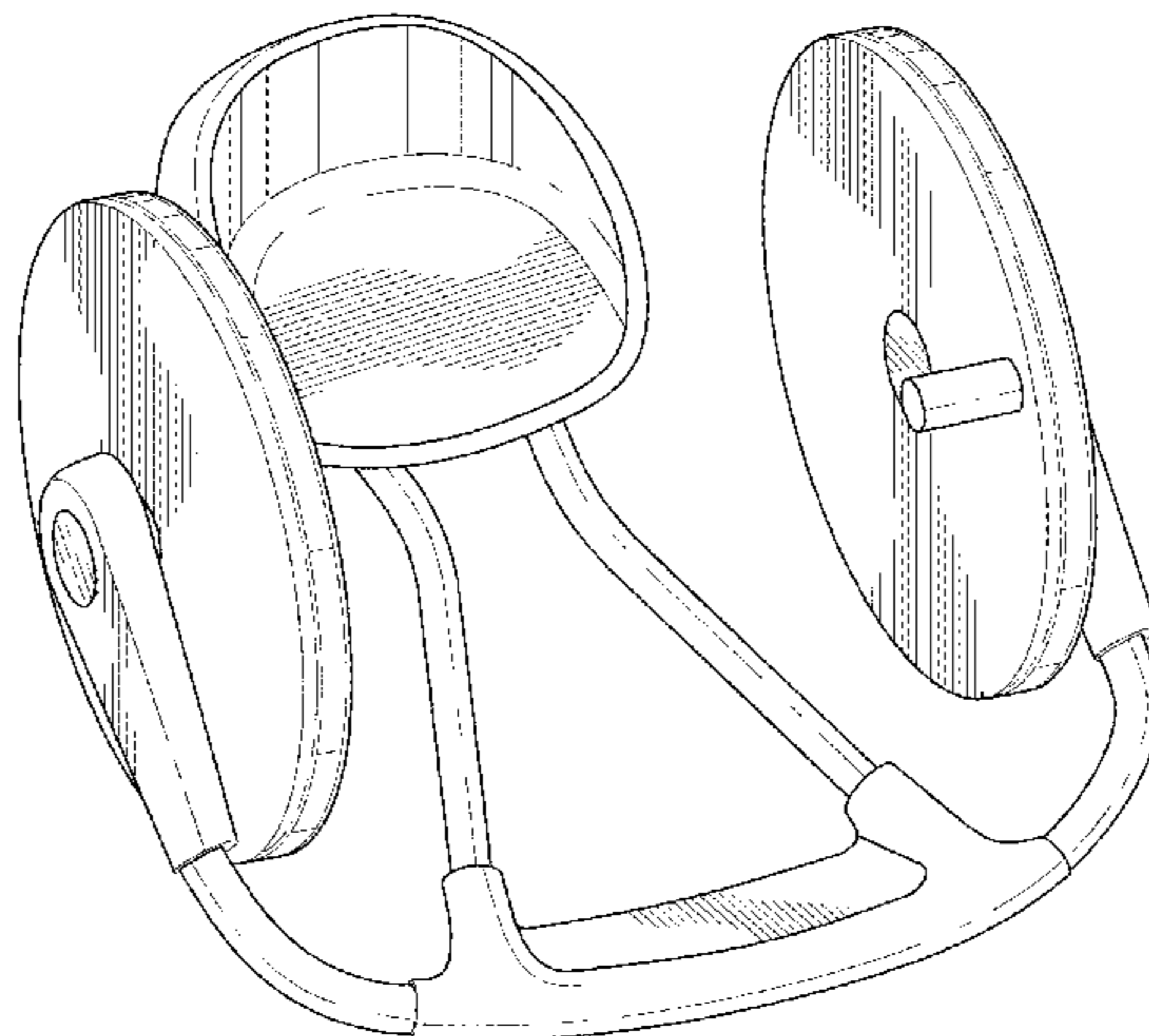
(57) **CLAIM**
 We claim the ornamental design for a hand driven ride-on vehicle, as shown and described.

DESCRIPTION

FIG. 1 is a top, front and right side perspective view of a hand driven ride-on vehicle according to the new design.
 FIG. 2 is a bottom, rear and left side perspective view of the hand driven ride-on vehicle shown in FIG. 1.
 FIG. 3 is a front elevation of the hand driven ride-on vehicle shown in FIG. 1.
 FIG. 4 is a left side elevation of the hand driven ride-on vehicle shown in FIG. 1.
 FIG. 5 is a right side elevation of the hand driven ride-on vehicle shown in FIG. 1.
 FIG. 6 is a rear elevation of the hand driven ride-on vehicle shown in FIG. 1.
 FIG. 7 is a top plan view of the hand driven ride-on vehicle shown in FIG. 1; and,
 FIG. 8 is a bottom plan view of the hand driven ride-on vehicle shown in FIG. 1.
 Features shown in broken lines in the drawings are not part of the claim.

- (56) **References Cited**
 U.S. PATENT DOCUMENTS
 3,450,416 A * 6/1969 Mulder 280/211
 3,820,790 A * 6/1974 Peterson 273/129 R
 4,066,273 A * 1/1978 Lohr 280/211
 4,077,647 A * 3/1978 Nagayama 280/211

1 Claim, 6 Drawing Sheets



US D726,593 S

Page 2

(56)

References Cited

U.S. PATENT DOCUMENTS

D608,250 S * 1/2010 Van De Vrie D12/112
D626,038 S * 10/2010 Li D12/112
D653,996 S * 2/2012 Webster D12/112

D678,130 S * 3/2013 Webster D12/112
8,496,261 B2 * 7/2013 Adams et al. 280/250.1
2014/0217694 A1 * 8/2014 Fitzwater et al. 280/210

* cited by examiner

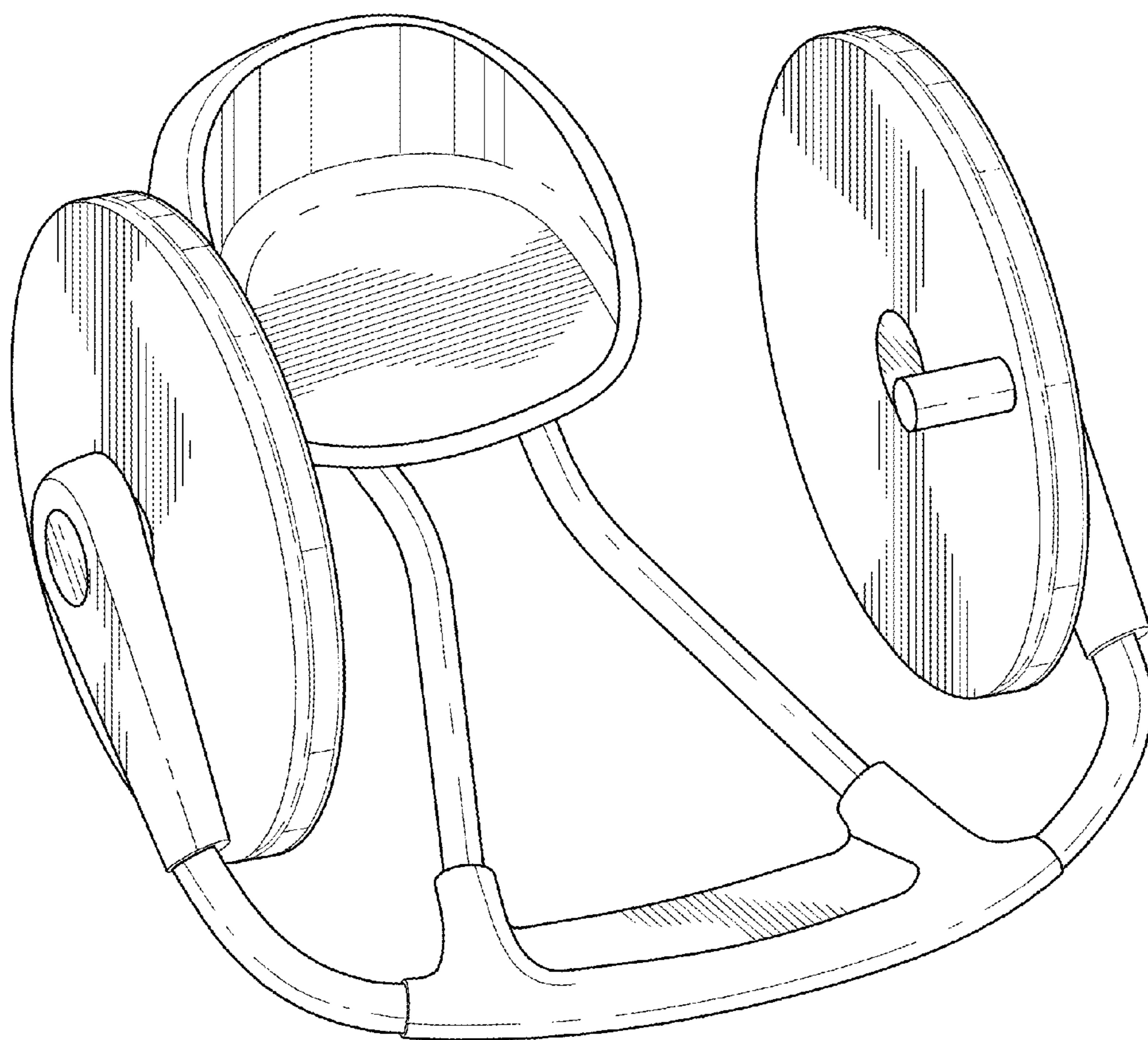


FIG. 1

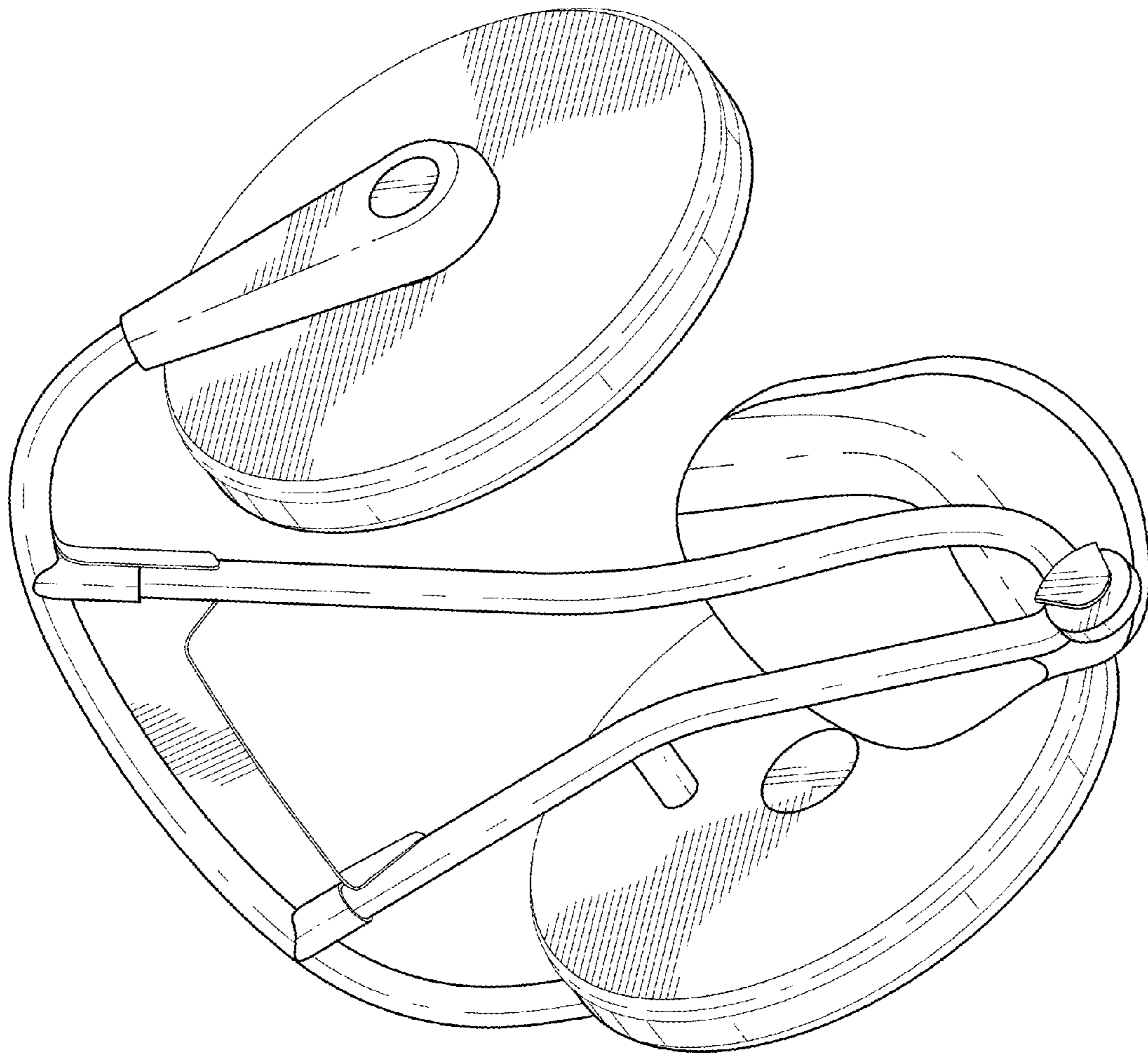


FIG. 2

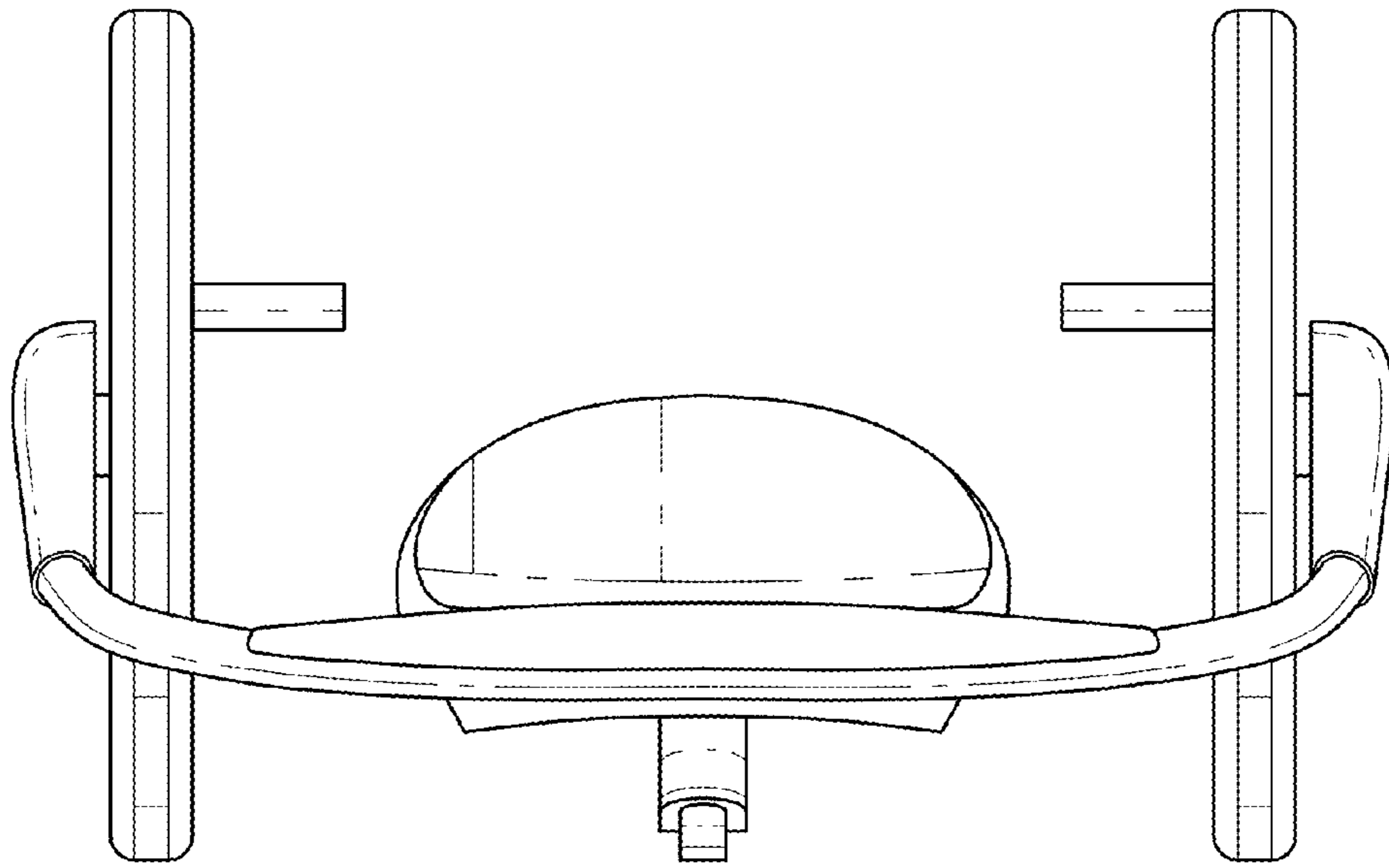


FIG. 3

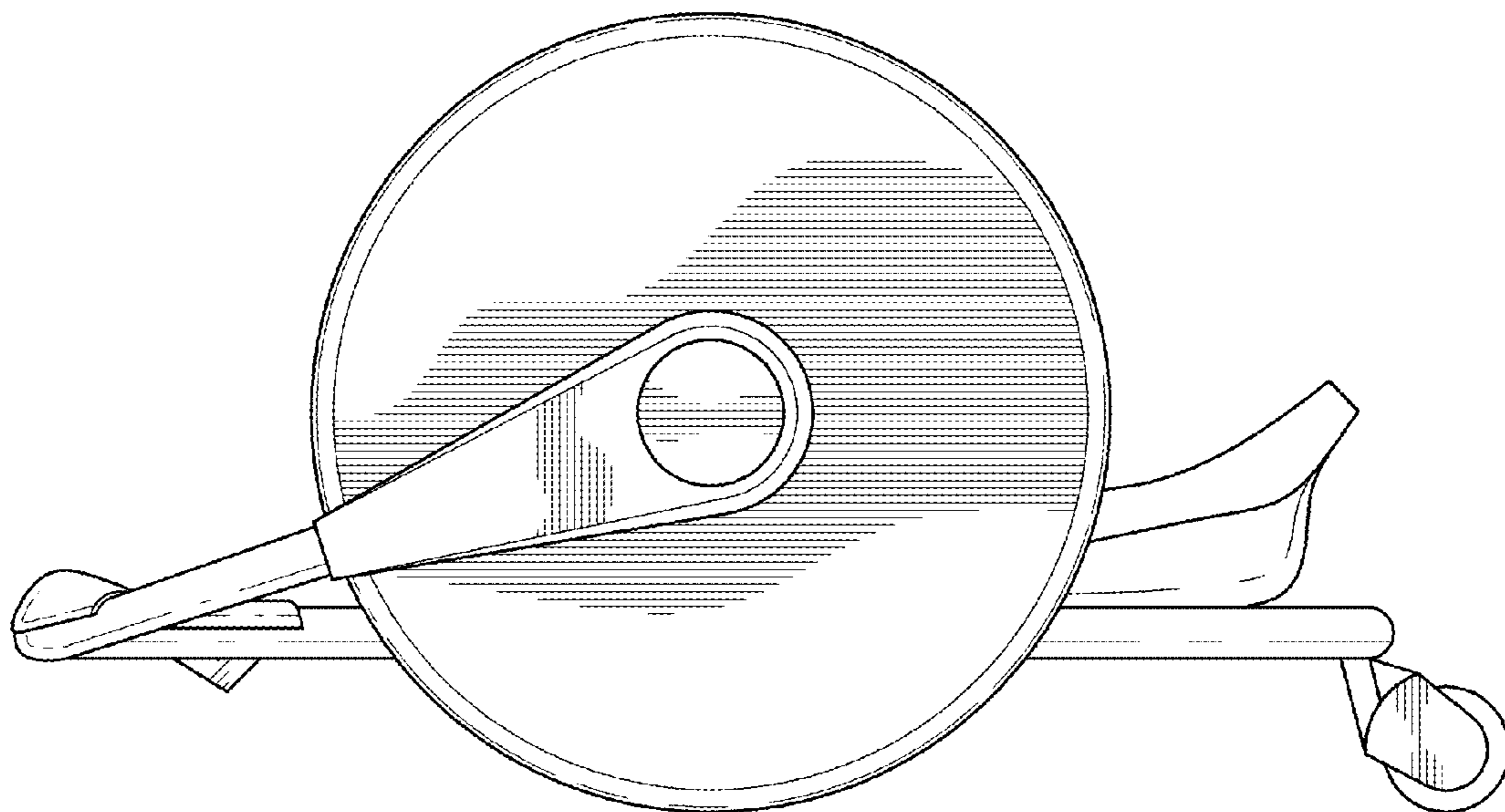


FIG. 4

FIG. 5

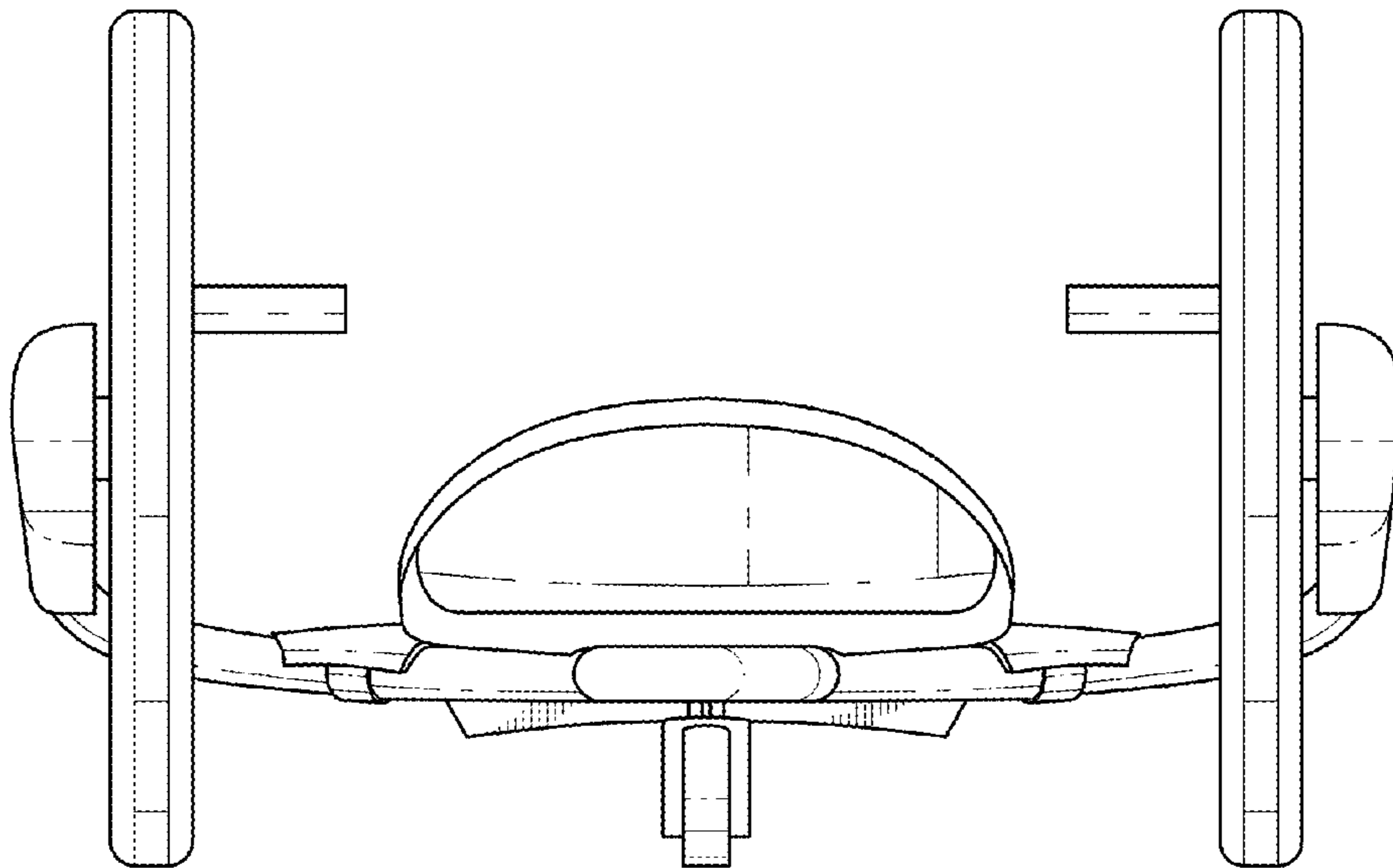
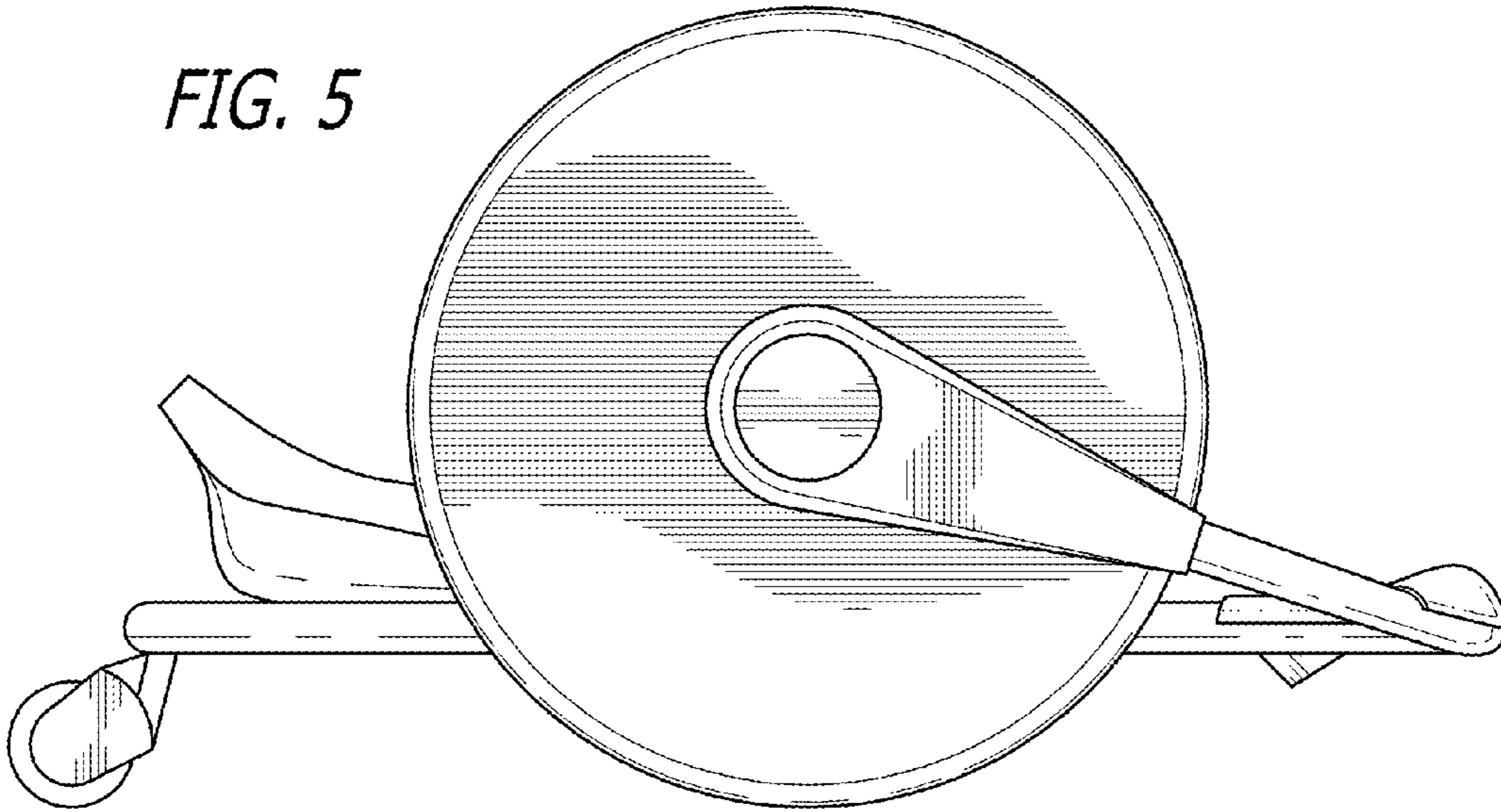


FIG. 6

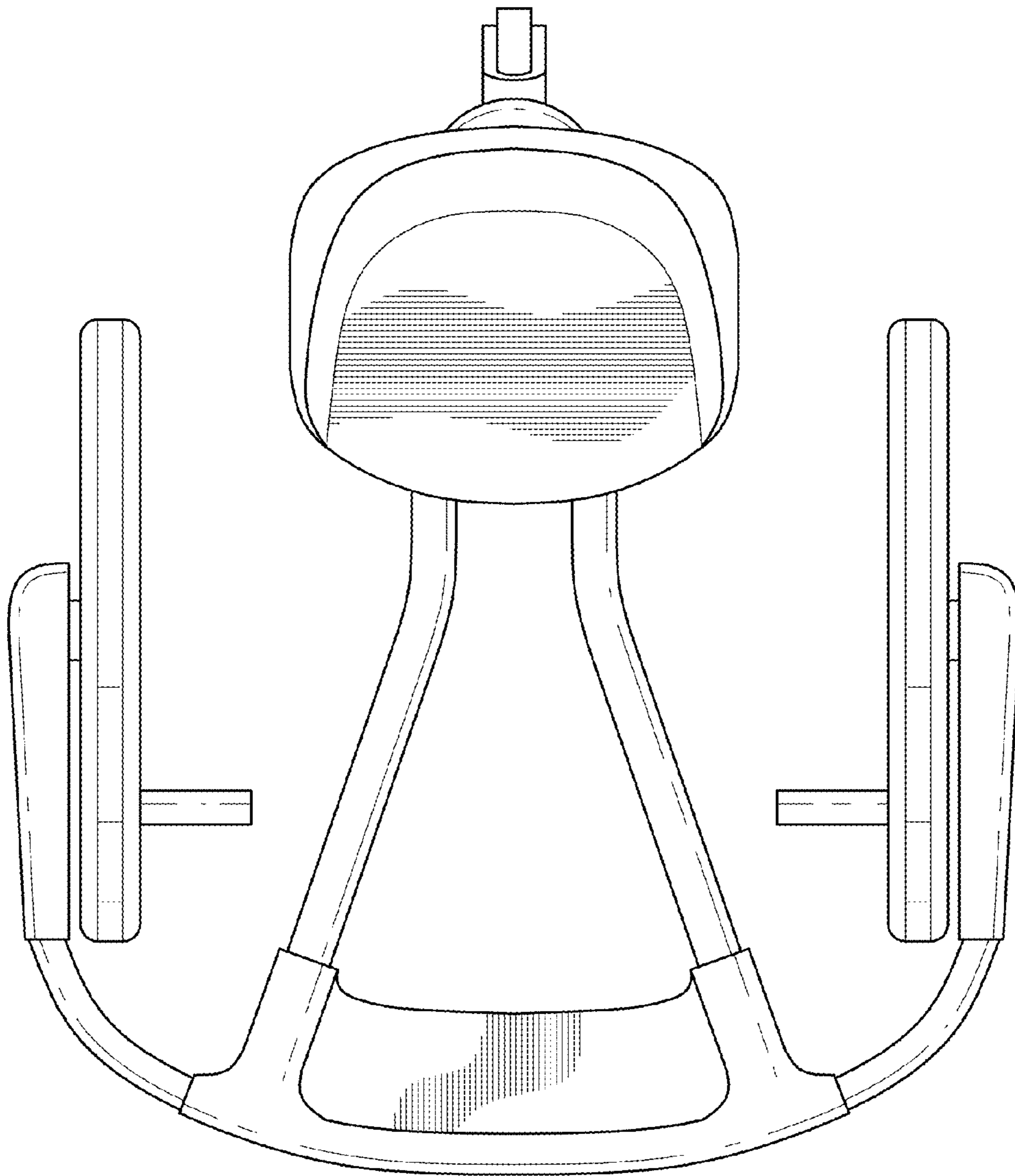


FIG. 7

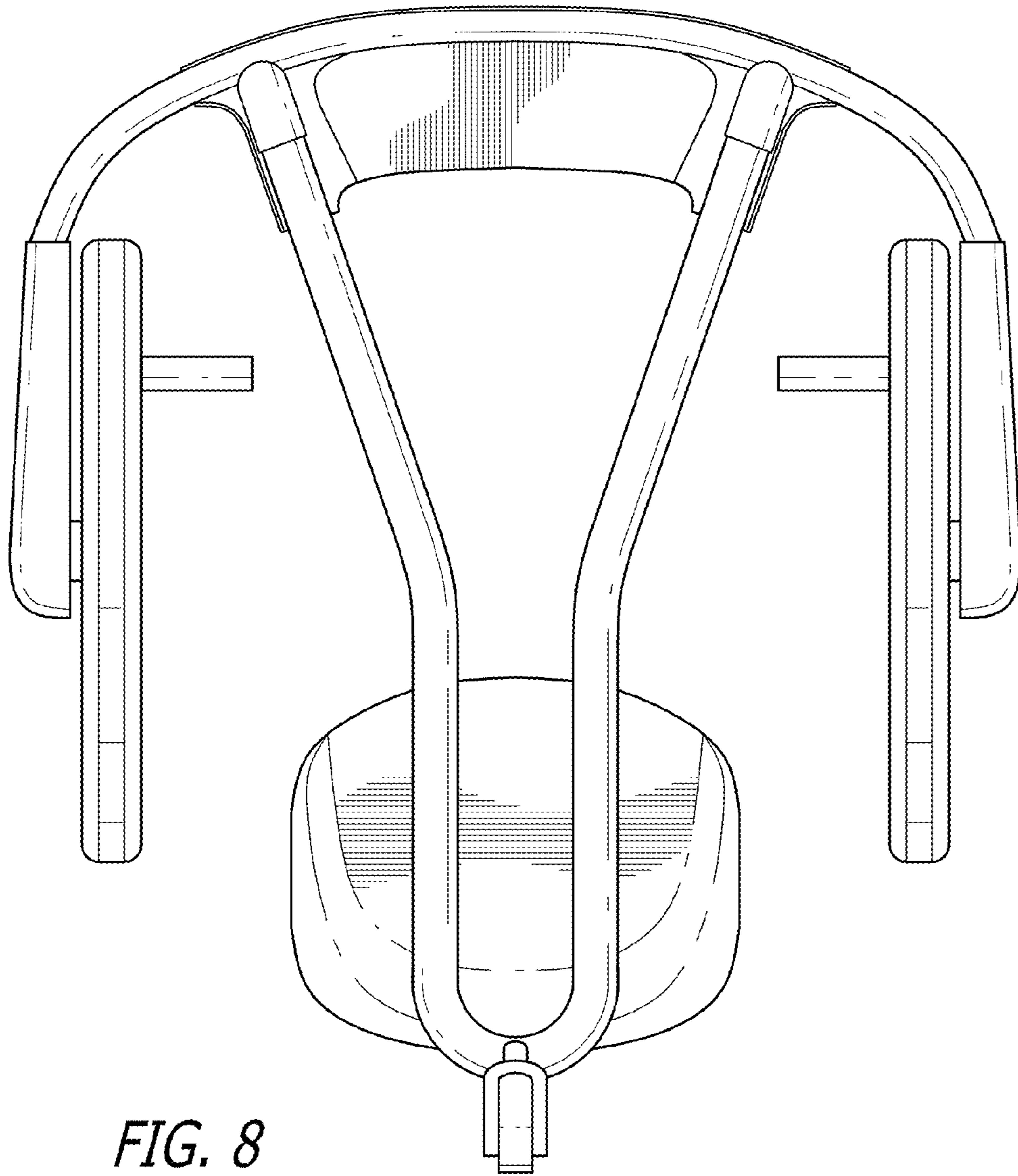


FIG. 8