



US00D726592S

(12) **United States Design Patent**  
**Zhang**

(10) **Patent No.:** **US D726,592 S**

(45) **Date of Patent:** **\*\* Apr. 14, 2015**

(54) **ELECTRIC VEHICLE**

(71) Applicant: **ShenZhen Acetech Technology Co., Ltd.**, Guangdong (CN)

(72) Inventor: **ChunHua Zhang**, Guangdong (CN)

(\*\*) Term: **14 Years**

(21) Appl. No.: **29/476,388**

(22) Filed: **Dec. 12, 2013**

(30) **Foreign Application Priority Data**

Aug. 21, 2013 (CN) ..... 2013 3 0399211

(51) **LOC (10) CL.** ..... **12-11**

(52) **U.S. Cl.**  
USPC ..... **D12/107**

(58) **Field of Classification Search**

USPC ..... D12/111, 108, 124, 109, 113, 112;  
D21/432, 419, 663, 435, 662; 280/283,  
280/276, 240, 281.1, 284, 256, 286, 265,  
280/268, 271, 288, 257, 279, 288.2, 274,  
280/282, 288.4, 210, 287, 278; 74/594.3,  
74/527; 16/44; 156/294; 180/68.5, 220;  
29/428; 224/419; 297/205, 207, 284.2,  
297/195.1, 215.16, 452.63, 202, 452.1

See application file for complete search history.

(56) **References Cited**

**U.S. PATENT DOCUMENTS**

1,508,621 A \* 9/1924 Sisk et al. .... 280/274  
D503,362 S \* 3/2005 Zhu et al. .... D12/111

6,986,522 B2 \* 1/2006 Sinclair et al. .... 280/287  
7,216,410 B2 \* 5/2007 Chuang ..... 29/428  
D650,724 S \* 12/2011 Chiang ..... D12/111  
D654,403 S \* 2/2012 Kyu ..... D12/111  
2005/0263979 A1 \* 12/2005 Sinclair et al. .... 280/278  
2009/0289434 A1 \* 11/2009 Lin ..... 280/278  
2010/0066054 A1 \* 3/2010 Chen ..... 280/278  
2014/0077474 A1 \* 3/2014 Priest et al. .... 280/278

\* cited by examiner

*Primary Examiner* — Robert M Spear

*Assistant Examiner* — Ryan Harvey

(74) *Attorney, Agent, or Firm* — Prakash Nama; Global IP Services, PLLC

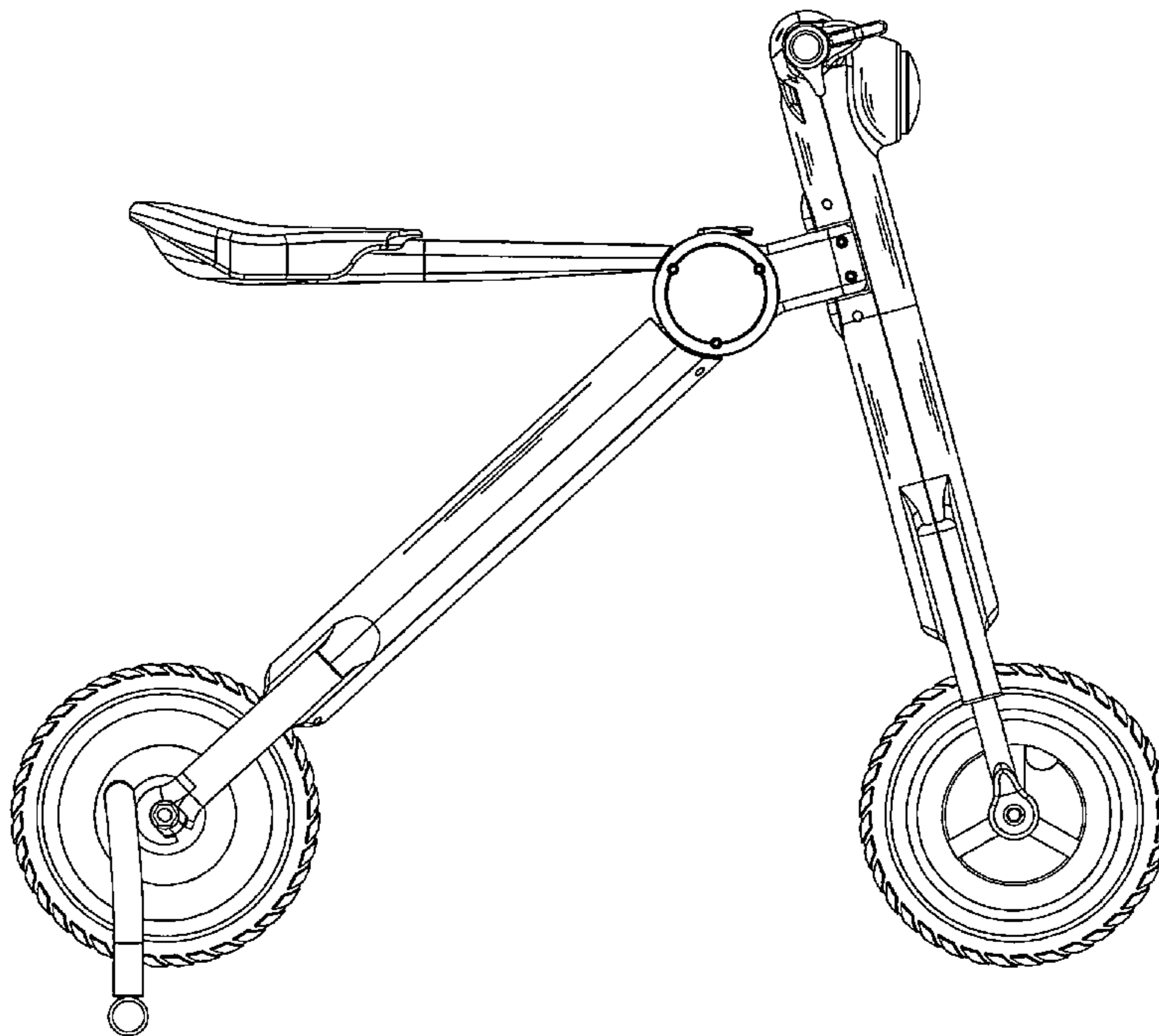
(57) **CLAIM**

The ornamental design for an electric vehicle, as shown.

**DESCRIPTION**

FIG. 1 is a front elevational view of an electric vehicle showing my new design;  
FIG. 2 is a rear elevational view thereof;  
FIG. 3 is a left side view thereof;  
FIG. 4 is a right side view thereof;  
FIG. 5 is a top plan view thereof;  
FIG. 6 is a bottom plan view thereof;  
FIG. 7 is a perspective view thereof;  
FIG. 8 is a perspective view in the state of use thereof;  
FIG. 9 is another perspective view in the state of use thereof;  
and,  
FIG. 10 is a perspective view in alternative state thereof.

**1 Claim, 9 Drawing Sheets**



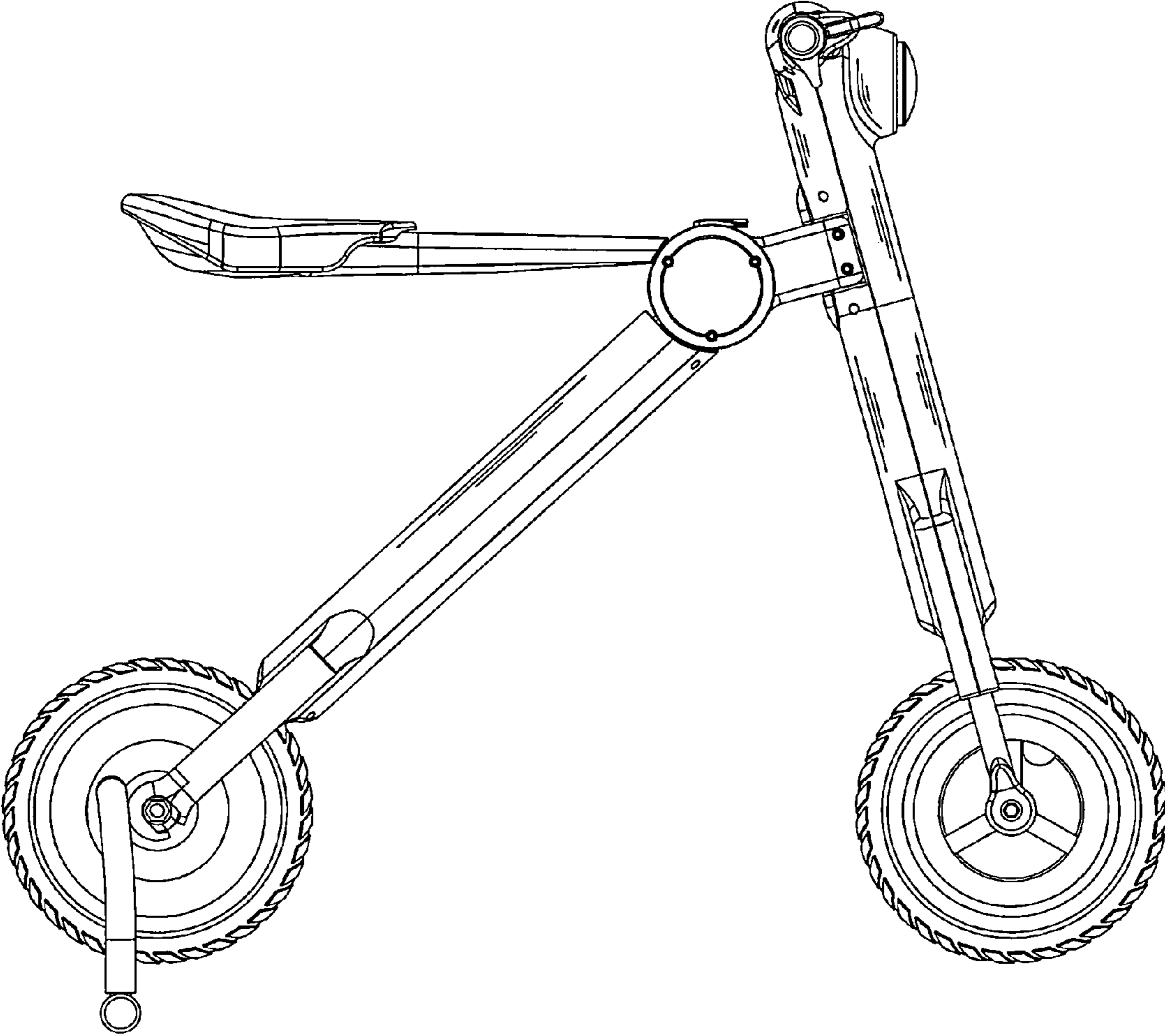


FIG. 1

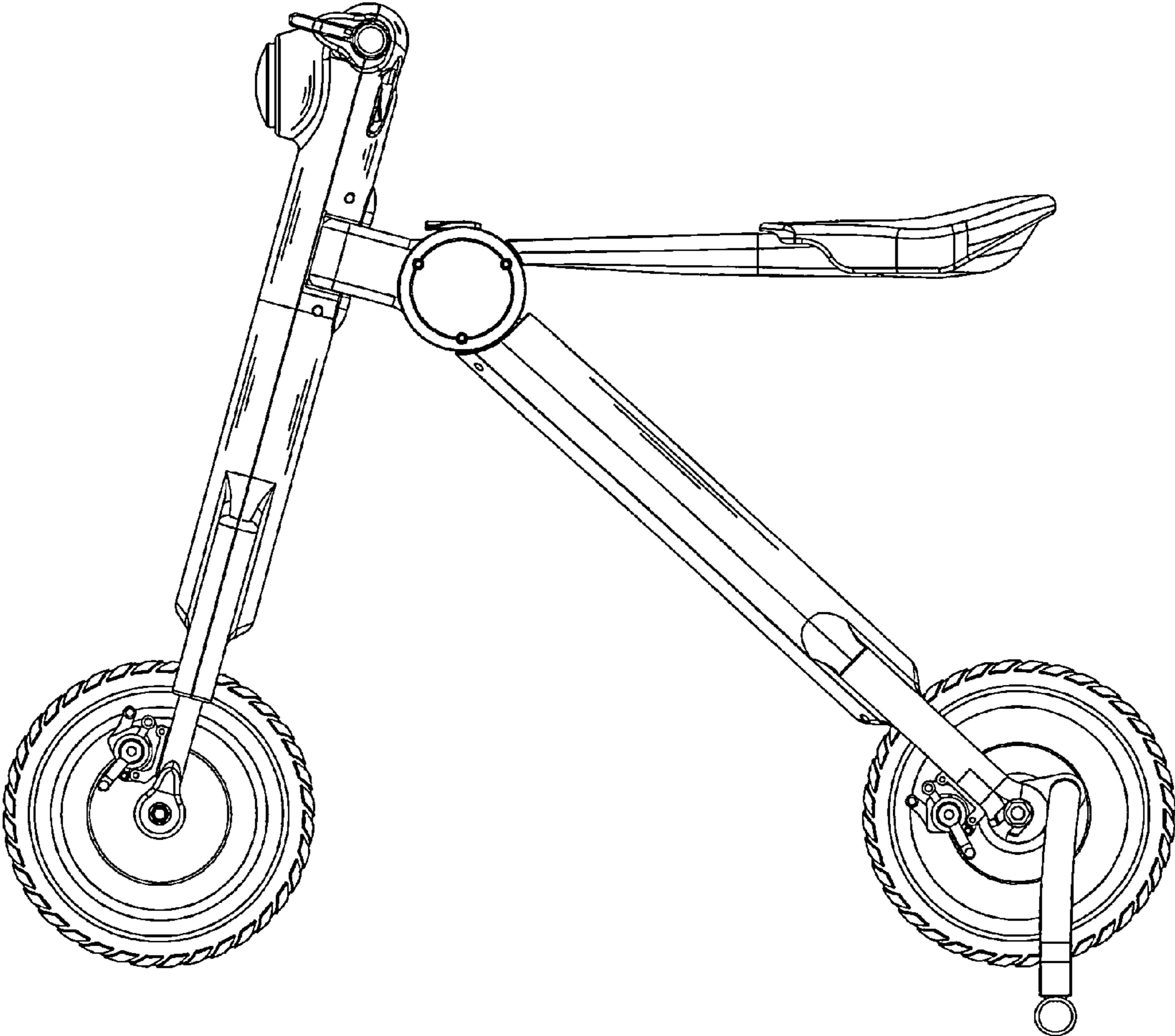


FIG. 2

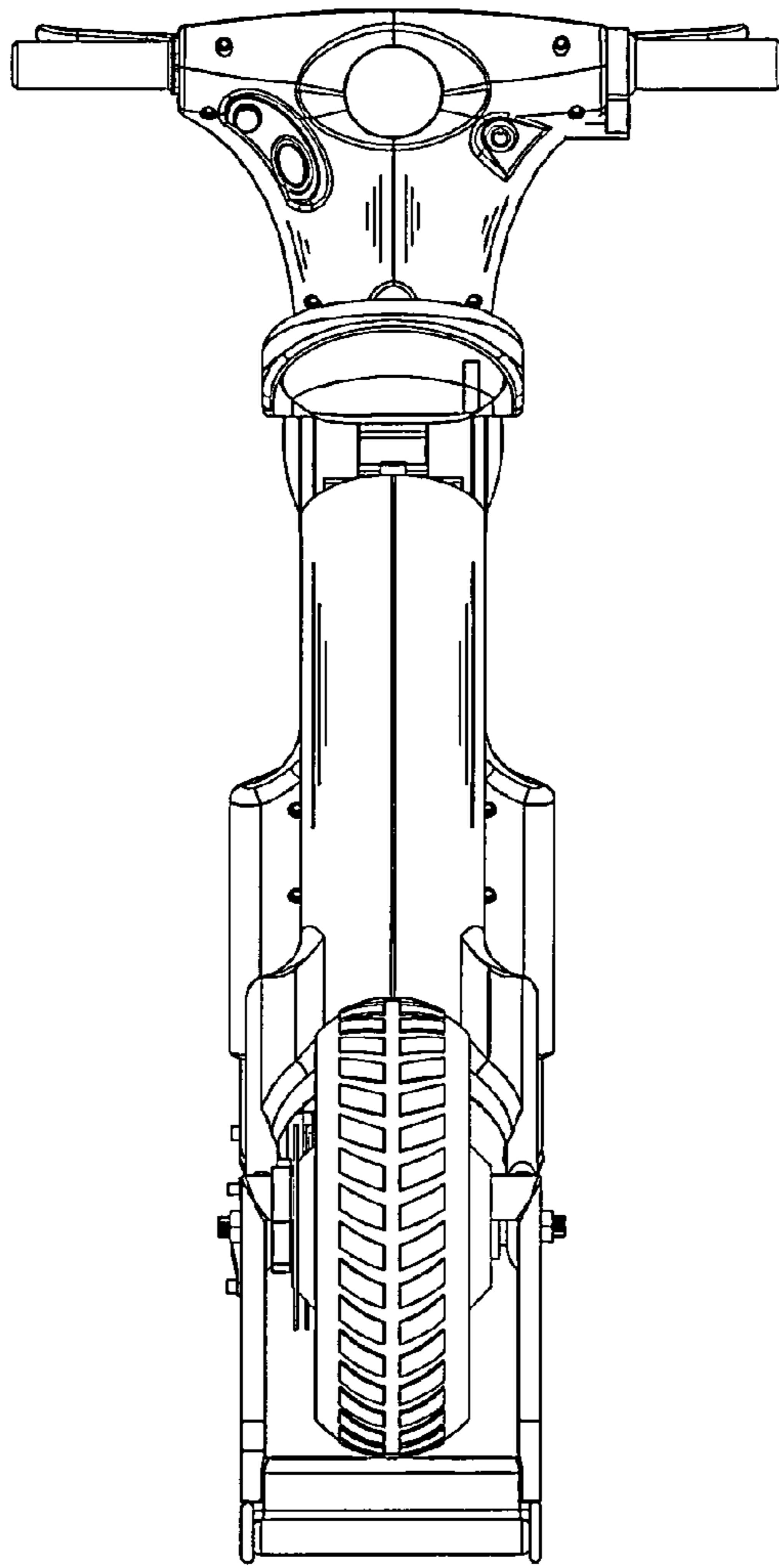


FIG. 3

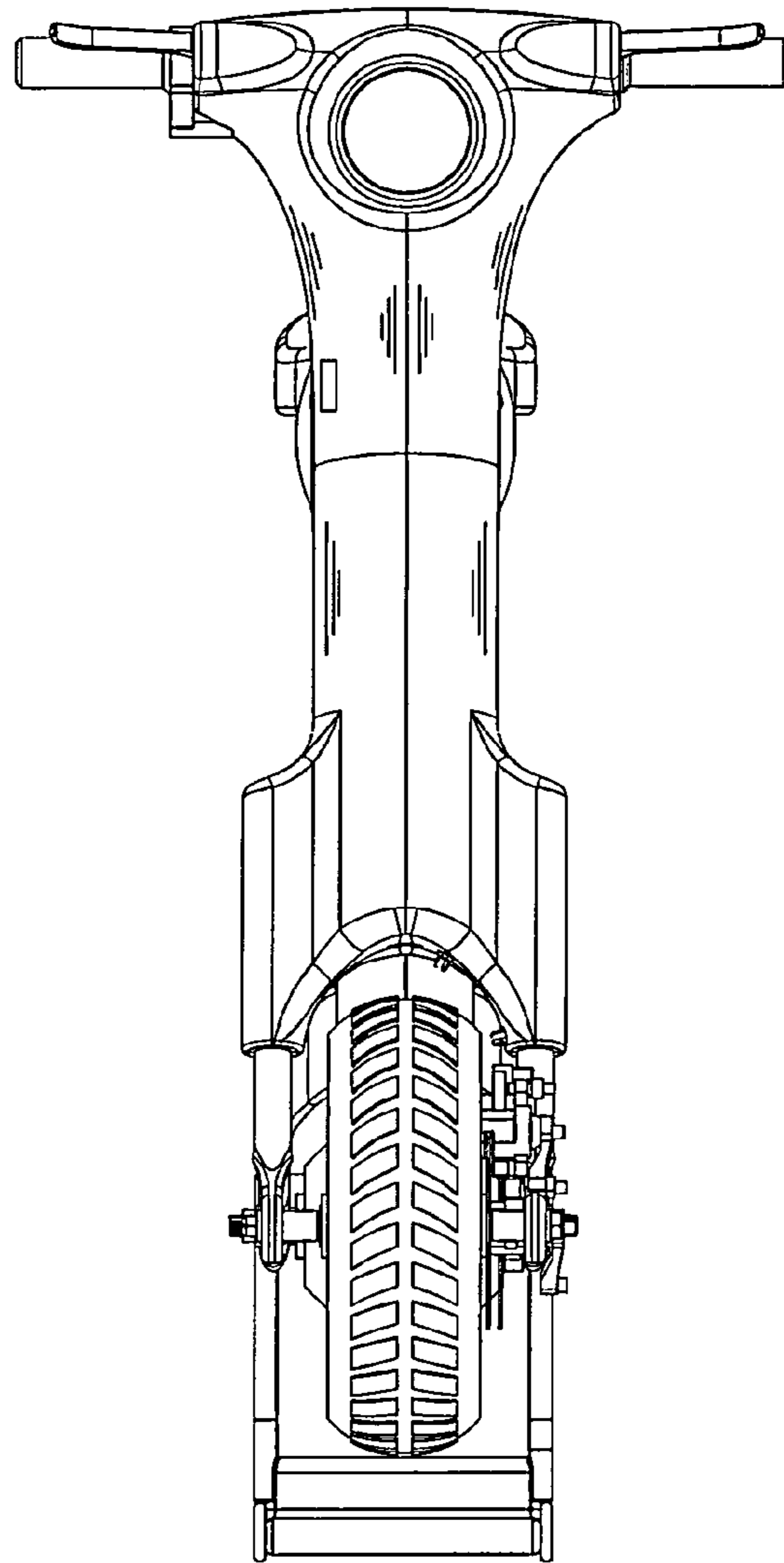


FIG. 4

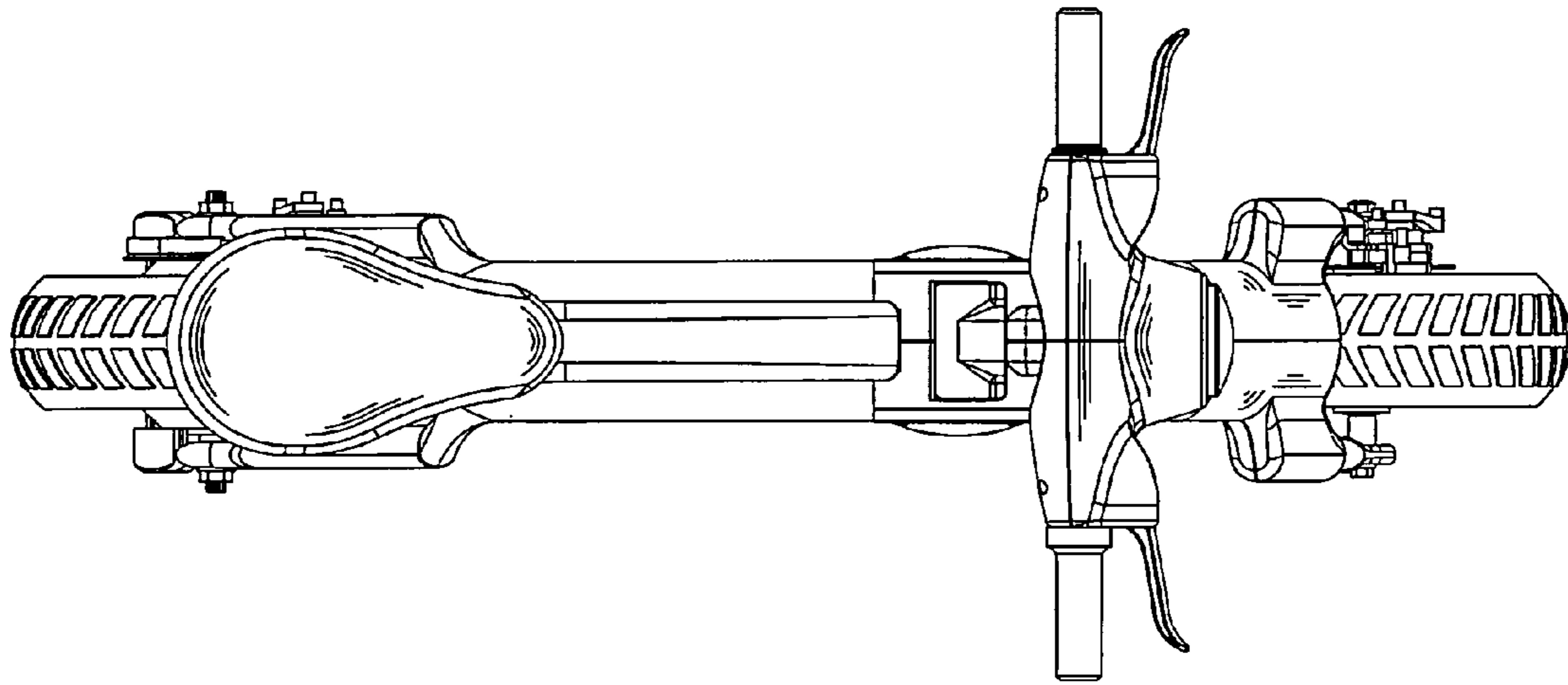


FIG. 5

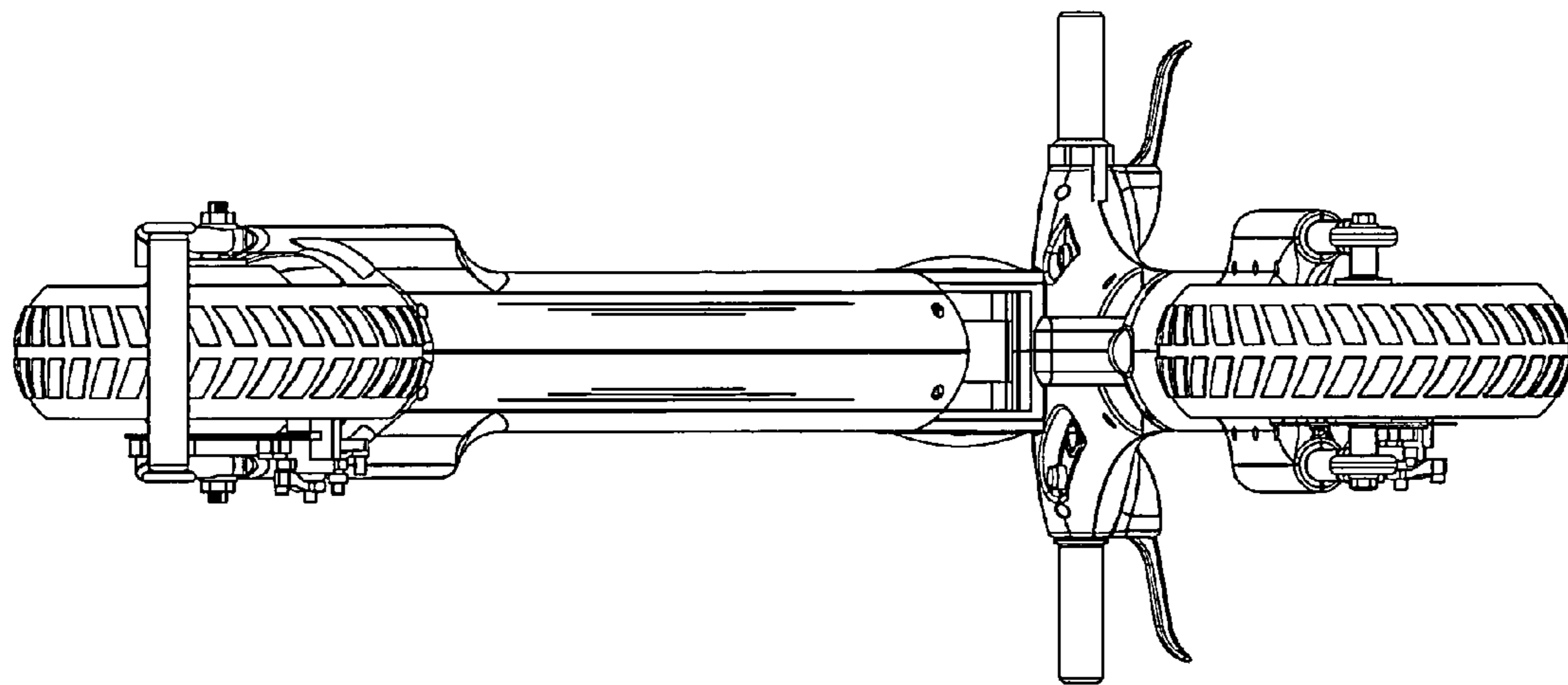


FIG. 6

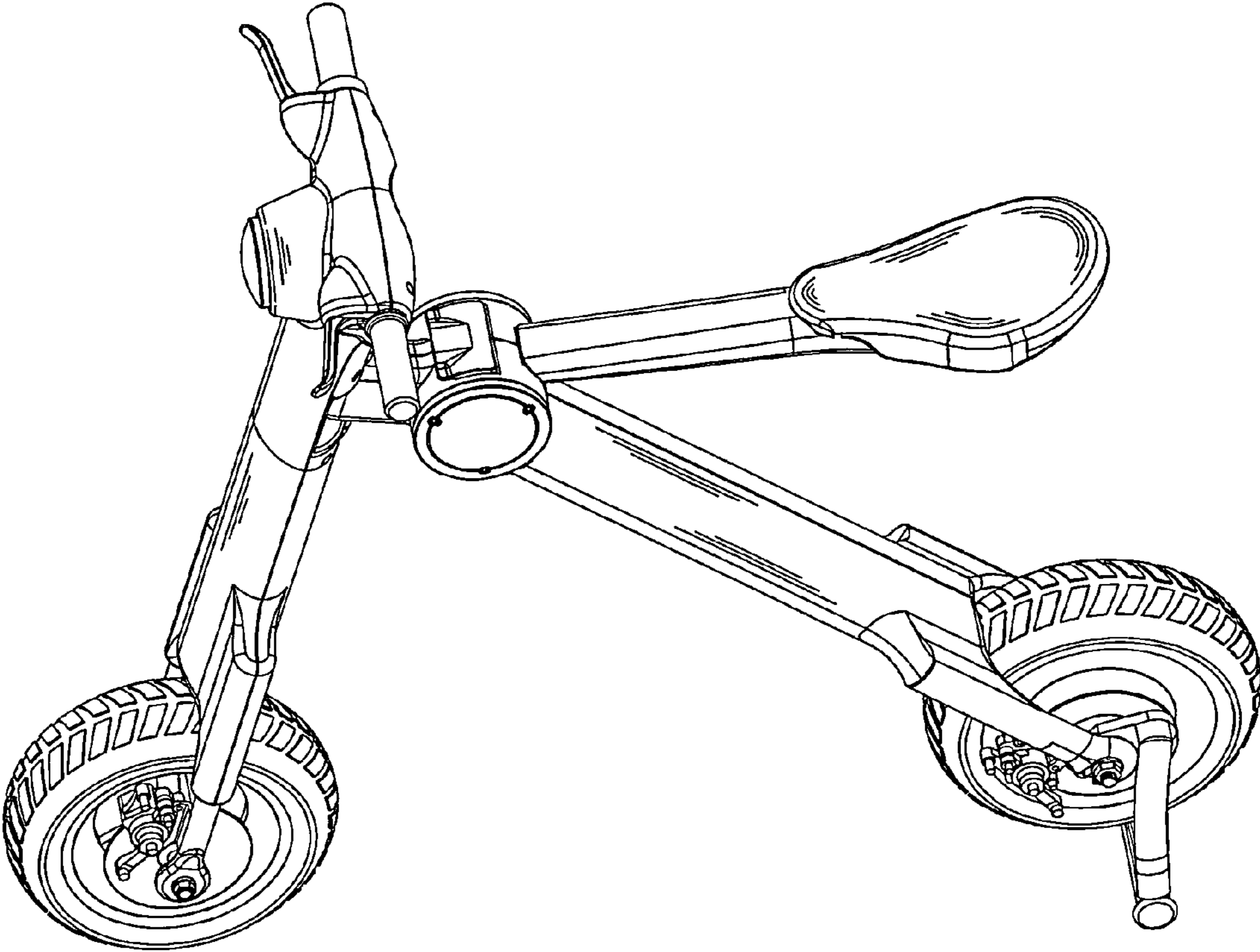


FIG. 7

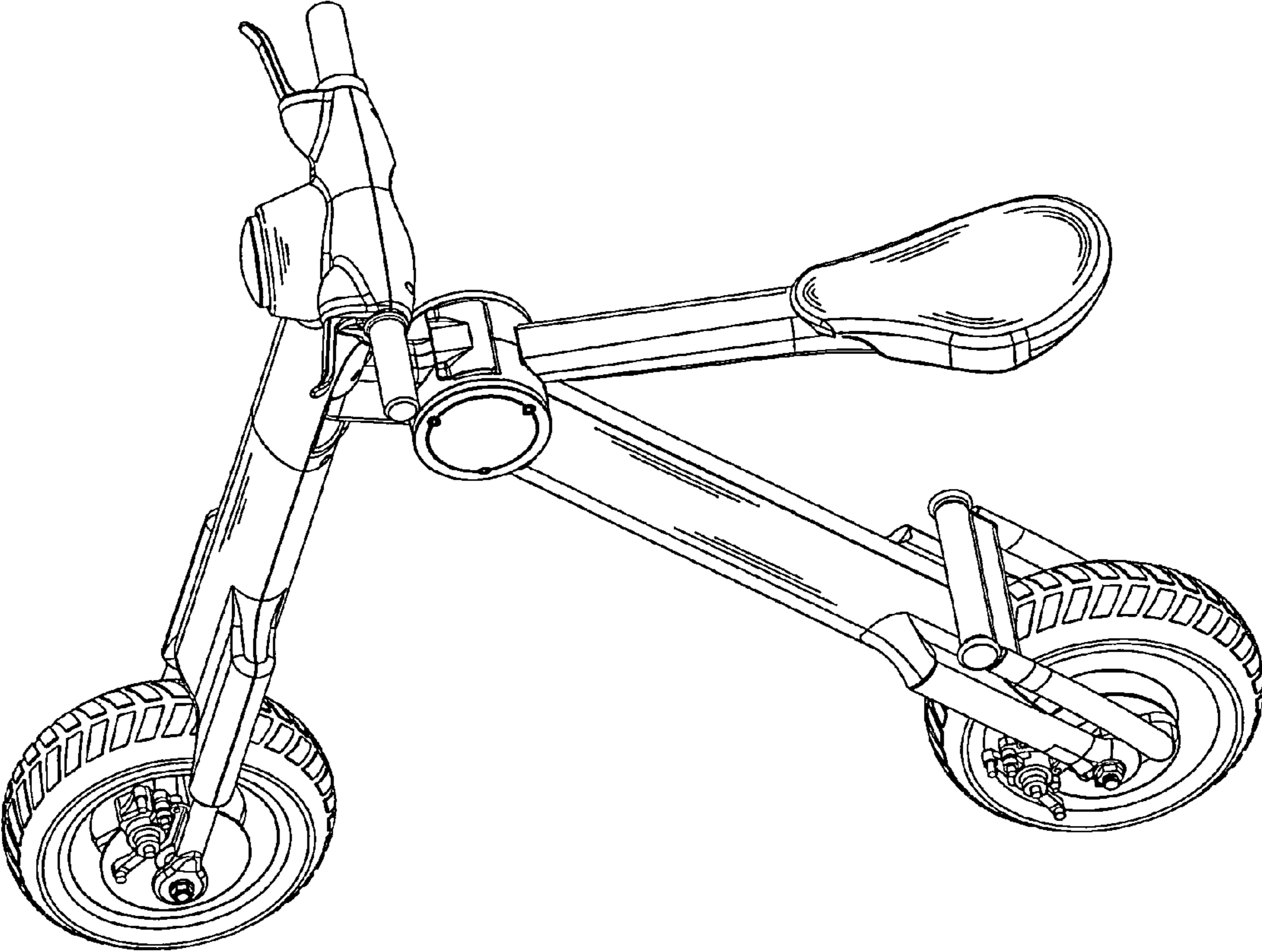


FIG. 8



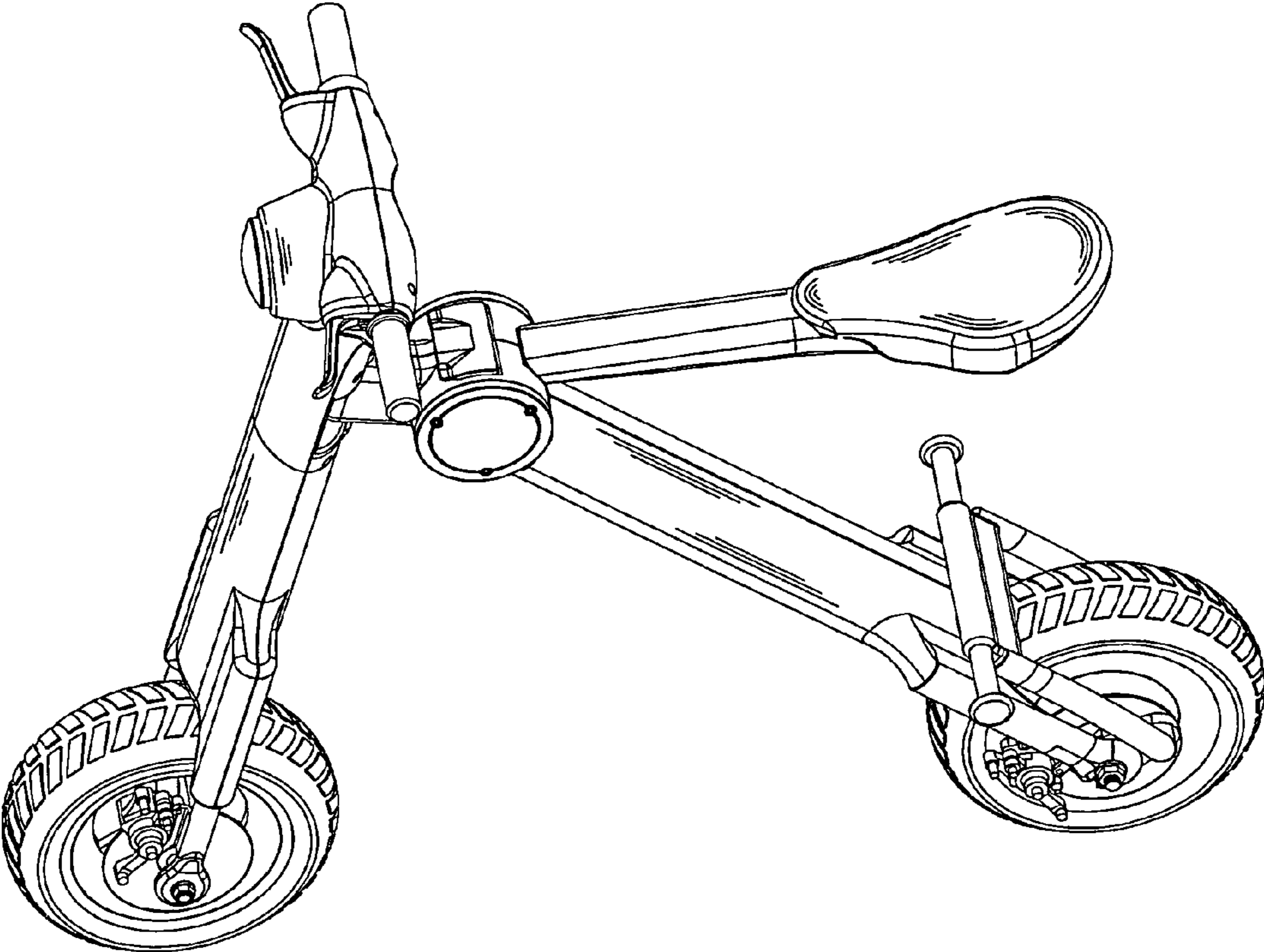


FIG. 9

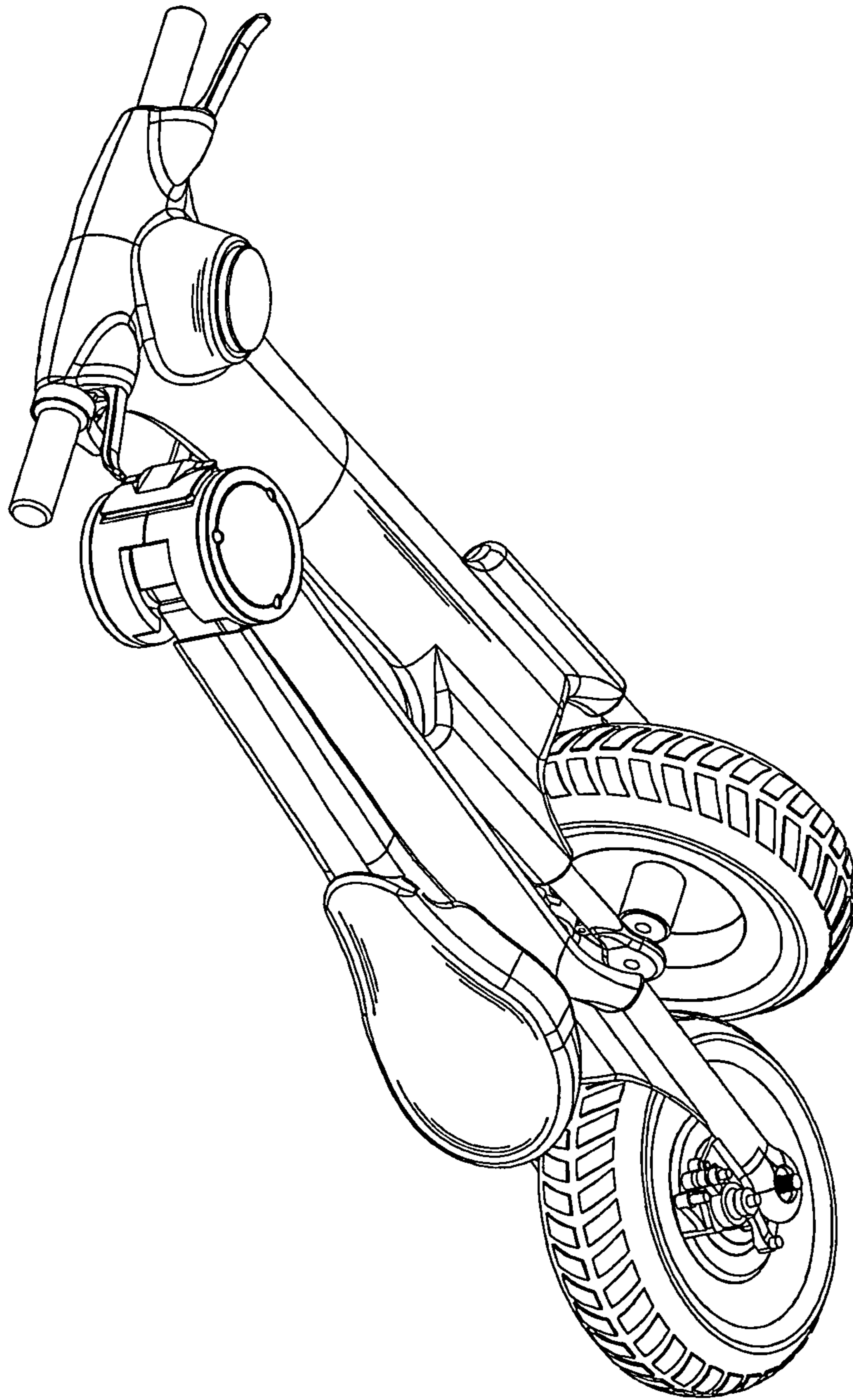


FIG. 10