



US00D726590S

(12) **United States Design Patent**
Riviere

(10) **Patent No.:** **US D726,590 S**

(45) **Date of Patent:** **** Apr. 14, 2015**

(54) **CUFFLINK**

(71) Applicant: **Harry Winston SA**, Plan-les-Ouates
(CH)

(72) Inventor: **Dominique Riviere**, New York, NY (US)

(73) Assignee: **Harry Winston SA**, Plan-les-Ouates
(CH)

(**) Term: **14 Years**

(21) Appl. No.: **29/485,597**

(22) Filed: **Mar. 20, 2014**

(30) **Foreign Application Priority Data**

Jan. 6, 2014 (WO) DM/082 566

(51) **LOC (10) Cl.** **02-07**

(52) **U.S. Cl.**
USPC **D11/222**

(58) **Field of Classification Search**
USPC D11/30, 200-231; 24/97, 100-103,
24/108, 623, 697.2, 688-690, 662, 381,
24/385, 102 R; 63/20, 12; D8/382-383;
D19/48; 219/121.69

See application file for complete search history.

(56) **References Cited**

U.S. PATENT DOCUMENTS

D70,769 S * 8/1926 Ormsbee D11/223
1,602,747 A * 10/1926 Brown 24/100
2,123,790 A * 7/1938 Mix 24/102 PL
D111,057 S * 8/1938 Anderson D11/213
D140,726 S * 4/1945 Collura D11/226
2,459,703 A * 1/1949 Howard 24/97

2,665,465 A * 1/1954 Albrecht 24/97
2,793,415 A * 5/1957 Respini 24/100
3,144,692 A * 8/1964 Espino 24/97
D263,765 S * 4/1982 Engelhardt D11/226
5,149,938 A * 9/1992 Winston et al. 219/121.69
D351,815 S * 10/1994 Bennett D11/222
D355,396 S * 2/1995 Andrau D11/222
D362,682 S * 9/1995 Pitteloud D19/48
D397,064 S * 8/1998 Nelson D11/222
D415,068 S * 10/1999 Calvani D11/222
D508,432 S * 8/2005 Cogoli et al. D11/222
D547,236 S * 7/2007 Arasheben et al. D11/222
D565,462 S * 4/2008 Stewart-Stand D11/222
7,681,287 B2 * 3/2010 Iten 24/102 R
D617,680 S * 6/2010 Graff D11/222
D625,659 S * 10/2010 Sawyer D11/222
D670,594 S * 11/2012 Yu D11/30
D708,096 S * 7/2014 Lasserre D11/222
D708,548 S * 7/2014 Lasserre D11/222

* cited by examiner

Primary Examiner — T. Chase Nelson

Assistant Examiner — Mark Cavanna

(74) *Attorney, Agent, or Firm* — Donald J. Ranft; Kristen A. Mogavero; Collen IP

(57) **CLAIM**

The ornamental design for a cufflink, as shown.

DESCRIPTION

FIG. 1 is a front top perspective view of a cufflink showing my new design;

FIG. 2 is a front view thereof;

FIG. 3 is a rear view thereof;

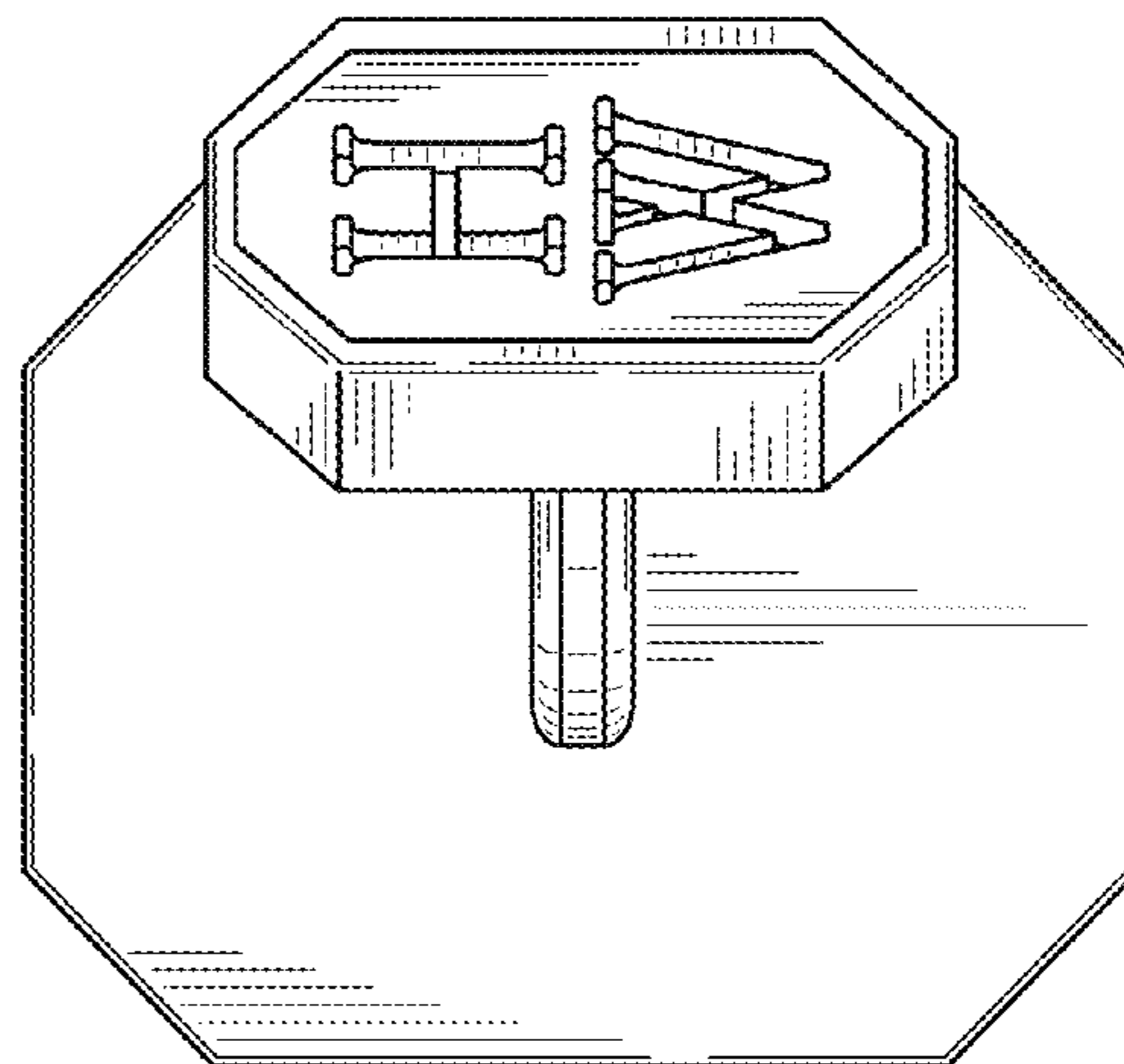
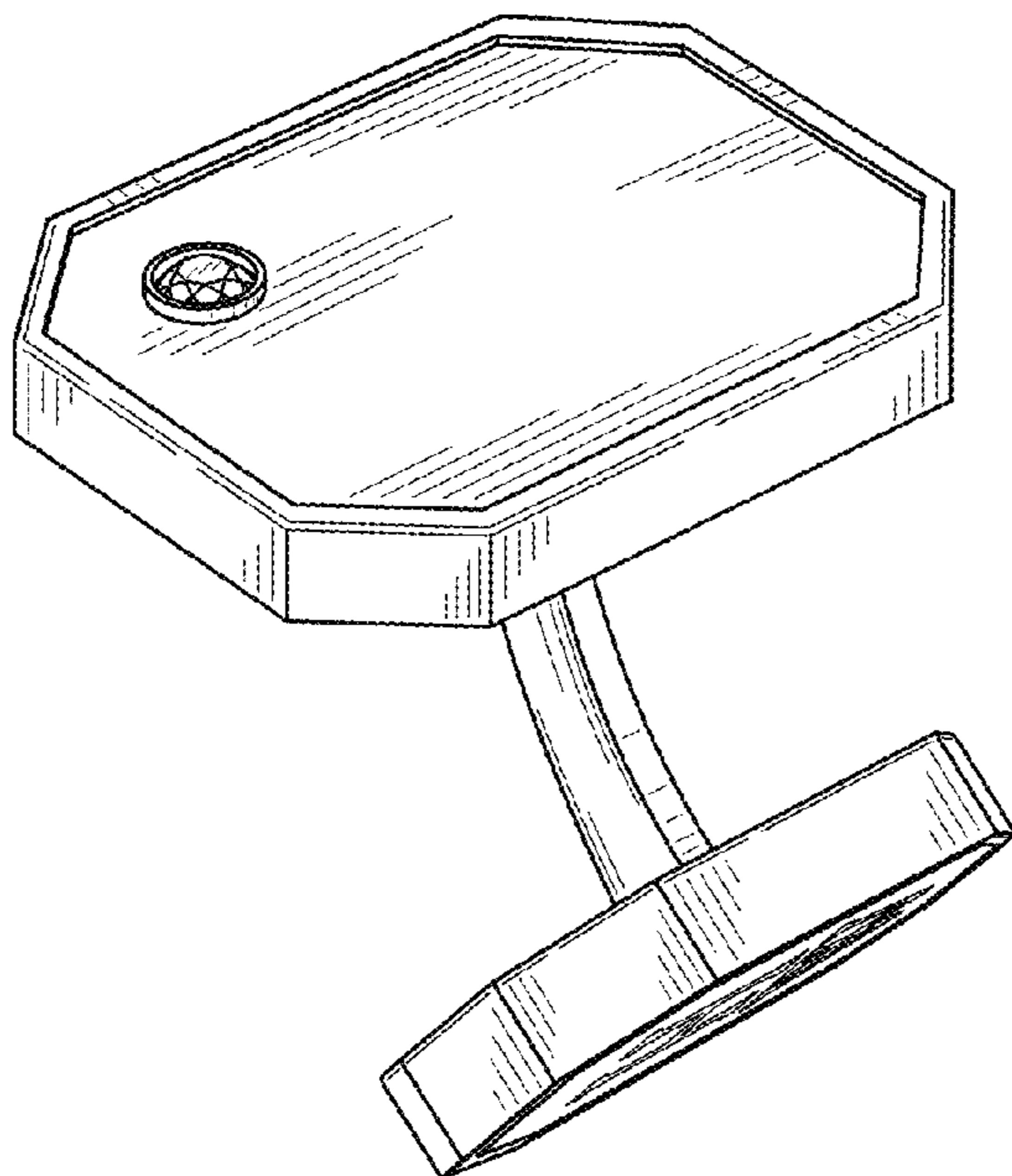
FIG. 4 is a left side view thereof;

FIG. 5 is a right side view thereof;

FIG. 6 is a top view thereof; and,

FIG. 7 is a bottom view thereof.

1 Claim, 2 Drawing Sheets



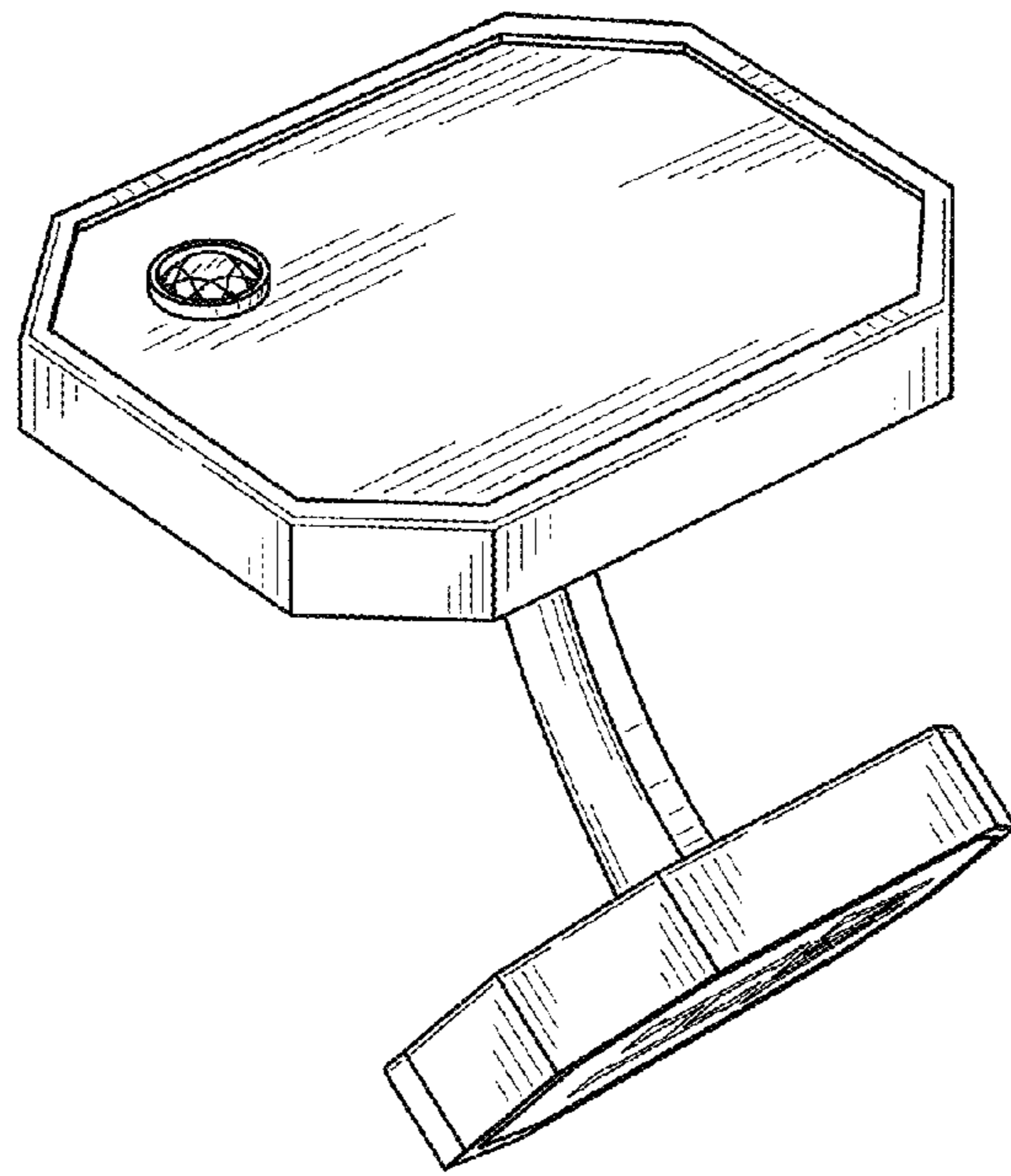


FIG. 1

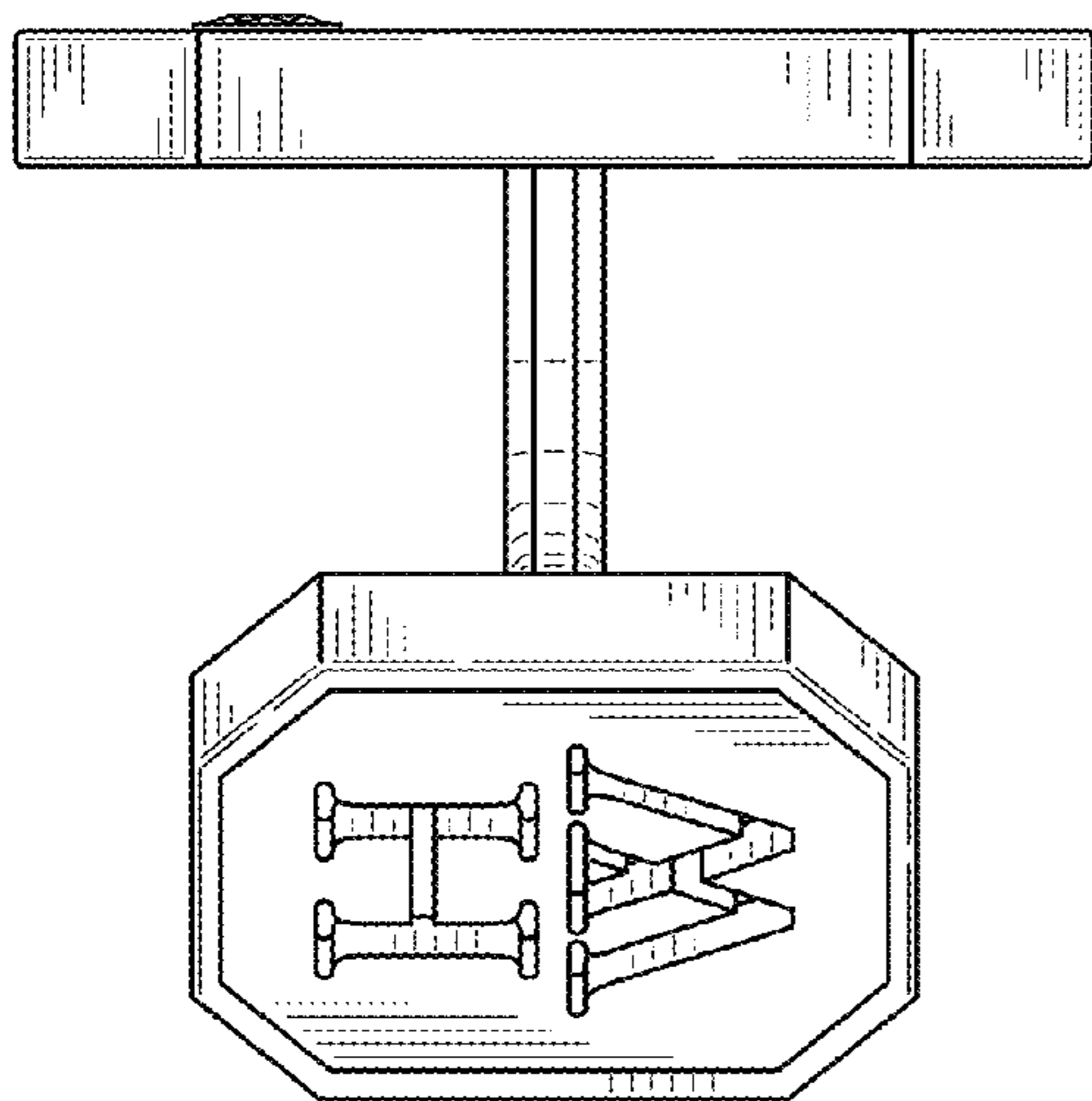


FIG. 2

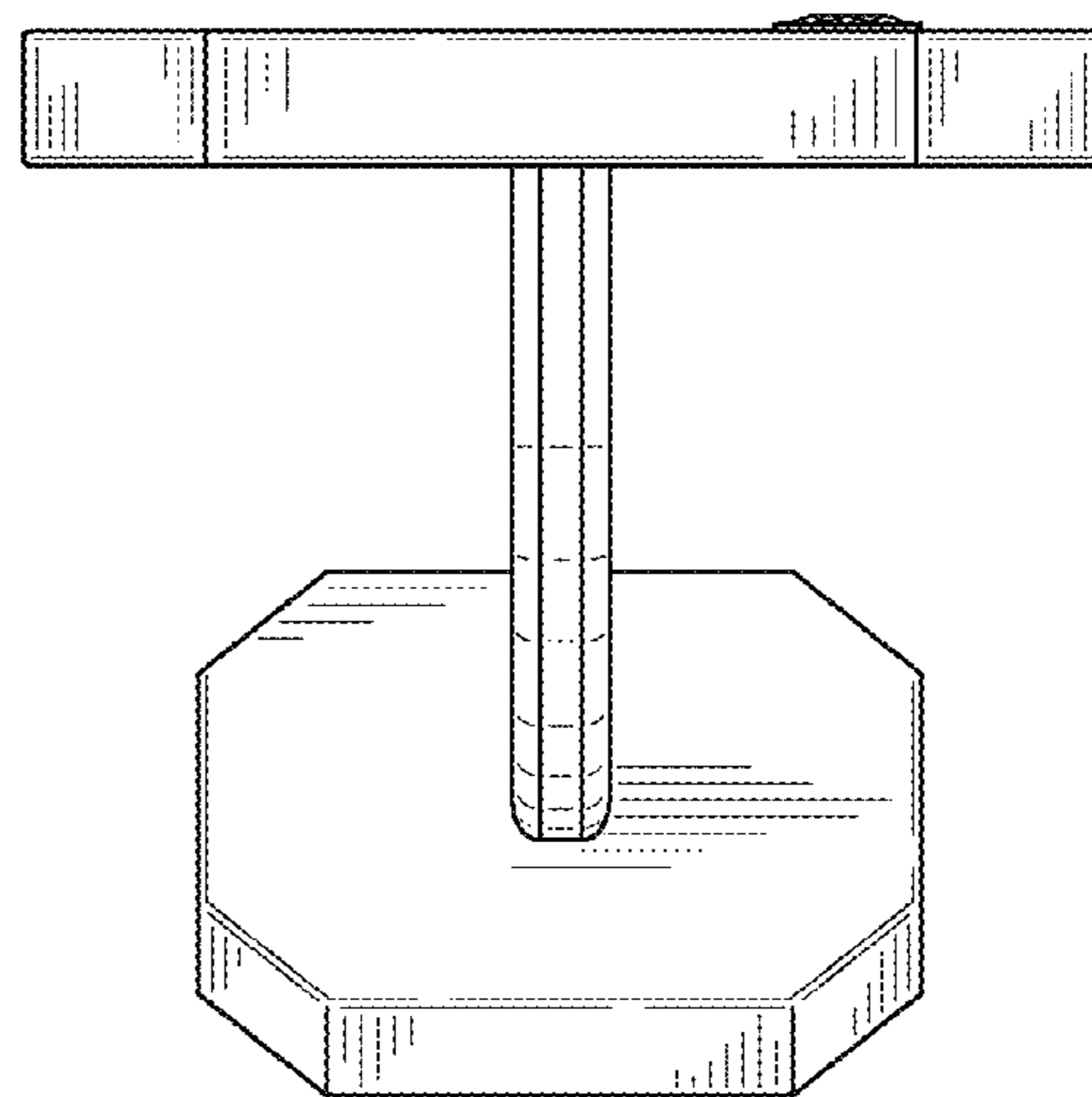


FIG. 3

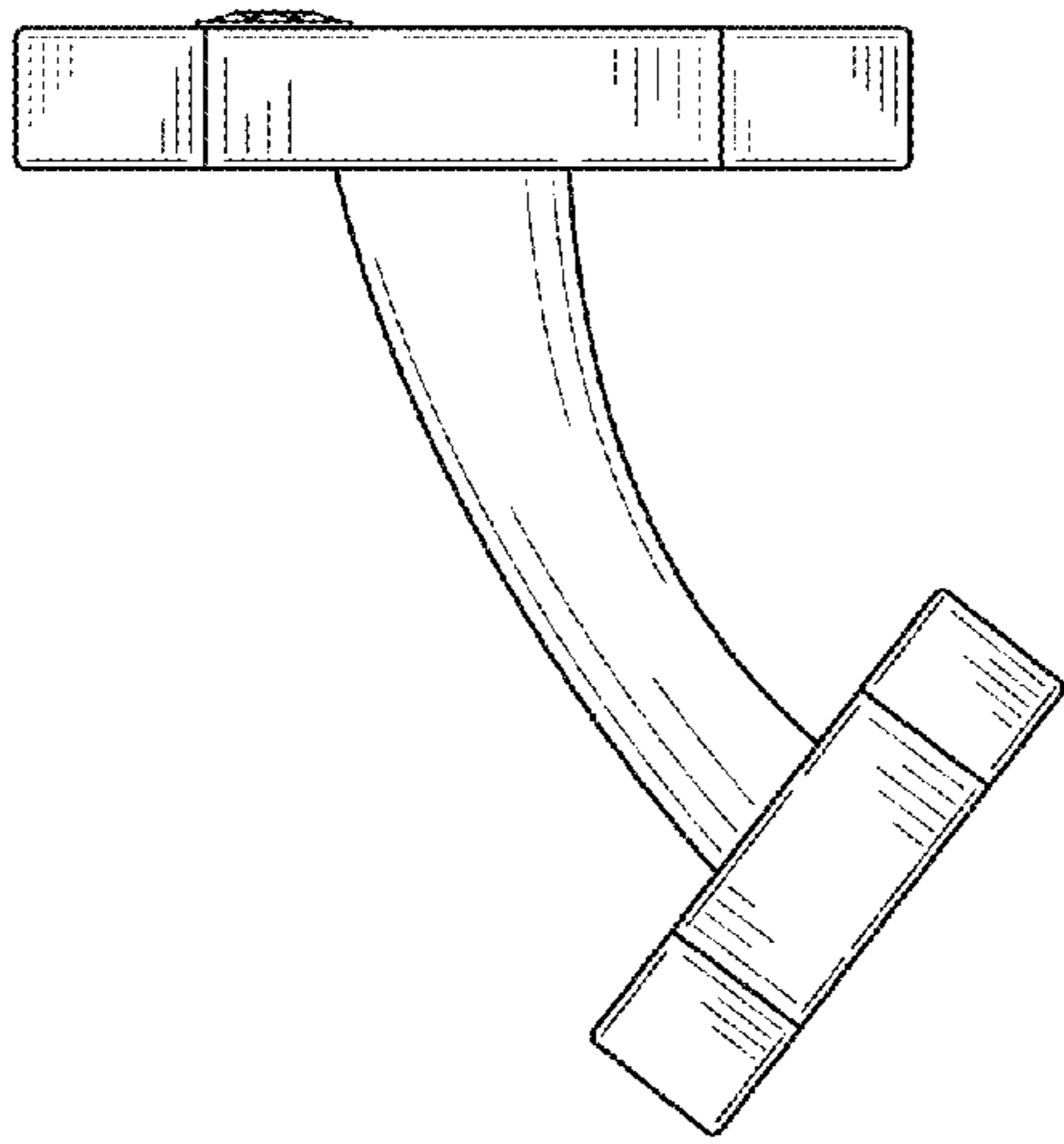


FIG. 4

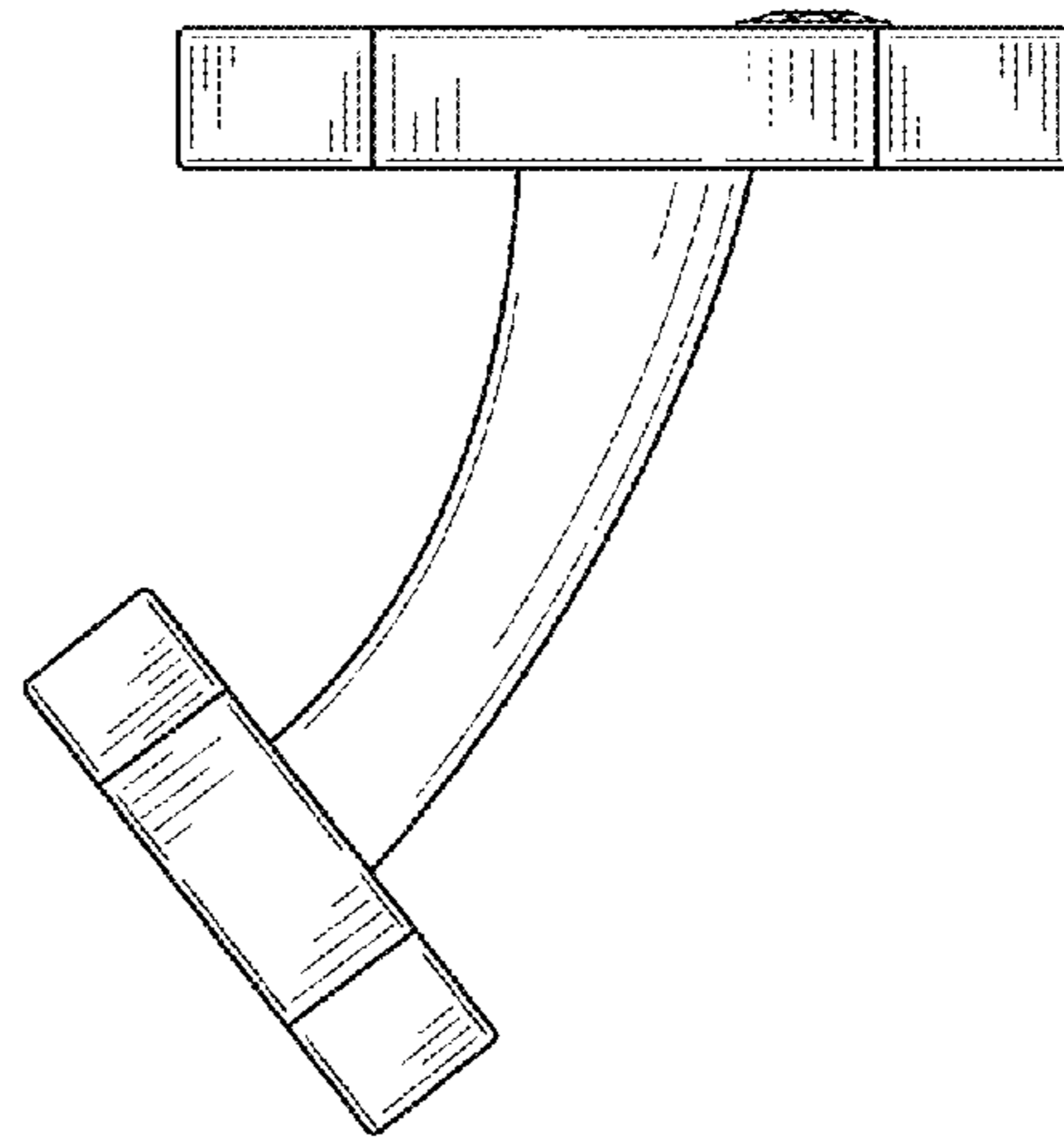


FIG. 5

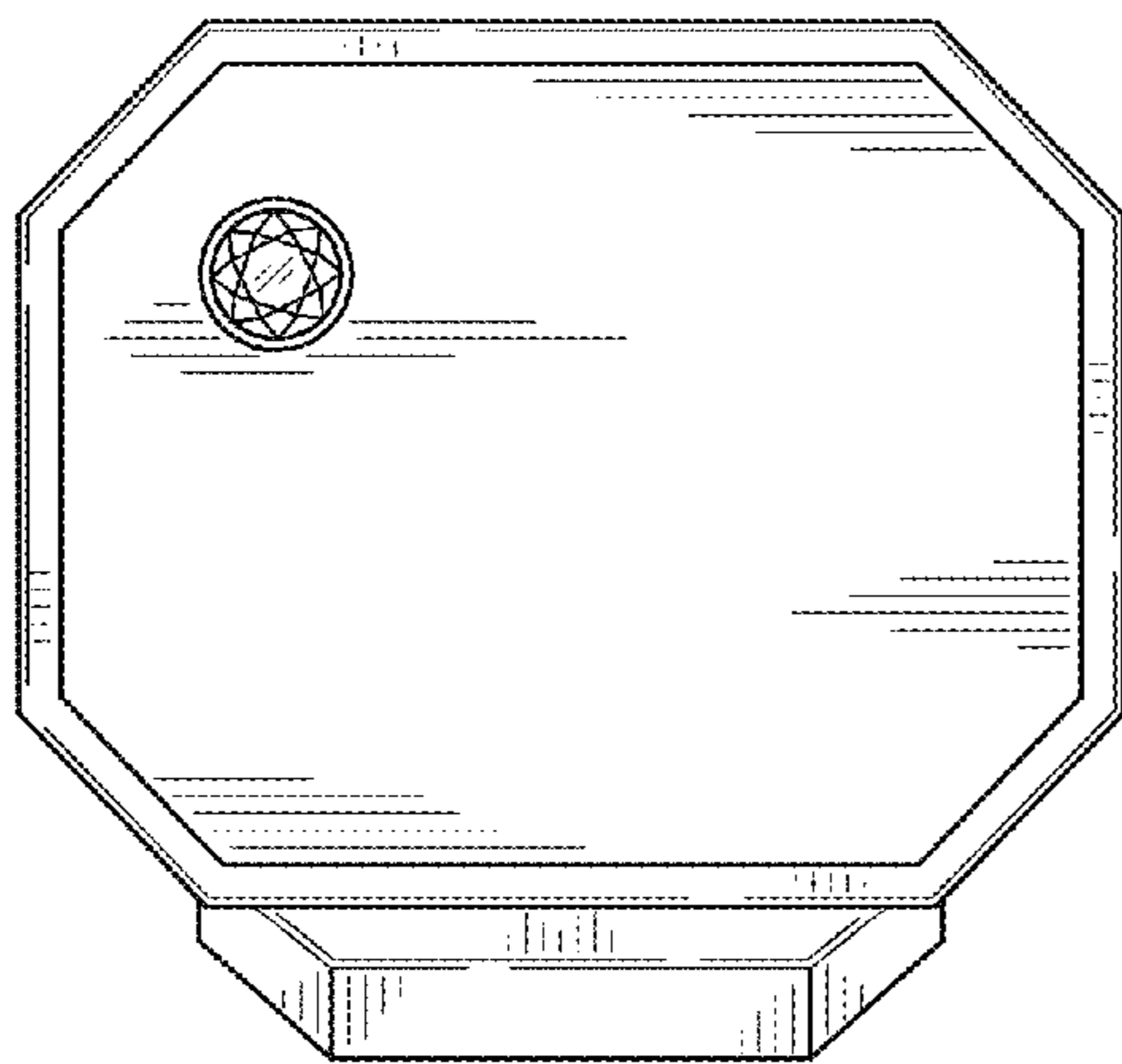


FIG. 6

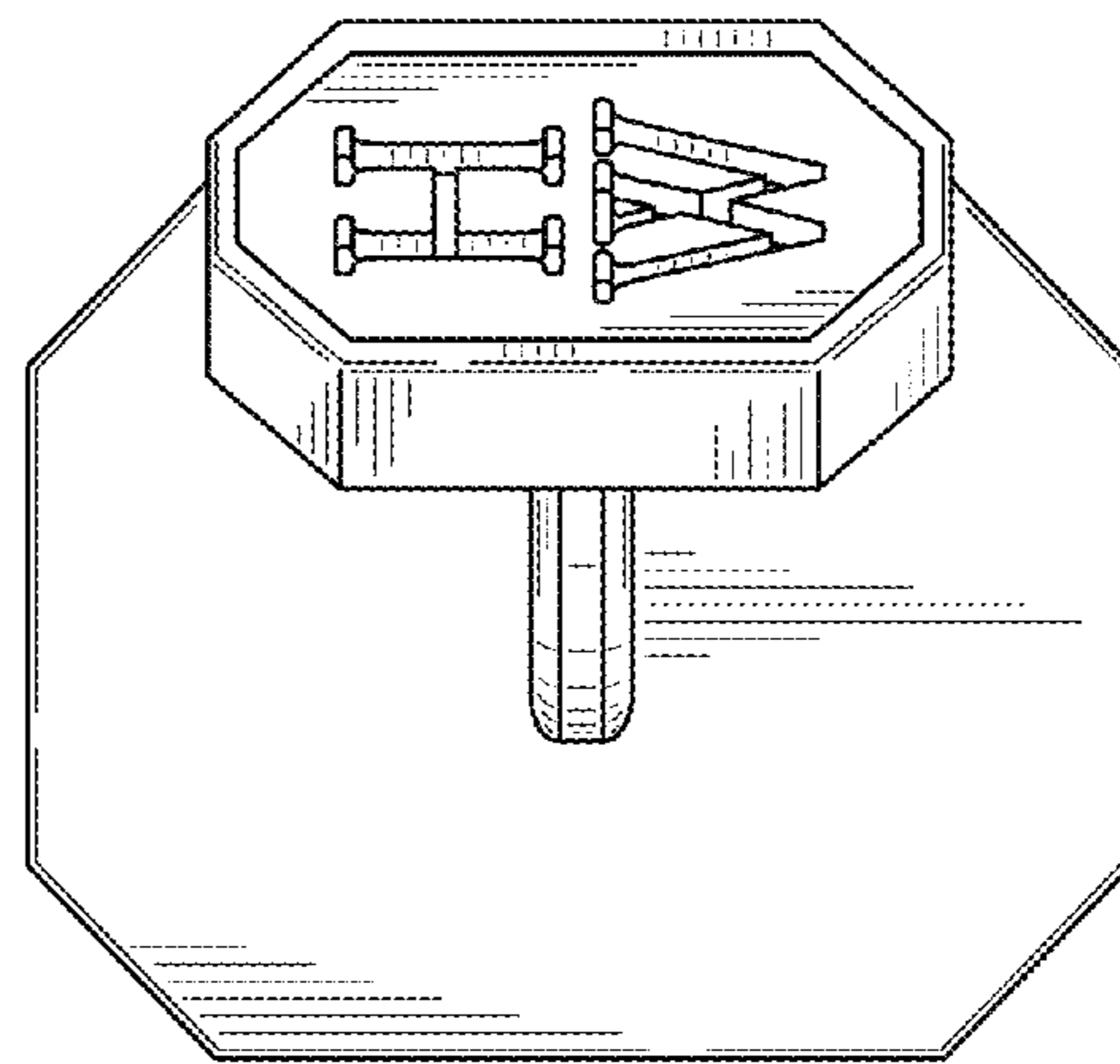


FIG. 7