



US00D726585S

(12) **United States Design Patent**
Schall

(10) **Patent No.:** **US D726,585 S**

(45) **Date of Patent:** **** Apr. 14, 2015**

(54) **POTTED PLANT HOLDER**

(71) Applicant: **Randy Schall**, Sioux Falls, SD (US)

(72) Inventor: **Randy Schall**, Sioux Falls, SD (US)

(**) Term: **14 Years**

(21) Appl. No.: **29/479,054**

(22) Filed: **Jan. 10, 2014**

(51) **LOC (10) Cl.** **11-02**

(52) **U.S. Cl.**
USPC **D11/155**

(58) **Field of Classification Search**

CPC A01G 9/02; A01G 9/022; A01G 9/04;
A01G 9/042; A01G 9/045; A01G 9/10;
A47G 7/045; A47G 7/047
USPC D3/304, 315, 310-313; D6/403, 404,
D6/405; D9/418, 519, 537, 545, 549;
D11/143-156; D26/55; 47/17, 39,
47/41.01, 65.5, 65.7, 65.9, 66.6, 66.7, 77,
47/86; D7/509-532; D24/224
See application file for complete search history.

(56) **References Cited**

U.S. PATENT DOCUMENTS

3,396,488 A * 8/1968 Ries 47/33
D218,629 S * 9/1970 Hasselbach D11/156
D242,266 S * 11/1976 Beb D11/156
4,499,997 A 2/1985 Swingley, Jr.
D289,864 S * 5/1987 Pecoff D11/164
4,899,487 A 2/1990 Brownlee
5,327,679 A * 7/1994 Hawthorne 47/73

5,467,555 A * 11/1995 Ripley et al. 47/65.9
5,581,936 A * 12/1996 Belgiorno 47/65.5
D388,362 S * 12/1997 Tuttle D11/155
D397,958 S * 9/1998 Ruthenberg D11/156
5,921,188 A 7/1999 Kohlhaas
6,134,834 A * 10/2000 Ripley et al. 47/86
D468,663 S * 1/2003 Fan D11/156
6,783,023 B1 8/2004 Fan
7,647,726 B2 * 1/2010 Gallo 47/31.1
D615,450 S * 5/2010 Cherem D11/143
D651,121 S * 12/2011 Grimme D11/155
D698,182 S * 1/2014 Schall D6/403
2006/0108368 A1 5/2006 Dube et al.

* cited by examiner

Primary Examiner — Elizabeth Albert

(57) **CLAIM**

The ornamental design for a potted plant holder, as shown and described.

DESCRIPTION

FIG. 1 is a front perspective view of a potted plant holder showing my new design, the rear perspective view being a mirror image thereof;

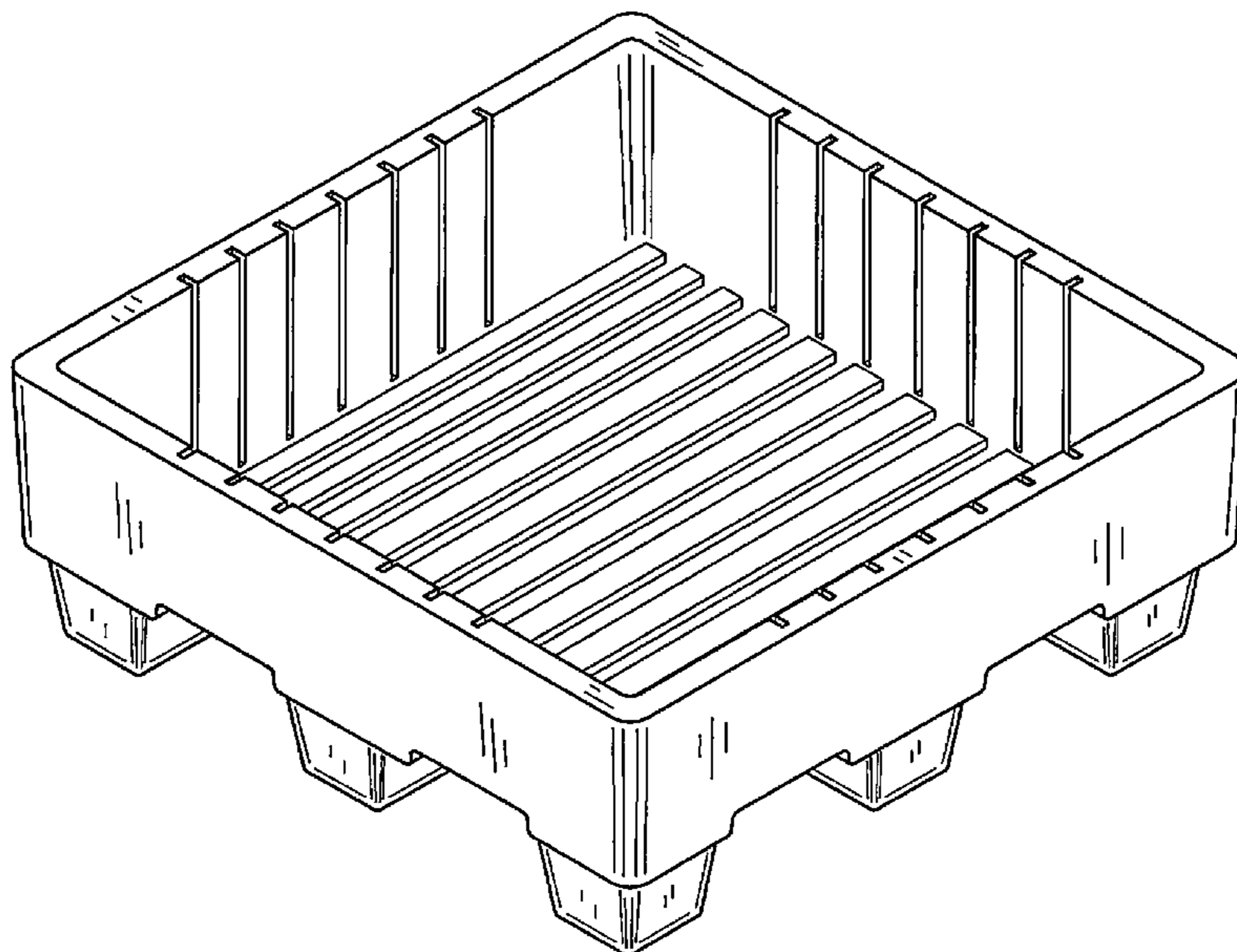
FIG. 2 is a top plan view thereof;

FIG. 3 is a right side view thereof, the left side view being identical to the right side view; and,

FIG. 4 is a front view thereof, the rear view being identical to the front view.

The features on the bottom in broken lines are included for the purpose of showing portions that form no part of the claimed design.

1 Claim, 3 Drawing Sheets



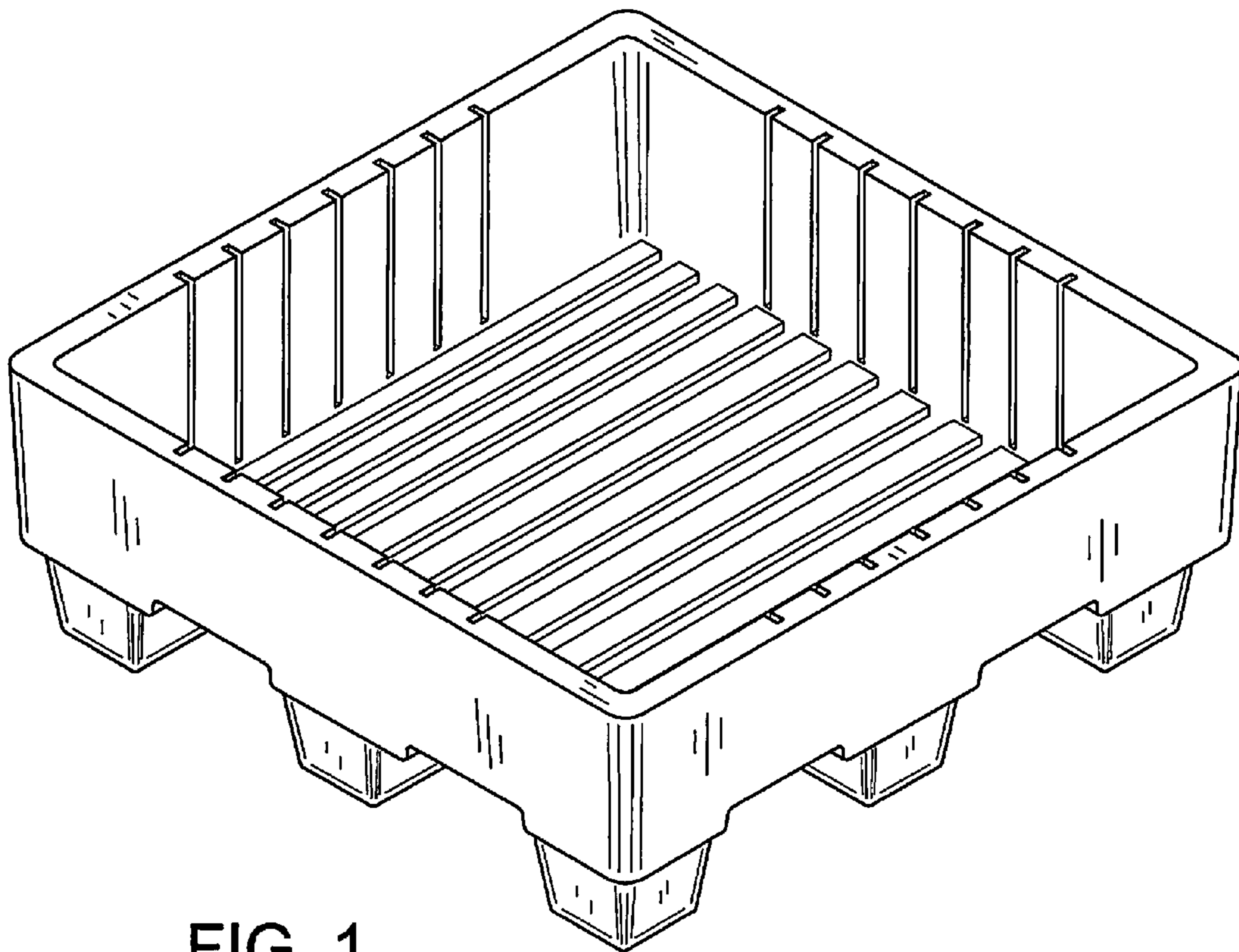


FIG. 1

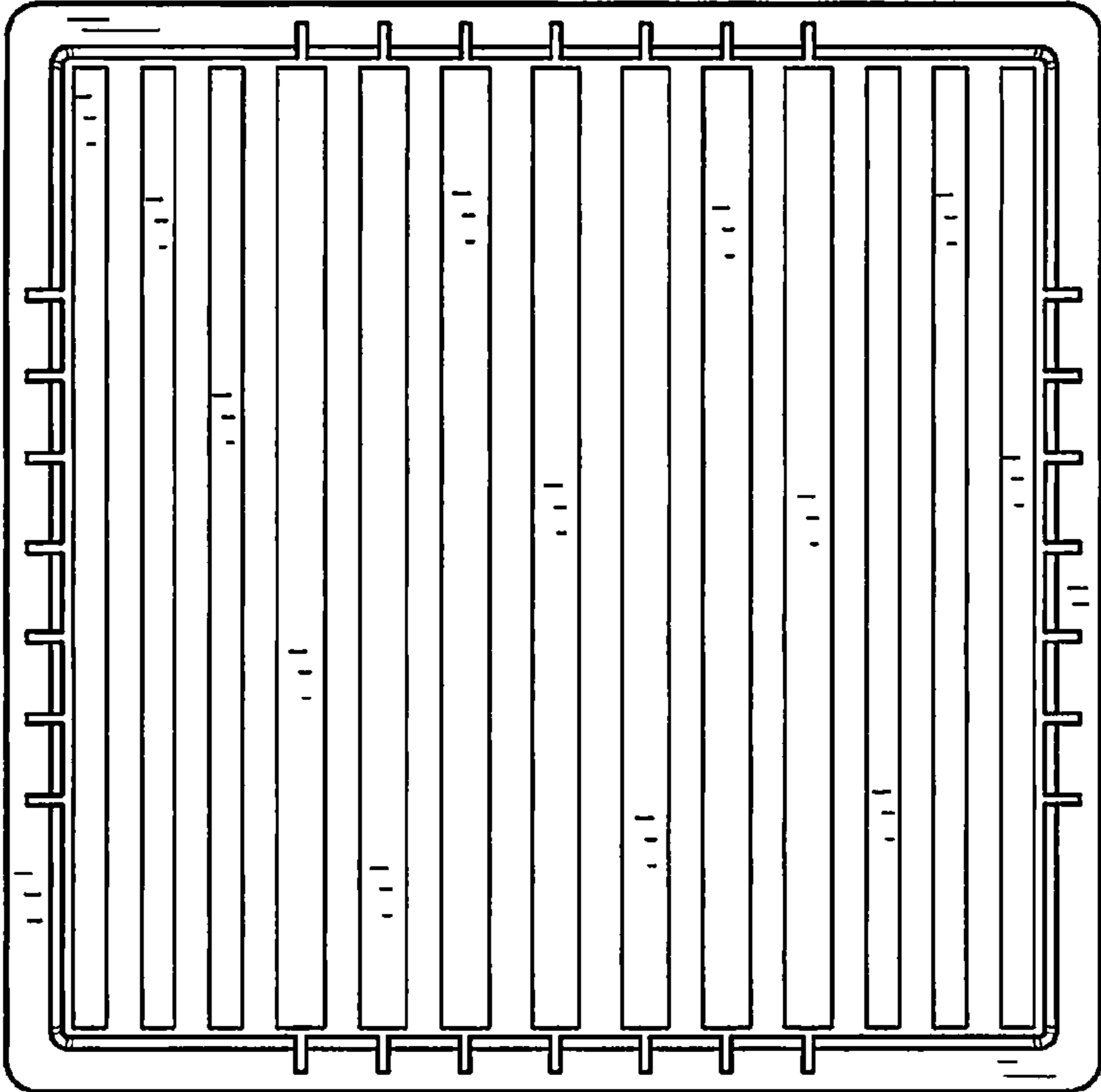


FIG. 2

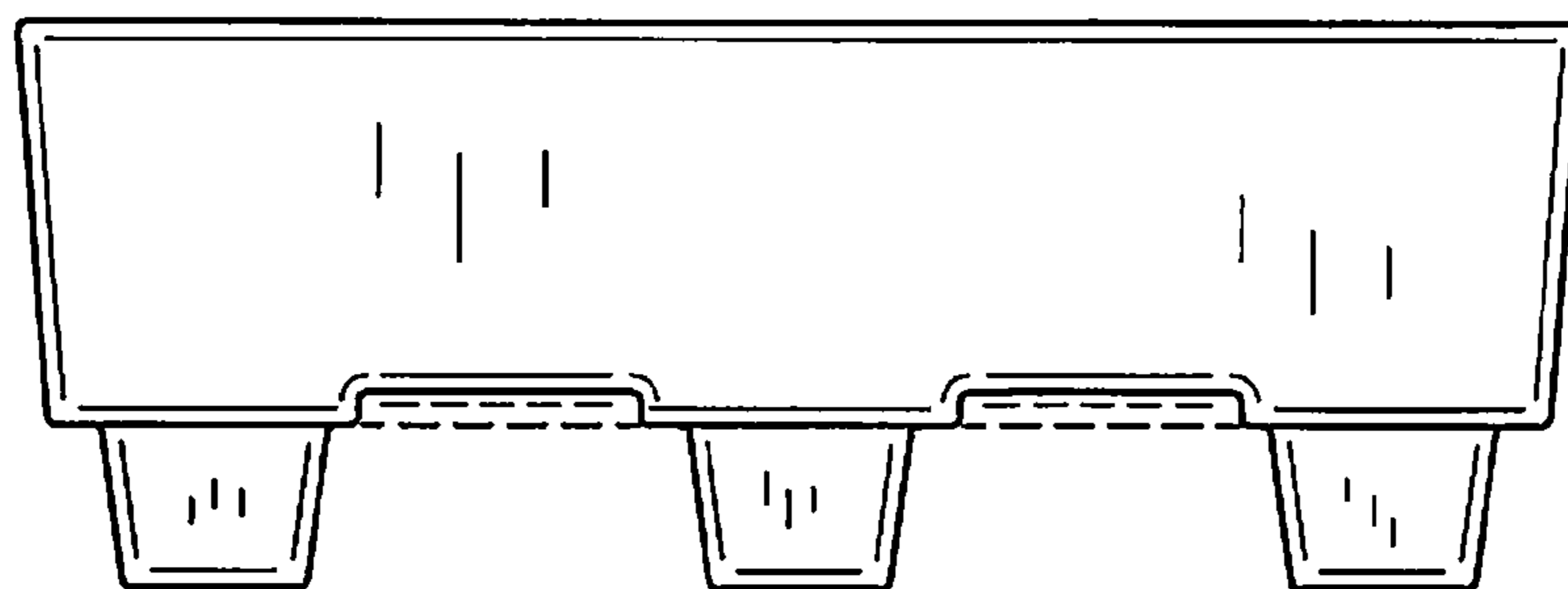


FIG. 3

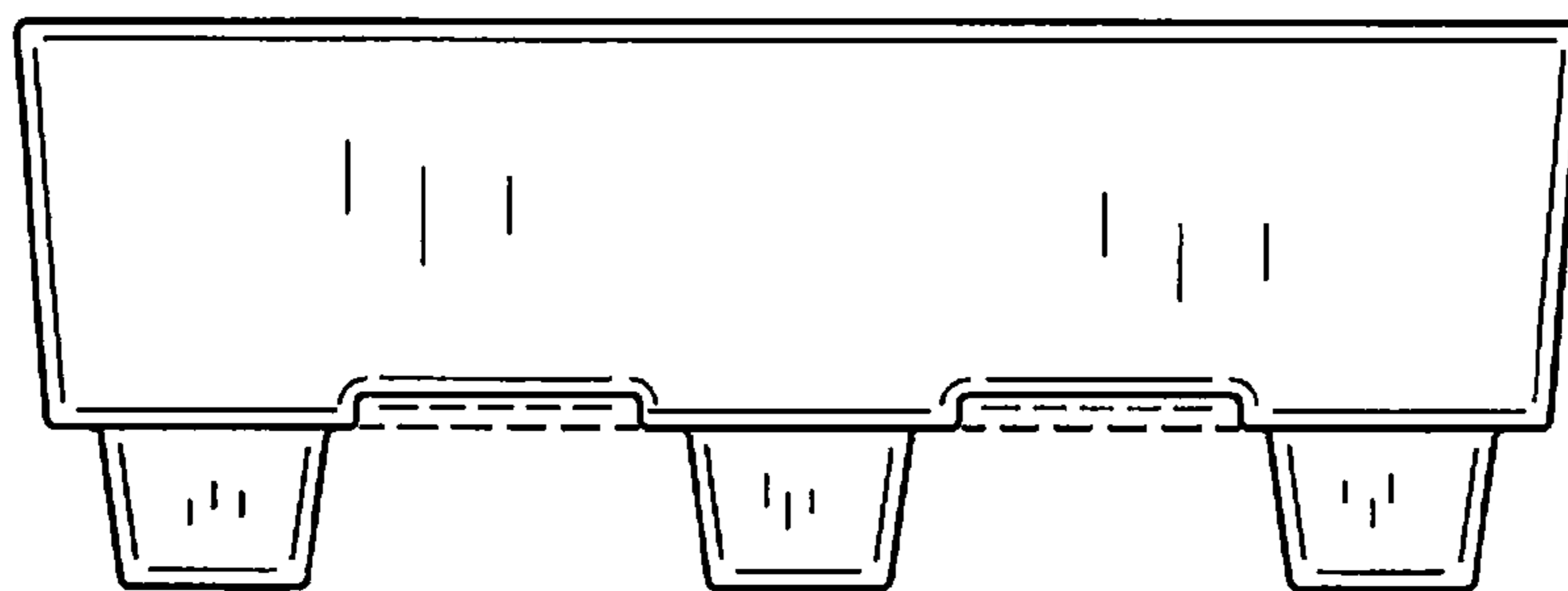


FIG. 4