



US00D726577S

(12) **United States Design Patent**
Weems

(10) **Patent No.:** **US D726,577 S**
(45) **Date of Patent:** **** Apr. 14, 2015**

(54) **EARRING ACCESSORY**

- (71) Applicant: **Origami Owl, LLC**, Chandler, AZ (US)
- (72) Inventor: **Christian H. Weems**, Gilbert, AZ (US)
- (73) Assignee: **Origami Owl, LLC**, Chandler, AZ (US)
- (**) Term: **14 Years**

(21) Appl. No.: **29/483,814**

(22) Filed: **Mar. 3, 2014**

(51) **LOC (10) Cl.** **11-01**

(52) **U.S. Cl.**
USPC **D11/86**; D11/40

(58) **Field of Classification Search**
USPC D11/1, 2, 40-48, 79, 80, 81, 86, 87, 88,
D11/91, 92; 63/12, 13, 1.11, 1.16, 26, 27,
63/28, 29.1, 29.2, 35, 40
See application file for complete search history.

(56) **References Cited**

U.S. PATENT DOCUMENTS

D52,755 S	*	12/1918	Silverman	D11/92
D390,151 S	*	2/1998	Blum et al.	D11/40
D538,696 S	*	3/2007	Azrielant et al.	D11/28
D622,173 S	*	8/2010	Blad et al.	D11/76
D668,986 S	*	10/2012	Friedman	D11/41
D687,337 S	*	8/2013	Kothari	D11/91
D712,778 S	*	9/2014	Kuiawa	D11/40

OTHER PUBLICATIONS

- [Online] <http://www.ross-simons.com/images/cf/787057c.jpg>. Retrieved Dec. 5, 2014.*
- [Online] http://images.costco-static.com/image/media/500-455072-847_1.jpg. Retrieved Dec. 5, 2014.*
- [Online] <http://www.origamiowl.com/PWPSHOWProduct.aspx?ProgramCategoryId=6&ProgramProductId=4353>. Retrieved Dec. 5, 2014.*

* cited by examiner

Primary Examiner — Garth Rademaker

Assistant Examiner — Melanie Pellegrini

(74) *Attorney, Agent, or Firm* — Fennemore Craig, P.C.

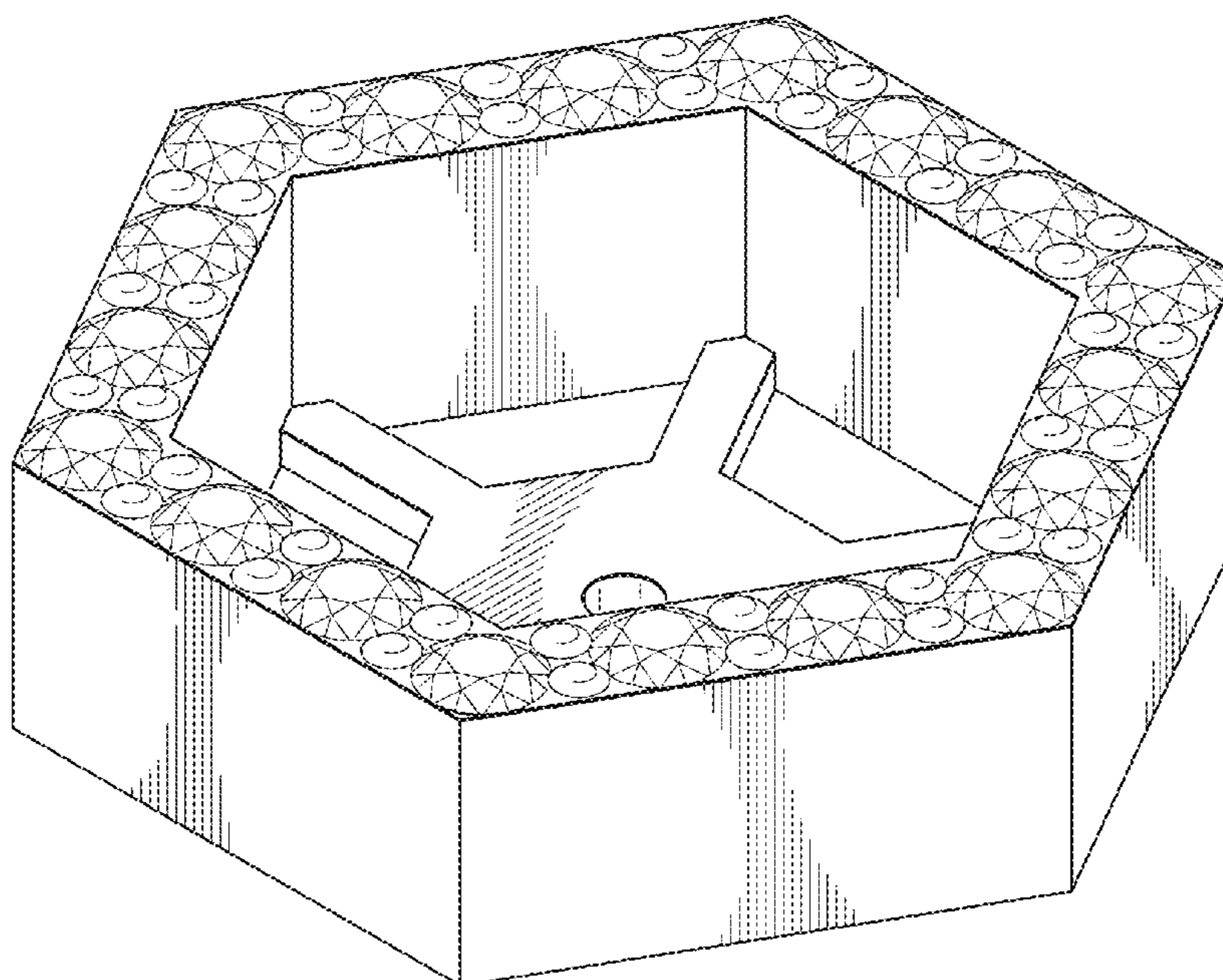
(57) **CLAIM**

The ornamental design for an earring accessory, as shown and described.

DESCRIPTION

FIG. 1 is a perspective view of an earring accessory;
 FIG. 2 is a front view the earring accessory shown in FIG. 1;
 FIG. 3 is a back view the earring accessory shown in FIG. 1;
 FIG. 4 is a right side view of the earring accessory shown in FIG. 1;
 FIG. 5 is a left side view of the earring accessory shown in FIG. 1;
 FIG. 6 is a top view of the earring accessory shown in FIG. 1;
 and,
 FIG. 7 is bottom view the earring accessory shown in FIG. 1.

1 Claim, 4 Drawing Sheets



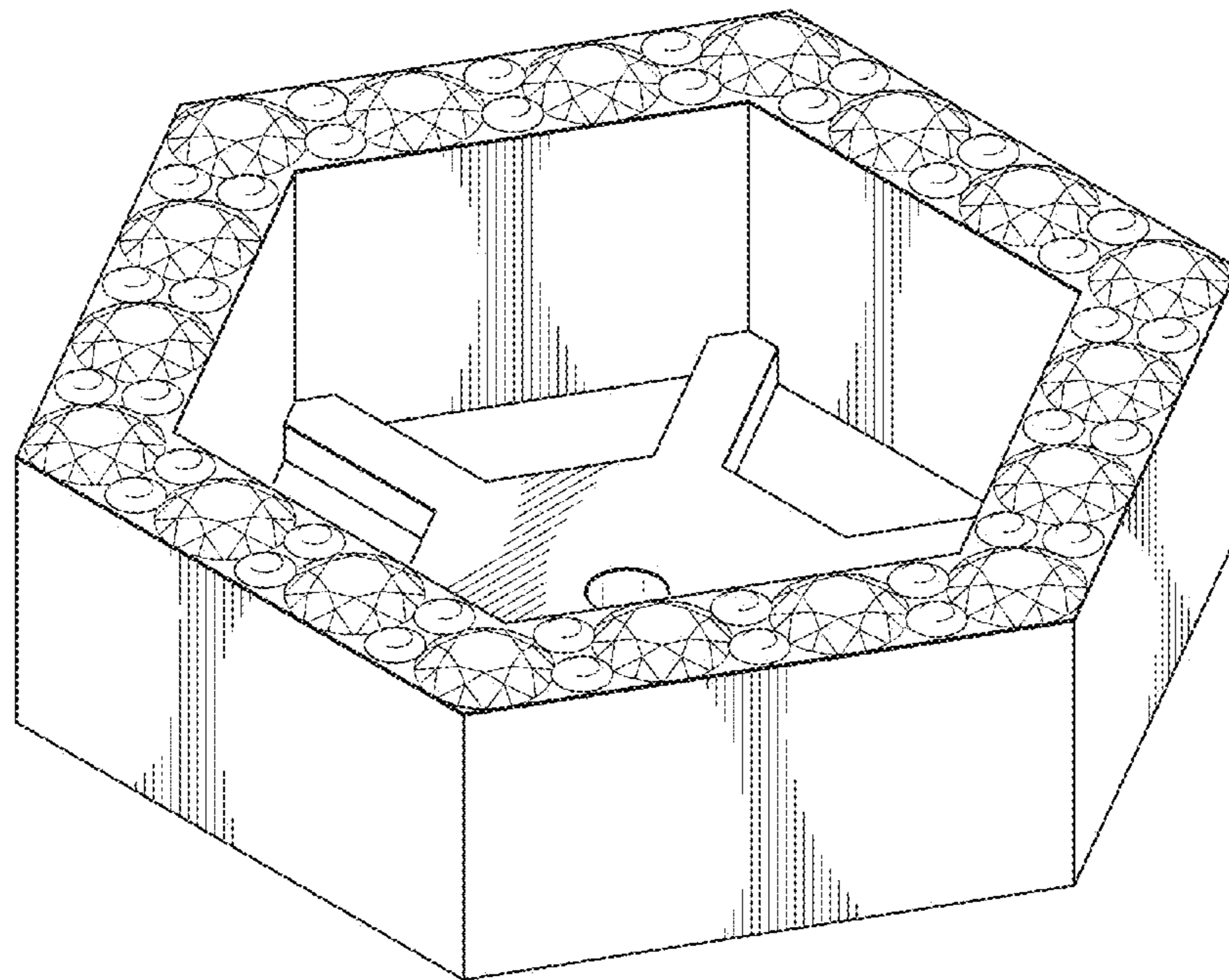


FIG. 1

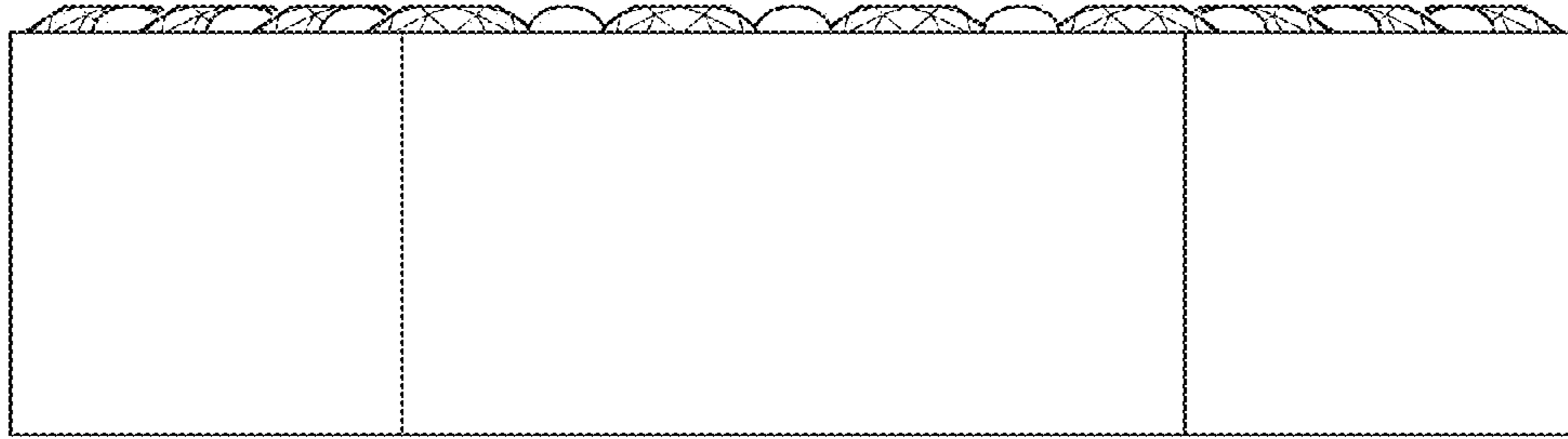


FIG. 2

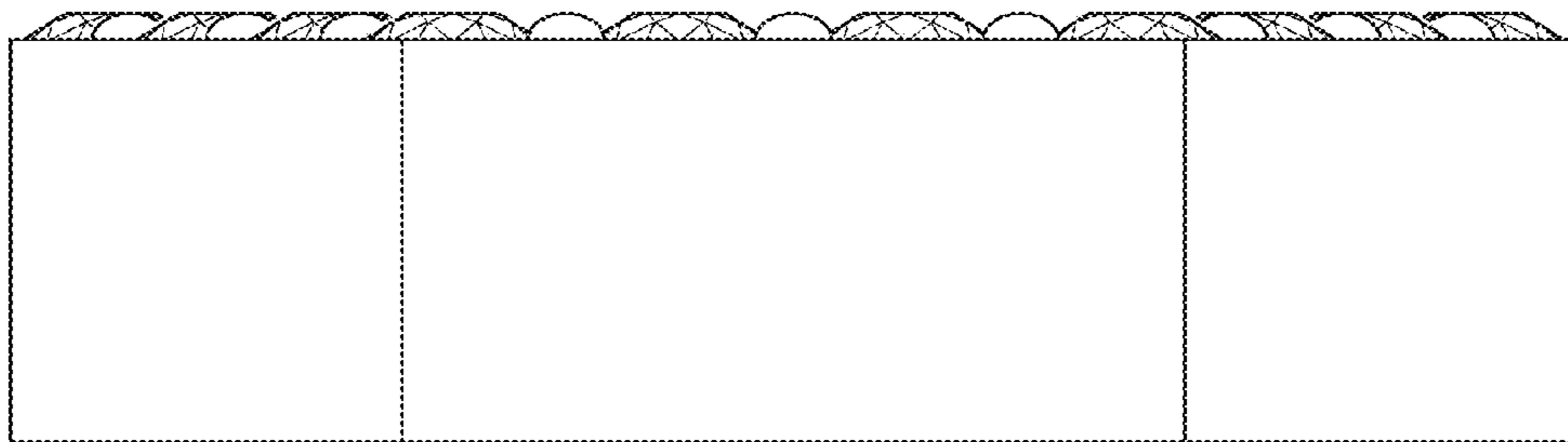


FIG. 3

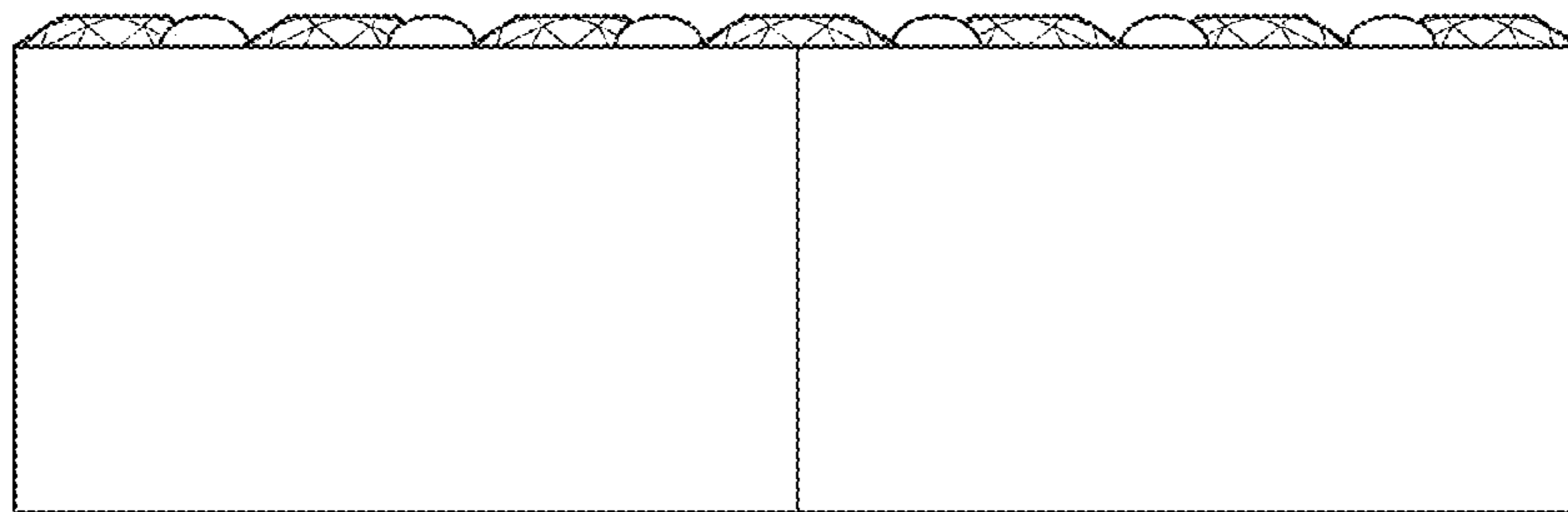


FIG. 4

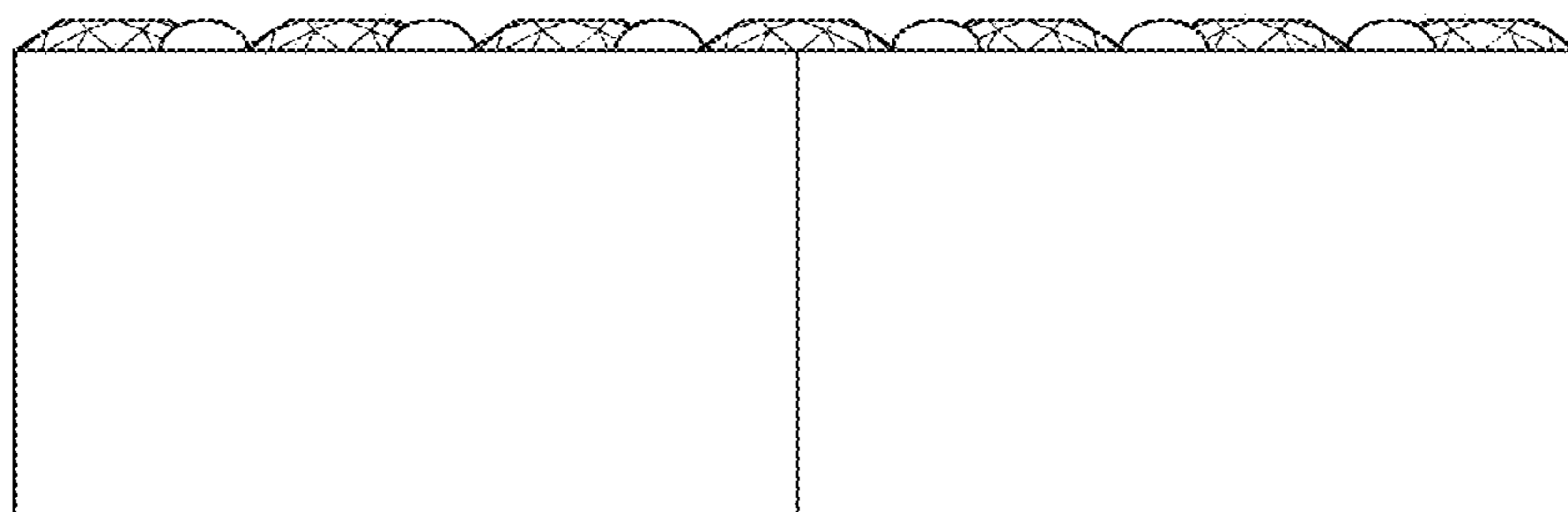


FIG. 5

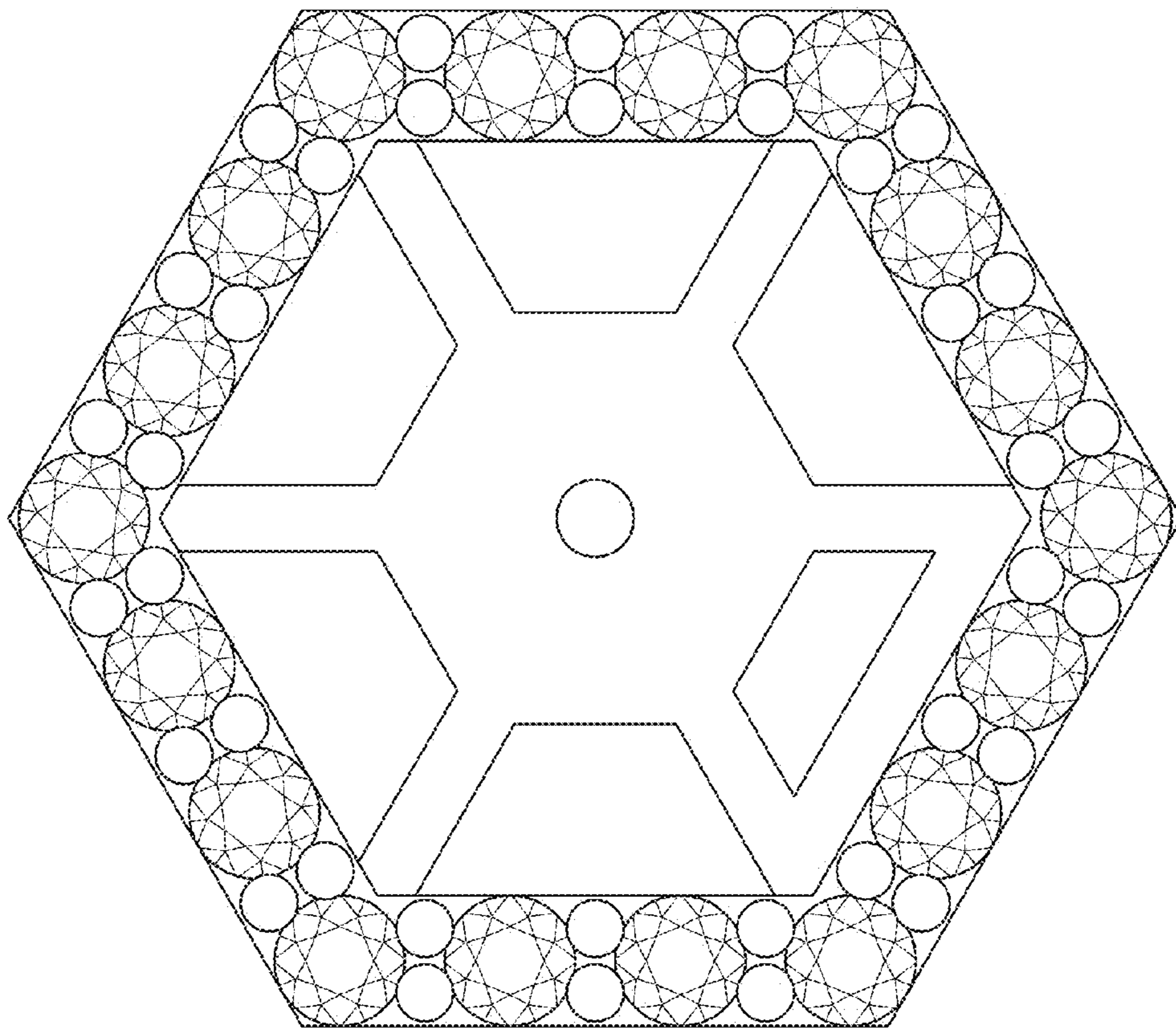


FIG. 6

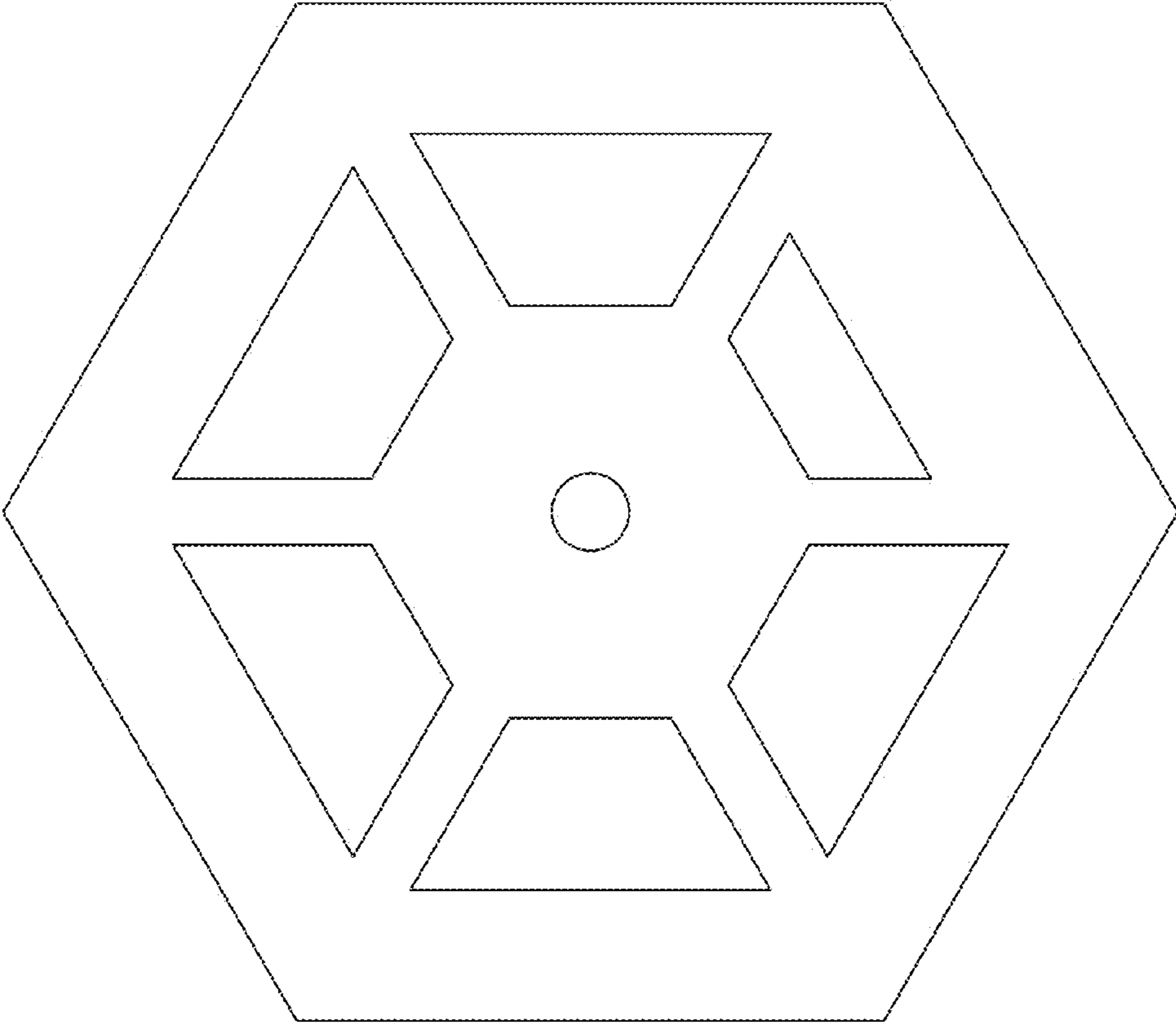


FIG. 7