

US00D726572S

(12) **United States Design Patent**  
**Walters et al.**

(10) **Patent No.:** **US D726,572 S**  
(45) **Date of Patent:** **\*\* Apr. 14, 2015**

(54) **BRACELET**

(71) Applicant: **MEMI LLC**, Atlanta, GA (US)

(72) Inventors: **Richard S. Walters**, Port Washington, WI (US); **Kishen Gohil**, Greenfield, WI (US)

(73) Assignee: **MEMI LLC**, Atlanta, GA (US)

(\*\*) Term: **14 Years**

(21) Appl. No.: **29/484,271**

(22) Filed: **Mar. 7, 2014**

(51) **LOC (10) Cl.** ..... **11-01**

(52) **U.S. Cl.**  
USPC ..... **D11/3; D14/344**

(58) **Field of Classification Search**  
USPC ..... D11/1–29, 200, 206, 214, 215; 63/1.11, 63/1.13–1.17, 3, 3.1, 3.2, 5.1, 6, 7, 12, 15, 63/15.1–15.3, 15.45, 15.5, 40–42, 45; D14/344; D24/186; D10/30–32; D7/633

See application file for complete search history.

(56) **References Cited**

**U.S. PATENT DOCUMENTS**

RE4,253 E *	2/1871	Codding, Jr.	63/3
120,535 A *	10/1871	Ranger	63/7
128,447 A *	6/1872	Yeiser	63/7
134,735 A *	1/1873	Cornell	63/7
245,990 A *	8/1881	Ball	63/7
3,790,775 A *	2/1974	Rosenblatt	63/7
5,431,028 A *	7/1995	Lampert et al.	63/33
D392,585 S *	3/1998	Kohl	D11/26
D405,381 S *	2/1999	Perrin et al.	D11/4
D413,531 S *	9/1999	Philippe	D10/32
6,032,485 A *	3/2000	Steinberg	63/15

D449,556 S *	10/2001	Pasquetti	D11/26
D515,450 S *	2/2006	Schiesl-Griesinger	D11/4
7,107,789 B1 *	9/2006	Bruner	63/15.7
D560,134 S *	1/2008	Chen	D11/4
D586,331 S *	2/2009	Franz et al.	D14/218
D630,121 S *	1/2011	Roysky	D11/3
D684,082 S *	6/2013	Alvarez et al.	D11/3
D716,458 S *	10/2014	Snyder et al.	D24/186

**OTHER PUBLICATIONS**

MEMI: Wearable Technology Made by Women for Women, earliest date available Oct. 29, 2013, online. Site visited: Nov. 24, 2014. Internet URL:<“https://www.kickstarter.com/projects/1089105396/memi-wearable-technology-made-by-women-for-women”>.\*  
MEMI product homepage, published Oct. 31, 2013, online. Site visited: Nov. 24, 2014. Internet URL:<“http://hellomemi.com/”>.\*

\* cited by examiner

*Primary Examiner* — Garth Rademaker

*Assistant Examiner* — Llorellys Martinez-Rivera

(74) *Attorney, Agent, or Firm* — The Webb Law Firm

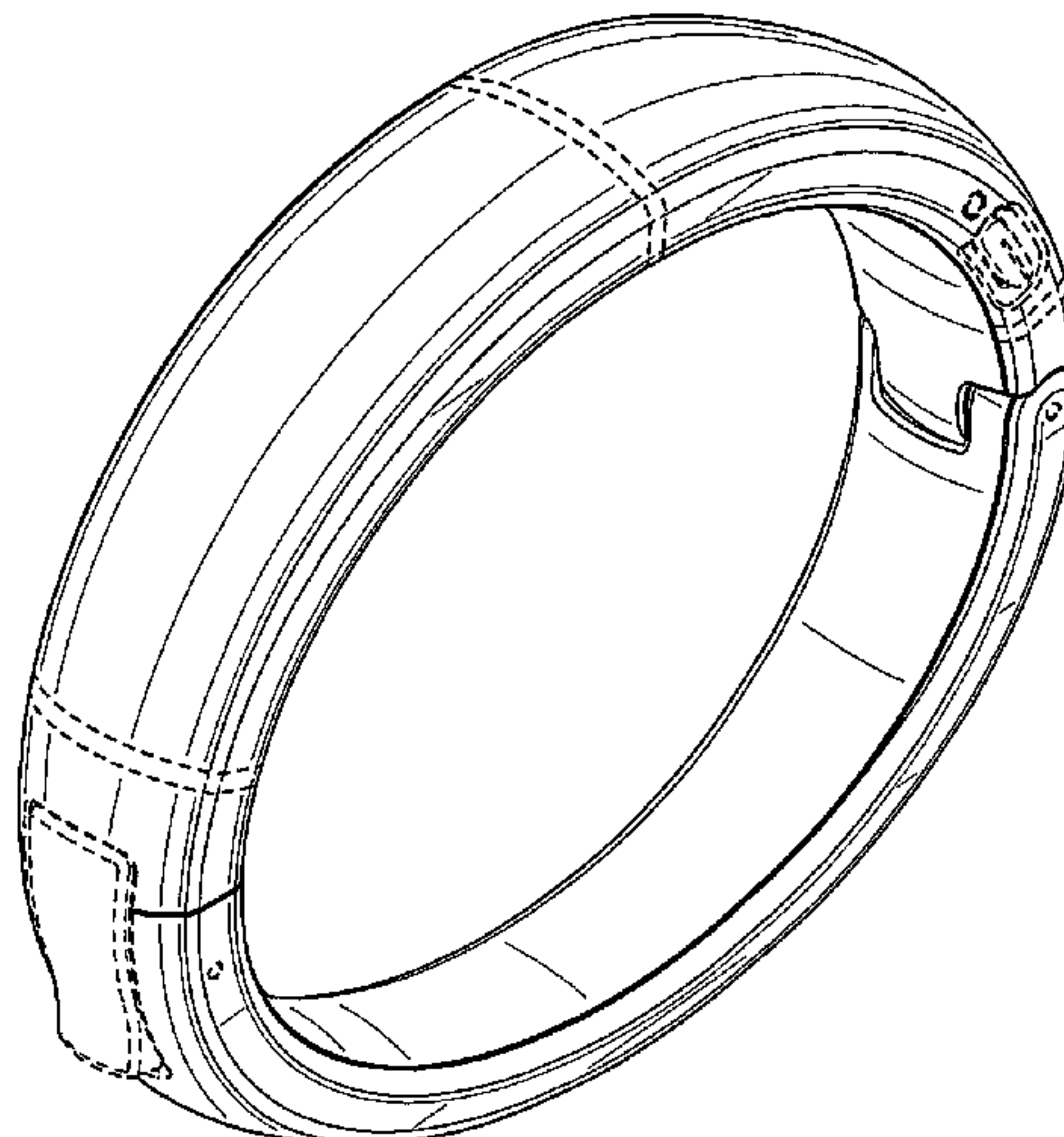
(57) **CLAIM**

The ornamental design for a bracelet, as shown and described.

**DESCRIPTION**

FIG. 1 is a left side perspective view of a bracelet showing the present invention;  
FIG. 2 is a left side view thereof;  
FIG. 3 is a right side view thereof;  
FIG. 4 is a rear view thereof;  
FIG. 5 is a front view thereof;  
FIG. 6 is a top plan view thereof;  
FIG. 7 is a bottom plan view thereof; and,  
FIG. 8 is a right side perspective view thereof.  
The broken lines in the drawings illustrate portions of the bracelet that form no part of the claimed design.

**1 Claim, 6 Drawing Sheets**



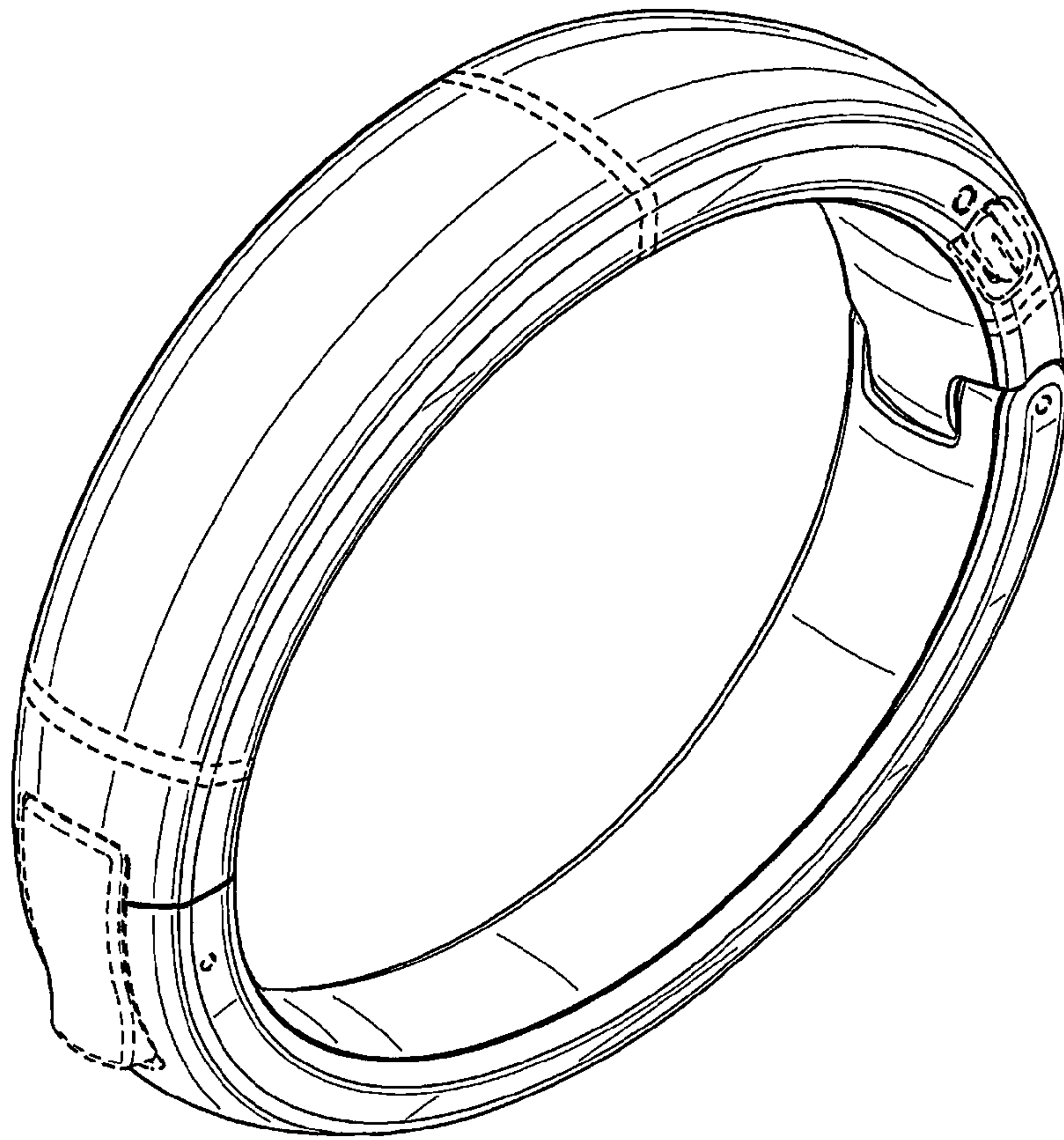


FIG. 1

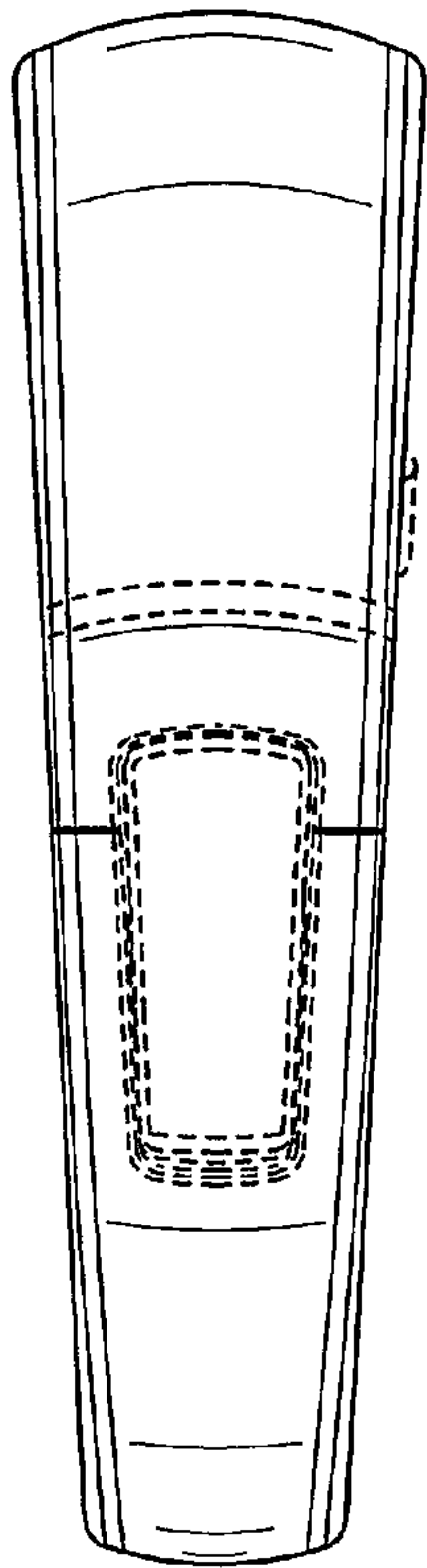


FIG. 2

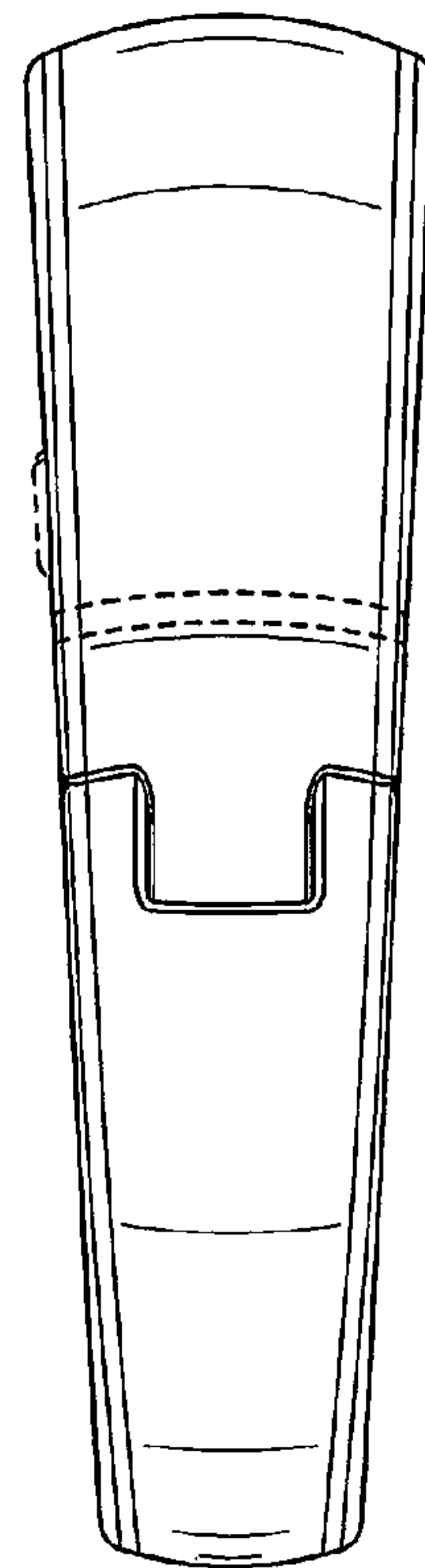


FIG. 3

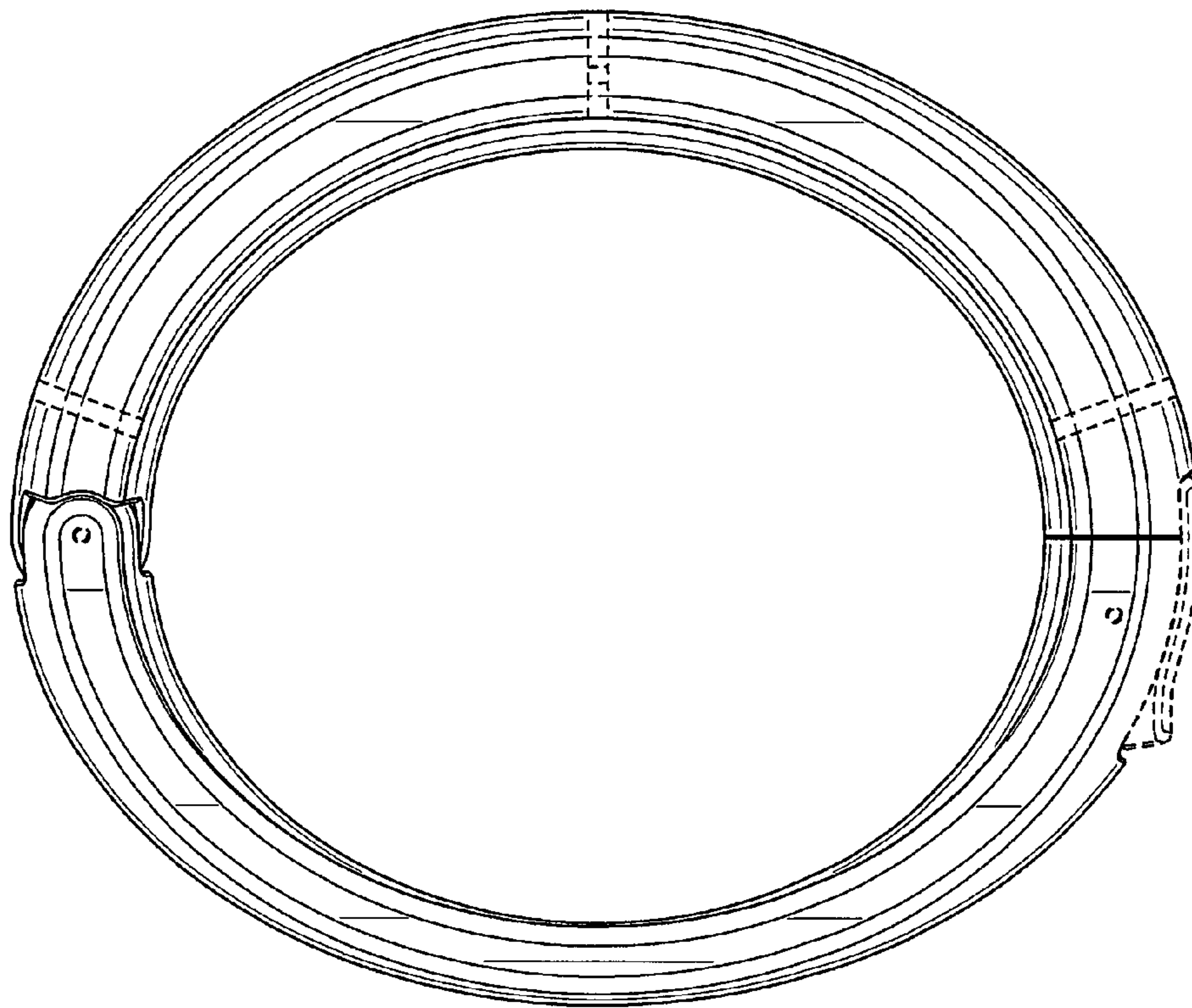


FIG. 4



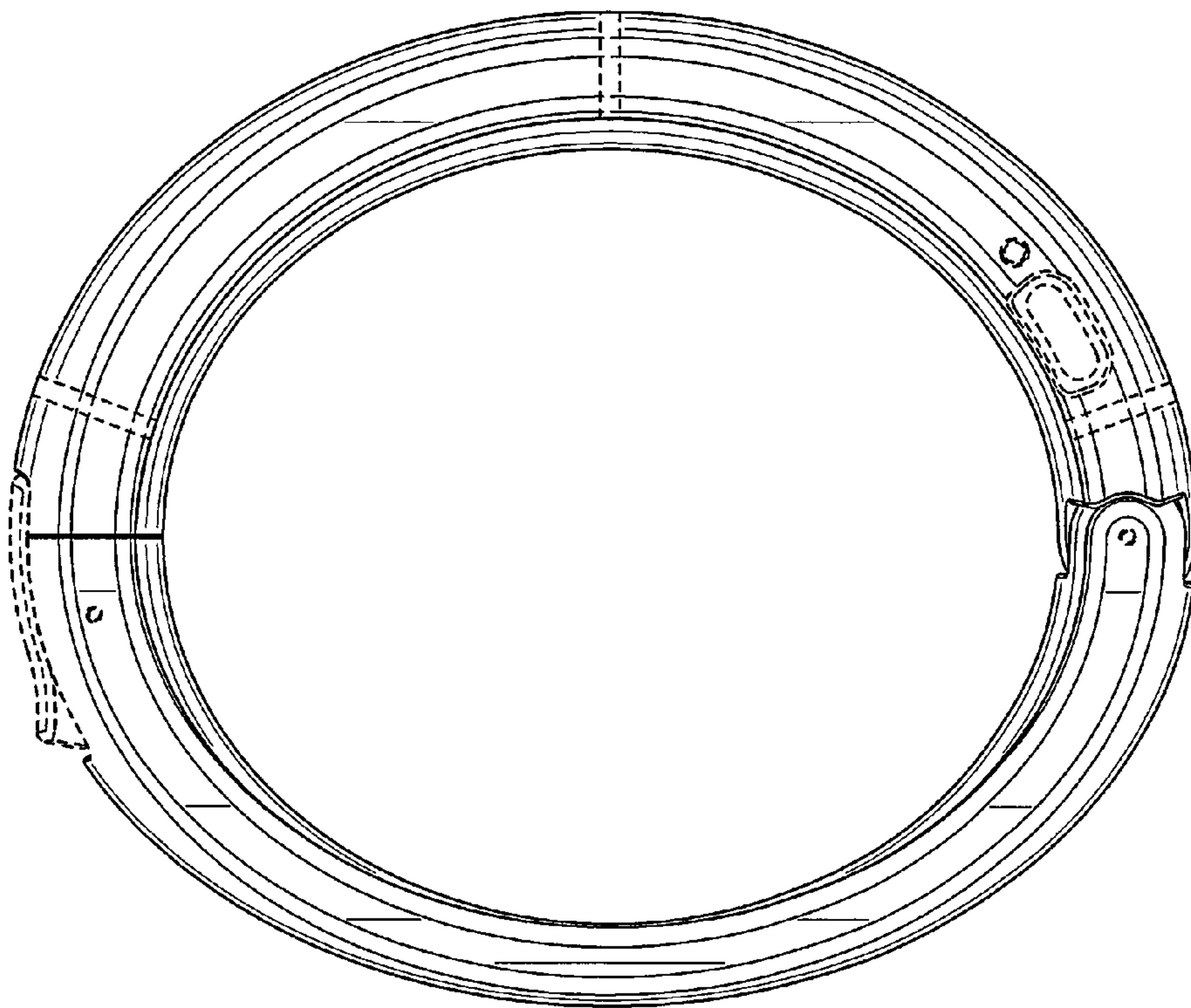


FIG. 5

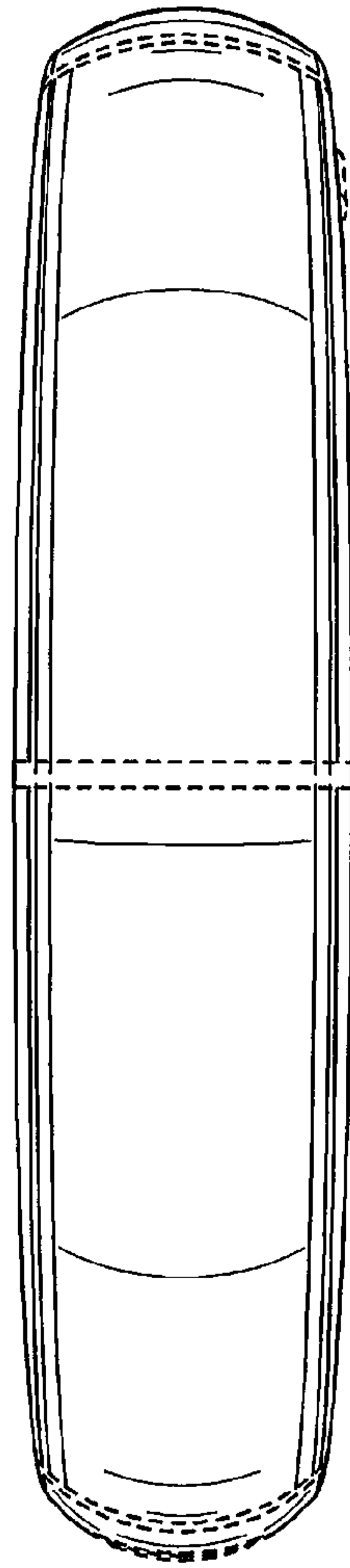


FIG. 6

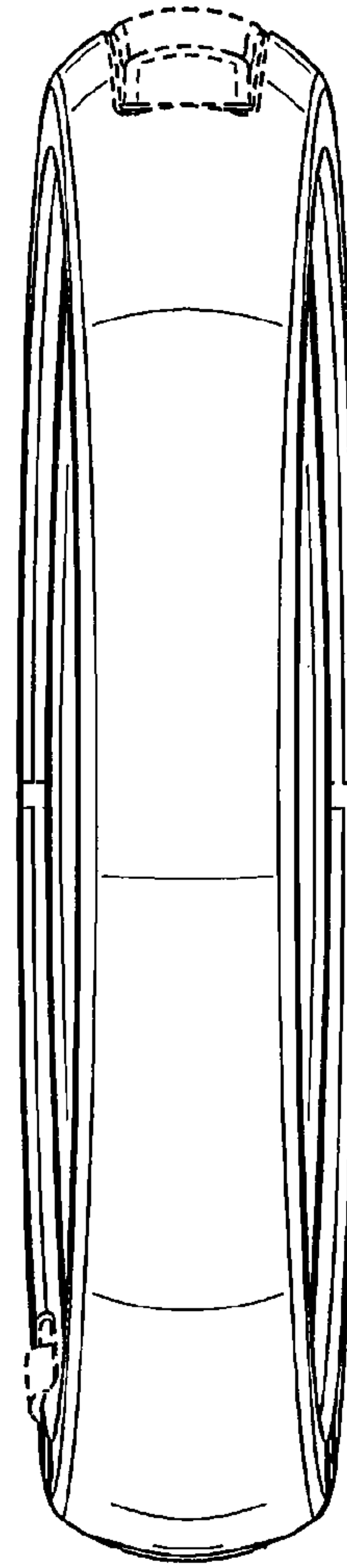


FIG. 7

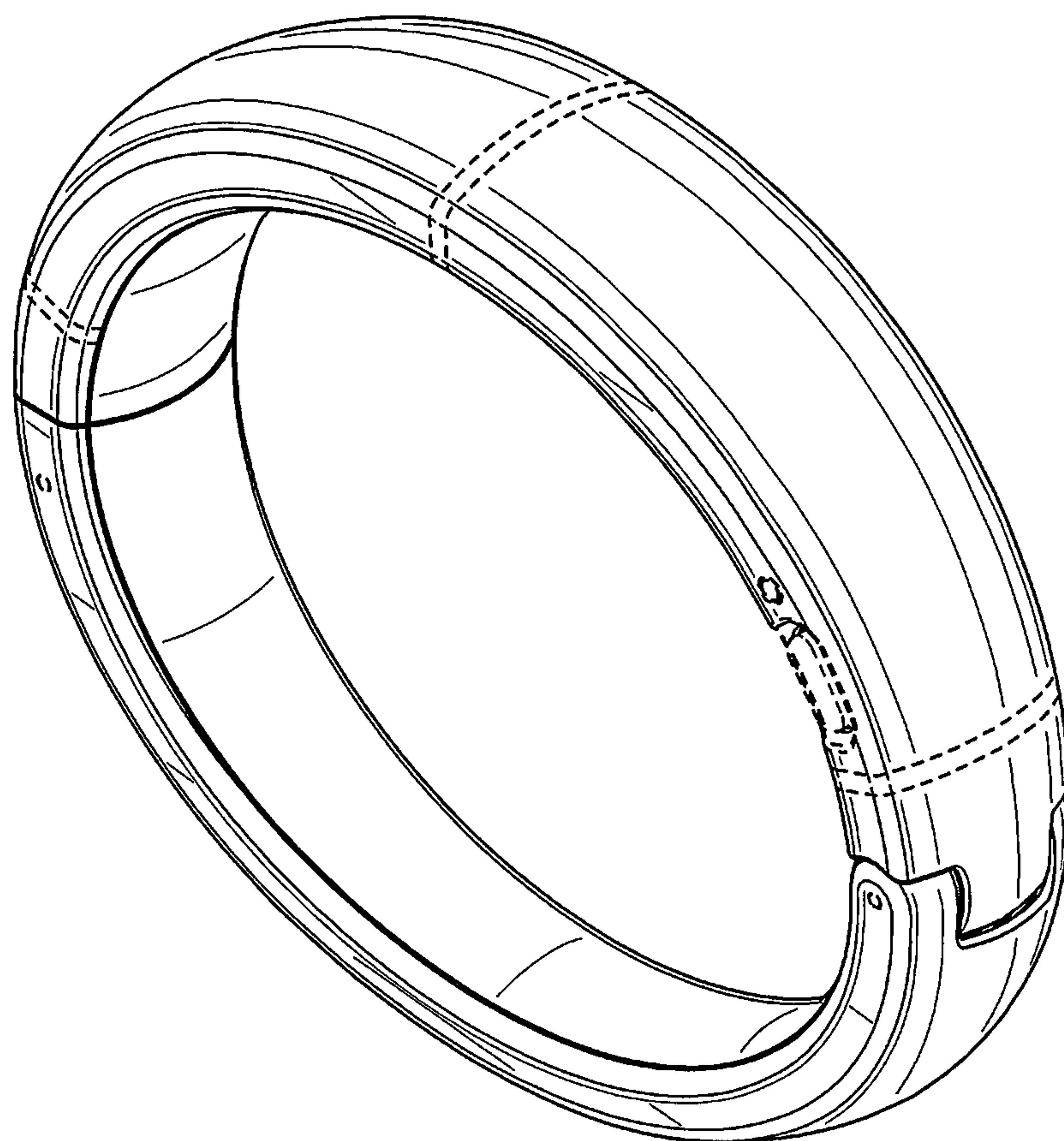


FIG. 8