

US00D726571S

(12) **United States Design Patent**
Kovach et al.

(10) **Patent No.:** **US D726,571 S**
(45) **Date of Patent:** **** Apr. 14, 2015**

(54) **STRAP**

(71) Applicant: **Under Armour, Inc.**, Baltimore, MD (US)
(72) Inventors: **F. Grant Kovach**, Baltimore, MD (US);
Mark A. Oleson, Baltimore, MD (US);
Samuel J. Hollenbach, Baltimore, MD (US);
Kevin P. Fallon, Baltimore, MD (US);
Angela Ferg, Baltimore, MD (US)

(73) Assignee: **Under Armour, Inc.**, Baltimore, MD (US)

(**) Term: **14 Years**

(21) Appl. No.: **29/445,620**

(22) Filed: **Feb. 14, 2013**

(51) **LOC (10) Cl.** **11-01**

(52) **U.S. Cl.**
USPC **D11/3**

(58) **Field of Classification Search**
USPC D11/1-29; D10/30-32; D2/610-623,
D2/853, 858; D24/188-190, 206;
D30/144, 151, 153; 368/276-278,
368/281-283; 63/1.11, 3, 3.1, 3.2, 5.1, 5.2,
63/7, 11, 15, 15.1-15.4, 15.45, 15.5, 15.6,
63/15.65, 15.7, 21; 2/16, 22, 59, 125, 126,
2/170-172; D14/203.3, 203.5, 344

See application file for complete search history.

(56) **References Cited**

U.S. PATENT DOCUMENTS

2,472,351 A * 6/1949 Tyler 368/282
D243,318 S * 2/1977 Kurihara D10/32
4,155,219 A * 5/1979 Anderson 368/282
4,916,679 A * 4/1990 Agnello 368/283

D440,163 S * 4/2001 Callis D10/31
D512,921 S * 12/2005 Wilson D10/32
D519,396 S * 4/2006 Migliorati D11/4
D519,637 S * 4/2006 Nordt et al. D24/190
D550,112 S * 9/2007 Andren et al. D11/3
D553,536 S * 10/2007 Andren et al. D11/3
D566,580 S * 4/2008 Giorgio D10/32
D612,269 S * 3/2010 Leung D10/32
D639,690 S * 6/2011 Zhu D11/3

(Continued)

OTHER PUBLICATIONS

Under Armour Armour39 Review: Beast Mode Unlocked, published May 16, 2013, online. Site visited Jun. 13, 2014. Internet URL:<http://gizmodo.com/under-armour-armour39-review-beast-mode-unlocked-506284006>.*

Primary Examiner — Garth Rademaker

Assistant Examiner — Llorellys Martinez-Rivera

(74) *Attorney, Agent, or Firm* — Amol Purohit

(57) **CLAIM**

The ornamental design for a strap, as shown and described.

DESCRIPTION

FIG. 1 is a perspective view of a strap according to the present invention;

FIG. 2 is a front view of the strap of FIG. 1;

FIG. 3 is a rear view of the strap of FIG. 1;

FIG. 4 is a top view of the strap of FIG. 1;

FIG. 5 is a bottom view of the strap of FIG. 1;

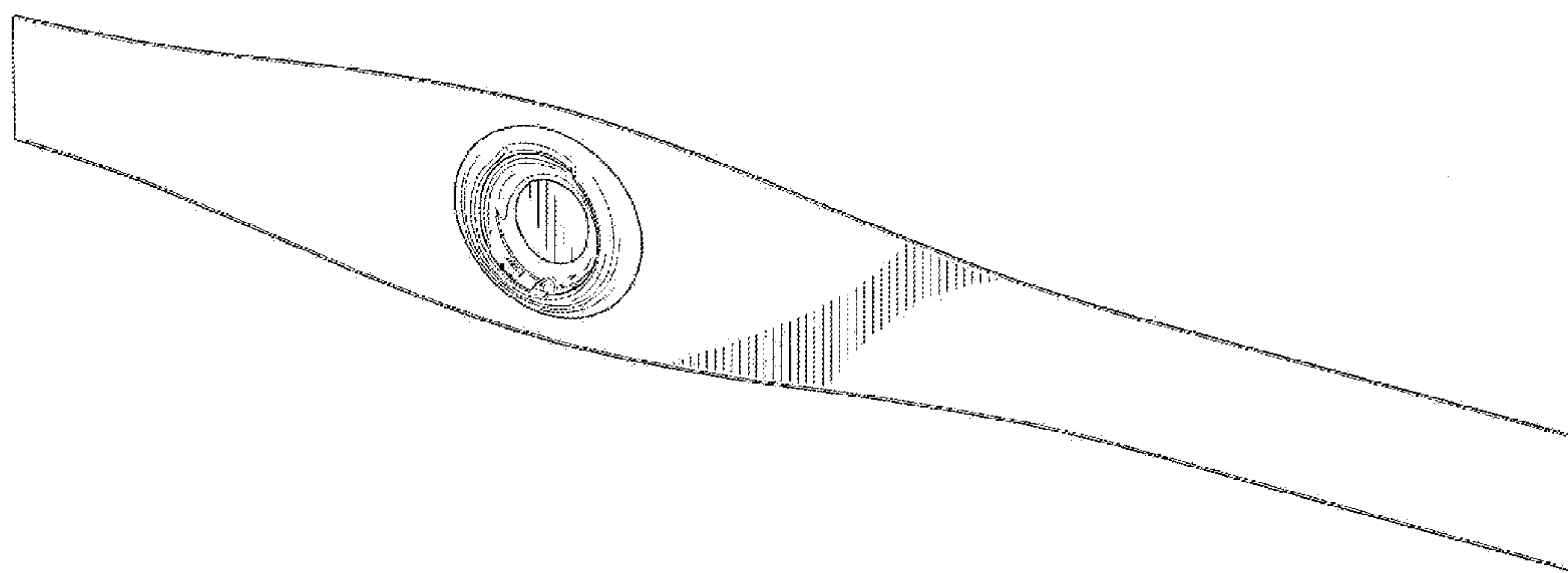
FIG. 6 is a left side view of the strap of FIG. 1;

FIG. 7 is a right side view of the strap of FIG. 1; and,

FIG. 8 is a front perspective view of the strap of FIG. 1.

The broken lines in the figures merely illustrate the environment for the strap of the present design and therefore form no part of the claimed design.

1 Claim, 5 Drawing Sheets



(56)

References Cited

U.S. PATENT DOCUMENTS

8,475,035 B1 * 7/2013 Harrington 368/277
D687,736 S * 8/2013 Wycoff D11/3
D694,662 S * 12/2013 Buckley D11/3

D698,689 S * 2/2014 Boyd D11/4
2008/0002528 A1 * 1/2008 Andren et al. 368/282
2009/0086579 A1 * 4/2009 Clark 368/278
2012/0087216 A1 * 4/2012 Keung et al. 368/282

* cited by examiner

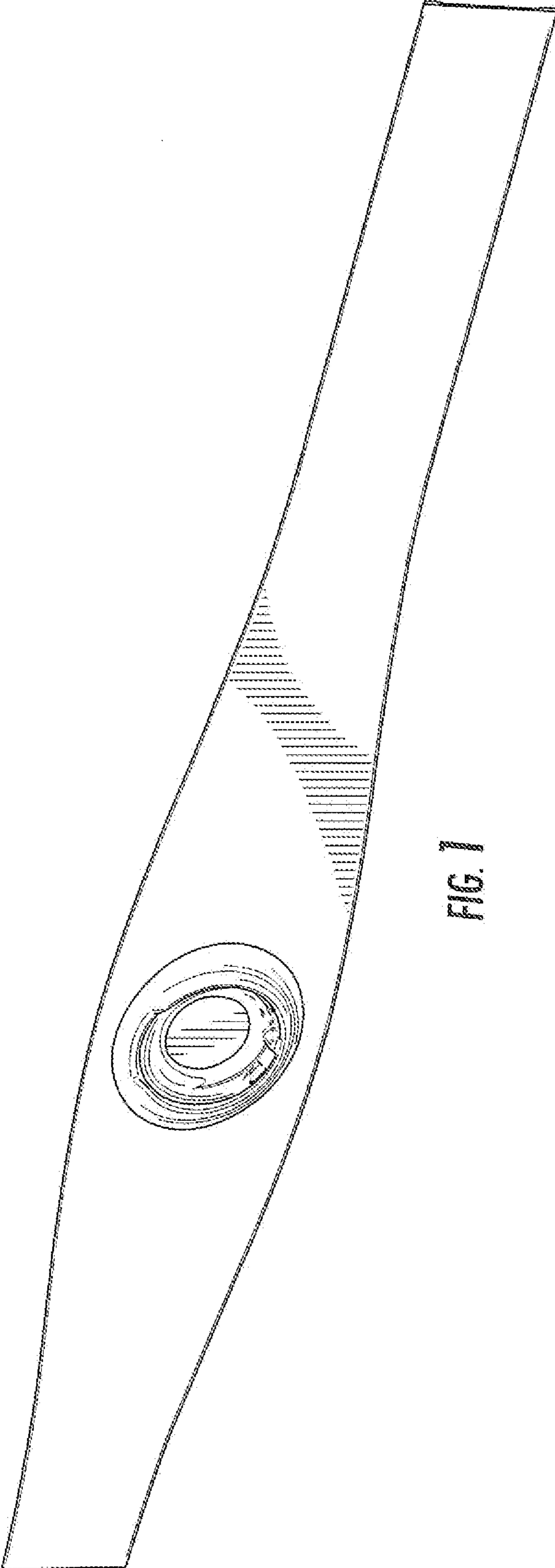


FIG. 1

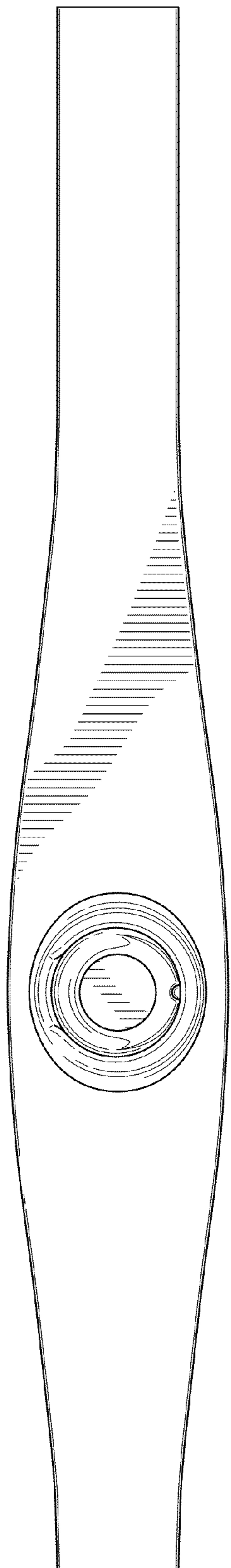


FIG. 2

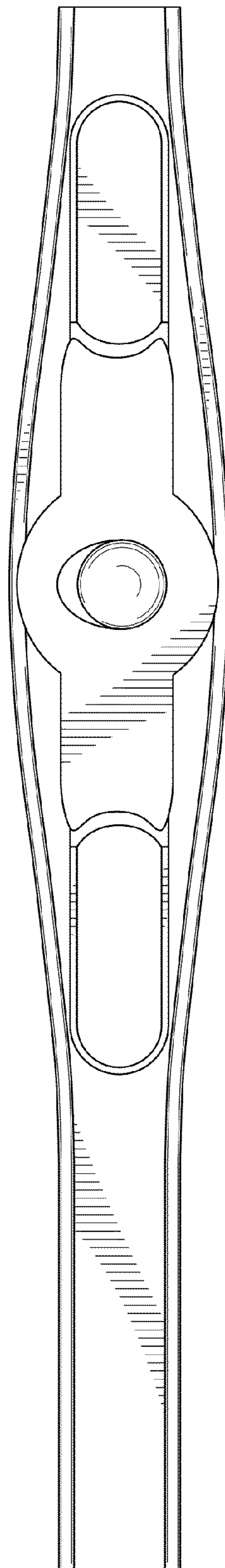


FIG. 3



FIG. 4



FIG. 5

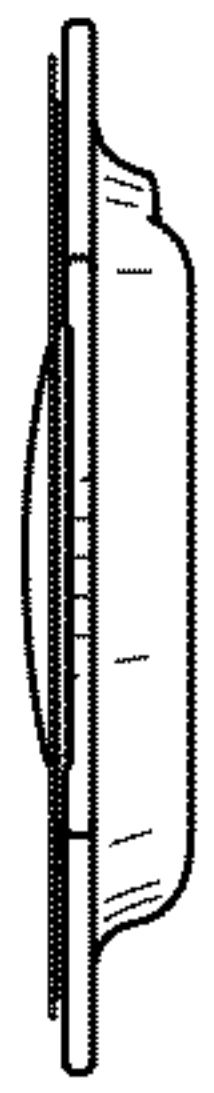


FIG. 6



FIG. 7

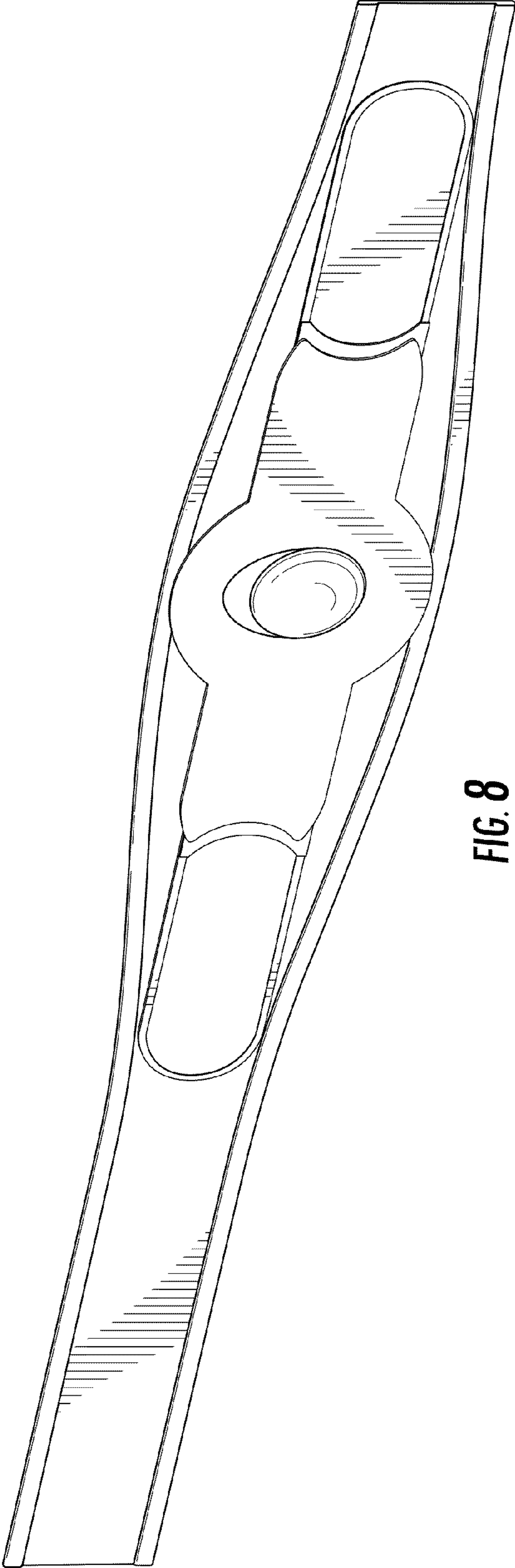


FIG. 8