



US00D726568S

(12) **United States Design Patent**
Ogihara et al.

(10) **Patent No.:** **US D726,568 S**

(45) **Date of Patent:** **** Apr. 14, 2015**

(54) **ACTIVITY MONITOR WITH SLEEP STATE MEASURING FUNCTION**

(71) Applicant: **Omron Healthcare Co., Ltd.**, Kyoto (JP)

(72) Inventors: **Tsuyoshi Ogihara**, Kyoto (JP); **Shusuke Eshita**, Kyoto (JP)

(73) Assignee: **Omron Healthcare Co., Ltd.**, Kyoto (JP)

(**) Term: **14 Years**

(21) Appl. No.: **29/492,676**

(22) Filed: **Jun. 2, 2014**

(30) **Foreign Application Priority Data**

Dec. 4, 2013 (JP) 2013-028430

(51) **LOC (10) Cl.** **10-04**

(52) **U.S. Cl.**
USPC **D10/103**

(58) **Field of Classification Search**
CPC G08G 1/096883; G08G 1/096872;
G08G 1/096775; G01C 21/16; G01C 21/3688;
G01C 21/30; G01V 8/20; G01J 5/02; G01J
5/023; G01J 5/24; G01J 5/10; G01J 5/20;
G01J 5/0235; G01J 5/08; G01J 5/0853;
G01J 5/33; G01J 5/34
USPC D10/70, 78, 103
See application file for complete search history.

(56) **References Cited**

U.S. PATENT DOCUMENTS

- D299,718 S * 2/1989 Steer et al. D14/247
- D305,422 S * 1/1990 Steer et al. D14/247
- D331,020 S * 11/1992 Ishii et al. D10/31
- D455,093 S * 4/2002 Fitzgerald D10/98
- D528,439 S * 9/2006 Burton D10/32
- D528,928 S * 9/2006 Burton D10/38
- D536,265 S * 2/2007 Reynoso D10/31
- D538,687 S * 3/2007 Komulainen D10/70

- D549,602 S * 8/2007 Oberrieder et al. D10/65
- D550,105 S * 9/2007 Oberrieder et al. D10/65
- D560,520 S * 1/2008 Oberrieder et al. D10/65
- D569,282 S * 5/2008 Daniel D10/65
- D573,905 S * 7/2008 Poirier D10/65
- D610,476 S * 2/2010 Daniel D10/65
- D645,360 S * 9/2011 Kiser et al. D10/32
- D670,583 S * 11/2012 Shaanan D10/70
- D672,667 S * 12/2012 Mix D10/65
- D718,647 S * 12/2014 Roush et al. D10/98

OTHER PUBLICATIONS

Bodyfit Motion Activity Tracker/Sleep Monitor disclosed on Sports Authority, Inc. website at <http://www.sportsauthority.com/BODYFIT-Motion-Activity-Tracker-Sleep-Monitor/product.jsp>.
Moveband disclosed on docomo Healthcare, Inc. website at <http://www.d-healthcare.co.jp/products/moveband/>.

* cited by examiner

Primary Examiner — Antoine D Davis

(74) *Attorney, Agent, or Firm* — Capitol City TechLaw

(57) **CLAIM**

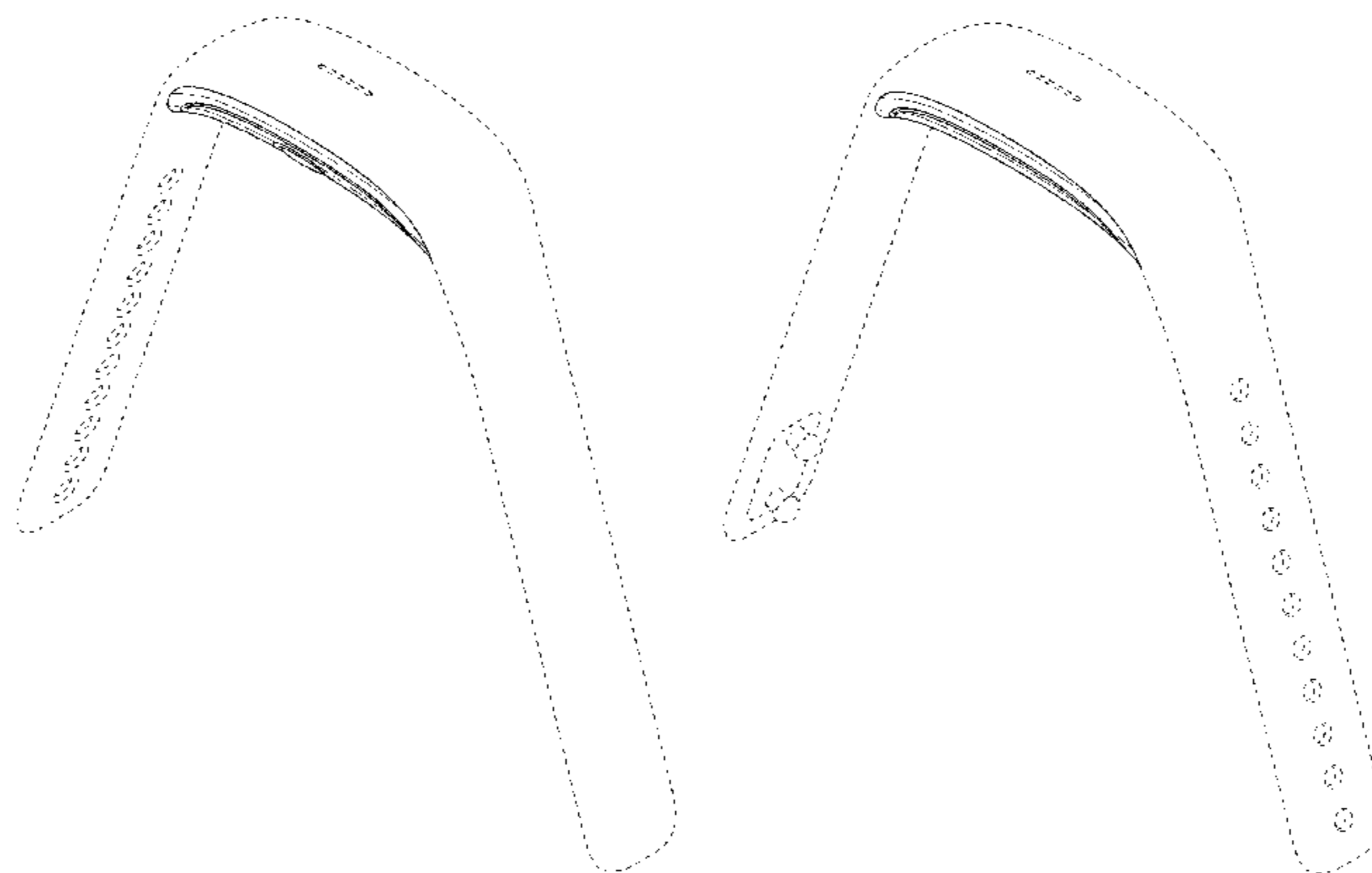
The ornamental design for an activity monitor with sleep state measuring function, as shown and described.

DESCRIPTION

FIG. 1 is a front, top, and right side perspective view of an activity monitor with sleep state measuring function showing our new design;
FIG. 2 is a rear, top, and left side perspective view thereof;
FIG. 3 is a front and bottom perspective view thereof;
FIG. 4 is a front view thereof;
FIG. 5 is a rear view thereof;
FIG. 6 is a top view thereof;
FIG. 7 is a bottom view thereof;
FIG. 8 is a right side view thereof; and,
FIG. 9 is a left side view thereof.

The broken lines shown in the figures are included for the purpose of illustrating portions of the activity monitor with sleep state measuring function that form no part of the claimed design.

1 Claim, 9 Drawing Sheets



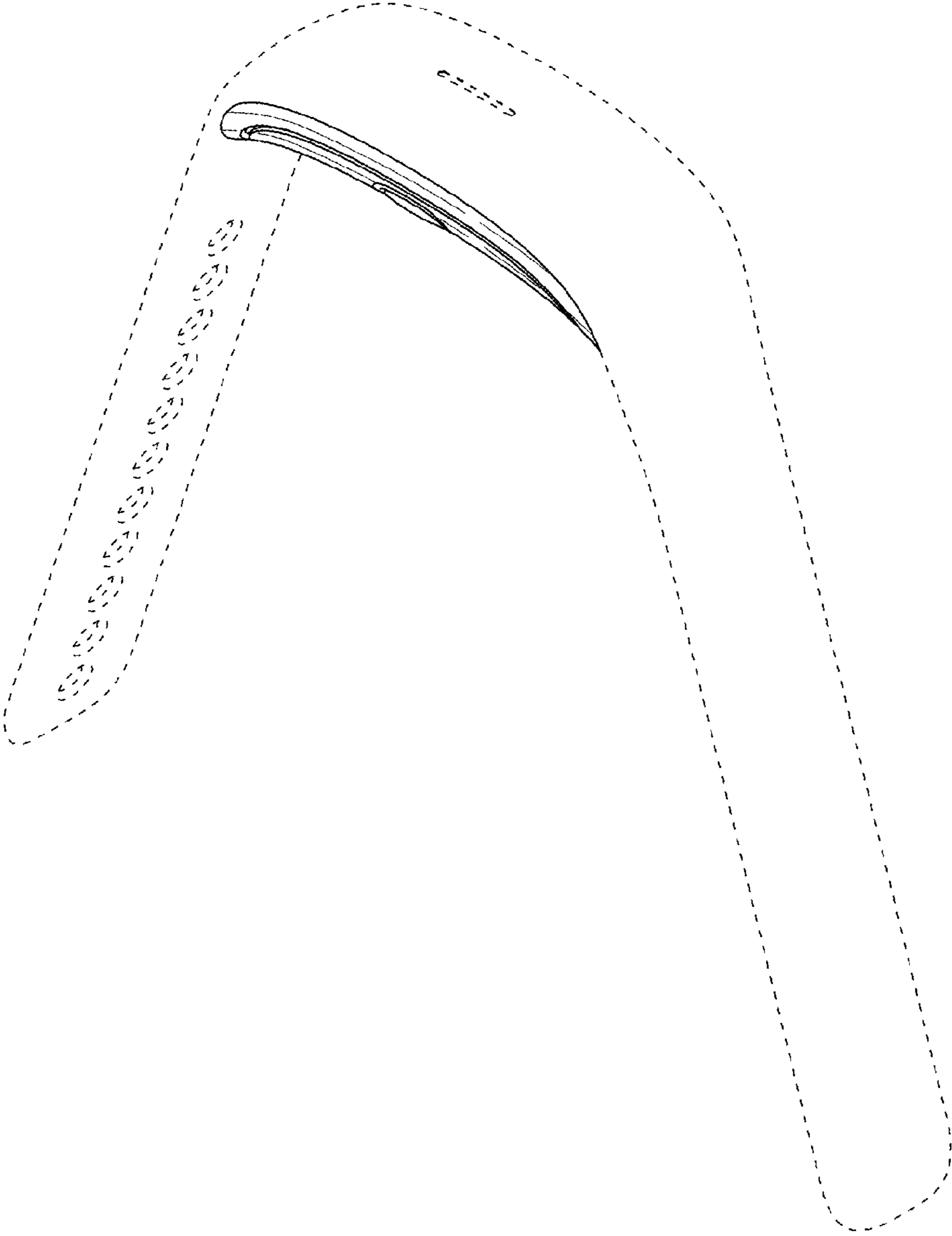


FIG.1

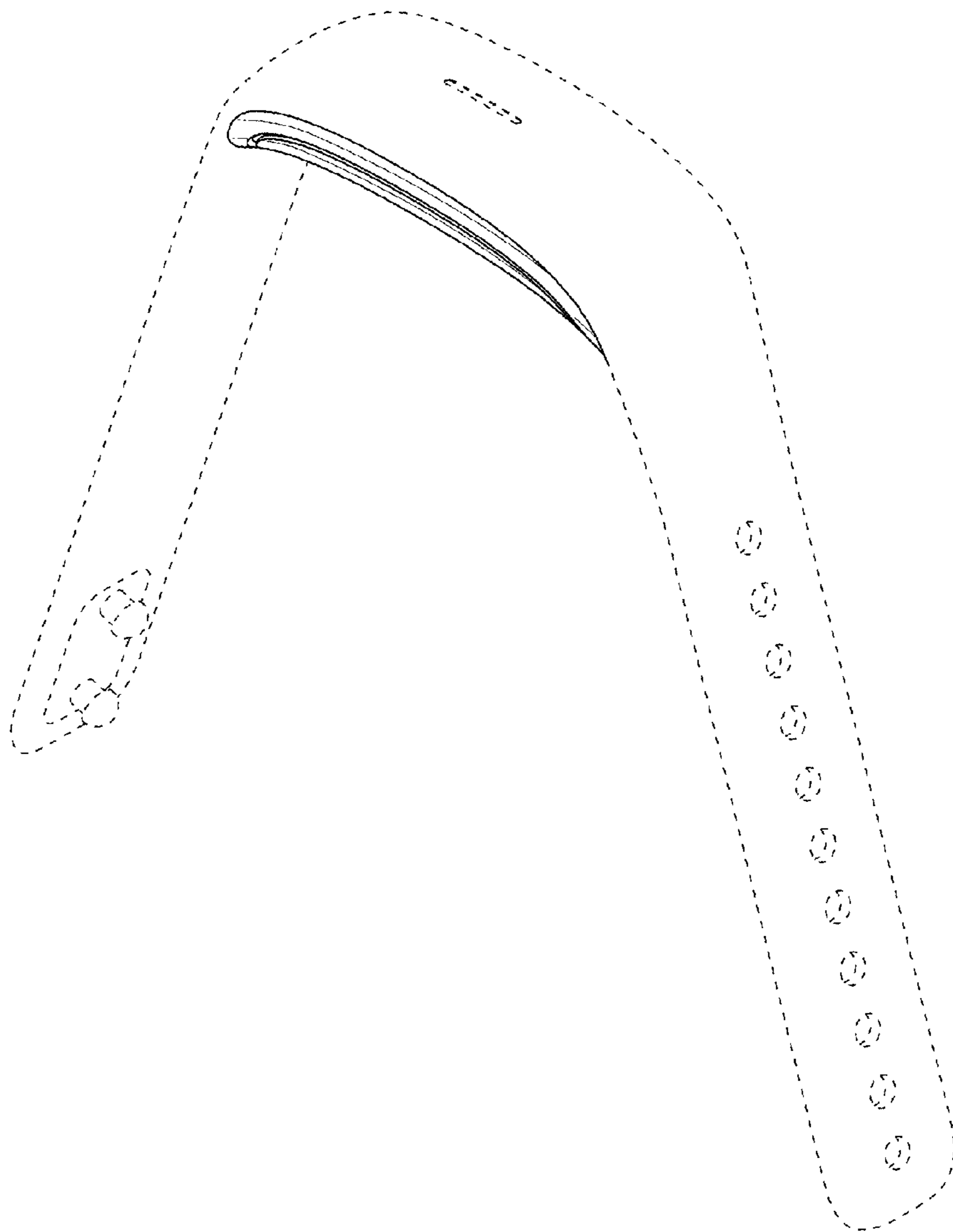


FIG.2

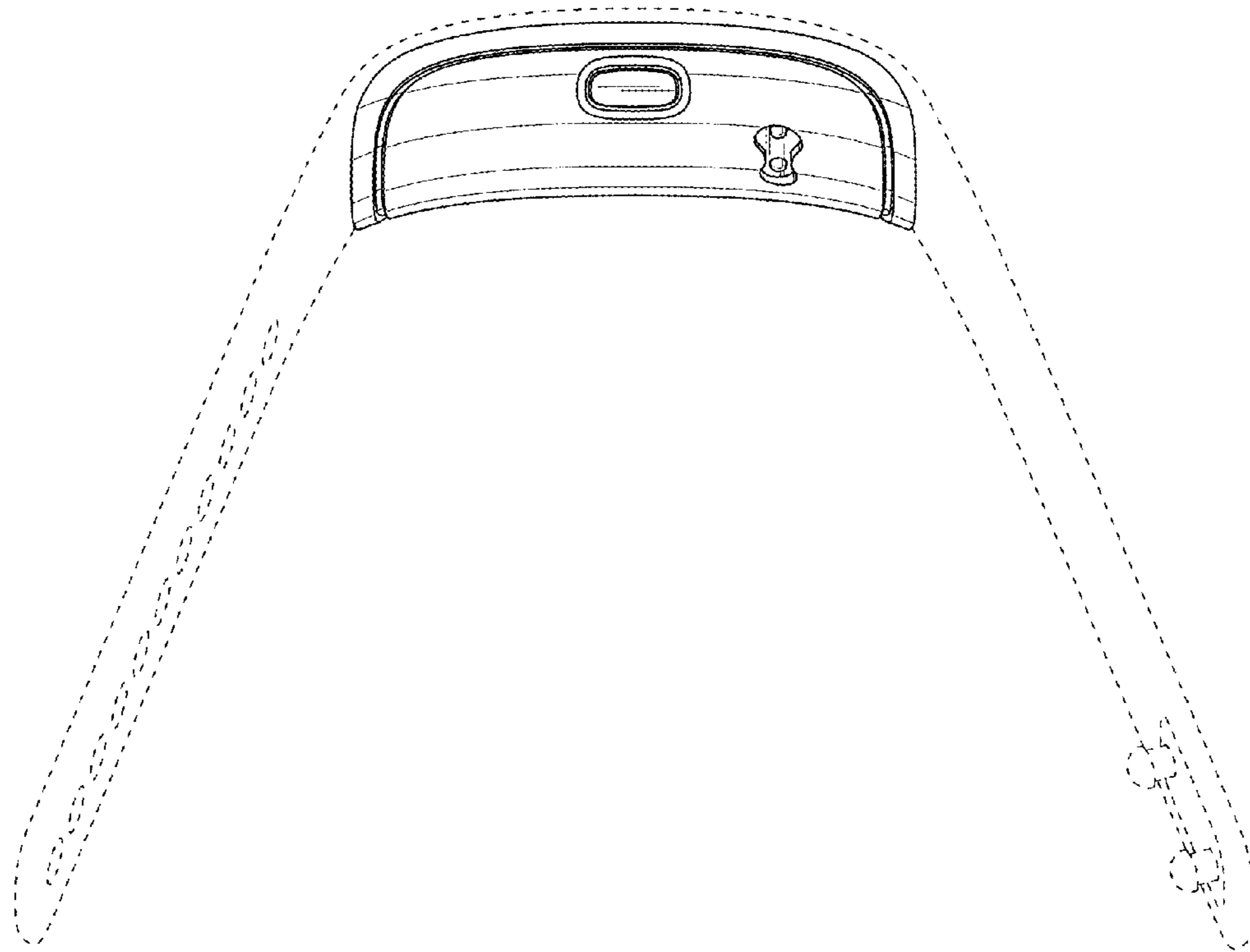


FIG.3

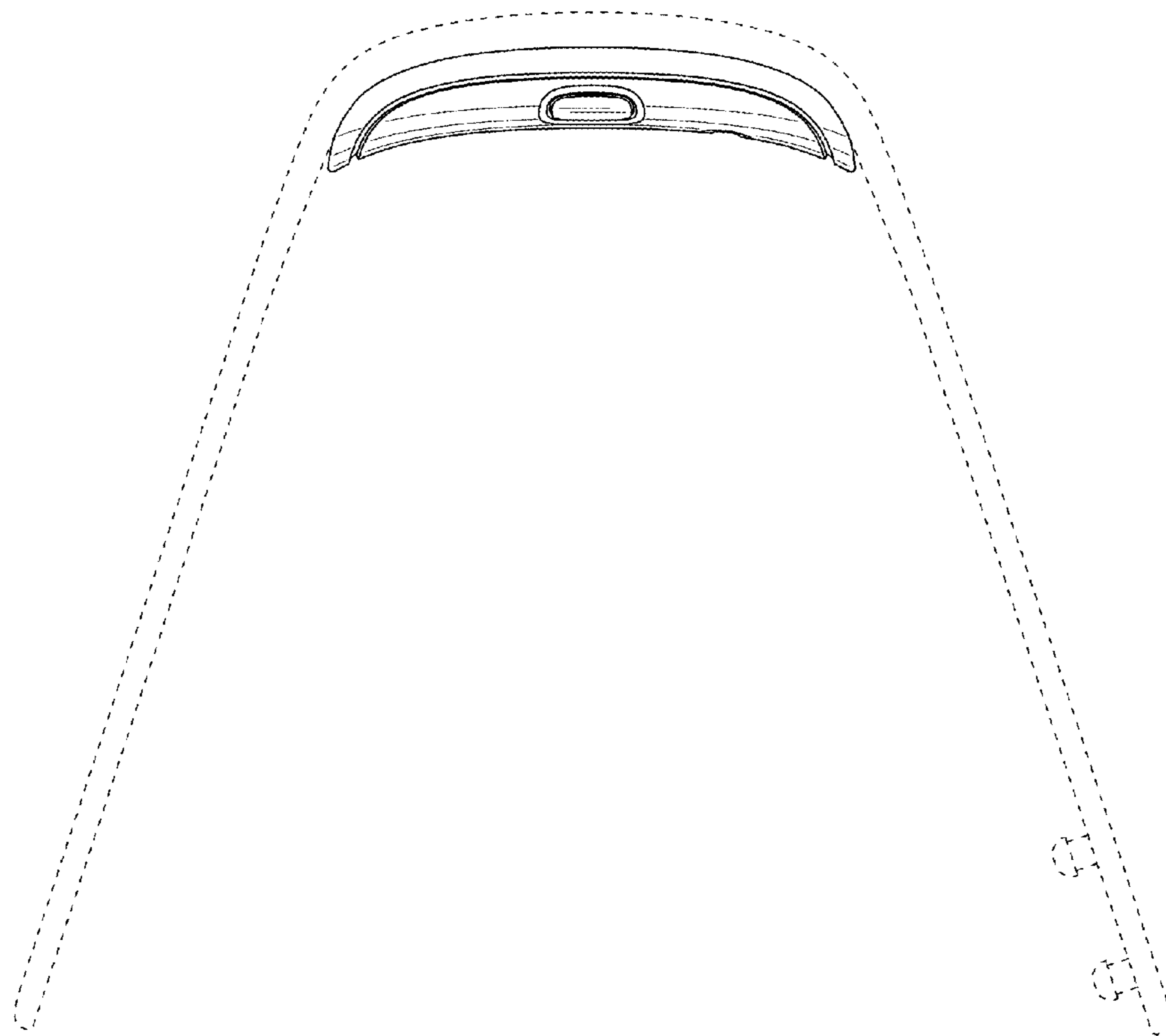


FIG.4

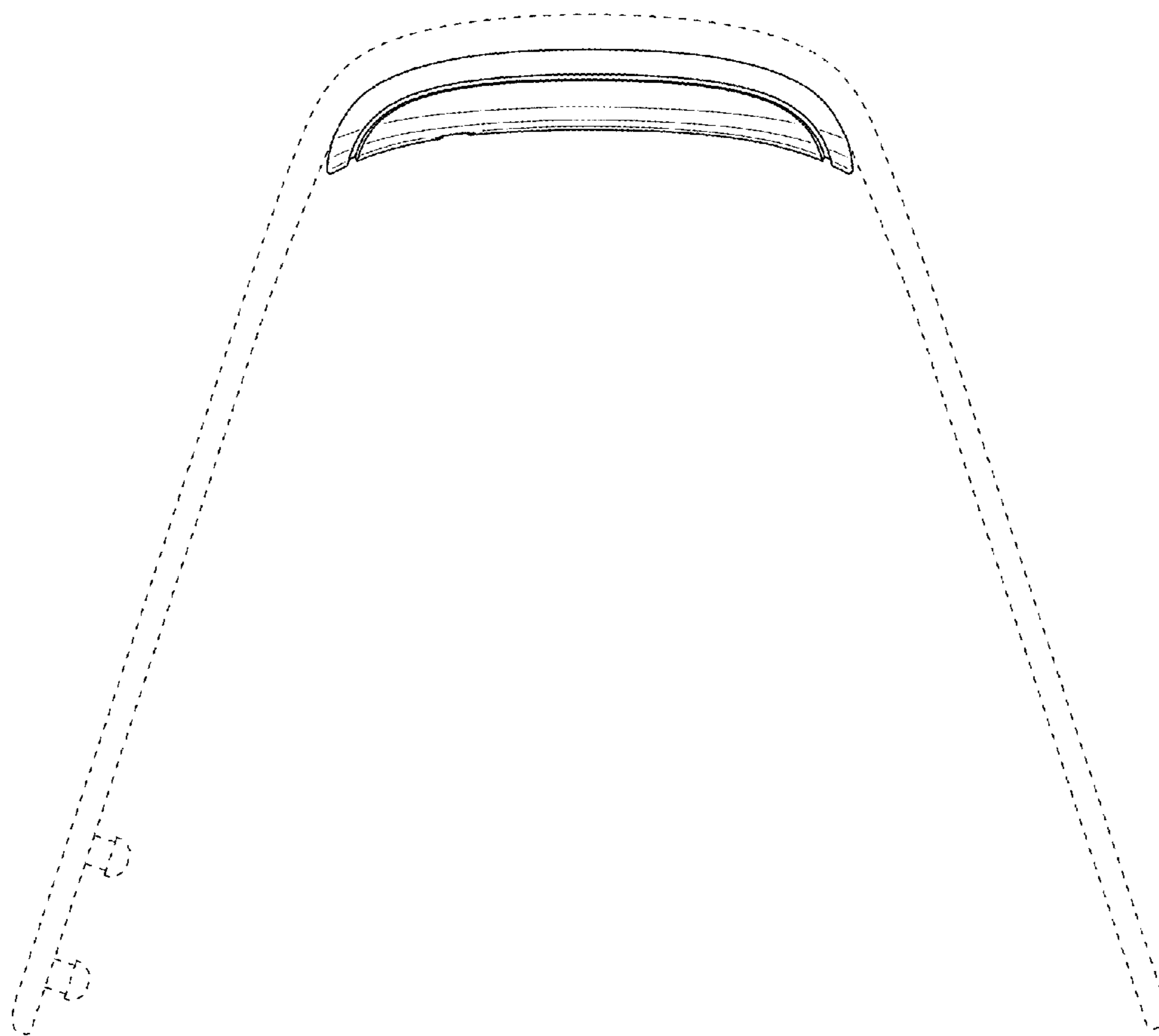


FIG.5

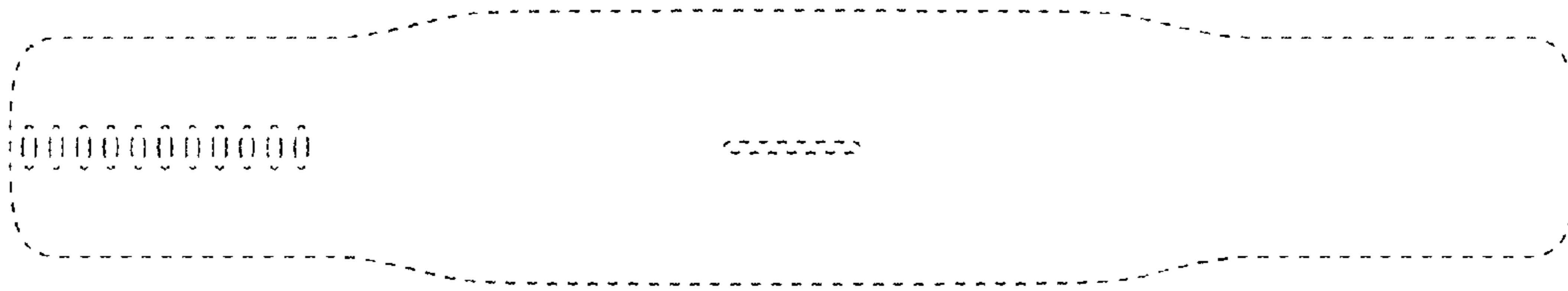


FIG.6

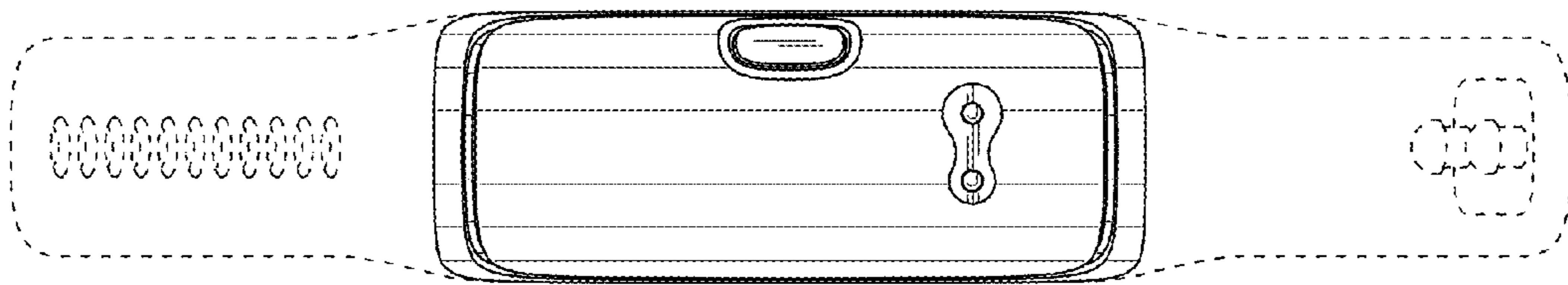


FIG. 7

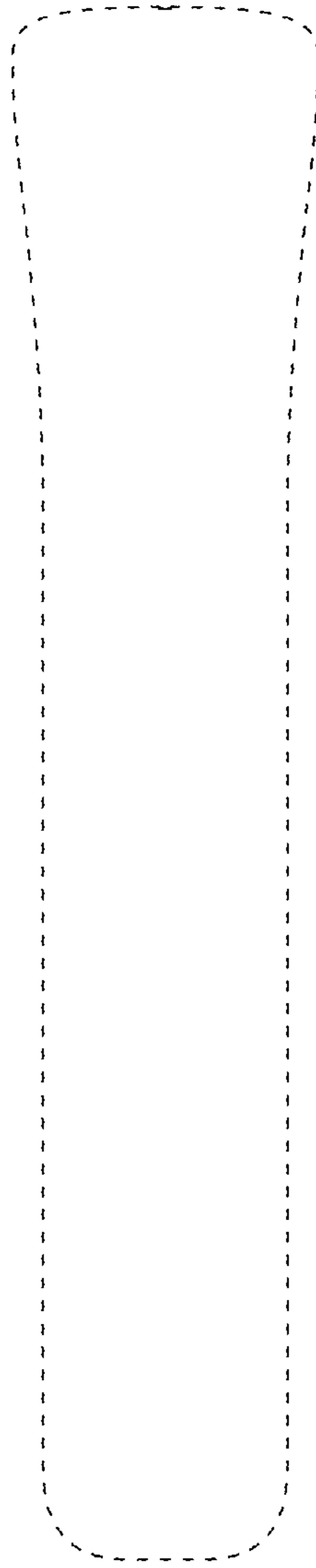


FIG.8

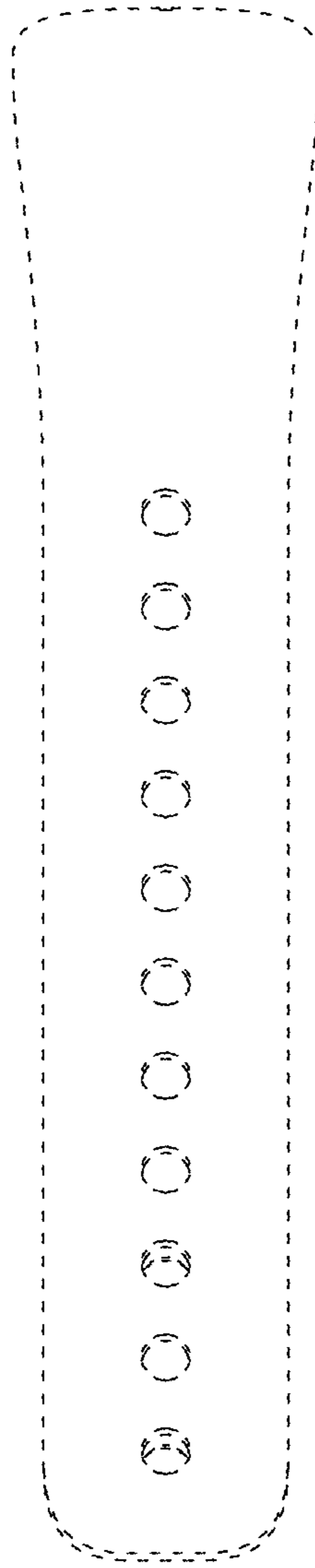


FIG.9