



US00D726564S

(12) **United States Design Patent**
Endo et al.

(10) **Patent No.:** **US D726,564 S**
(45) **Date of Patent:** **** Apr. 14, 2015**

(54) **DISPLAY MONITOR FOR VEHICLE**

(71) Applicant: **Alpine Electronics, Inc.**, Tokyo (JP)

(72) Inventors: **Hideki Endo**, Tokyo (JP); **Munetaka Ito**, Tokyo (JP)

(73) Assignee: **Alpine Electronics, Inc.**, Tokyo (JP)

(**) Term: **14 Years**

(21) Appl. No.: **29/508,874**

(22) Filed: **Nov. 12, 2014**

(51) **LOC (10) Cl.** **10-04**

(52) **U.S. Cl.**
USPC **D10/74; D10/65**

(58) **Field of Classification Search**

CPC A63B 24/00; A63B 2220/14; A63B 71/06;
A63B 26/00; A63B 24/0075; A63B
2071/0663; Y10S 482/909; Y10S 482/901;
A41D 1/002; A44C 5/0015; A44C 5/102;
A44C 5/14; A44C 5/02; A61B 19/44; A61B
2019/446

USPC D10/65, 70, 74; D14/138 R, 138 AA,
D14/138 AB, 138 AC, 138 AD, 341-347,
D14/507-510, 136, 167, 168, 496, 498, 499,
D14/500, 125-134, 239, 371, 374-377, 440,
D14/450, 448, 336, 342; 343/702; 345/87,
345/104, 133, 156, 168, 173, 901-905,
345/165; 348/180, 184, 315, 739, 836, 838,
348/325; 364/444, 499; 701/408-418, 431,
701/432, 537, 1, 454, 428, 440, 400, 491,
701/526, 455, 444, 36, 541, 487; 312/7.2;
341/12; 720/605, 669, 600, 655;
369/99, 197; 455/344, 347, 575.1;
250/221, 338.3, 340, 239, 342, 341,
250/DIG. 1, 353, 338.1; 307/116, 117, 9.1,
307/10.1; 340/521, 527, 541, 567, 540,
340/568.2, 539.23, 635, 687, 425.5, 815.4,
340/901, 988, 989, 990, 992, 995.1, 562,

340/815.45; 315/159; 324/72.5, 556, 133,
324/149, 503, 543, 555, 66, 72, 754, 115,
324/141, 522; 73/615, 624, 627, 644,
73/514.33, 514.34, 510, 513, 527, 530;
356/3.01-5.15; 235/105; 377/5, 24.2,
377/26; 702/155, 160, 176, 78, 79, 82,
702/91-95, 104, 116, 141, 150, 151, 154,
702/127, 131, 182, 183, 189; 600/437, 443,
600/453, 459, 465, 479, 500, 502, 595, 485,
600/481, 483; 700/17; 715/762, 764, 970

See application file for complete search history.

(56) **References Cited**

U.S. PATENT DOCUMENTS

D608,229 S * 1/2010 Katsuno D10/65
D680,450 S * 4/2013 Shimizu D10/65

Primary Examiner — Antoine D Davis

(74) *Attorney, Agent, or Firm* — Brinks Gilson & Lione

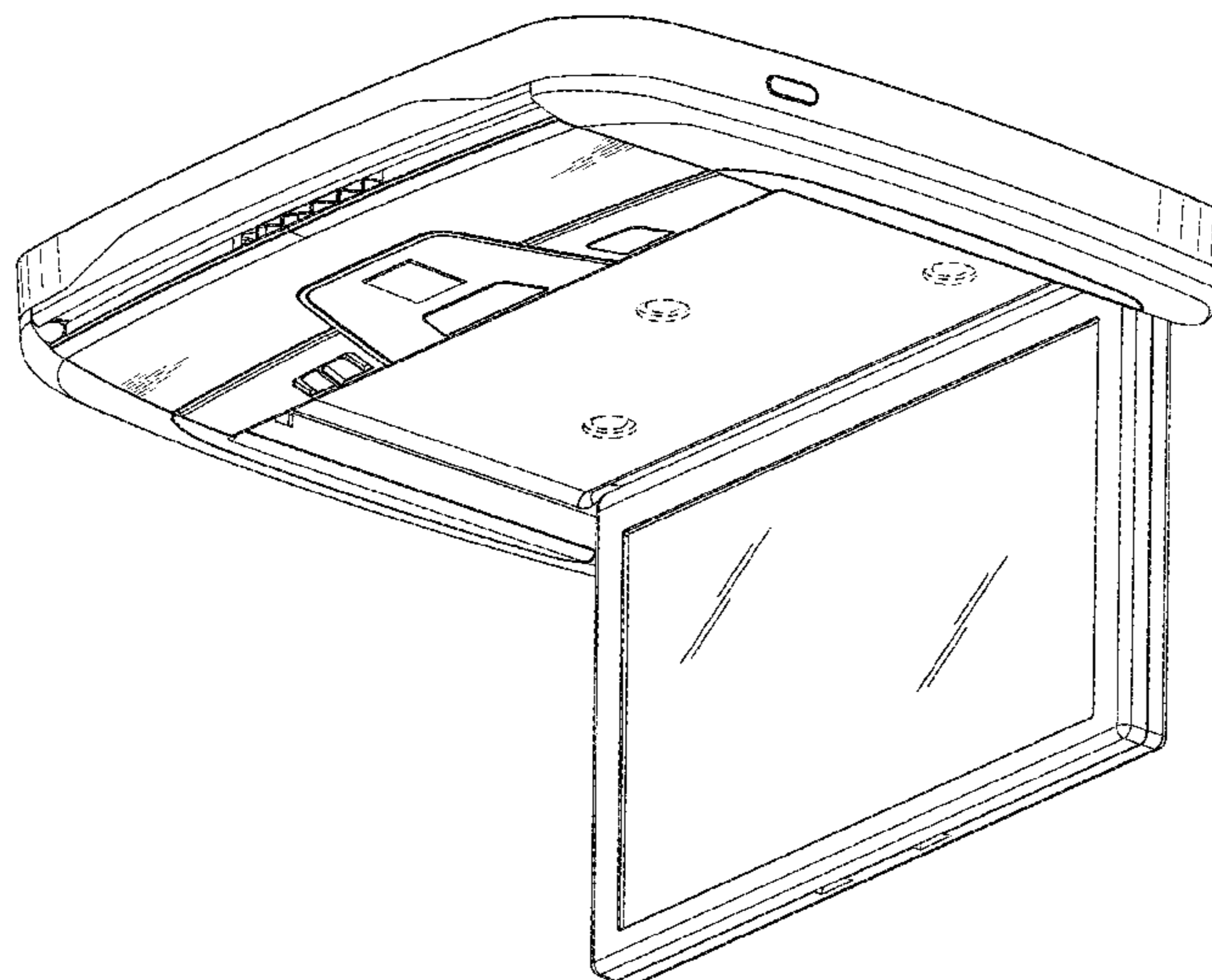
(57) **CLAIM**

The ornamental design of the display monitor for vehicle, as shown and described.

DESCRIPTION

FIG. 1 is a perspective view of a display monitor for vehicle showing the new design in a panel-open status;
FIG. 2 is a perspective view thereof shown in a panel-closed status;
FIG. 3 is a top view thereof in a panel-closed status;
FIG. 4 is a bottom view thereof;
FIG. 5 is a front view thereof in a panel-open status;
FIG. 6 is a front view thereof in a panel-closed status;
FIG. 7 is a rear view thereof in a panel-closed status;
FIG. 8 is a left-side view thereof in a panel-closed status; and,
FIG. 9 is a right-side view thereof in a panel-closed status.
The broken lines are for environmental purposes only and do not form any part of the claimed design.

1 Claim, 7 Drawing Sheets



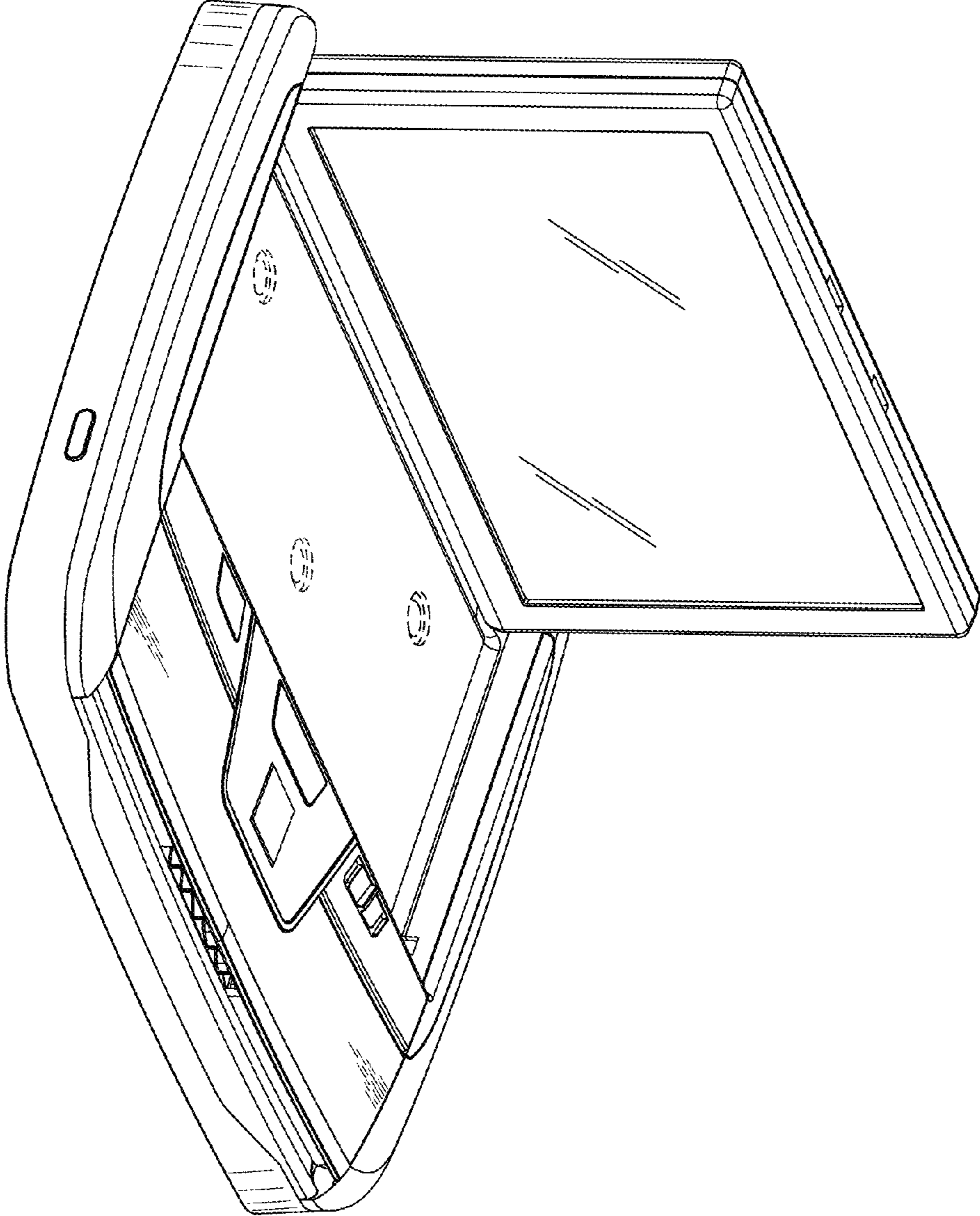


FIG. 1

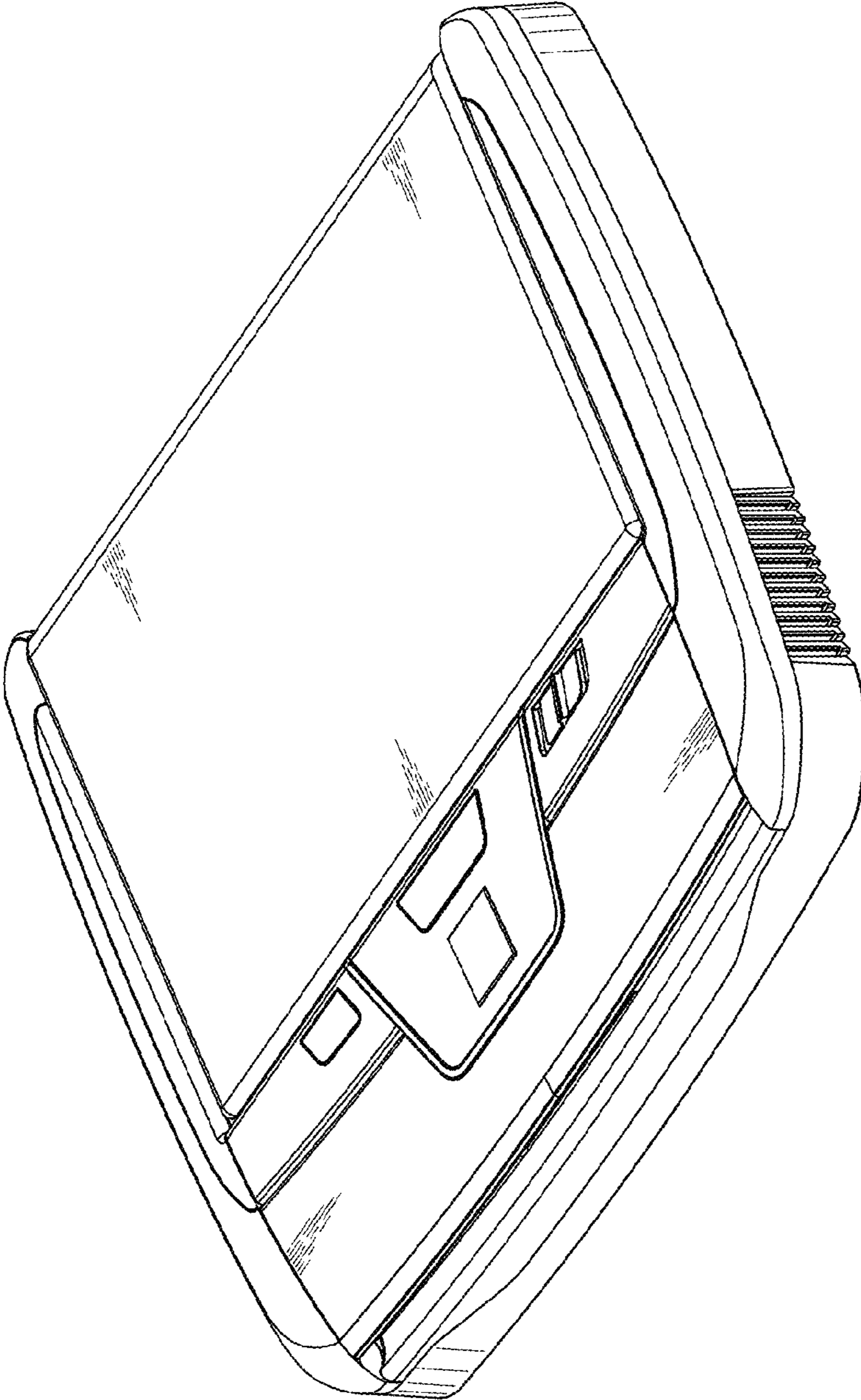


FIG. 2

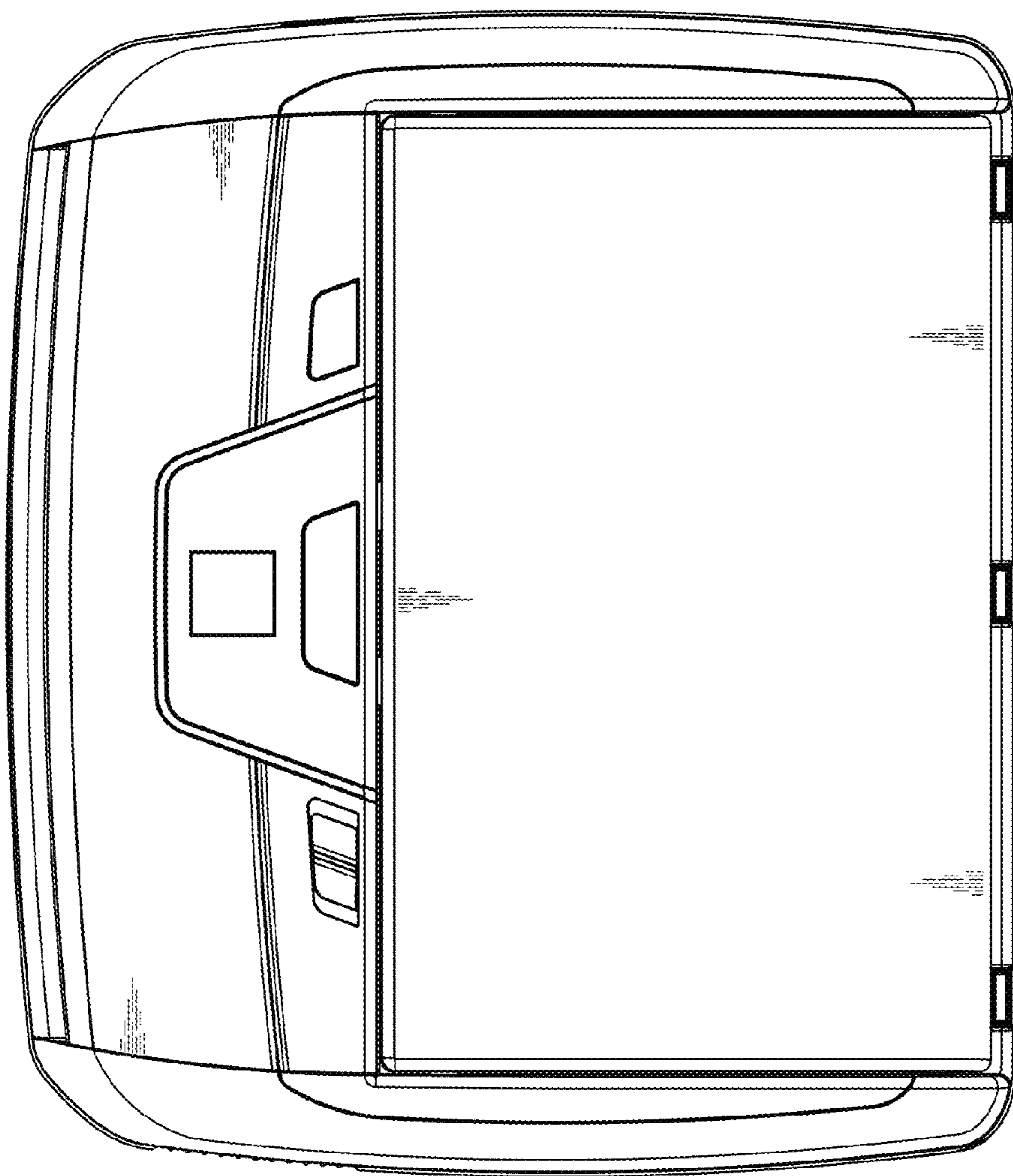


FIG. 3

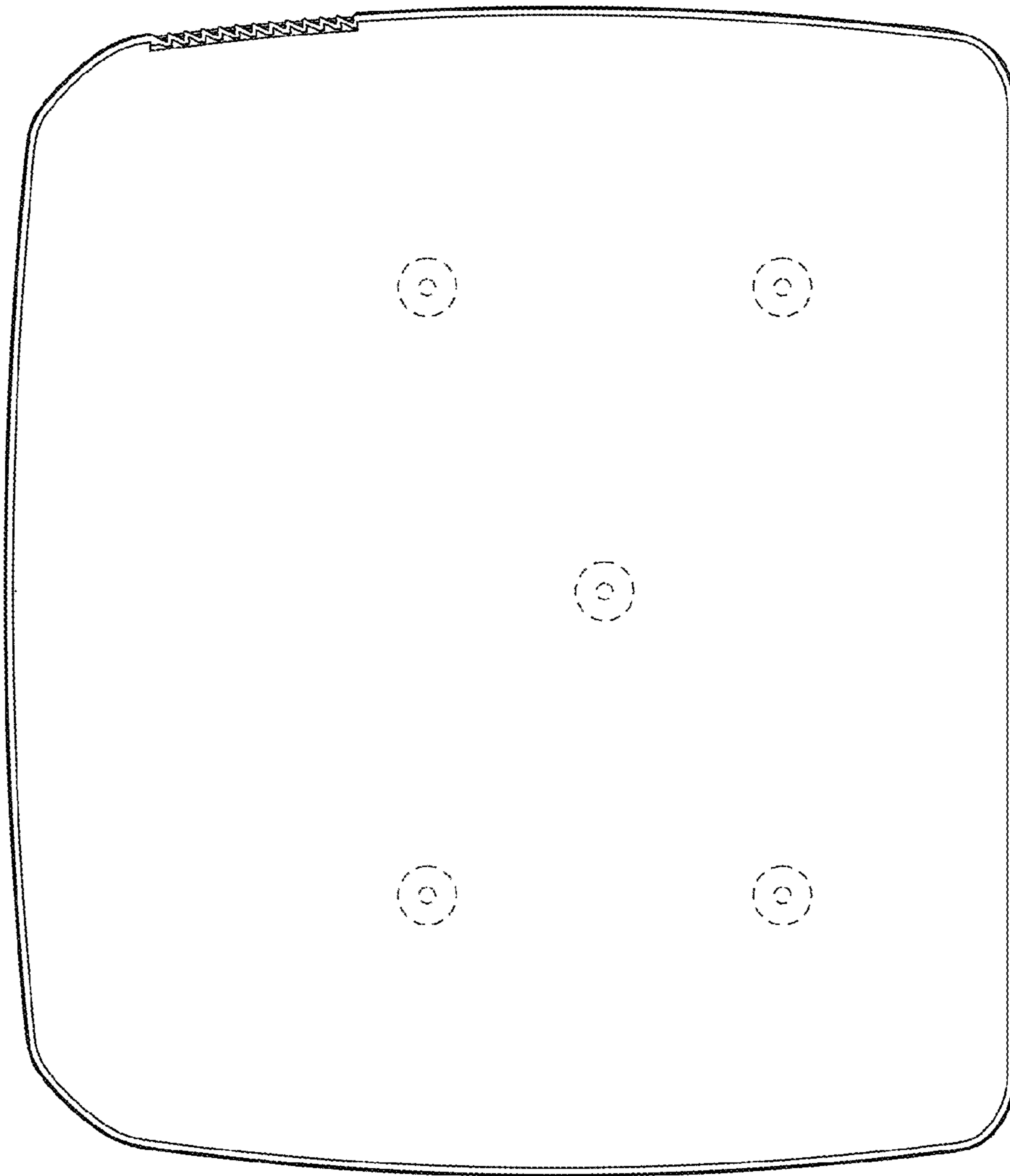


FIG. 4

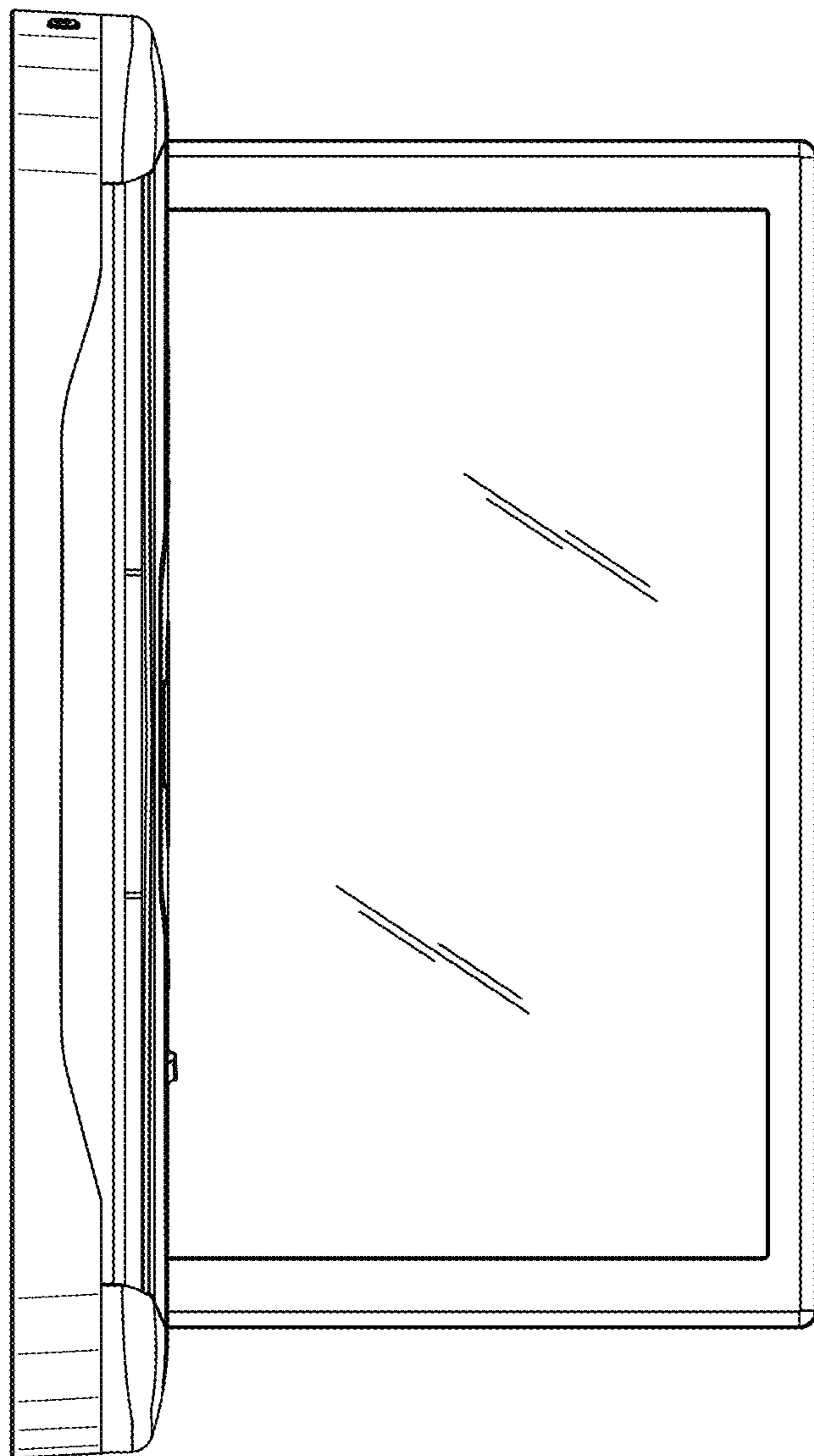


FIG. 5

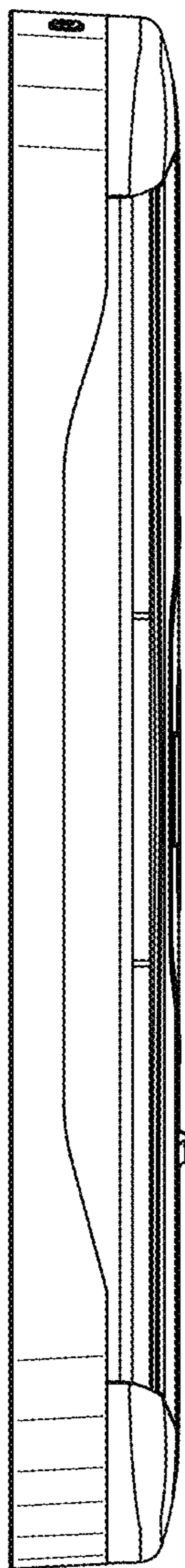


FIG. 6

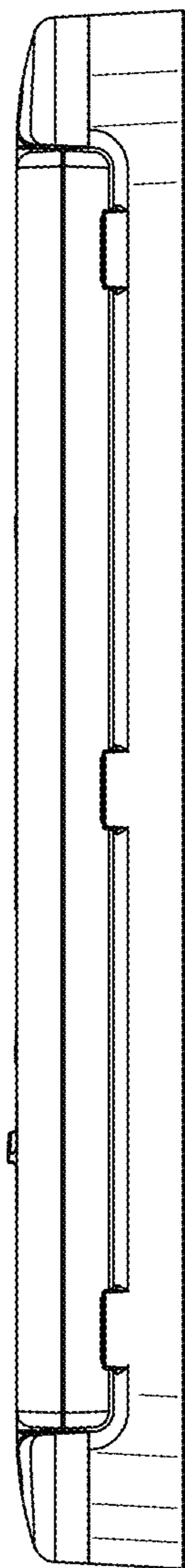


FIG. 7

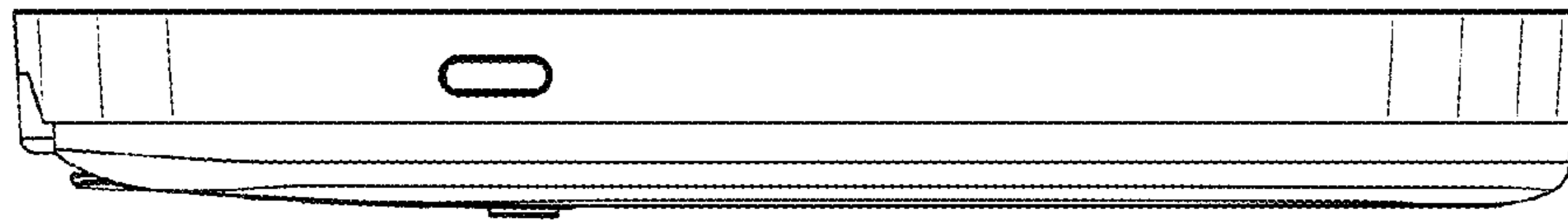


FIG. 9

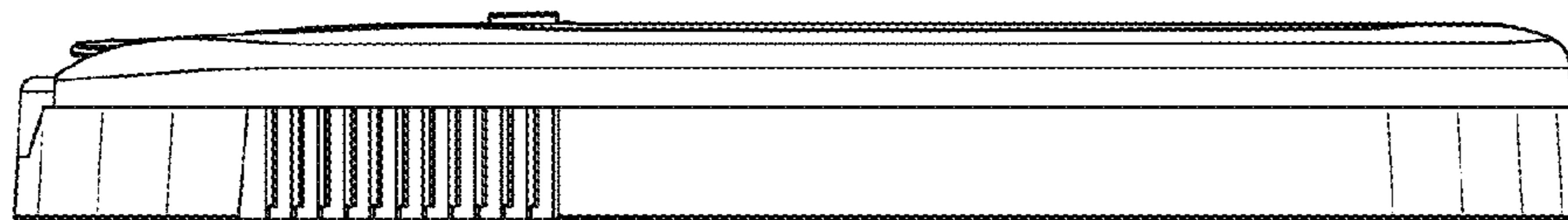


FIG. 8