



US00D726561S

(12) **United States Design Patent**  
**Endo et al.**

(10) **Patent No.:** **US D726,561 S**  
(45) **Date of Patent:** **\*\* Apr. 14, 2015**

(54) **VEHICLE NAVIGATION UNIT WITH VIDEO DISC PLAYER**

(71) Applicant: **Alpine Electronics, Inc.**, Tokyo (JP)

(72) Inventors: **Hideki Endo**, Tokyo (JP); **Mitsuhiro Yashiro**, Tokyo (JP)

(73) Assignee: **Alpine Electronics, Inc.**, Tokyo (JP)

(\*\*) Term: **14 Years**

(21) Appl. No.: **29/492,976**

(22) Filed: **Jun. 4, 2014**

(30) **Foreign Application Priority Data**

Dec. 12, 2013 (JP) ..... 2013-029097

(51) **LOC (10) Cl.** ..... **10-04**

(52) **U.S. Cl.**  
USPC ..... **D10/74; D10/65**

(58) **Field of Classification Search**  
CPC .... A63B 24/00; A63B 2220/14; A63B 71/06;  
A63B 26/00; A63B 24/0075; A63B  
2071/0663; Y10S 482/909; Y10S 482/901;  
A41D 1/002; A44C 5/0015; A44C 5/102;  
A44C 5/14; A44C 5/02; A61B 19/44; A61B  
2019/446

USPC ..... D10/65, 70, 74; D14/138 R, 138 AA,  
D14/138 AB, 138 AC, 138 AD, 341-347,  
D14/507-510, 136, 167, 168, 496, 498, 499,  
D14/500, 125-134, 239, 371, 374-377, 440,  
D14/450, 448, 336, 342; 343/702; 345/87,  
345/104, 133, 156, 168, 173, 901-905,  
345/165; 348/180, 184, 315, 739, 836, 838,  
348/325; 364/444, 499; 701/408-418, 431,  
701/432, 537, 1, 454, 428, 440, 400, 491,  
701/526, 455, 444, 36, 541, 487; 312/7.2;  
341/12; 720/605, 669, 600, 655;  
369/99, 197; 455/344, 347, 575.1;  
250/221, 338.3, 340, 239, 342, 341,  
250/DIG. 1, 353, 338.1; 307/116, 117, 9.1,  
307/10.1; 340/521, 527, 541, 567, 540,

340/568.2, 539.23, 635, 687, 425.5, 815.4,  
340/901, 988, 989, 990, 992, 995.1, 562,  
340/815.45; 315/159; 324/72.5, 556, 133,  
324/149, 503, 543, 555, 66, 72, 754, 115,  
324/141, 522; 73/615, 624, 627, 644,  
73/514.33, 514.34, 510, 513, 527, 530;  
356/3.01-5.15; 235/105; 377/5, 24.2,  
377/26; 702/155, 160, 176, 78, 79, 82,  
702/91-95, 104, 116, 141, 150, 151, 154,  
702/127, 131, 182, 183, 189; 600/437, 443,  
600/453, 459, 465, 479, 500, 502, 595, 485,  
600/481, 483; 700/17; 715/762, 764, 970

See application file for complete search history.

(56) **References Cited**

U.S. PATENT DOCUMENTS

D550,637 S 9/2007 Iwamoto et al.  
D559,228 S 1/2008 Iwamoto

(Continued)

*Primary Examiner* — Antoine D Davis

(74) *Attorney, Agent, or Firm* — Brinks Gilson & Lione

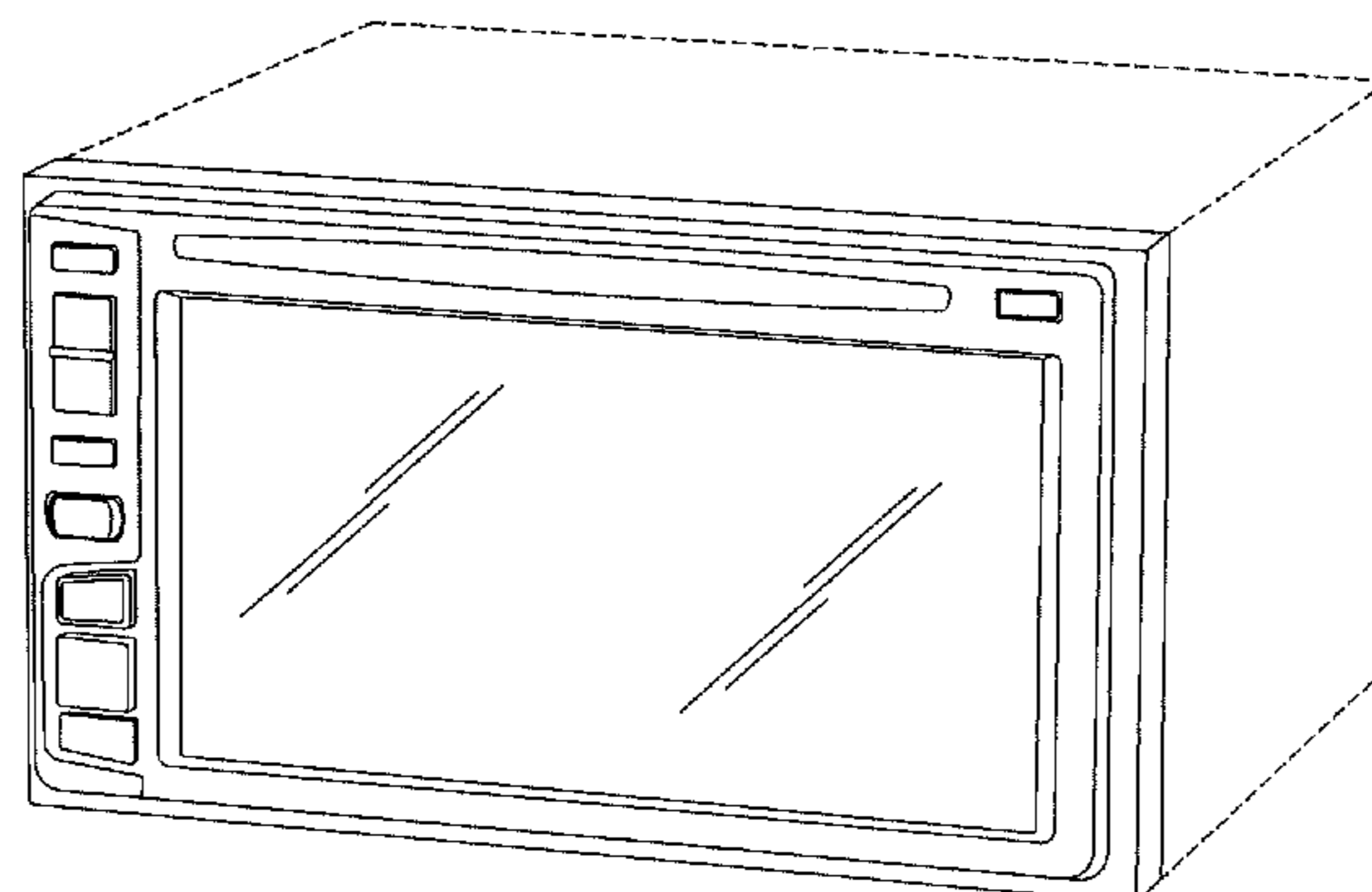
(57) **CLAIM**

The ornamental design of the vehicle navigation unit with video disc player, as shown and described.

**DESCRIPTION**

FIG. 1 is a perspective view of a vehicle navigation unit with video disc player showing the new design;  
FIG. 2 is a front view thereof;  
FIG. 3 is a rear view thereof;  
FIG. 4 is a top view thereof;  
FIG. 5 is a bottom view thereof;  
FIG. 6 is a left-side view thereof;  
FIG. 7 is a right-side view thereof; and,  
FIG. 8 is a front view thereof, shown with the power on for reference purposes only. The images on the screen of the vehicle navigation unit with video disc player with the power on do not form any part of the claimed design.  
The broken lines are for environmental purposes only and do not form any part of the claimed design.

**1 Claim, 8 Drawing Sheets**



(56)

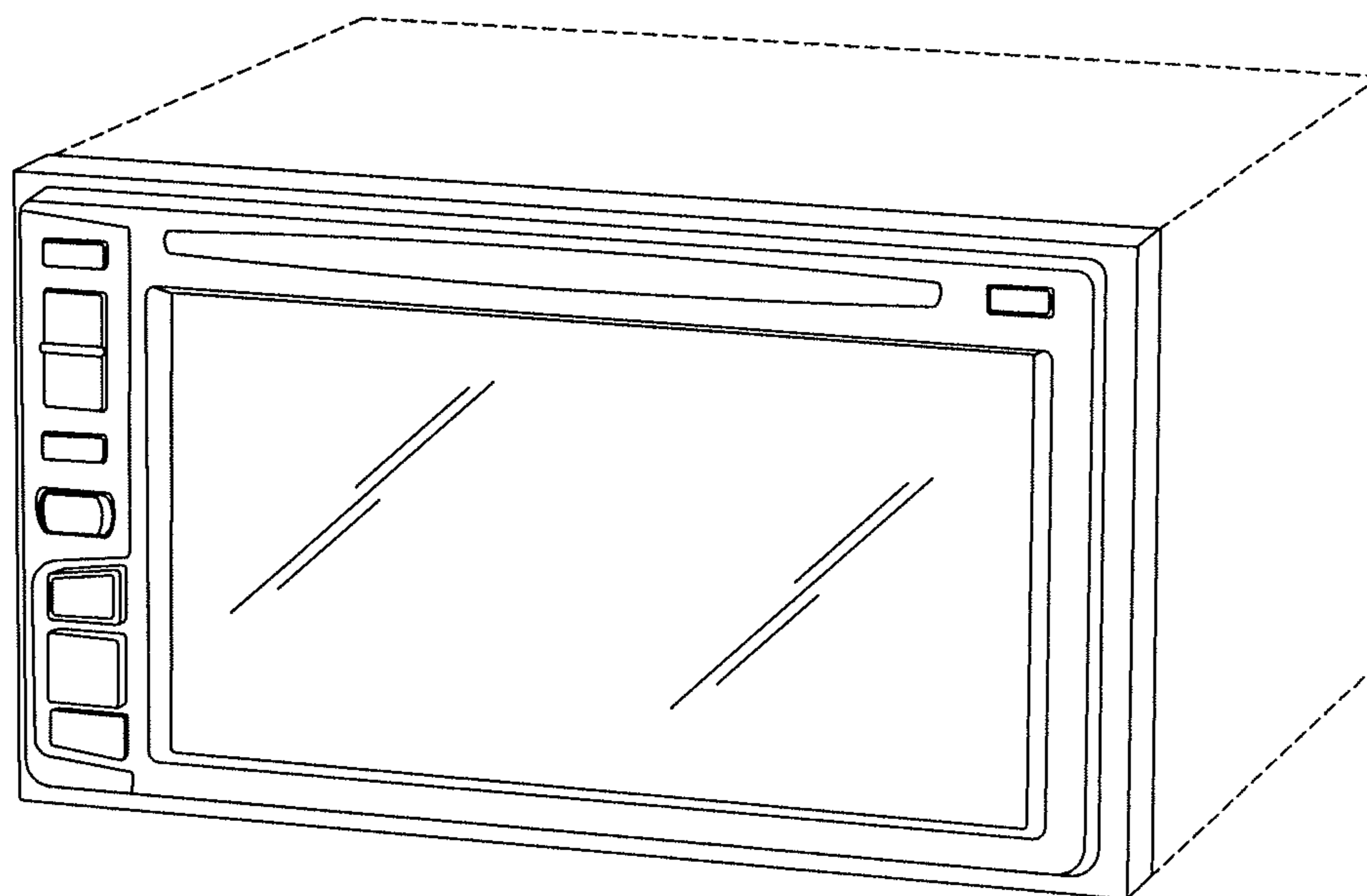
**References Cited**

U.S. PATENT DOCUMENTS

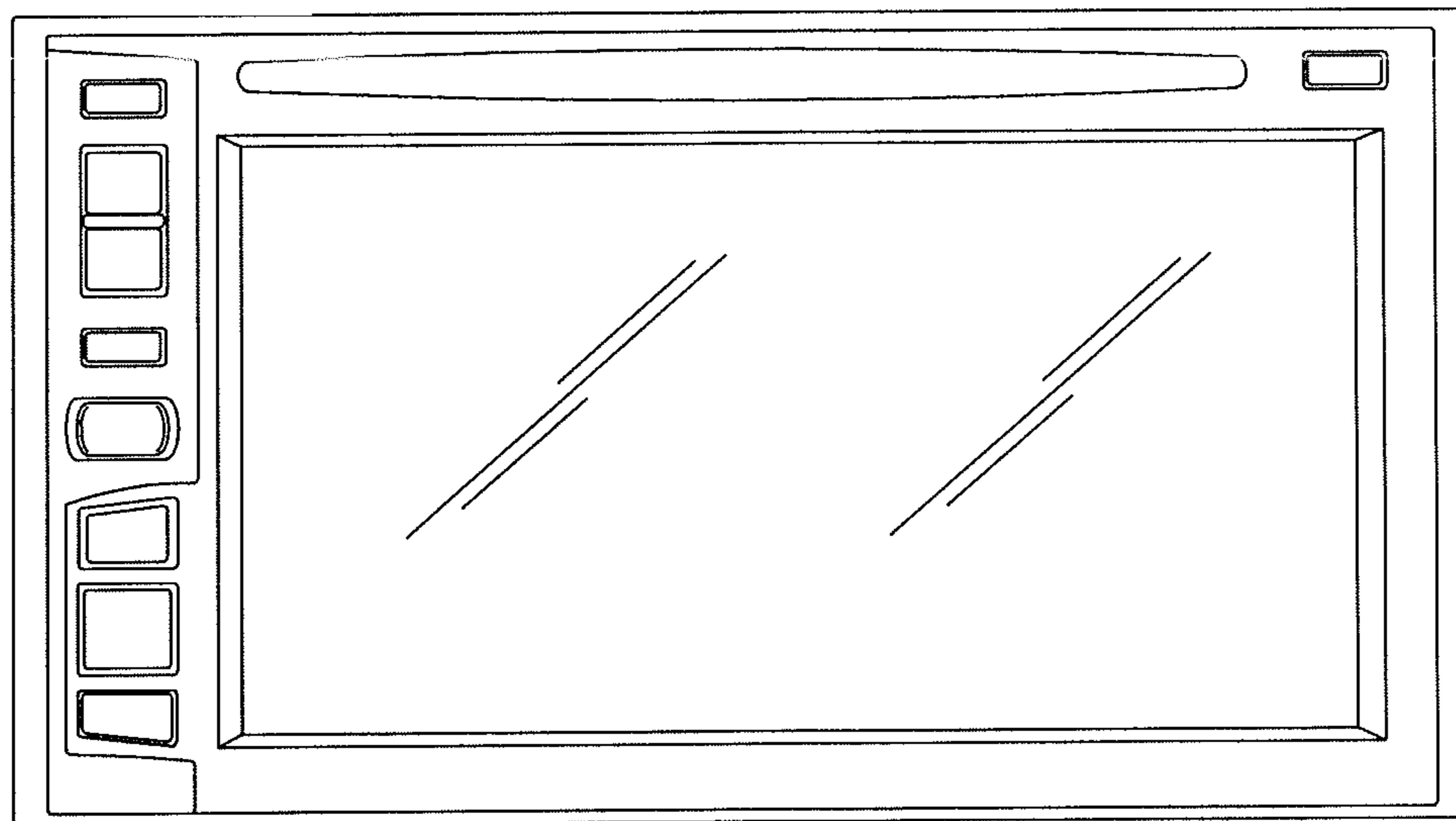
D565,979 S 4/2008 Ichikawa et al.  
D572,218 S 7/2008 Iwamoto  
D575,252 S 8/2008 Iwamoto  
D582,807 S \* 12/2008 Ichikawa et al. .... D10/65  
D593,881 S 6/2009 Endo et al.  
D608,774 S 1/2010 Iwamoto et al.  
D665,380 S 8/2012 Iwamoto

D673,471 S \* 1/2013 Miyawaki ..... D10/65  
D676,342 S \* 2/2013 Koiwa ..... D10/65  
D680,450 S \* 4/2013 Shimizu ..... D10/65  
D689,384 S \* 9/2013 Morikawa ..... D10/65  
8,527,669 B2 9/2013 Okada  
D691,499 S \* 10/2013 Koiwa ..... D10/65  
D693,704 S \* 11/2013 Katsuno ..... D10/65  
D698,671 S \* 2/2014 Takahara et al. .... D10/65  
D699,602 S \* 2/2014 Miyawaki ..... D10/65

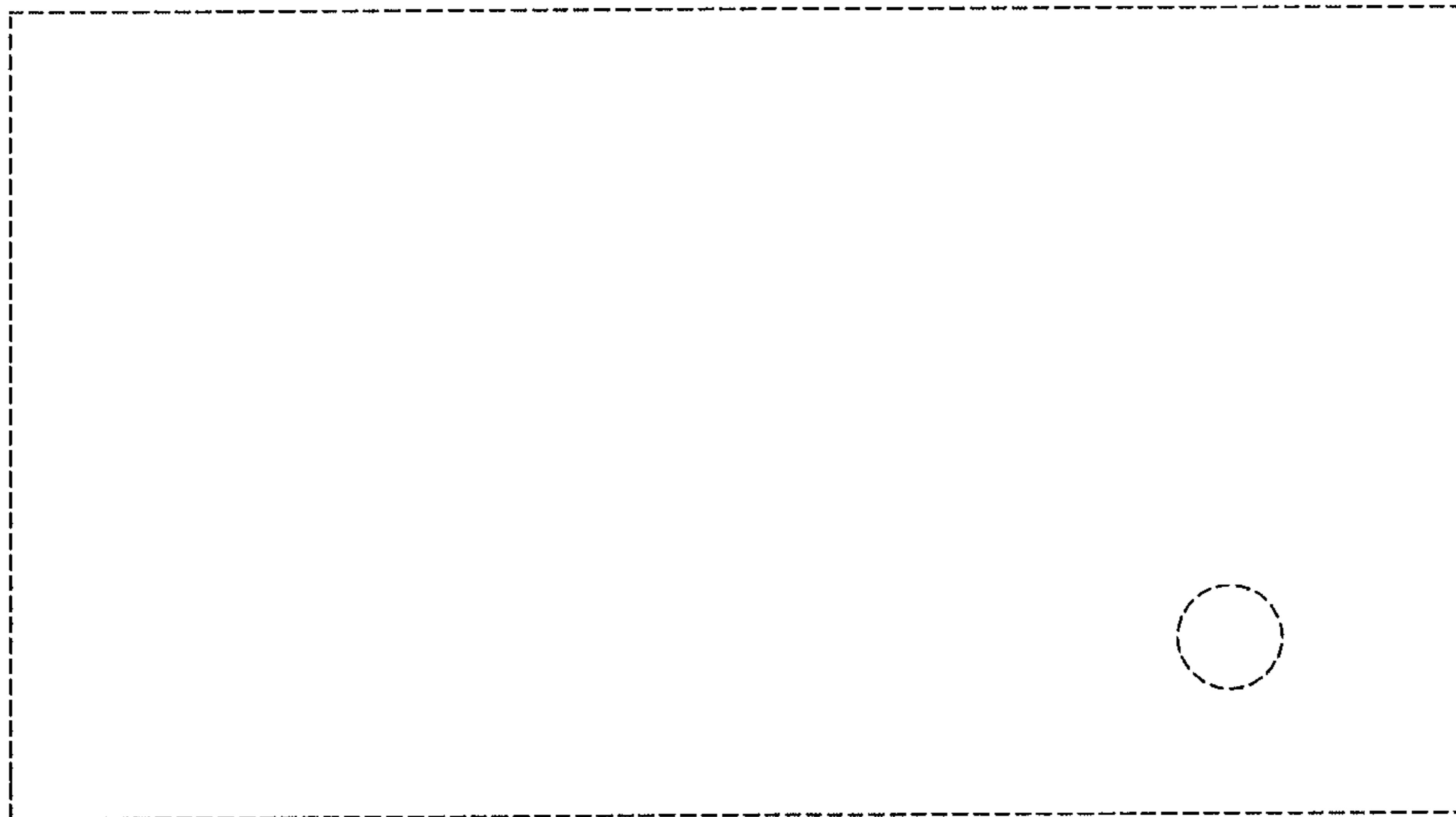
\* cited by examiner



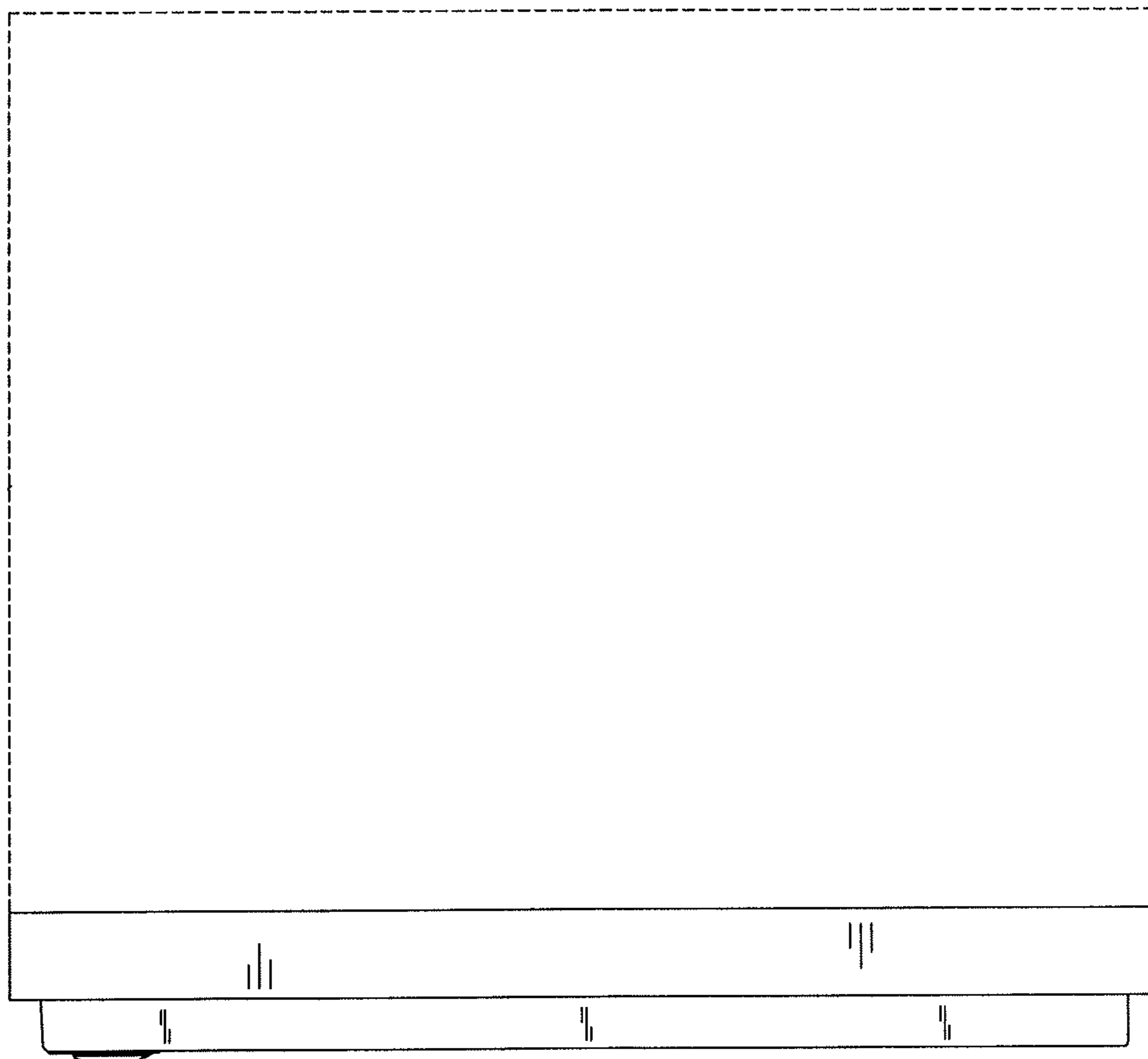
*FIG. 1*



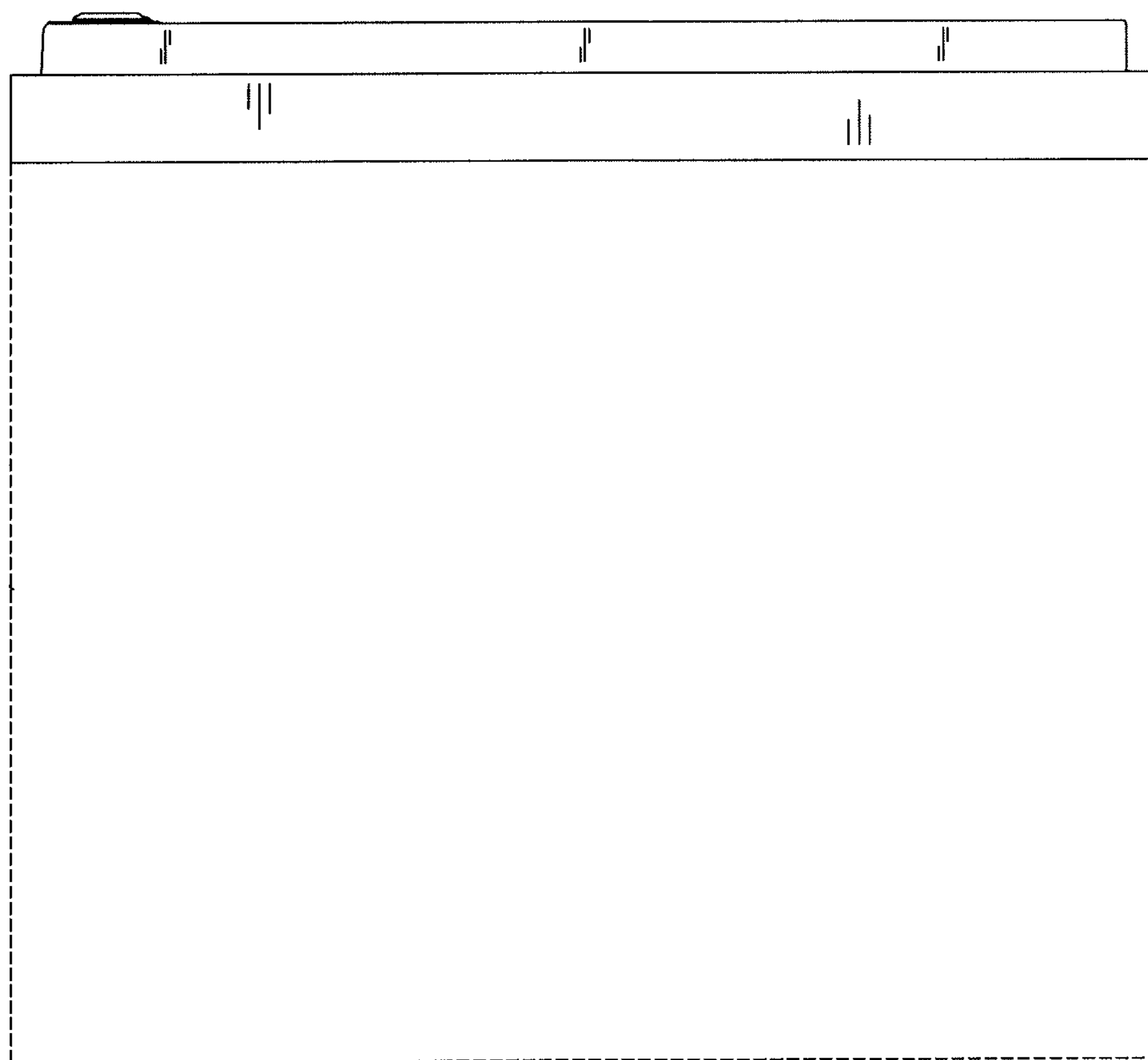
*FIG. 2*



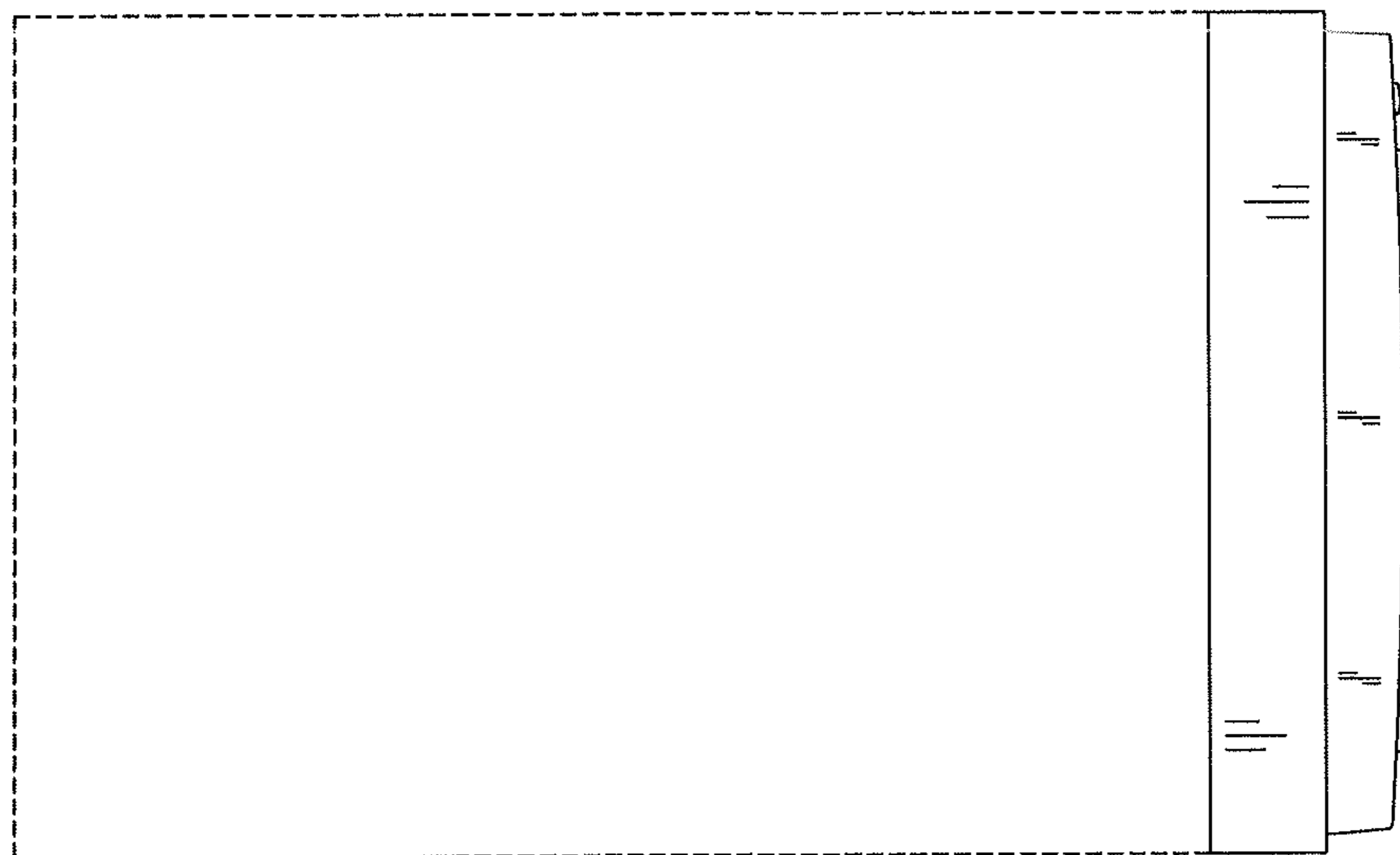
*FIG. 3*



*FIG. 4*

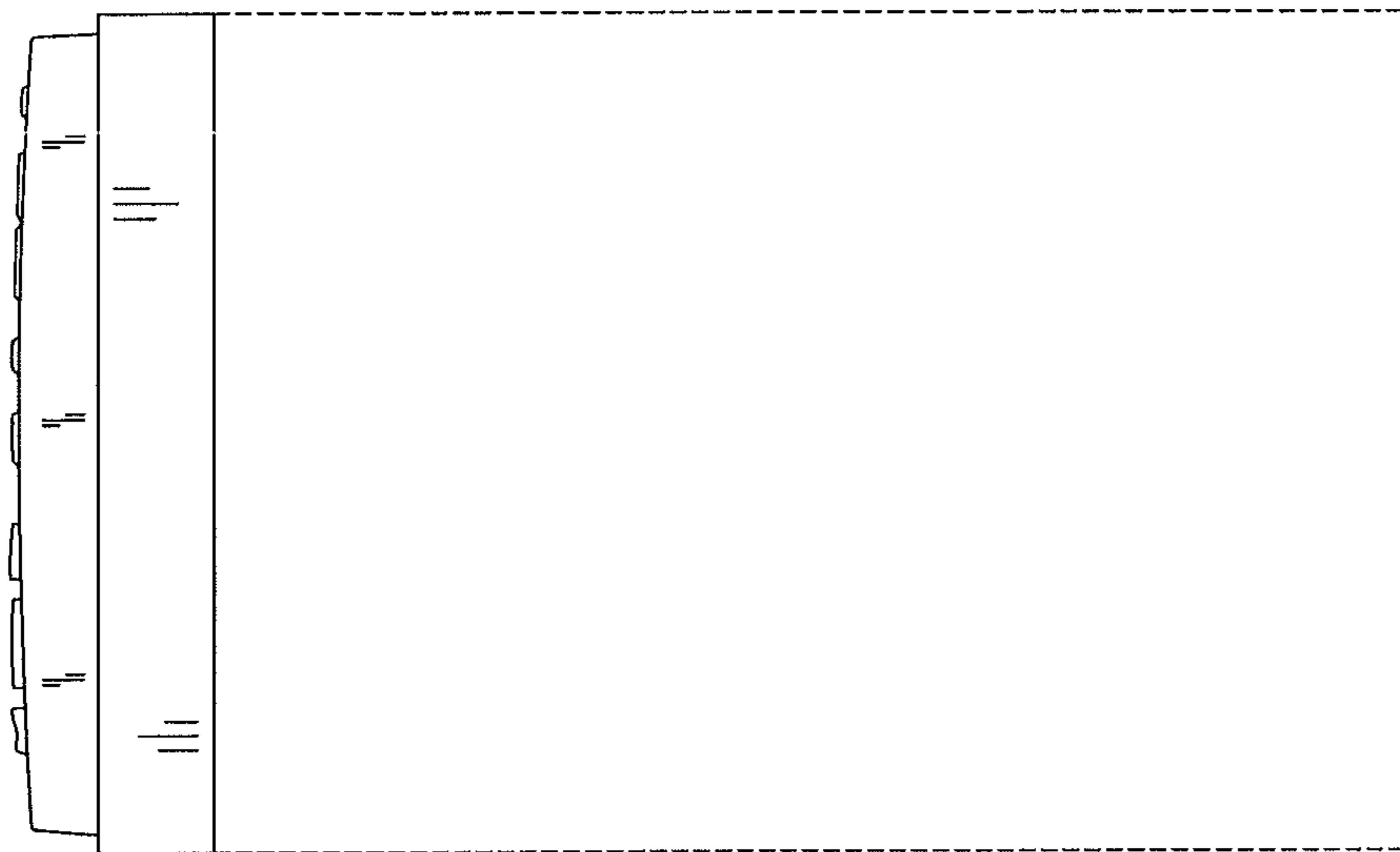


*FIG. 5*



*FIG. 6*





*FIG. 7*

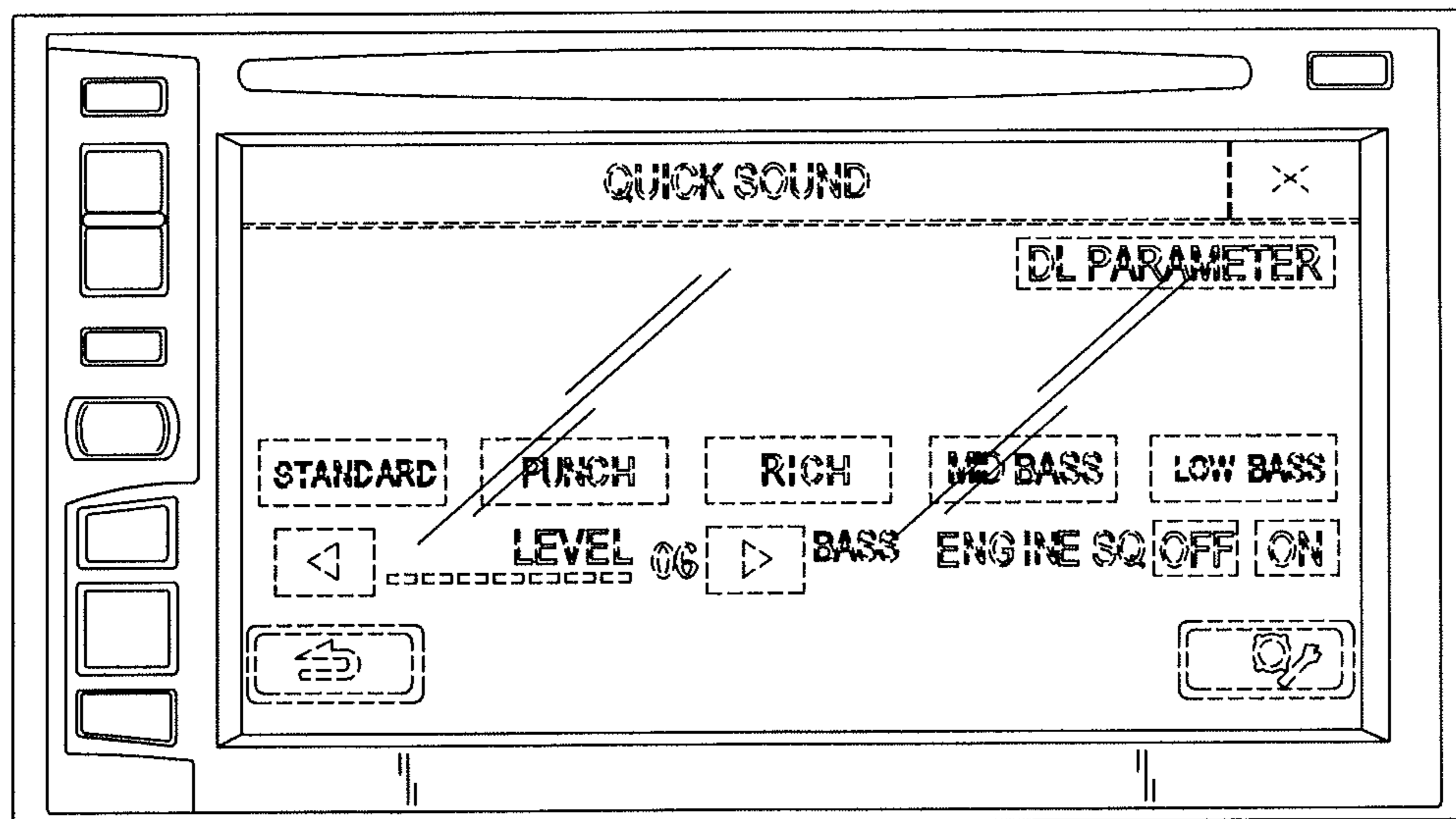


FIG. 8