

US00D726560S

(12) **United States Design Patent**
Gaw

(10) **Patent No.:** **US D726,560 S**

(45) **Date of Patent:** **** Apr. 14, 2015**

- (54) **REMOTE SENSING ENCLOSURE**
- (71) Applicant: **David Curtis Gaw**, Golden, CO (US)
- (72) Inventor: **David Curtis Gaw**, Golden, CO (US)
- (**) Term: **14 Years**
- (21) Appl. No.: **29/493,303**
- (22) Filed: **Jun. 6, 2014**
- (51) **LOC (10) Cl.** **10-04**
- (52) **U.S. Cl.**
USPC **D10/70**
- (58) **Field of Classification Search**
CPC G08G 1/096883; G08G 1/096872;
G08G 1/096775; G01C 21/16; G01C 21/3688;
G01C 21/30; G01V 8/20; G01J 5/02; G01J
5/023; G01J 5/24; G01J 5/10; G01J 5/20;
G01J 5/0235; G01J 5/08; G01J 5/0853;
G01J 5/33; G01J 5/34
USPC D10/65, 70
See application file for complete search history.

(56) **References Cited**

U.S. PATENT DOCUMENTS

D329,825	S	*	9/1992	Taylor et al.	D10/106.1
D332,459	S		1/1993	Morimiya		
6,157,317	A		12/2000	Walker		
7,511,612	B1		3/2009	Monroe		
D612,756	S	*	3/2010	D'Amelio et al.	D10/70
D653,687	S		2/2012	Yu		

8,264,167	B2		9/2012	Kerr et al.		
8,282,480	B2		10/2012	Wells et al.		
8,511,576	B2		8/2013	Warren et al.		
8,544,643	B2		10/2013	Yim		
8,571,598	B2		10/2013	Valavi		
8,594,850	B1		11/2013	Gourlay et al.		
2011/0076991	A1		3/2011	Mueck et al.		
2013/0074051	A1		3/2013	Freeman		

* cited by examiner

Primary Examiner — Antoine D Davis

(74) *Attorney, Agent, or Firm* — Michael A. Kerr; Kerr IP Group, LLC

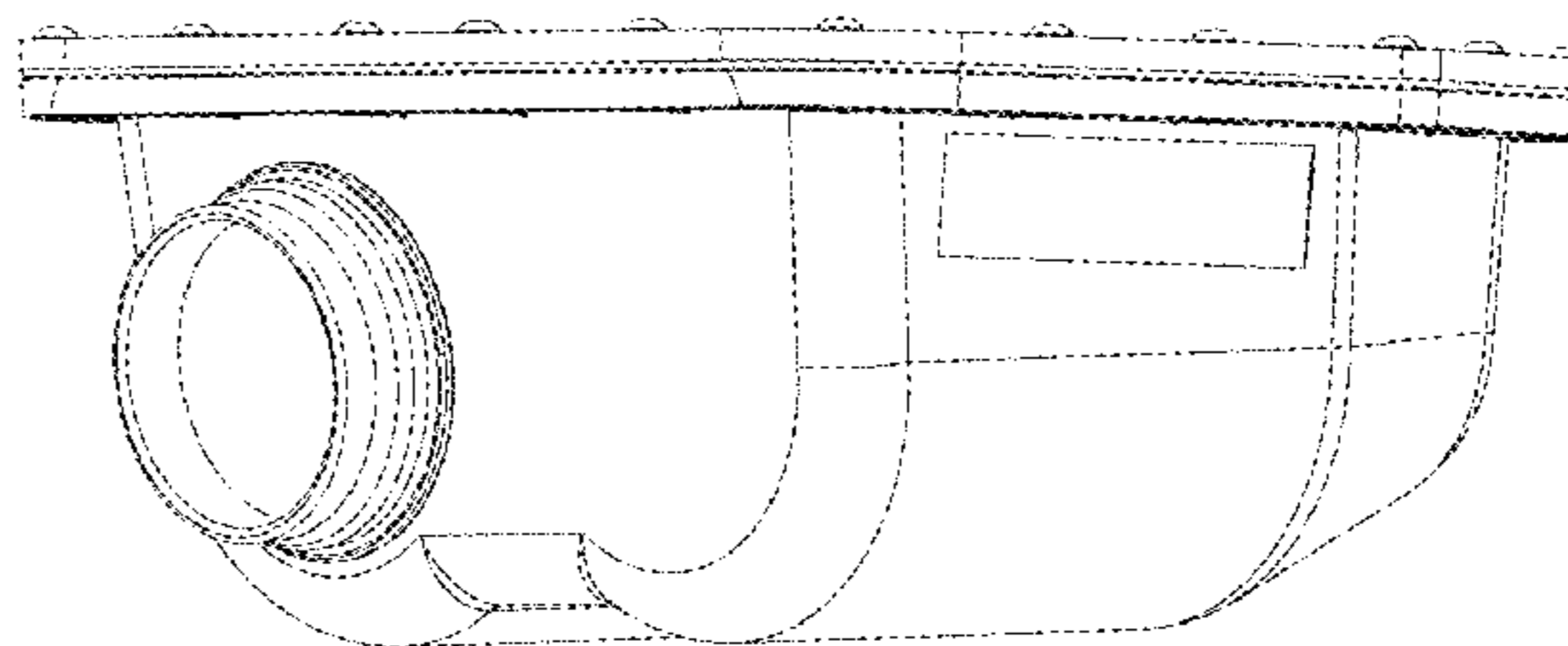
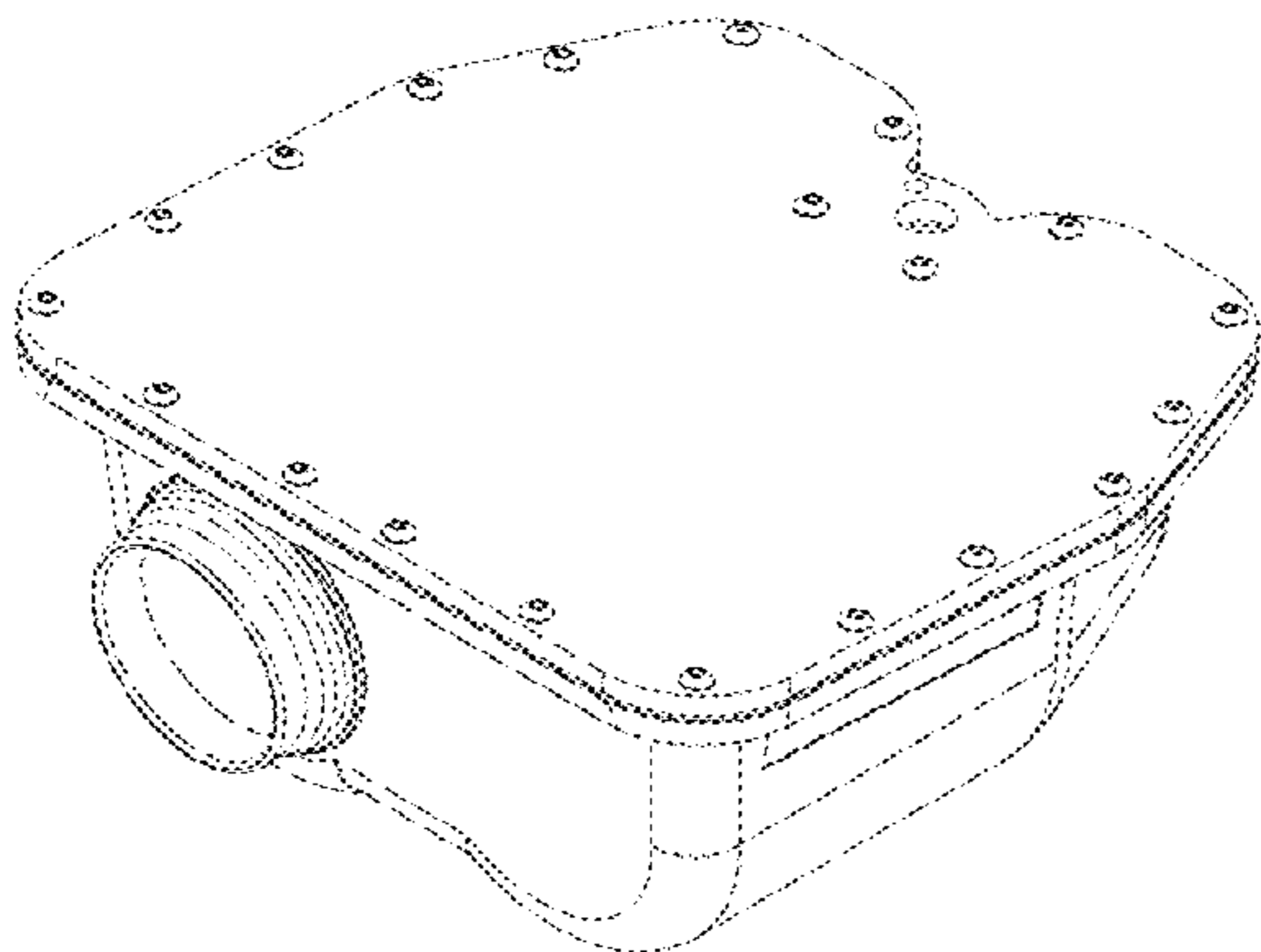
(57) **CLAIM**

I claim the ornamental design for a remote sensing enclosure, as shown and described.

DESCRIPTION

FIG. 1 is an isometric view of a remote sensing enclosure showing my new design;
 FIG. 2 is a front side view of the remote sensing enclosure thereof;
 FIG. 3 is a top view of the remote sensing enclosure thereof;
 FIG. 4 is a bottom view of the remote sensing enclosure thereof;
 FIG. 5 is a front view of the remote sensing enclosure thereof;
 and,
 FIG. 6 is a back view of the remote sensing enclosure thereof.

1 Claim, 3 Drawing Sheets



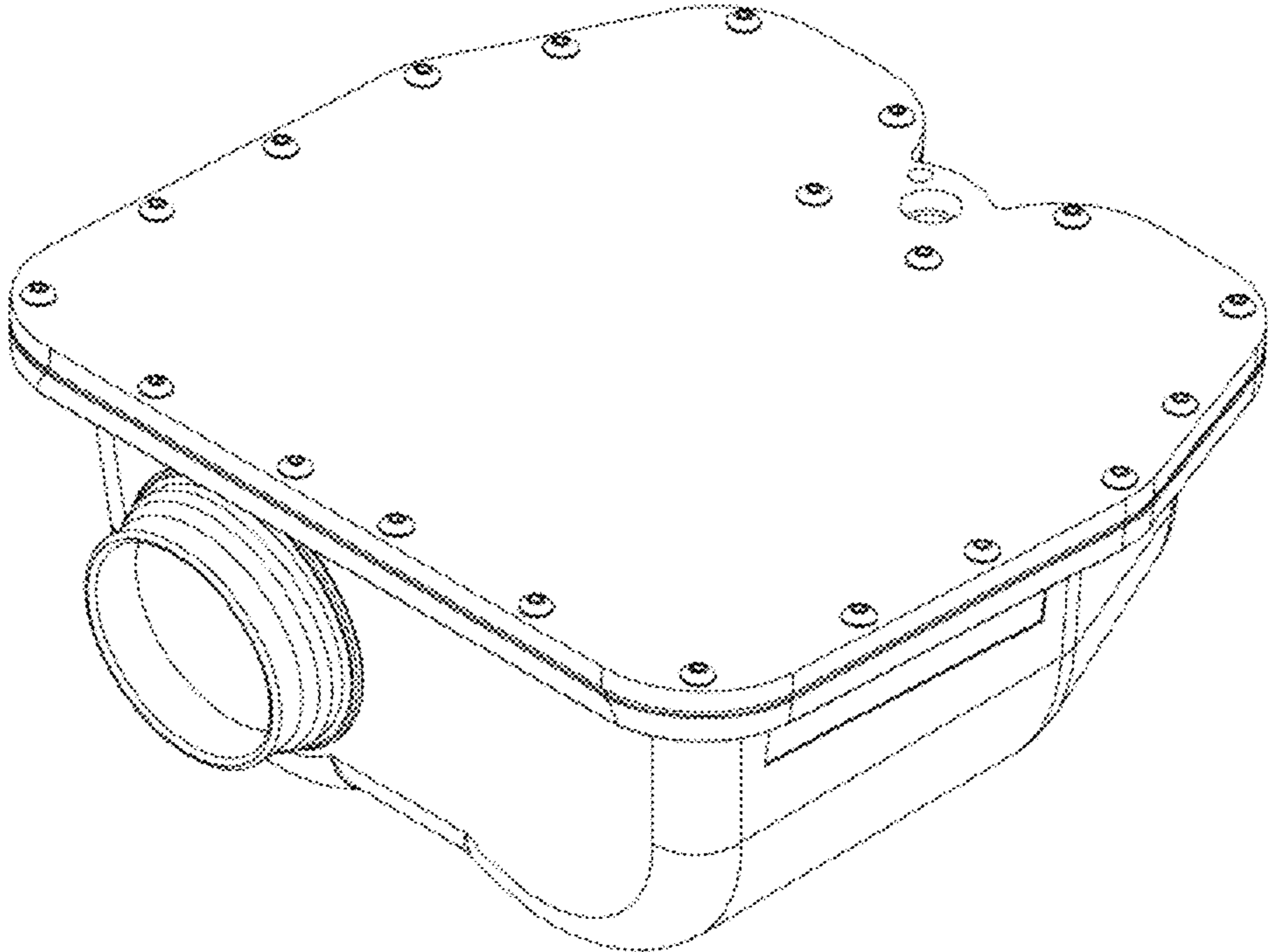


FIG. 1

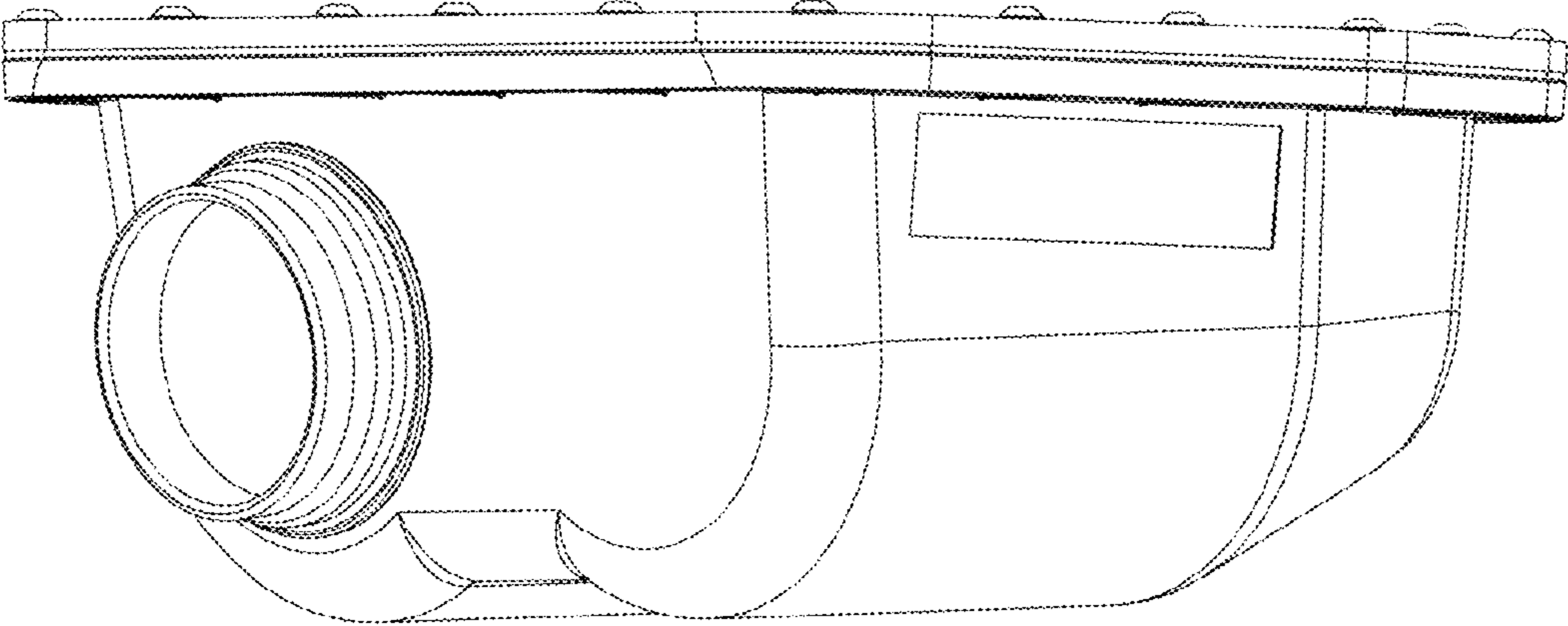


FIG. 2

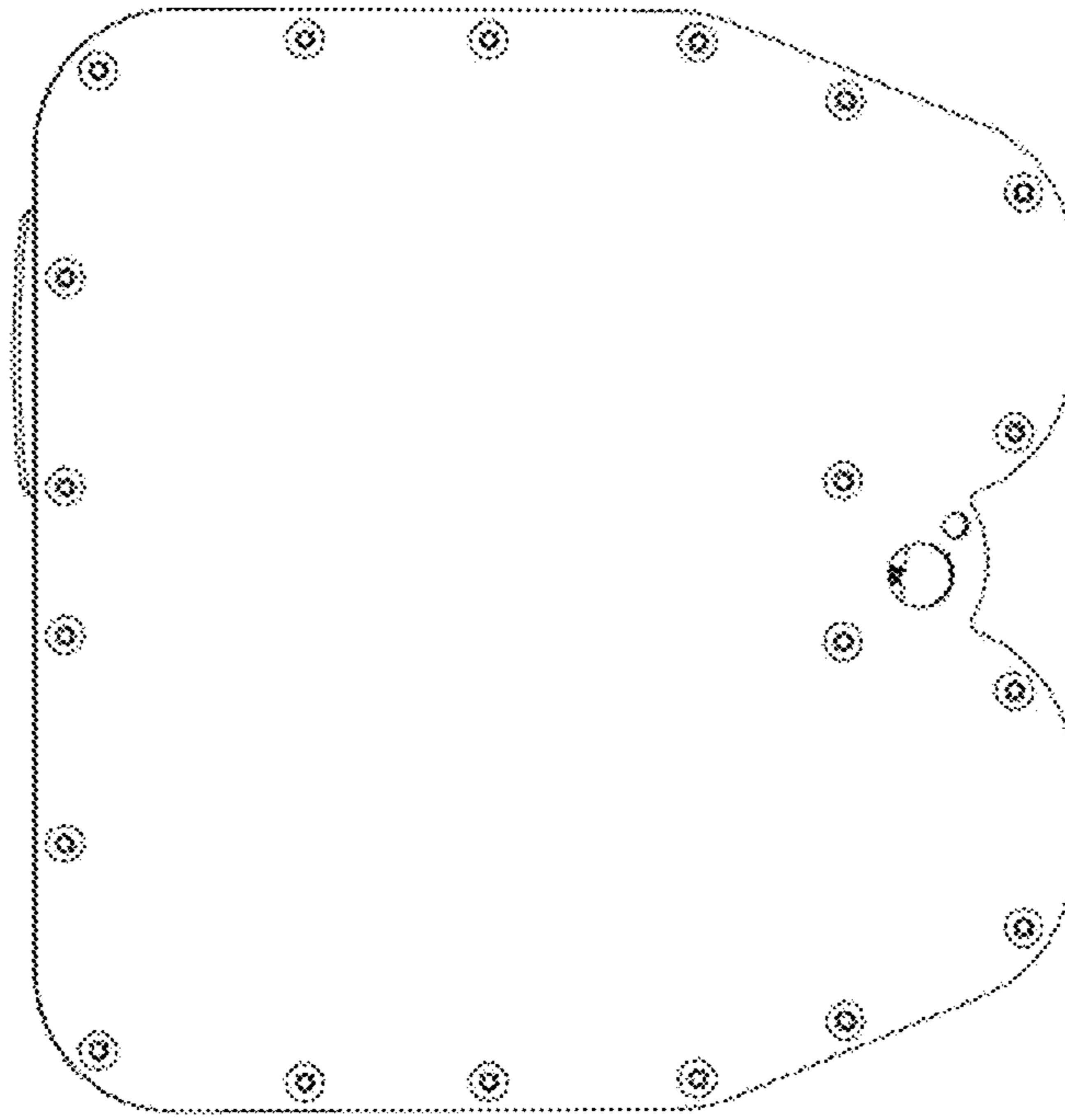


FIG. 3

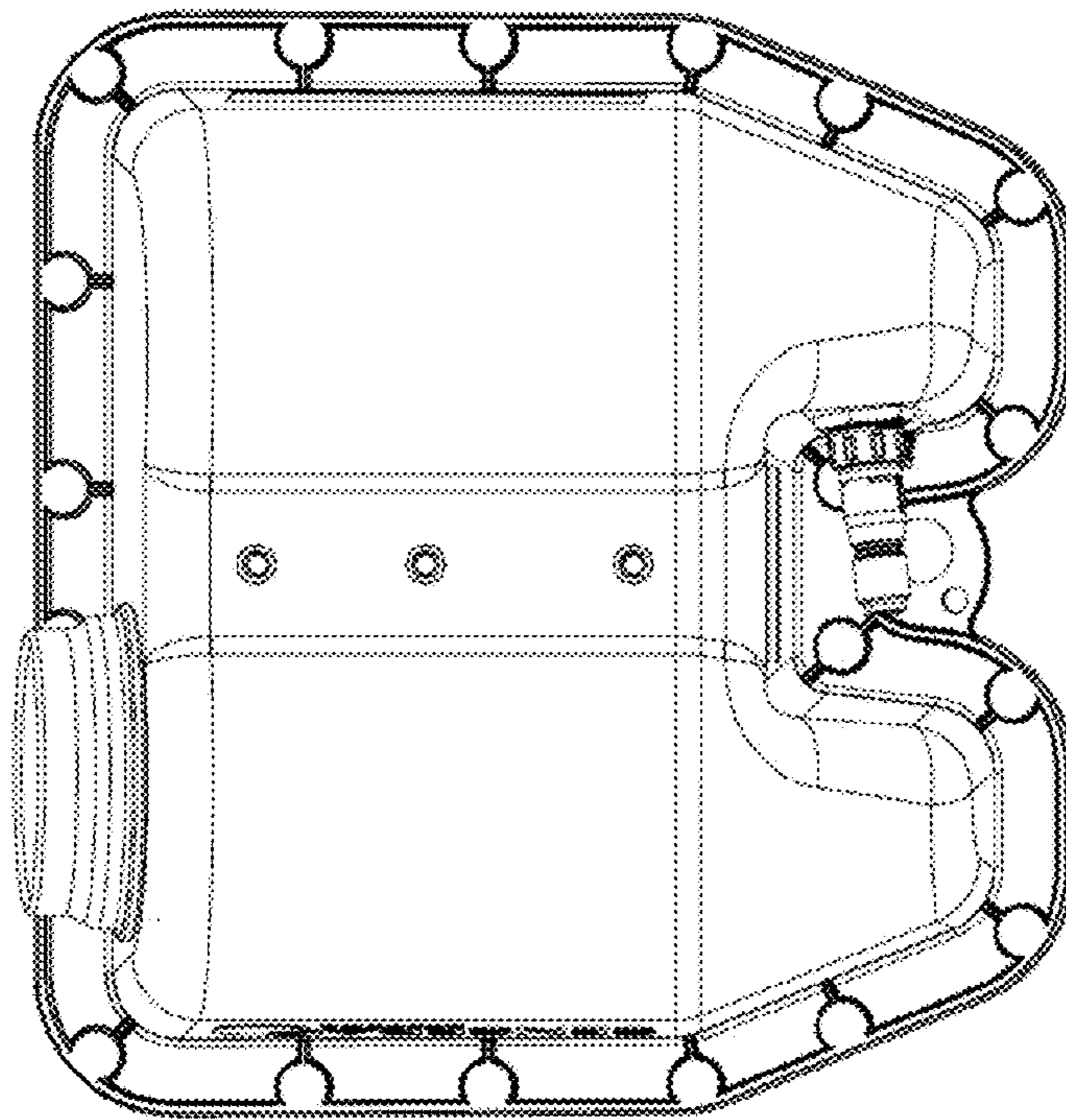


FIG. 4

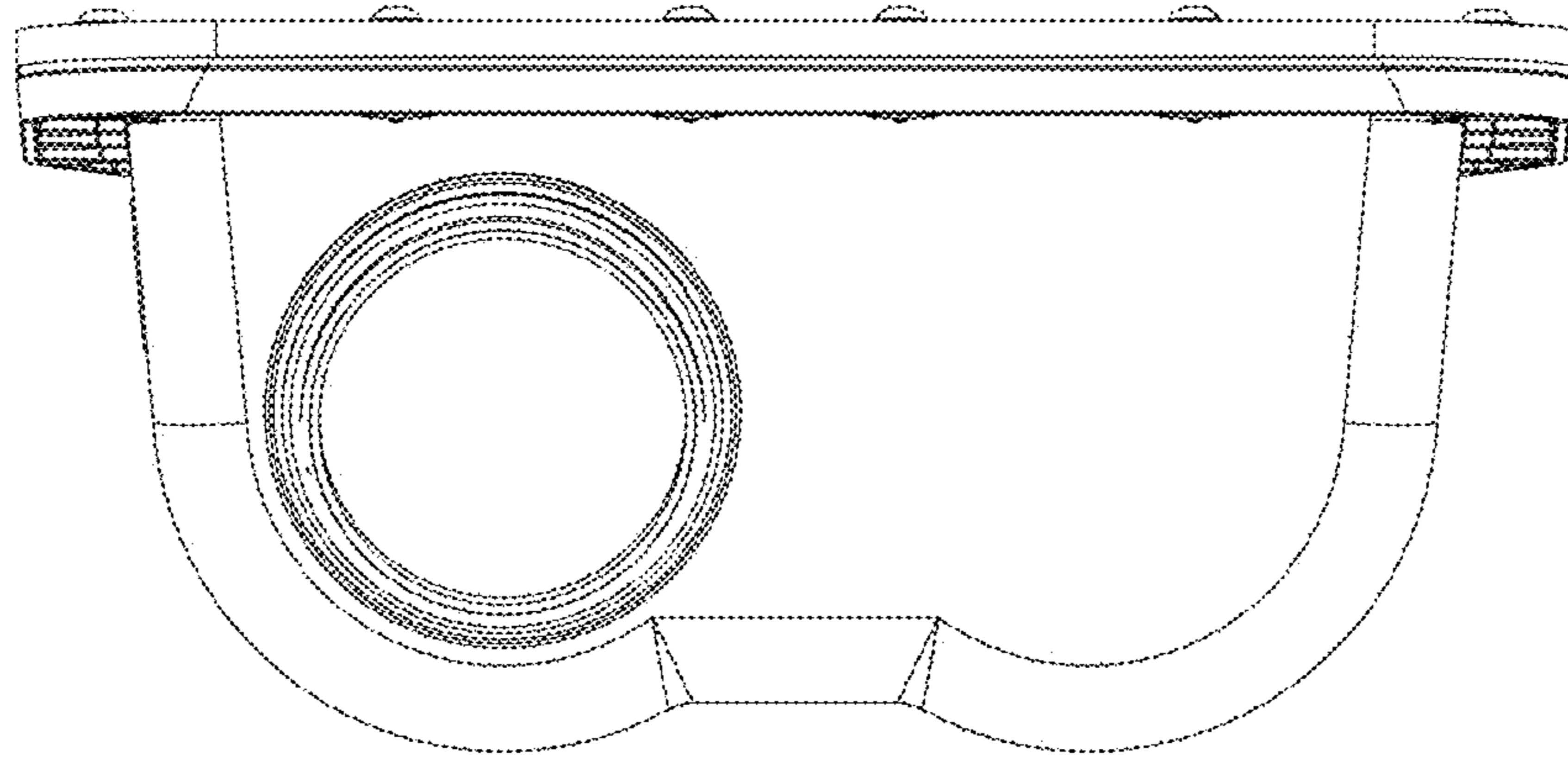


FIG. 5

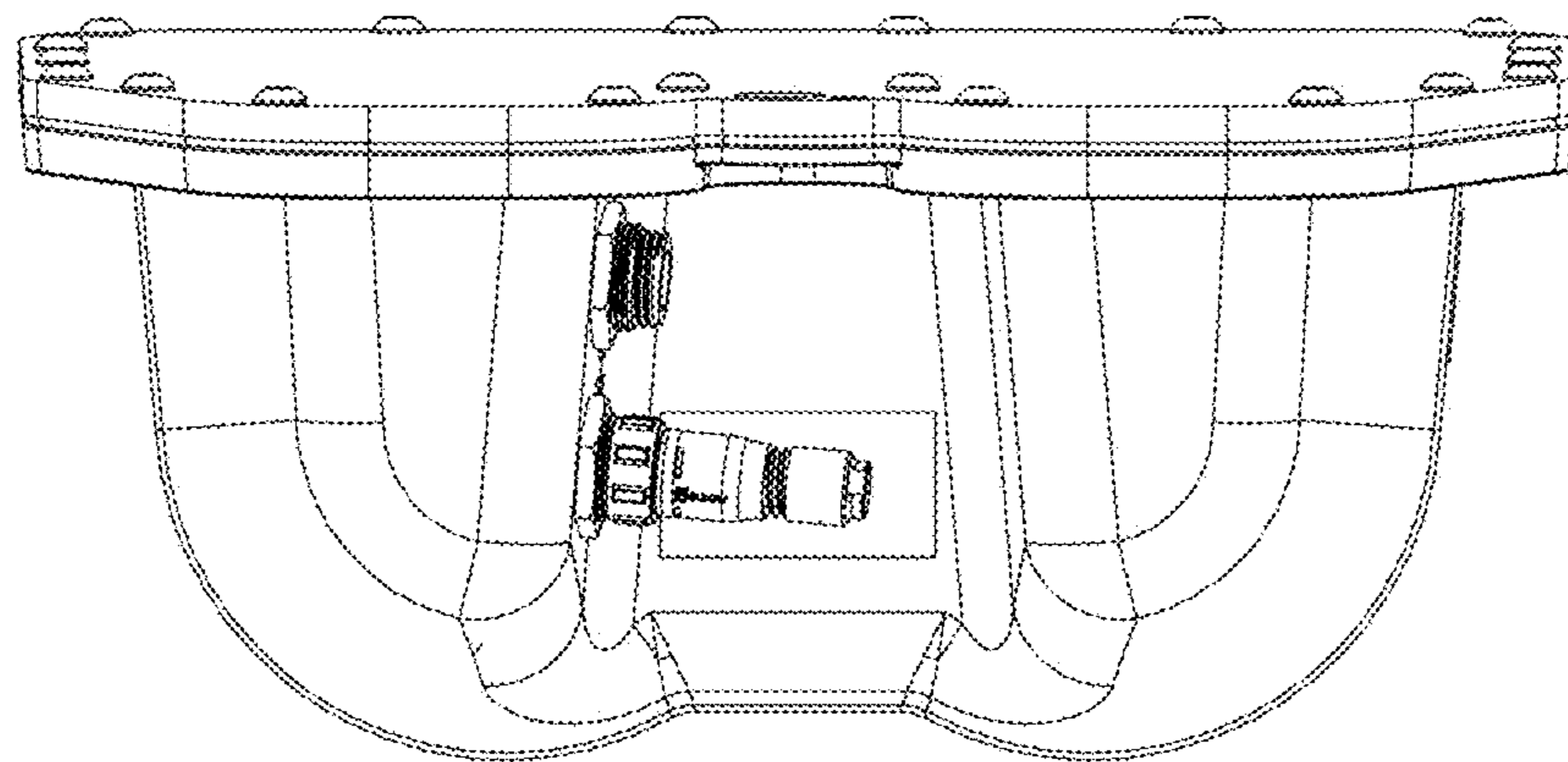


FIG. 6