

US00D726557S

(12) **United States Design Patent**
Lasserre

(10) **Patent No.:** **US D726,557 S**

(45) **Date of Patent:** **** Apr. 14, 2015**

(54) **WATCH**

(71) Applicant: **Harry Winston SA**, Plan-les-Ouates
(CH)

(72) Inventor: **Christophe Lasserre**, Vandoeuvres (CH)

(73) Assignee: **Harry Winston SA**, Plan-les-Ouates
(CH)

(**) Term: **14 Years**

(21) Appl. No.: **29/502,206**

(22) Filed: **Sep. 12, 2014**

(30) **Foreign Application Priority Data**

Mar. 13, 2014 (WO) DM/083150

(51) **LOC (10) Cl.** **10-02**

(52) **U.S. Cl.**
USPC **D10/39**

(58) **Field of Classification Search**

CPC G04B 19/06; G04B 45/0061; G04B 47/04;
G04B 4/005; G04B 19/268; G04B 19/24;
G04B 19/048

USPC D10/30-39, 122-132; 368/276, 281,
368/282, 223, 228, 232, 233, 28, 16, 17, 18

See application file for complete search history.

(56) **References Cited**

U.S. PATENT DOCUMENTS

3,570,239 A * 3/1971 Charles 368/11
4,766,579 A * 8/1988 Sporing 368/190
5,181,190 A * 1/1993 Kanzaki 368/76
5,235,562 A * 8/1993 Vaucher 368/28

5,255,248 A * 10/1993 Goodmon 368/228
D459,241 S * 6/2002 Bodino D10/32
D474,118 S * 5/2003 Monachon D10/32
D477,236 S * 7/2003 Robert-Tissot D10/39
D512,923 S * 12/2005 Bolt et al. D10/39
D526,218 S * 8/2006 Krieger D10/39
D527,286 S * 8/2006 Calvani D10/39
7,134,783 B2 * 11/2006 Schmiedchen et al. 368/190
D606,890 S * 12/2009 Bulgari D10/39
D615,883 S * 5/2010 Laucella D10/39
D632,200 S * 2/2011 Kauffmann D10/126
D641,264 S * 7/2011 Garcia D10/39
D693,244 S * 11/2013 Duport et al. D10/39
D694,655 S * 12/2013 Rufenacht D10/38
D704,574 S * 5/2014 Lasserre D10/39
2010/0027381 A1 * 2/2010 Mahler et al. 368/28

* cited by examiner

Primary Examiner — Lucy Lieberman

(74) *Attorney, Agent, or Firm* — Donald J. Ranft; Kristen A. Mogavero; Collen IP

(57) **CLAIM**

The ornamental design for a watch, as shown.

DESCRIPTION

FIG. 1 is a front right perspective view of a watch showing my new design;

FIG. 2 is a front view thereof;

FIG. 3 is a rear view thereof;

FIG. 4 is a left side view thereof;

FIG. 5 is a right side view thereof;

FIG. 6 is a top view thereof;

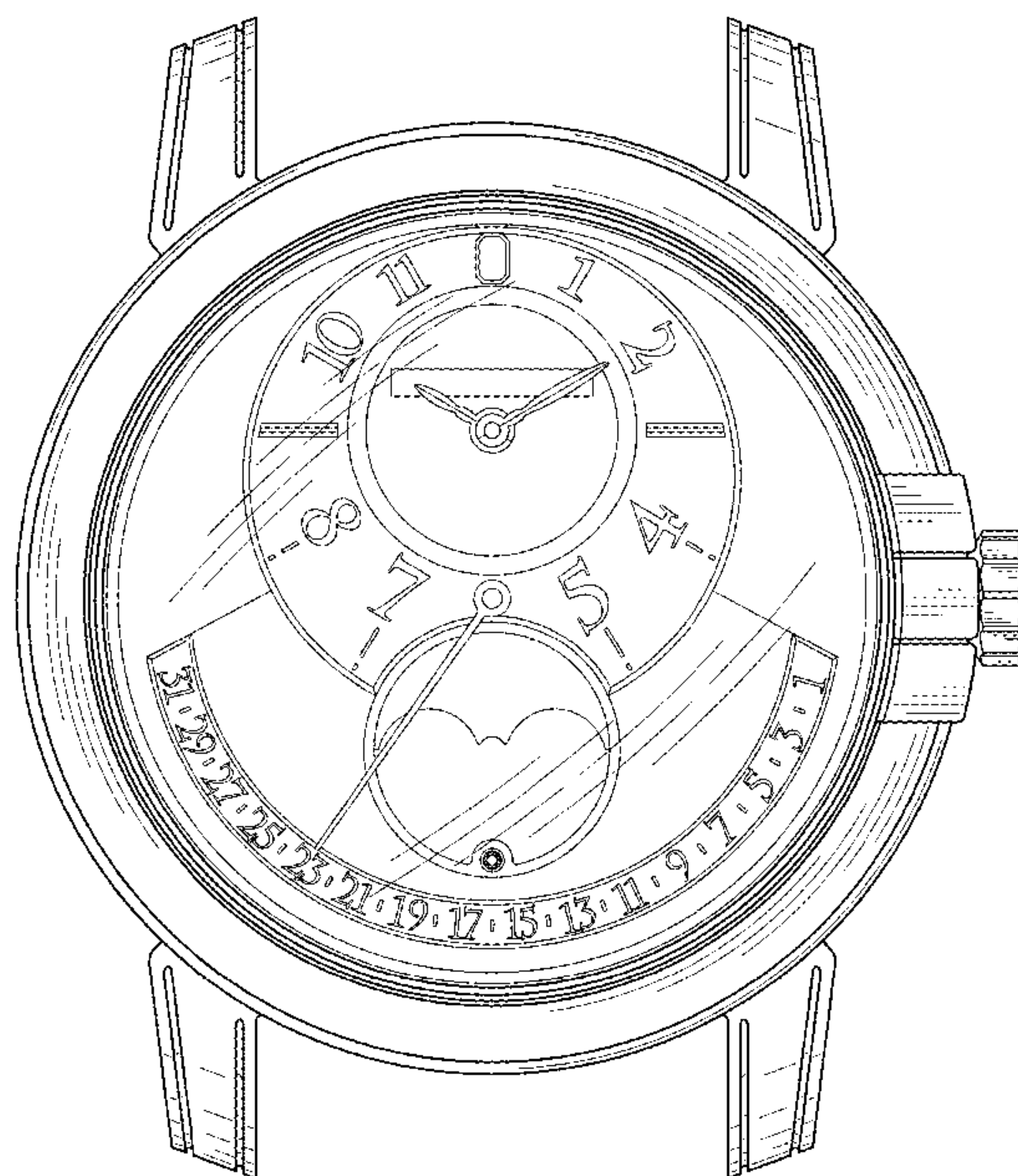
FIG. 7 is a bottom view thereof;

FIG. 8 is a rear left perspective view thereof;

FIG. 9 is a front left perspective view thereof; and,

FIG. 10 is a rear right perspective view thereof.

1 Claim, 8 Drawing Sheets



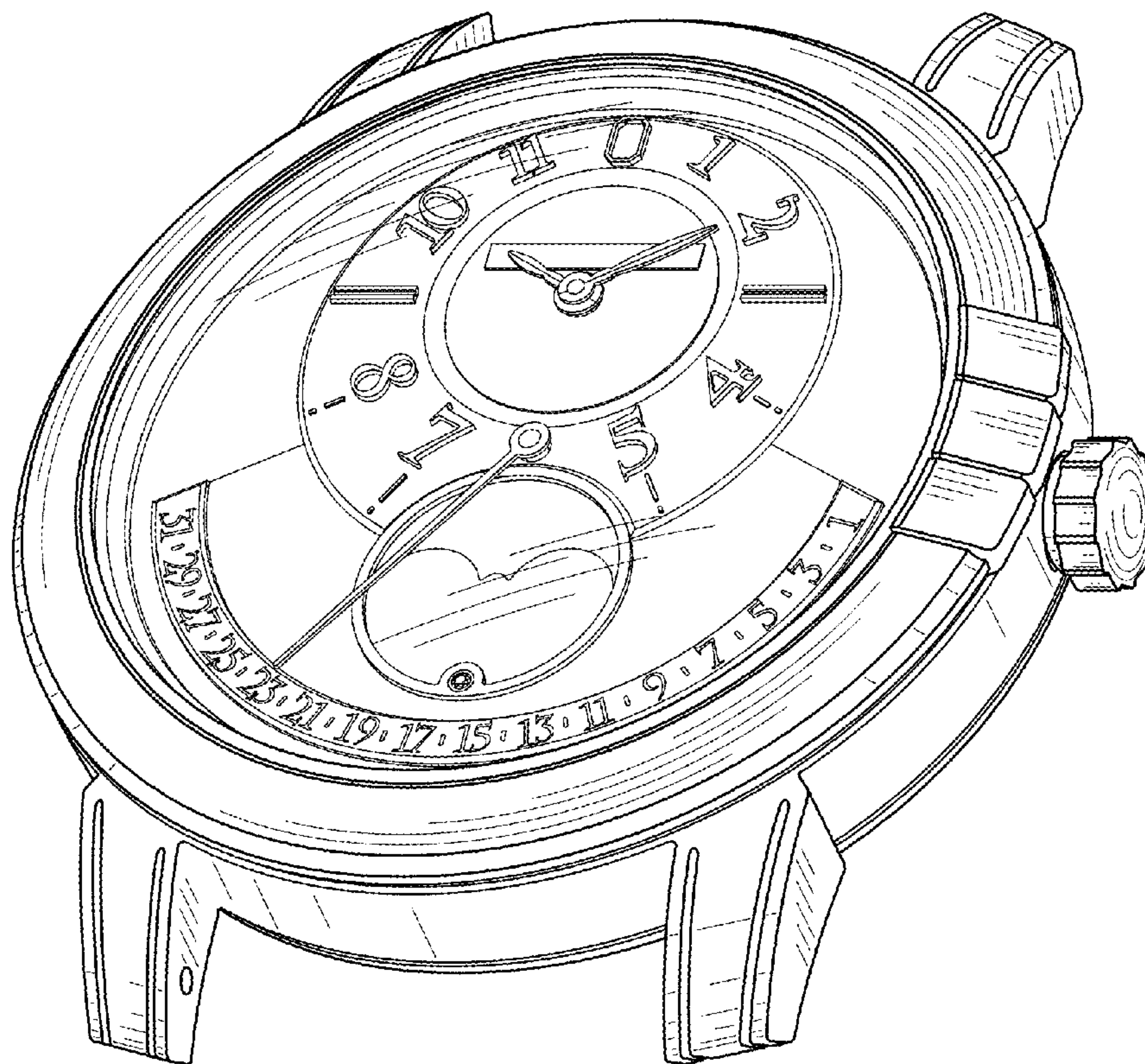


FIG. 1

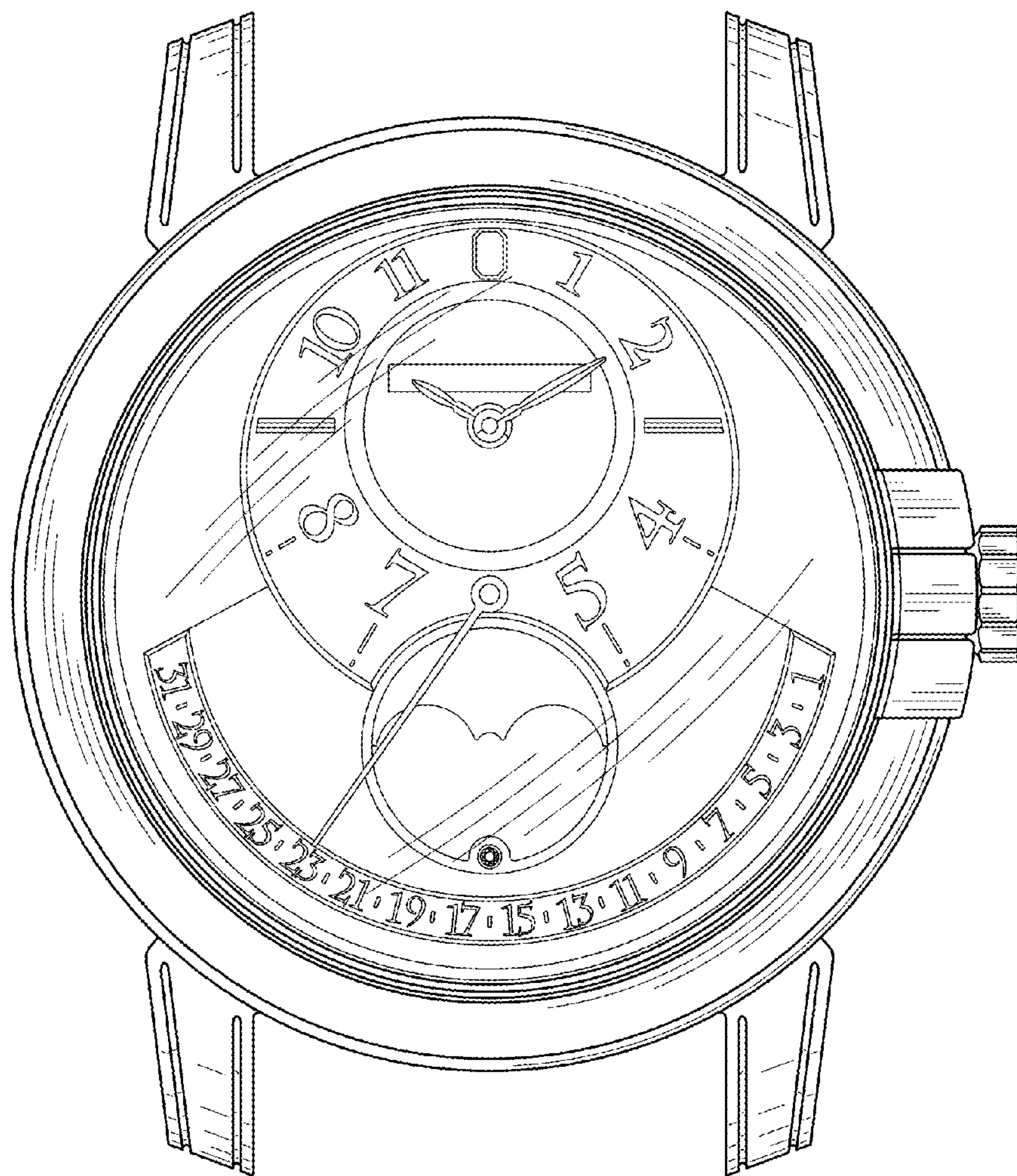


FIG. 2

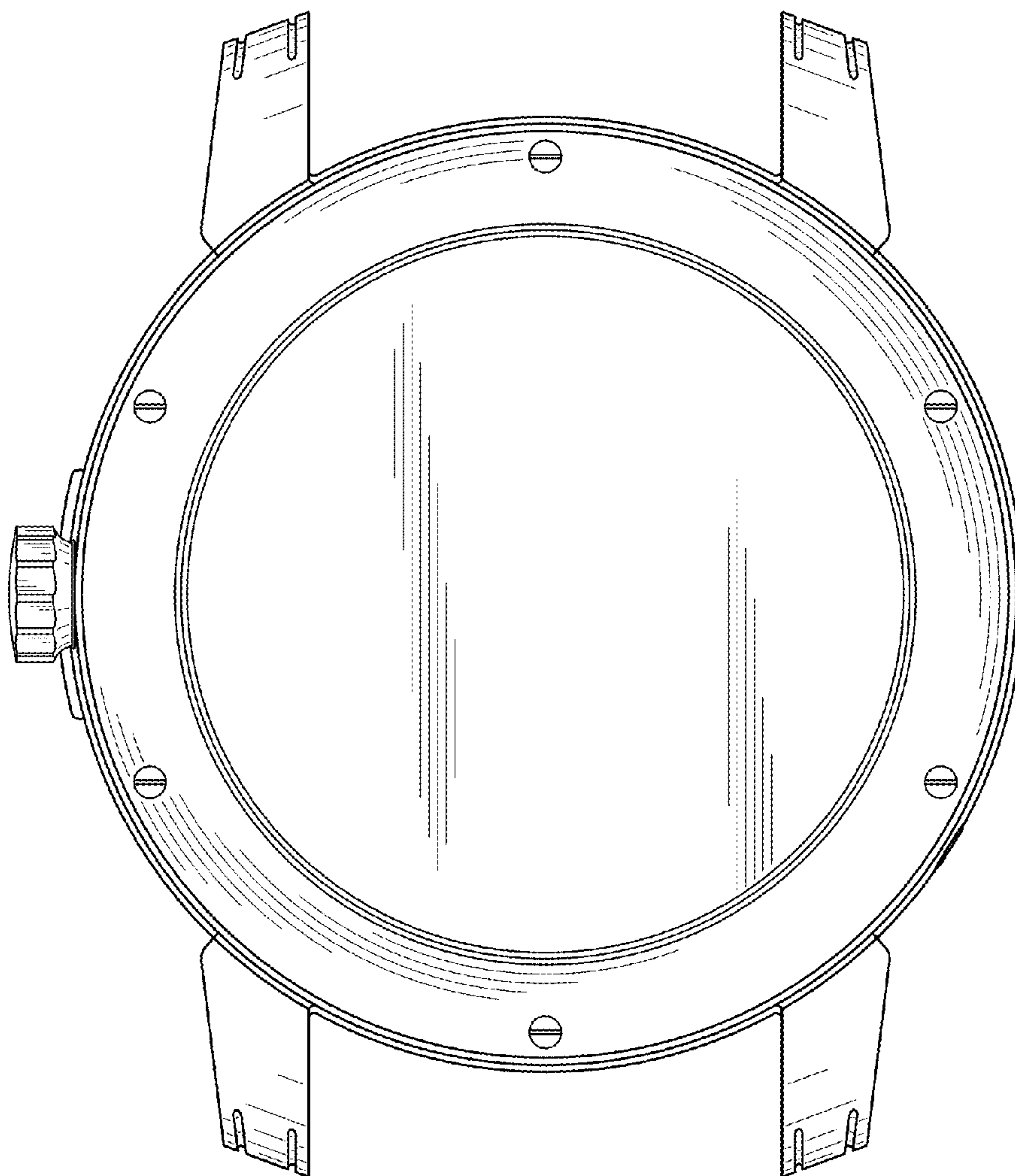


FIG. 3

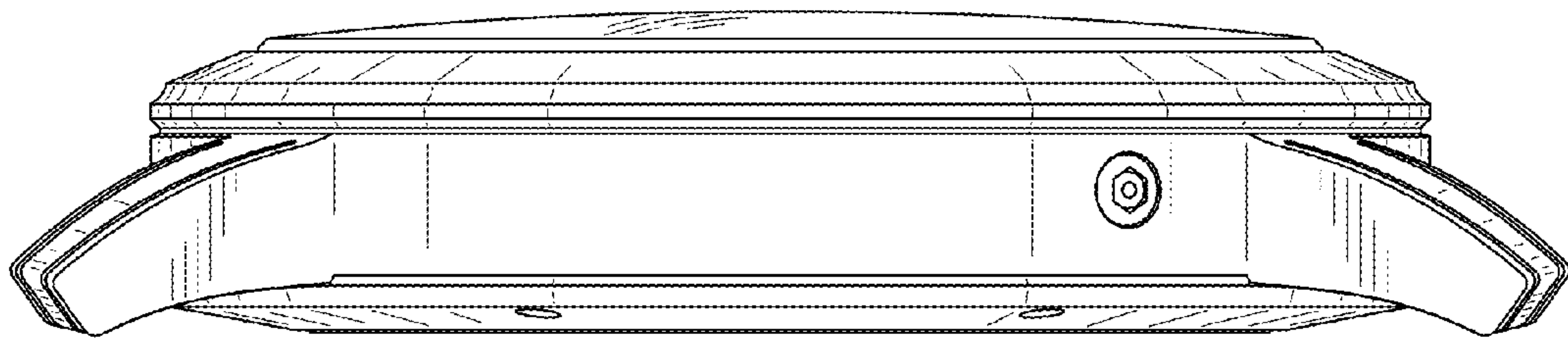


FIG. 4

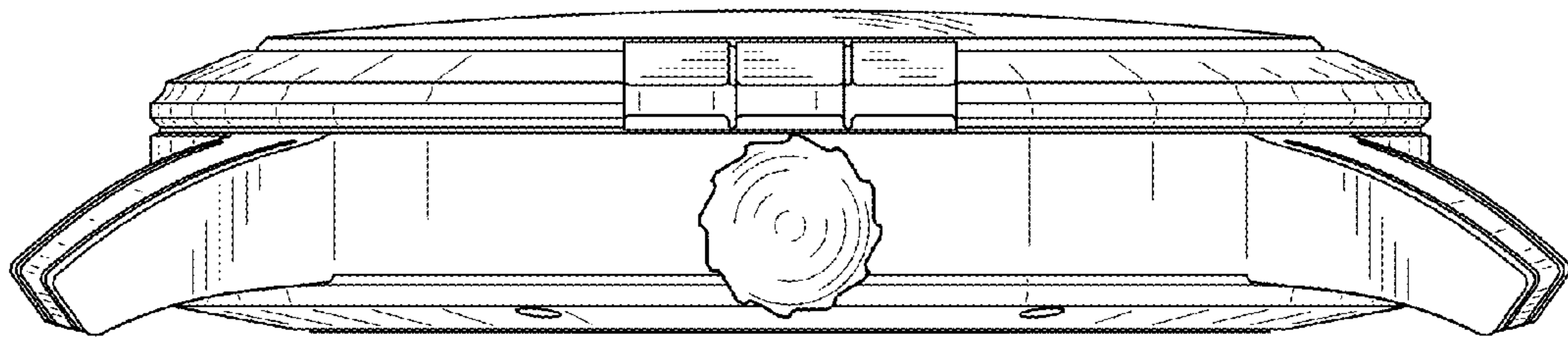


FIG. 5

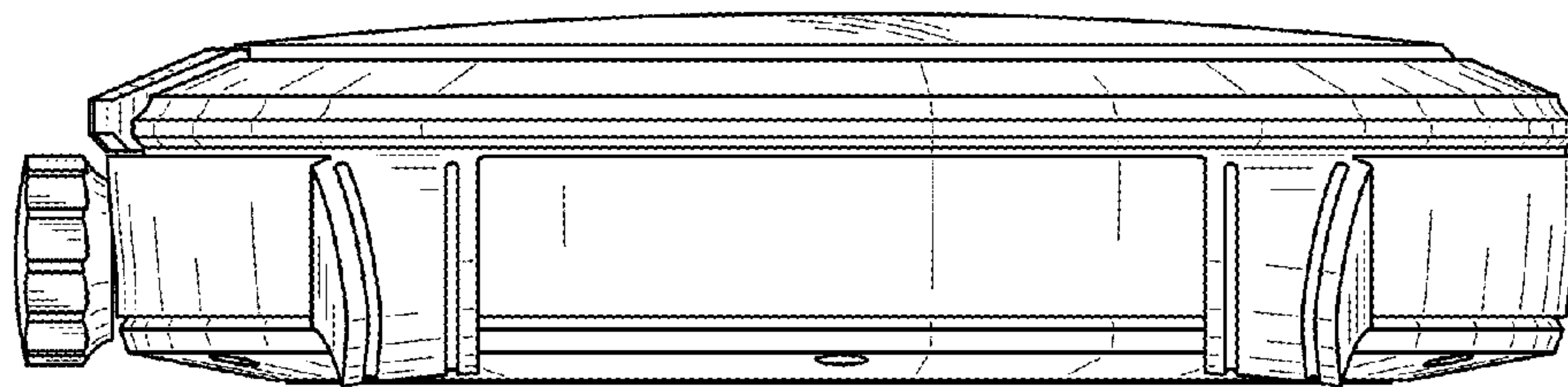


FIG. 6

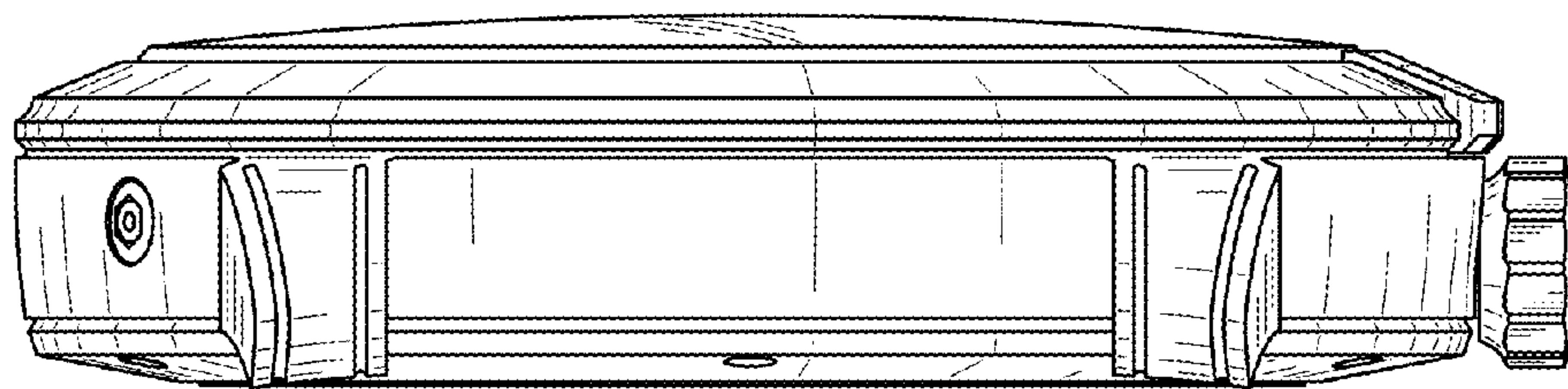


FIG. 7

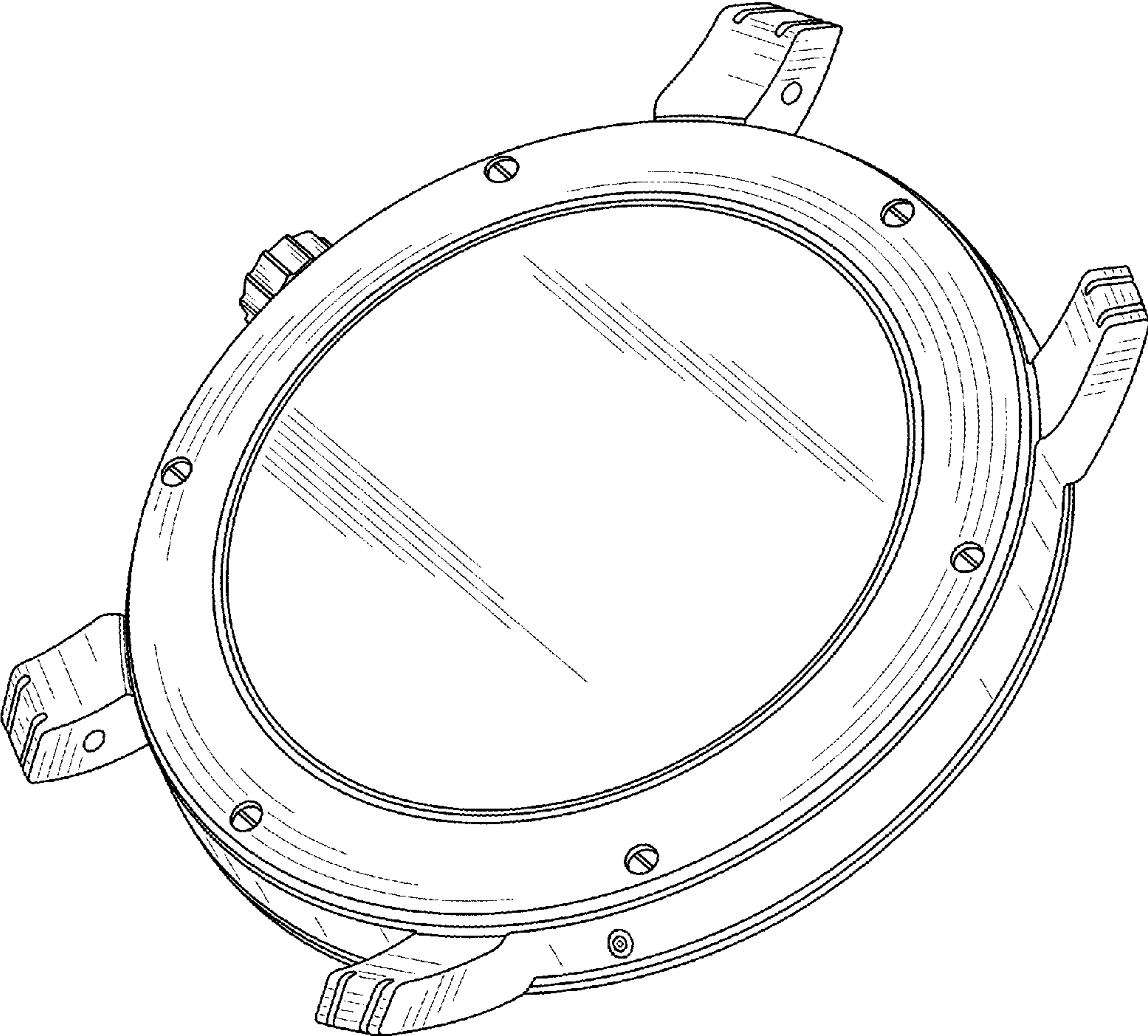


FIG. 8



FIG. 9

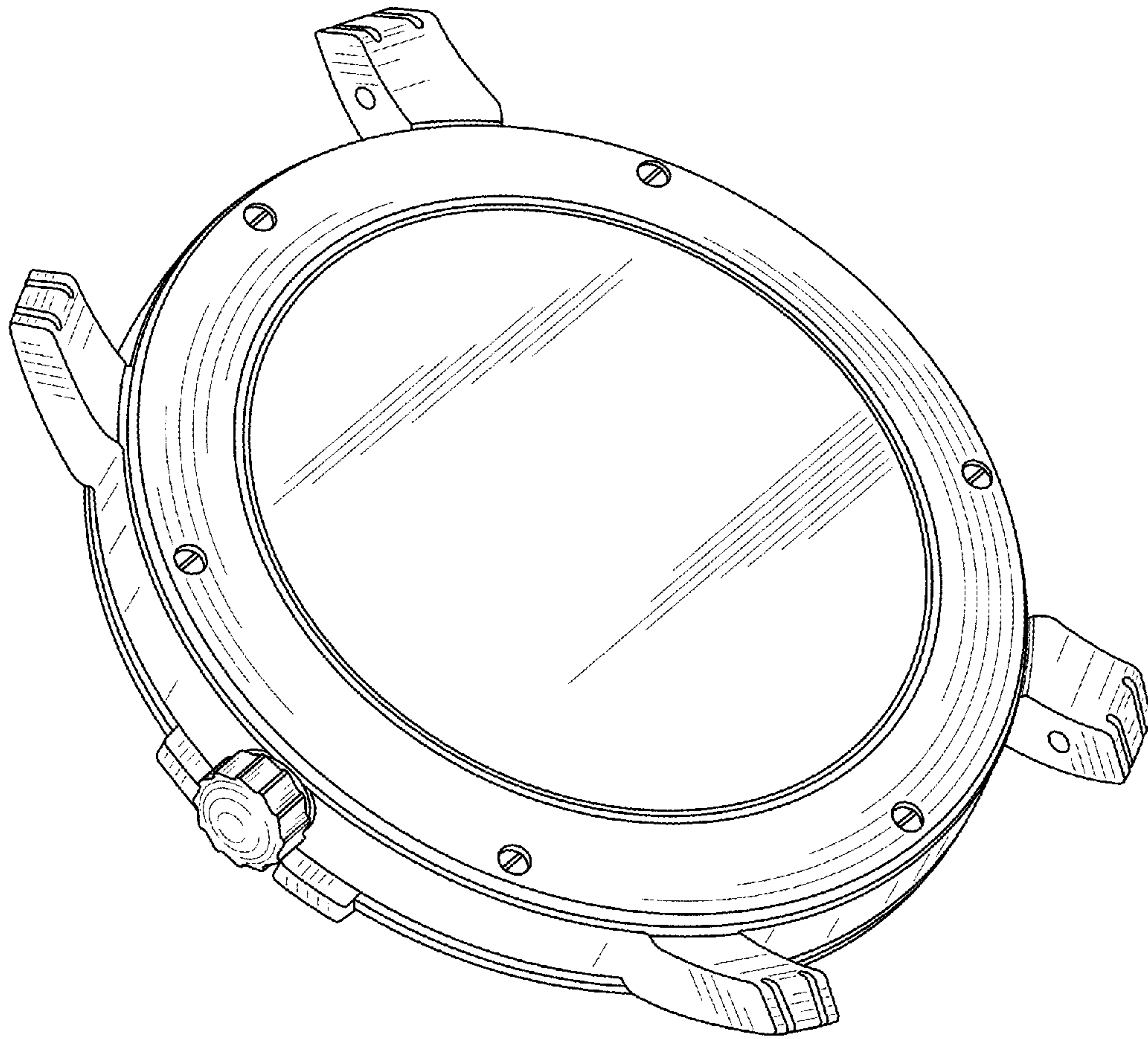


FIG. 10