



US00D726552S

(12) **United States Design Patent**
Awdeh

(10) **Patent No.:** **US D726,552 S**

(45) **Date of Patent:** **** Apr. 14, 2015**

(54) **LIQUID CONTAINER**

(71) Applicant: **Richard M. Awdeh**, Miami, FL (US)

(72) Inventor: **Richard M. Awdeh**, Miami, FL (US)

(73) Assignee: **Cirle**, Miami, FL (US)

(**) Term: **14 Years**

(21) Appl. No.: **29/470,264**

(22) Filed: **Oct. 18, 2013**

(51) **LOC (10) Cl.** **09-01**

(52) **U.S. Cl.**
USPC **D9/724**

(58) **Field of Classification Search**
USPC D6/512, 515; D9/504, 516, 522, 529,
D9/549, 550, 556, 558, 723, 724; D28/4,
D28/7, 9, 73, 76, 85
See application file for complete search history.

(56) **References Cited**

U.S. PATENT DOCUMENTS

3,312,255 A * 4/1967 Miller 141/24
D362,808 S * 10/1995 Scott et al. D9/560

D516,430 S * 3/2006 Ruiz D9/504
D548,084 S * 8/2007 Dittmer et al. D9/504
D557,606 S * 12/2007 Rashid D9/500
D582,282 S * 12/2008 Althoff et al. D9/522
D619,460 S * 7/2010 Beckerman D9/500

* cited by examiner

Primary Examiner — Derrick Holland

Assistant Examiner — Janice Lim

(74) *Attorney, Agent, or Firm* — Thomas | Horstemeyer,
LLP

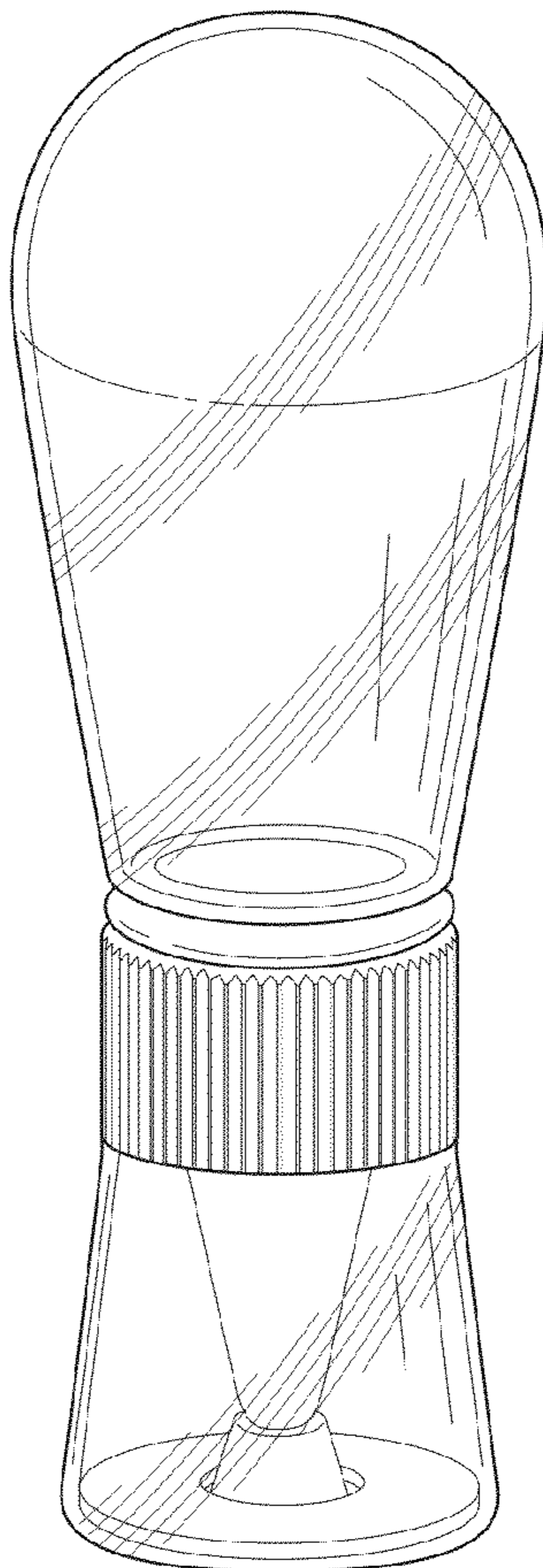
(57) **CLAIM**

The ornamental design of a liquid container, as shown and described.

DESCRIPTION

FIG. 1 is a top side perspective view of a liquid container, showing my new design;
FIG. 2 is a side view thereof;
FIG. 3 is a top view thereof;
FIG. 4 is a bottom view thereof;
FIG. 5 is an exploded top perspective view thereof; and,
FIG. 6 is an exploded bottom perspective view thereof.

1 Claim, 4 Drawing Sheets



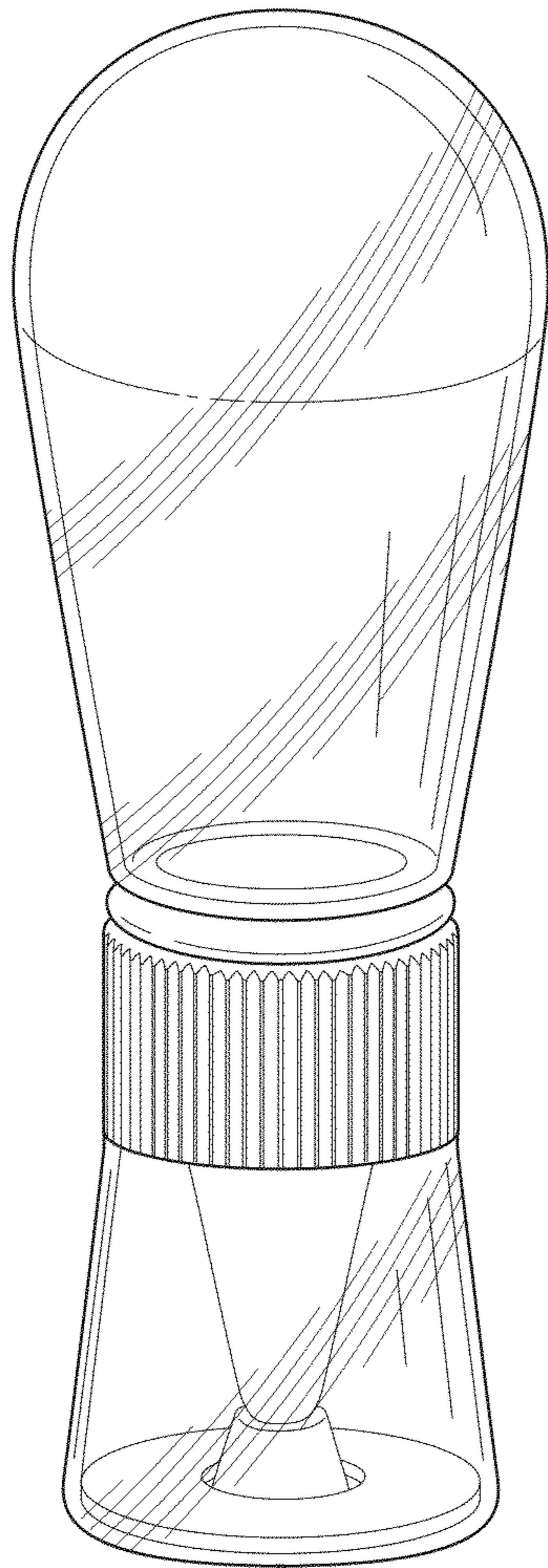


FIG. 1

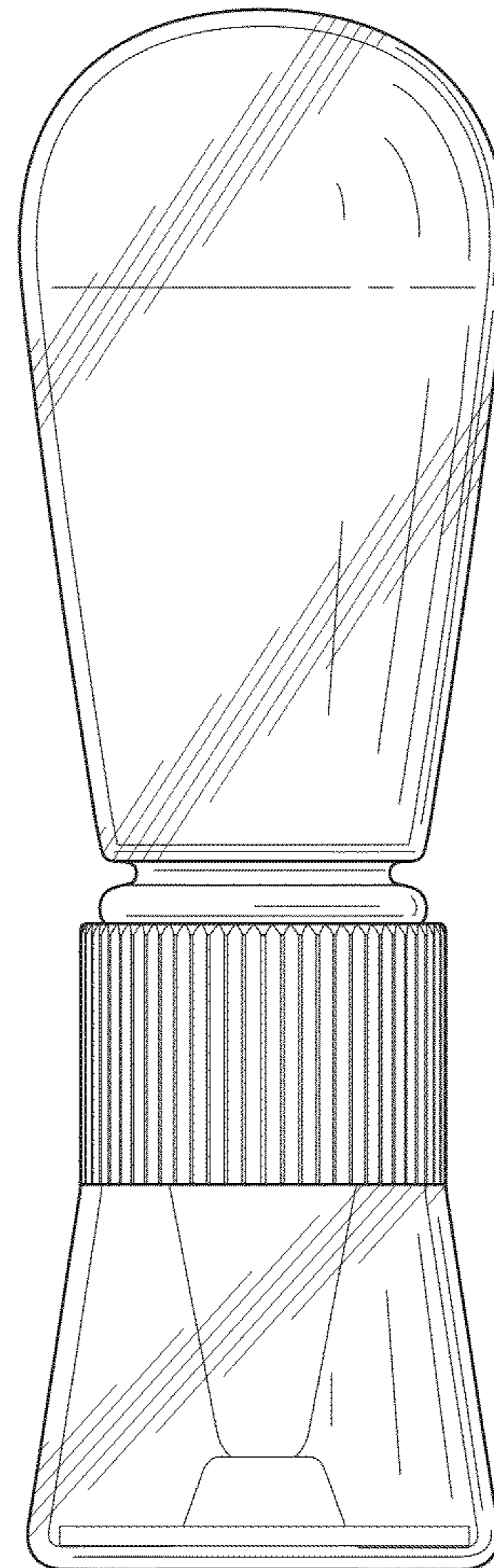


FIG. 2

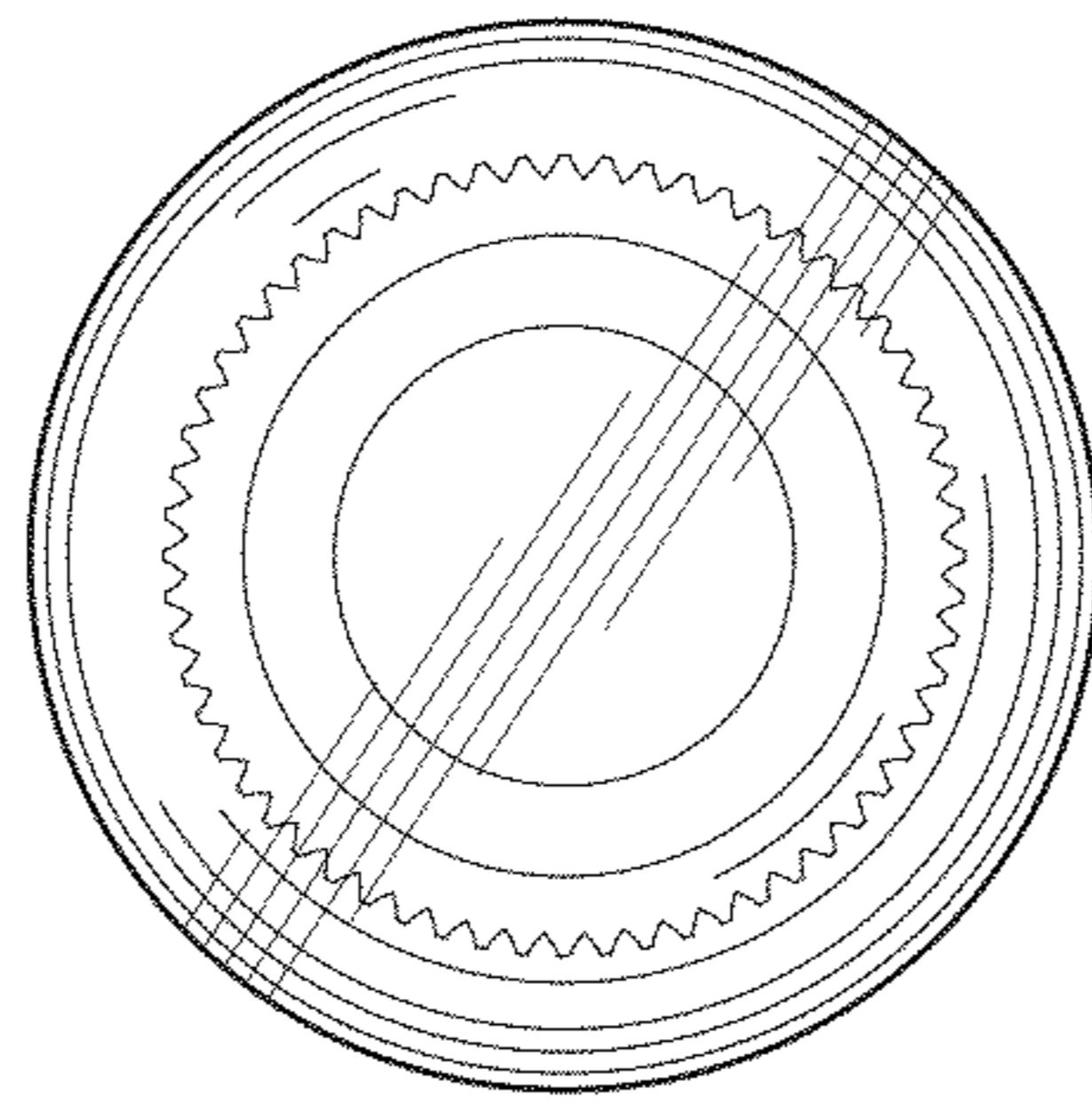


FIG. 3

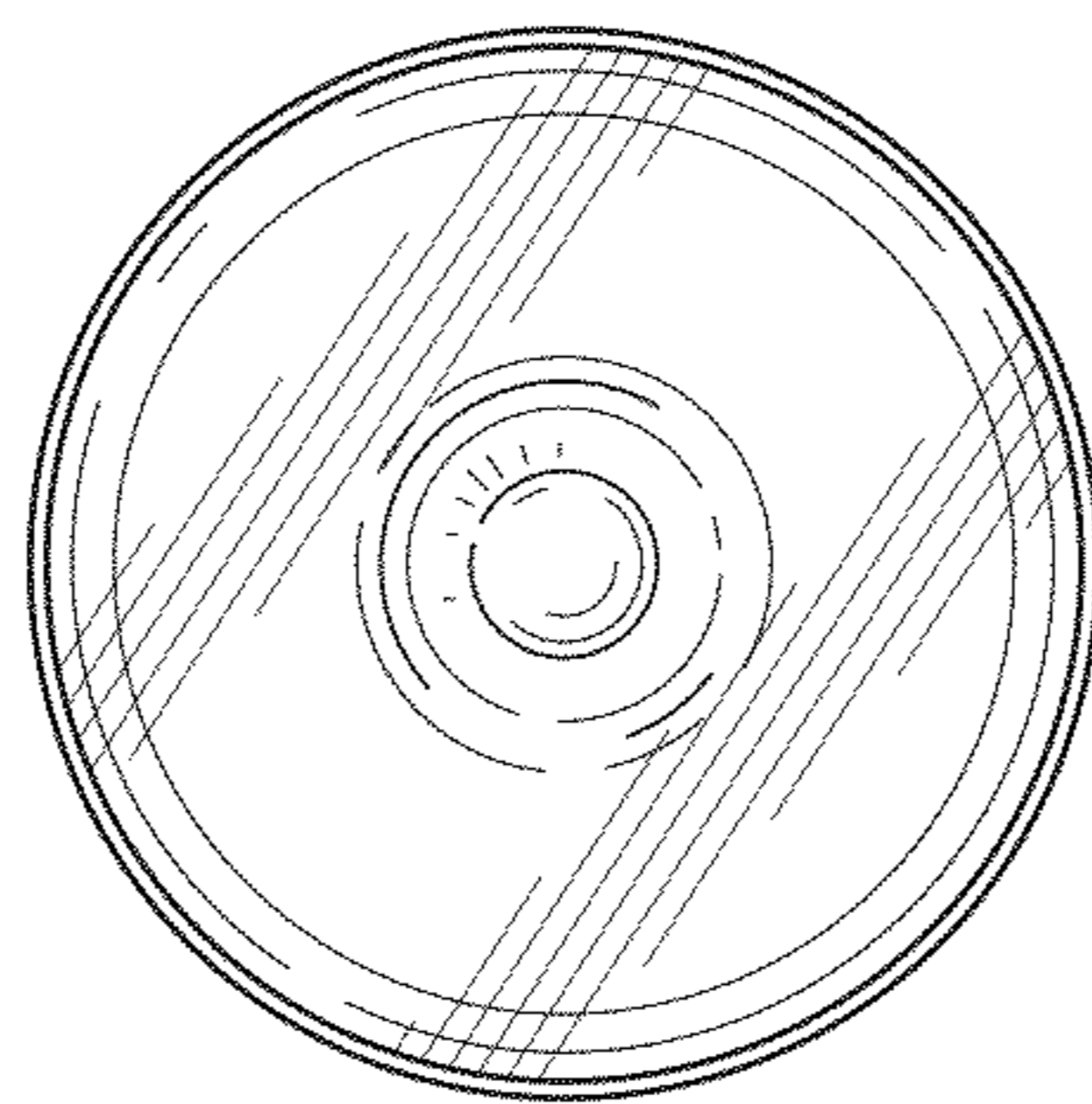


FIG. 4

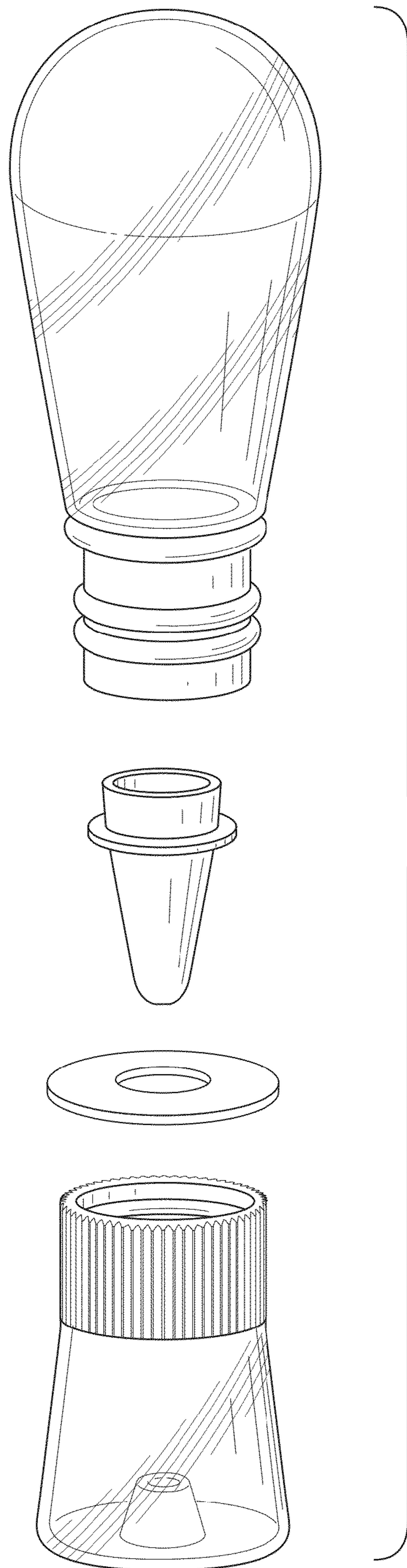


FIG. 5

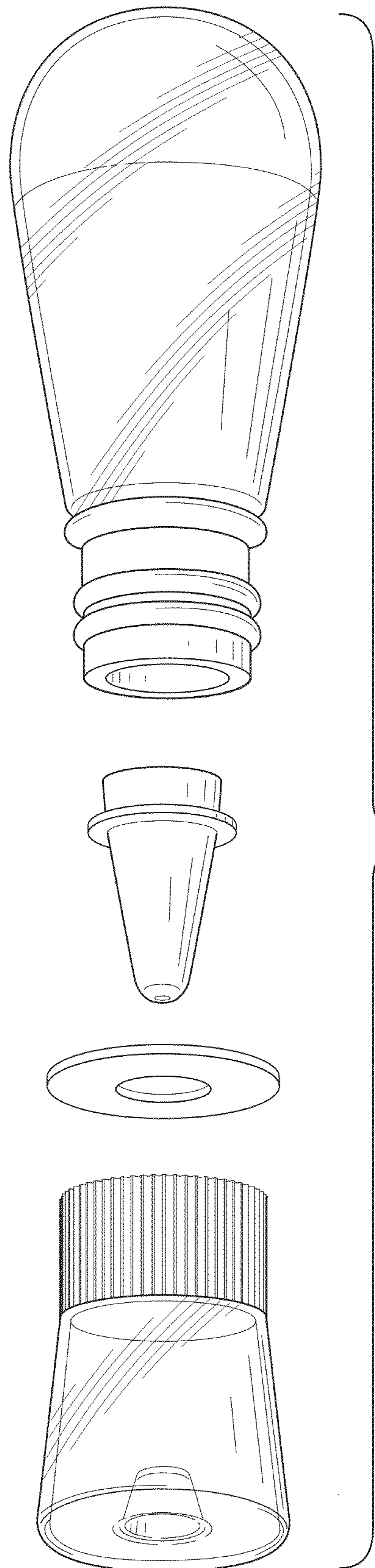


FIG. 6