



US00D726551S

(12) **United States Design Patent**  
**Pappalardo**

(10) **Patent No.:** **US D726,551 S**  
(45) **Date of Patent:** **\*\* Apr. 14, 2015**

- (54) **DISPENSING ASSEMBLY**
- (71) Applicant: **Nordson Corporation**, Westlake, OH (US)
- (72) Inventor: **Matthew E. Pappalardo**, Ewing, NJ (US)
- (73) Assignee: **Nordson Corporation**, Westlake, OH (US)

- D262,149 S 12/1981 Plaut
- D286,380 S 10/1986 Harman
- D318,233 S 7/1991 Ackerman
- D321,252 S \* 10/1991 Jepson et al. .... D24/112
- D328,244 S 7/1992 Hamilton et al.
- D332,221 S 1/1993 Willems
- D335,809 S 5/1993 Reifenberger
- 5,228,599 A 7/1993 Keller
- D342,136 S \* 12/1993 Lafferty et al. .... D24/138
- D358,295 S 5/1995 Moench
- D358,329 S 5/1995 Dickie
- 5,462,204 A 10/1995 Finn

(\*\*) Term: **14 Years**

(Continued)

(21) Appl. No.: **29/460,871**

**FOREIGN PATENT DOCUMENTS**

(22) Filed: **Jul. 16, 2013**

EP 2407249 A1 1/2012

**Related U.S. Application Data**

*Primary Examiner* — Derrick Holland

(60) Division of application No. 29/437,504, filed on Nov. 16, 2012, now Pat. No. Des. 688,952, and a continuation-in-part of application No. 13/664,512, filed on Oct. 31, 2012.

*Assistant Examiner* — Janice Lim

(74) *Attorney, Agent, or Firm* — Wood, Herron & Evans, L.L.P.

(51) **LOC (10) Cl.** ..... **09-01**

(57) **CLAIM**

The ornamental design for a dispensing assembly, as shown and described.

(52) **U.S. Cl.**

USPC ..... **D9/724**

**DESCRIPTION**

(58) **Field of Classification Search**

USPC ..... D3/202, 203.1; D6/512, 515; D9/512, D9/515, 516, 529, 549, 550, 556, 558, 571, D9/723-725, 727; D24/100, 108, 115; D28/4, 7, 9, 73, 76, 85; 206/385; 222/1, 71, 173

FIG. 1 is a top front perspective view of a dispensing assembly, showing my new design.

FIG. 2 is a front view thereof.

FIG. 3 is a right side view thereof, and the left side view being a mirror image thereof.

FIG. 4 is a rear view thereof.

FIG. 5 is a cross-sectional view thereof, taken along the line 5-5 of FIG. 4, and the opposite cross-sectional view being a mirror image thereof.

FIG. 6 is a top view thereof; and,

FIG. 7 is a bottom view thereof.

The broken lines portions in FIGS. 1-7 are included to show unclaimed subject matter only and form no part of the claimed design.

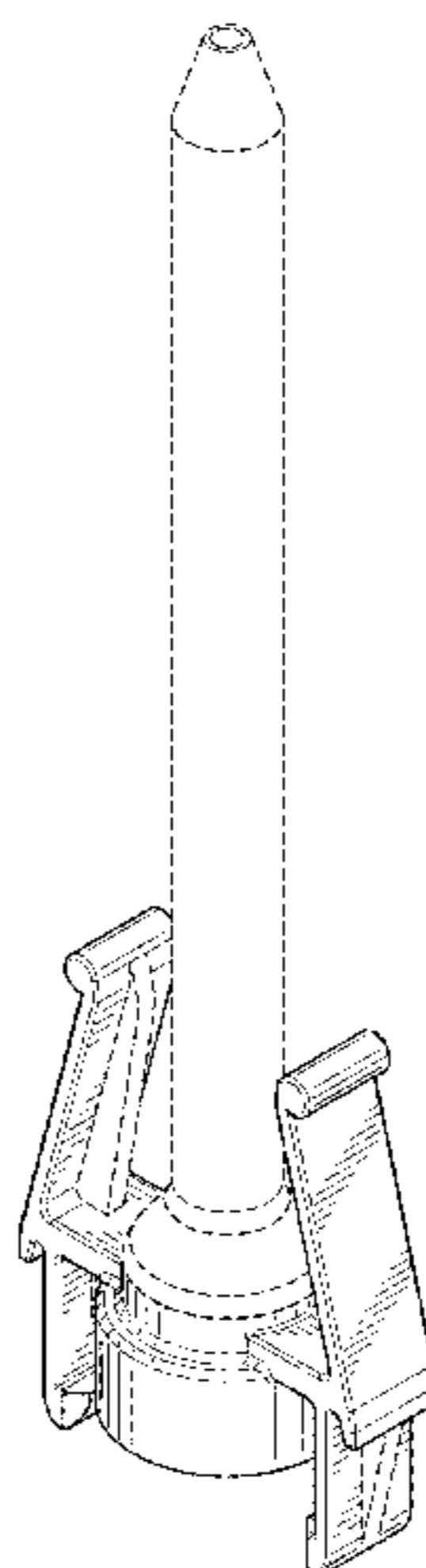
See application file for complete search history.

(56) **References Cited**

**U.S. PATENT DOCUMENTS**

- D167,725 S 9/1952 Soffer
- 2,681,463 A 6/1954 Mayor
- D199,606 S 11/1964 Waterman
- D204,103 S 3/1966 Lydon
- D225,838 S 1/1973 Filder
- D242,327 S 11/1976 Schneider

**1 Claim, 3 Drawing Sheets**



(56)

**References Cited**

U.S. PATENT DOCUMENTS

5,810,792 A *	9/1998	Fangrow et al. ....	604/533	D566,547 S *	4/2008	Lacov .....	D9/435
5,918,772 A	7/1999	Keller et al.		7,481,333 B2	1/2009	Goldberg et al.	
D427,309 S *	6/2000	Molina .....	D24/129	7,631,782 B2	12/2009	Engelbrecht et al.	
6,186,363 B1	2/2001	Keller et al.		7,717,357 B2	5/2010	Gantenbein et al.	
D440,654 S	4/2001	Mark		D633,384 S	3/2011	Tanaka	
D462,268 S	9/2002	Schroeder et al.		D659,244 S	5/2012	Hermle	
D471,797 S	3/2003	Guerrera et al.		D660,695 S	5/2012	Ishizawa et al.	
D480,959 S *	10/2003	Dewood .....	D9/723	D661,598 S	6/2012	Battisti	
D485,577 S	1/2004	Lord et al.		2001/0021823 A1 *	9/2001	Nemoto .....	604/154
6,769,574 B1	8/2004	Keller		2005/0035153 A1	2/2005	Brown	
7,316,330 B2	1/2008	Muller et al.		2005/0230422 A1	10/2005	Muller et al.	
				2010/0102088 A1	4/2010	Keller	
				2010/0102477 A1	4/2010	Helie et al.	
				2010/0206905 A1	8/2010	Horner et al.	

\* cited by examiner

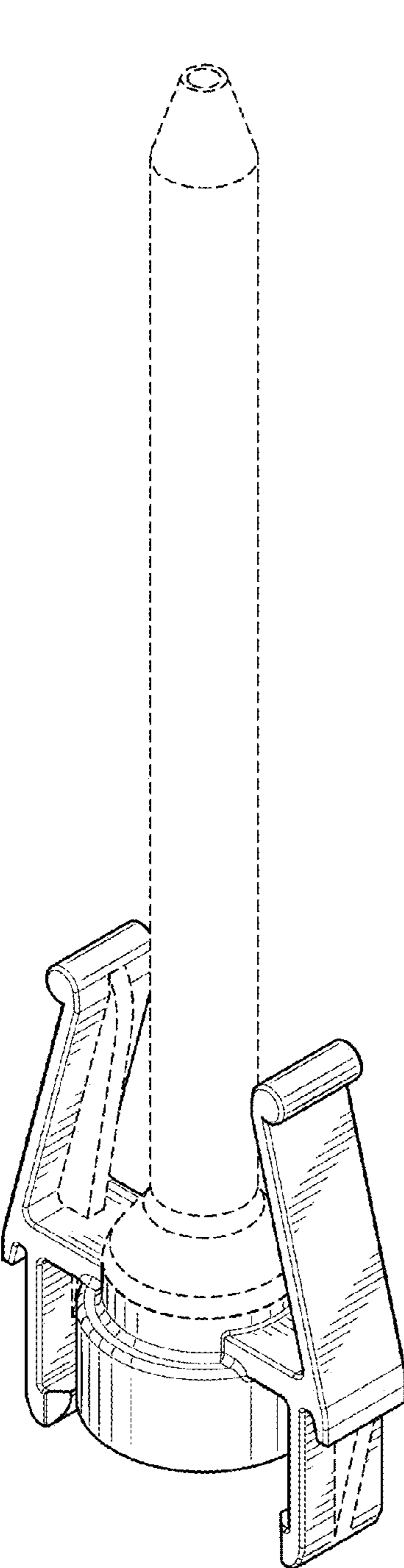


FIG. 1

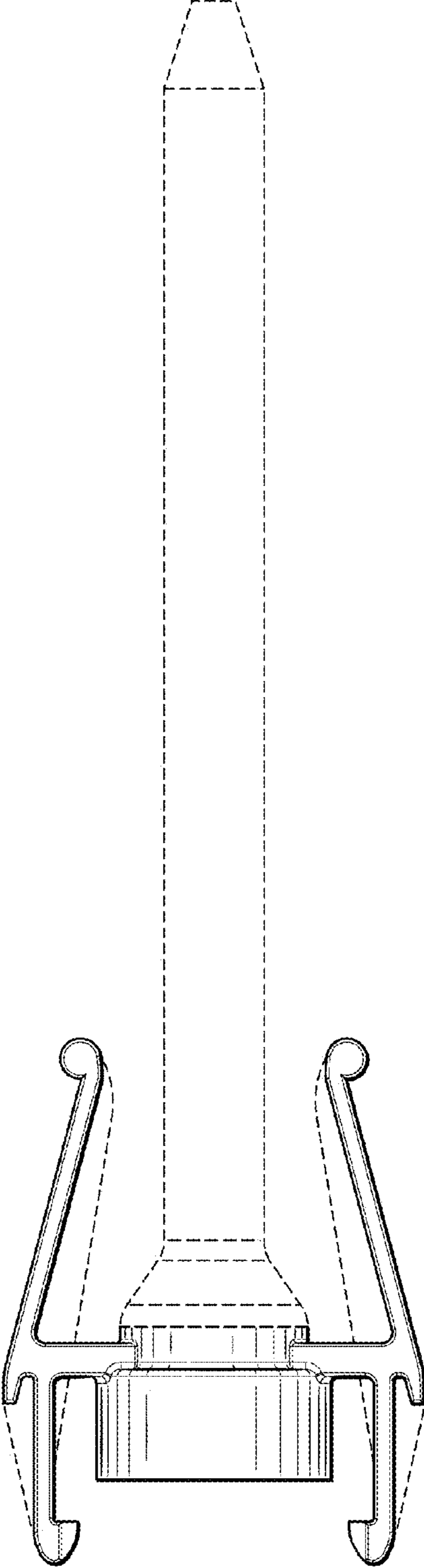


FIG. 2

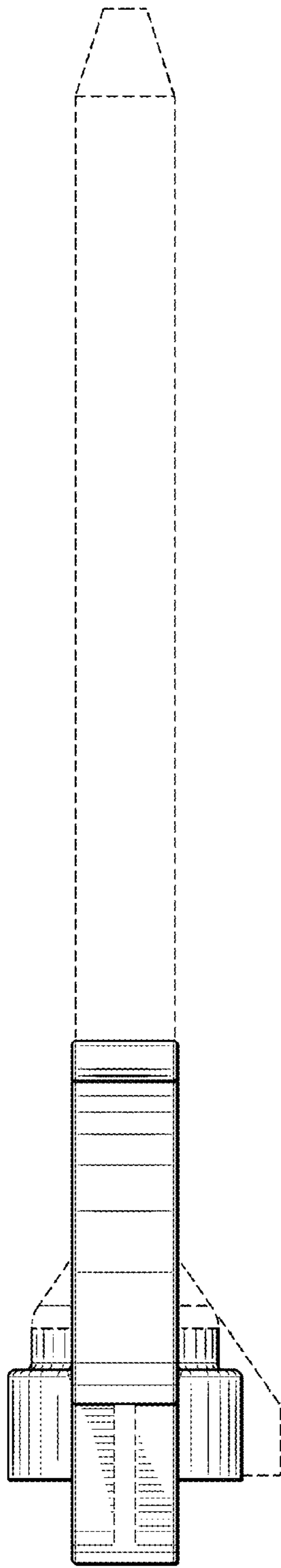


FIG. 3

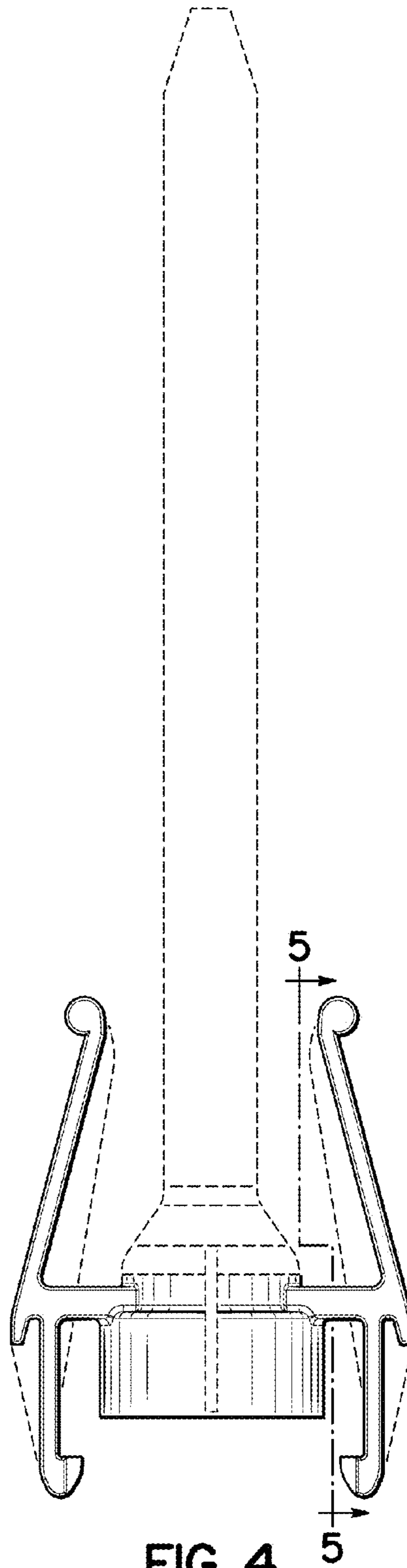


FIG. 4

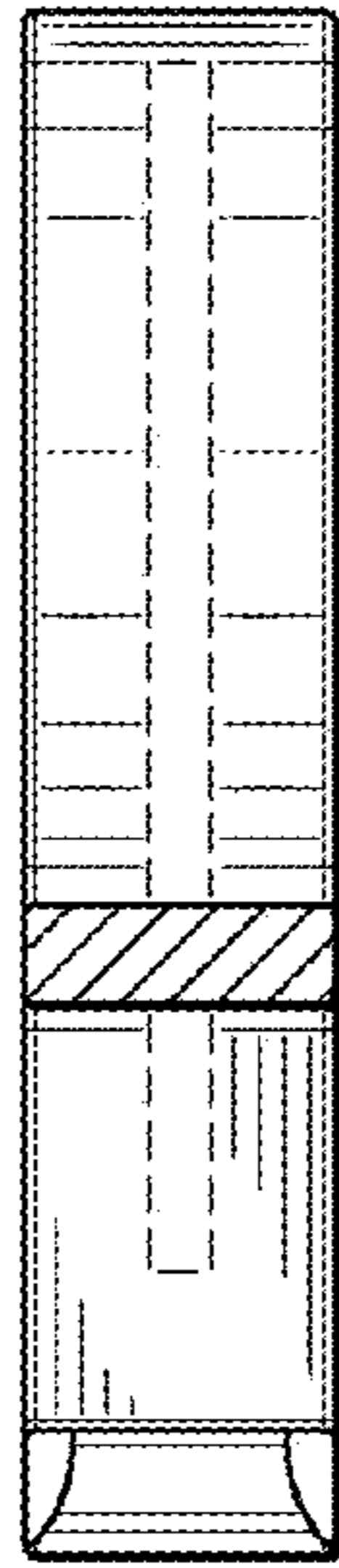


FIG. 5

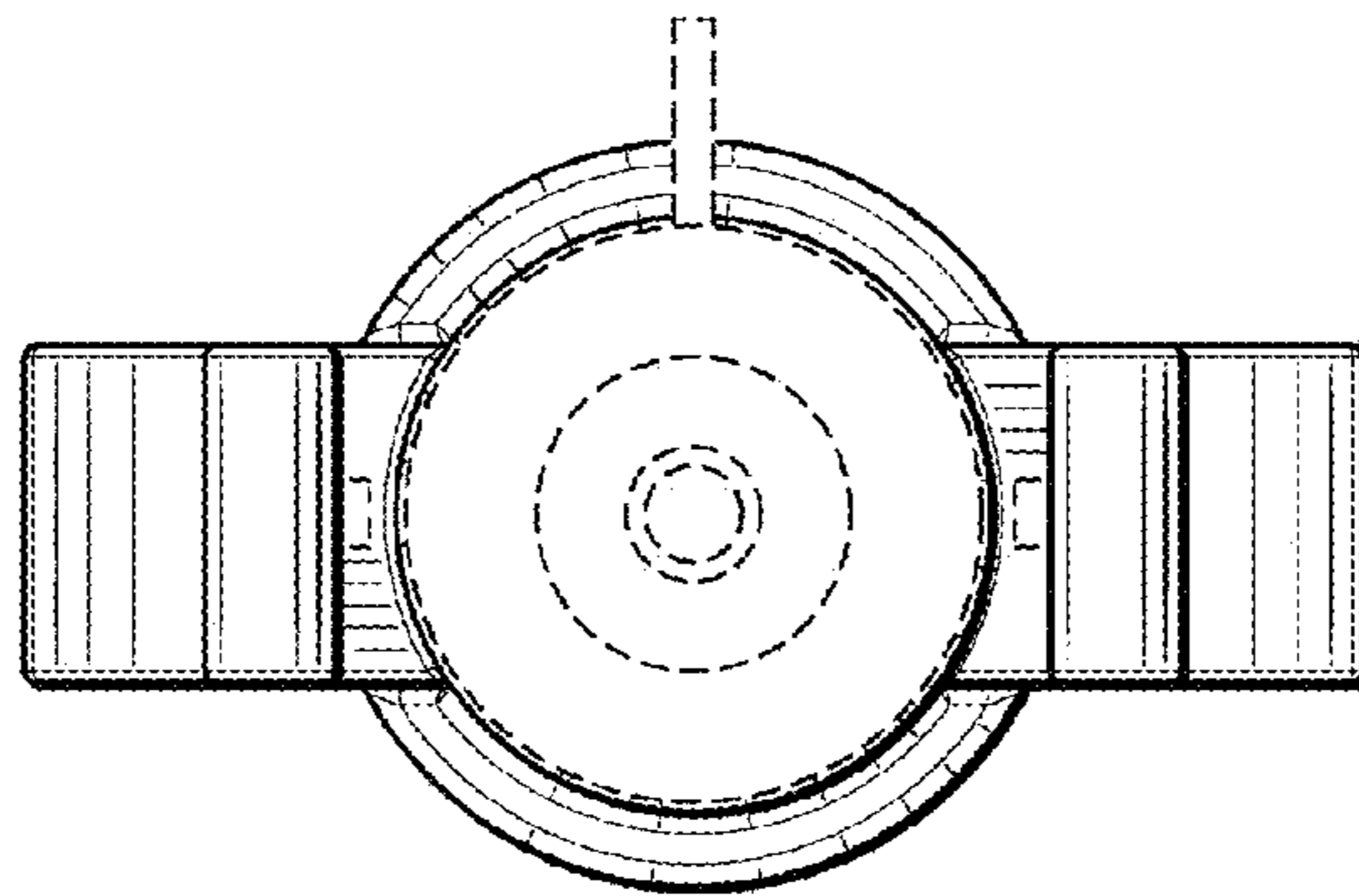


FIG. 6

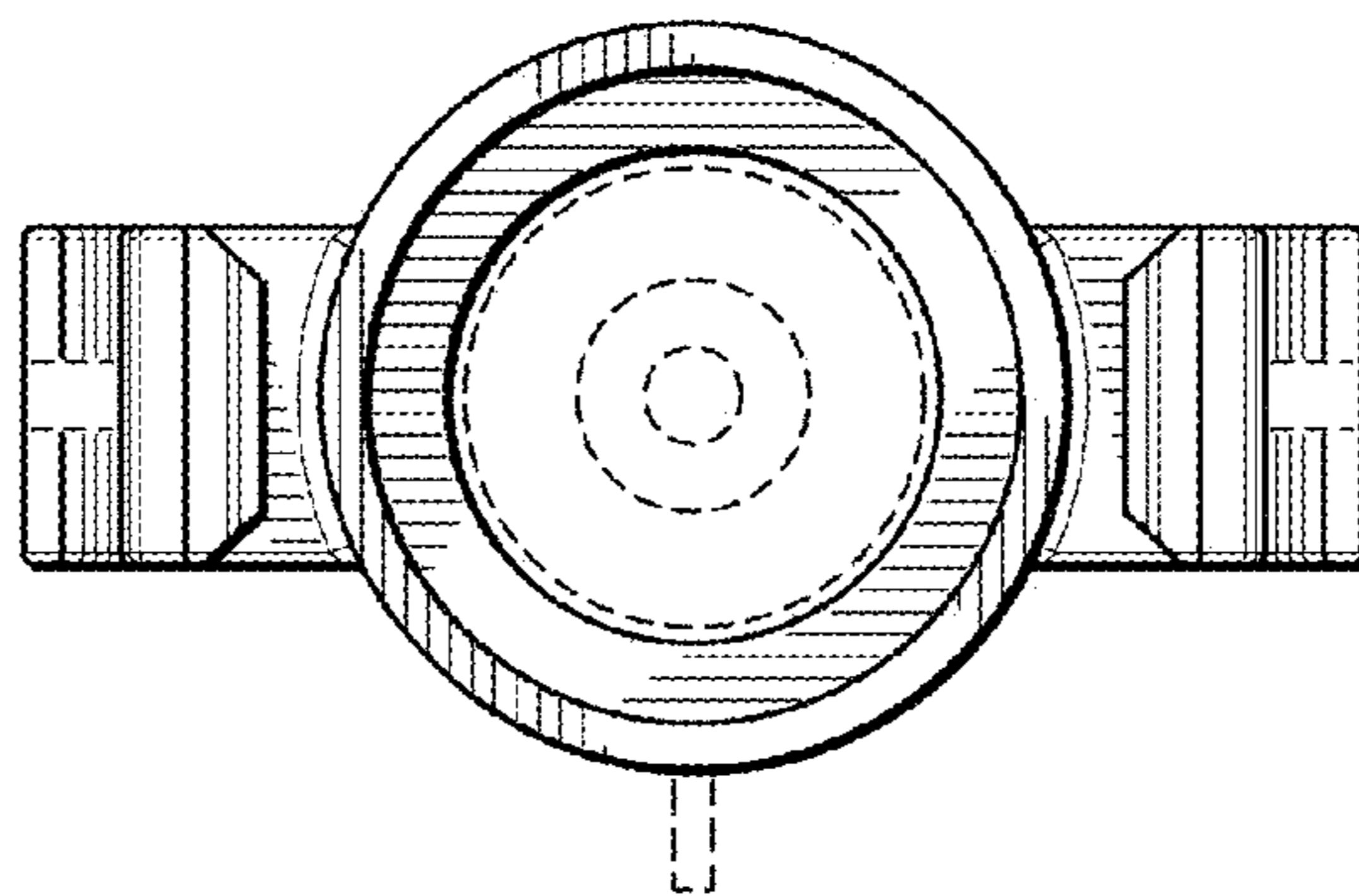


FIG. 7