



US00D726549S

(12) **United States Design Patent**
Marotti et al.

(10) **Patent No.:** **US D726,549 S**
(45) **Date of Patent:** **** *Apr. 14, 2015**

(54) **CONTAINER**

(71) Applicant: **The Procter & Gamble Company,**
Cincinnati, OH (US)

(72) Inventors: **Martin Jay Marotti,** Carmel, IN (US);
Juan Carlos Vinseiro, Mason, OH (US)

(73) Assignee: **The Procter & Gamble Company,**
Cincinnati, OH (US)

(*) Notice: This patent is subject to a terminal disclaimer.

(**) Term: **14 Years**

(21) Appl. No.: **29/441,914**

(22) Filed: **Jan. 10, 2013**

Related U.S. Application Data

(62) Division of application No. 29/401,947, filed on Sep. 19, 2011, now Pat. No. Des. 676,761.

(51) **LOC (10) Cl.** **09-03**

(52) **U.S. Cl.**
USPC **D9/696**

(58) **Field of Classification Search**
USPC D9/702-714, 695-699, 571, 516,
D9/521-522, 442-443, 447, 558, 526;
D24/115, 118, 110, 224, 121, 108,
D24/104; 206/528, 530; 222/215, 92, 107,
222/95; 604/415, 212, 317; 215/47-49,
215/DIG. 3, 382, 246, 380-381; D28/91.1,
D28/76-78, 82, 88; D3/203.1, 202;
40/310-311

See application file for complete search history.

(56) **References Cited**

U.S. PATENT DOCUMENTS

D47,434 S * 6/1915 Orem D9/544
D49,406 S * 7/1916 Vivaudou D9/542

(Continued)

Primary Examiner — Caron D Veynar

Assistant Examiner — Abraham Bahta

(74) *Attorney, Agent, or Firm* — James E. Oehlenschlager

(57) **CLAIM**

The ornamental design for a container, as shown and described.

DESCRIPTION

FIG. 1 is a front perspective view showing our new design for a container, the line shading being indicative of a transparent or translucent surface;

FIG. 2 is a front elevational view thereof;

FIG. 3 is a rear elevational view thereof;

FIGS. 4 and 5 are side elevational views thereof;

FIG. 6 is a top plan view thereof; and

FIG. 7 is a bottom view thereof;

FIG. 8 is a front perspective view showing an alternate embodiment of our new design, the line shading being indicative of a transparent or translucent surface and the stippling being indicative of a white or colored surface;

FIG. 9 is a front elevational view thereof;

FIG. 10 is a rear elevational view thereof;

FIGS. 11 and 12 are side elevational views thereof;

FIG. 13 is a top plan view thereof; and

FIG. 14 is a bottom view thereof;

FIG. 15 is a front perspective view showing an alternate embodiment of our new design, the stippling being indicative of a white or colored surface;

FIG. 16 is a front elevational view thereof;

FIG. 17 is a rear elevational view thereof;

FIGS. 18 and 19 are side elevational views thereof;

FIG. 20 is a top plan view thereof; and

FIG. 21 is a bottom view thereof;

FIG. 22 is a front perspective view showing an alternate embodiment of our new design in the color green;

FIG. 23 is a front elevational view thereof;

FIG. 24 is a rear elevational view thereof;

FIGS. 25 and 26 are side elevational views thereof;

FIG. 27 is a top plan view thereof; and

FIG. 28 is a bottom view thereof;

FIG. 29 is a front perspective view showing an alternate embodiment of our new design in the color blue;

FIG. 30 is a front elevational view thereof;

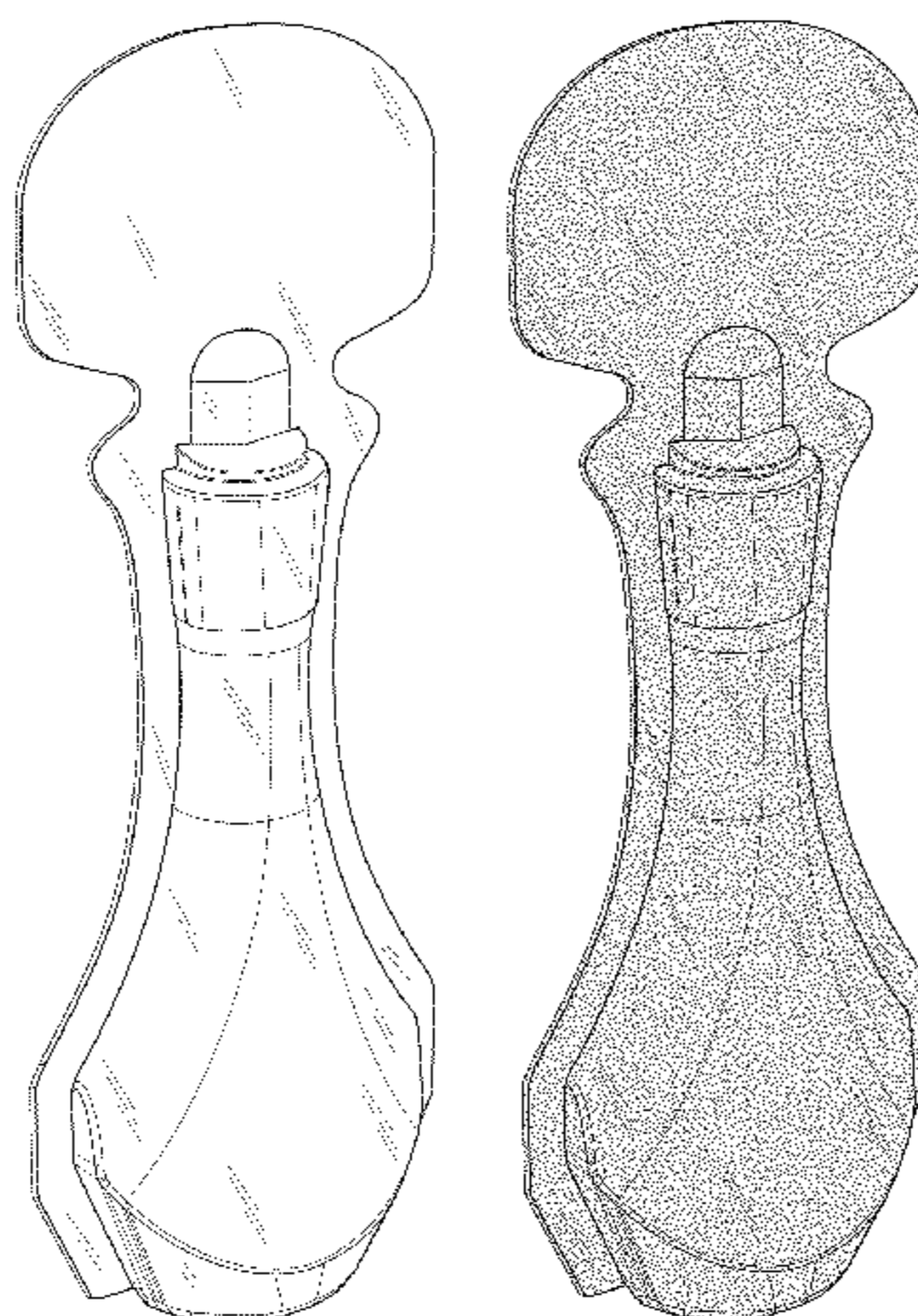
FIG. 31 is a rear elevational view thereof;

FIGS. 32 and 33 are side elevational views thereof;

FIG. 34 is a top plan view thereof; and,

FIG. 35 is a bottom view thereof.

1 Claim, 10 Drawing Sheets



(56)

References Cited

U.S. PATENT DOCUMENTS

D117,266 S *	10/1939	Gerhat	D9/500	D252,444 S *	7/1979	Torongo, Jr.	D9/542
D175,447 S *	8/1955	Tucker	D7/300	D253,166 S *	10/1979	Pardo	D9/542
D176,225 S *	11/1955	Morris	D9/529	D264,305 S *	5/1982	Pardo	D9/500
D187,820 S *	5/1960	Oradell	D9/552	D278,124 S *	3/1985	Coussie	D9/574
D202,219 S *	9/1965	Drummond et al.	D9/574	D282,529 S *	2/1986	Pereira et al.	D9/529
D207,350 S *	4/1967	Koenigsberg	D9/542	D399,752 S *	10/1998	Farmer et al.	D9/529
D211,005 S *	5/1968	Vanderhyde	D9/542	D414,703 S *	10/1999	Nosella	D9/563
D211,319 S *	6/1968	Jeronimus	D9/529	D530,620 S *	10/2006	Owens et al.	D9/566
D215,699 S *	10/1969	Horne et al.	D9/542	D531,044 S *	10/2006	Owens et al.	D9/566
D222,610 S *	11/1971	Plummer	D9/542	D531,045 S *	10/2006	Owens et al.	D9/566
D228,343 S *	9/1973	Kretz	D9/563	D531,515 S *	11/2006	Owens et al.	D9/566
D237,946 S *	12/1975	Pardo	D9/529	D533,072 S *	12/2006	Kelly	D9/566
D241,318 S *	9/1976	Lewman	D9/563	D591,607 S *	5/2009	Marotti et al.	D9/571
D243,442 S *	2/1977	Montgomery	D9/505	D642,064 S *	7/2011	Sutton	D9/544
				D650,678 S *	12/2011	Marotti	D9/516
				D656,828 S *	4/2012	Marotti	D9/516

* cited by examiner

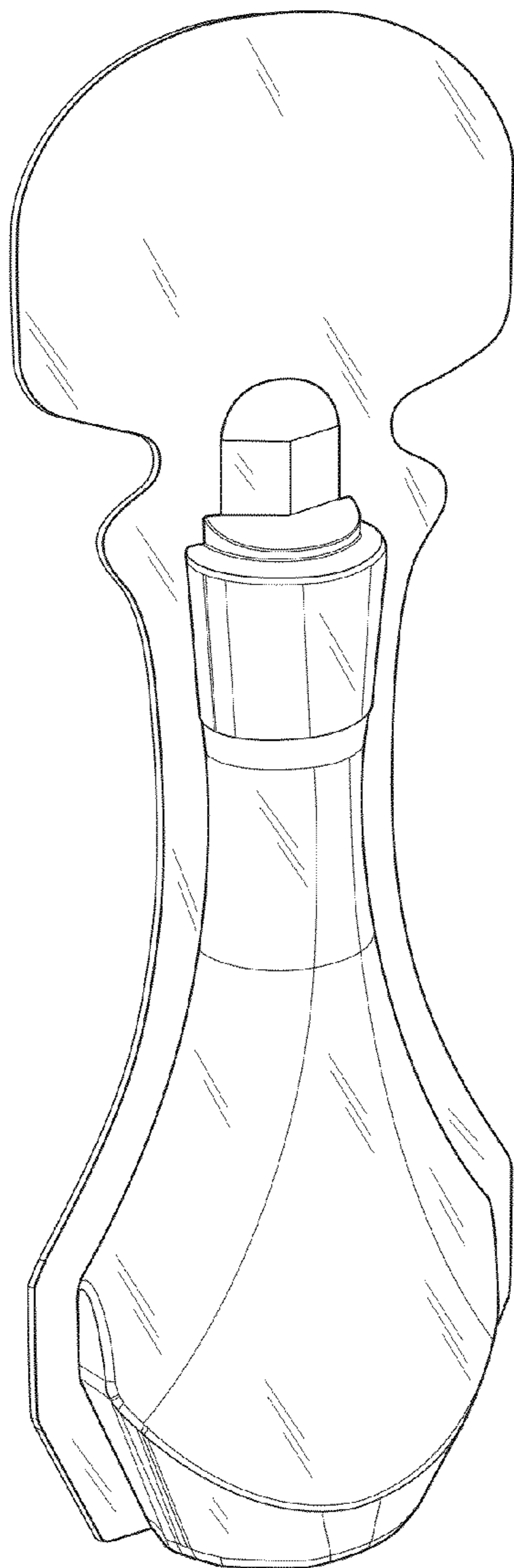


Fig. 1

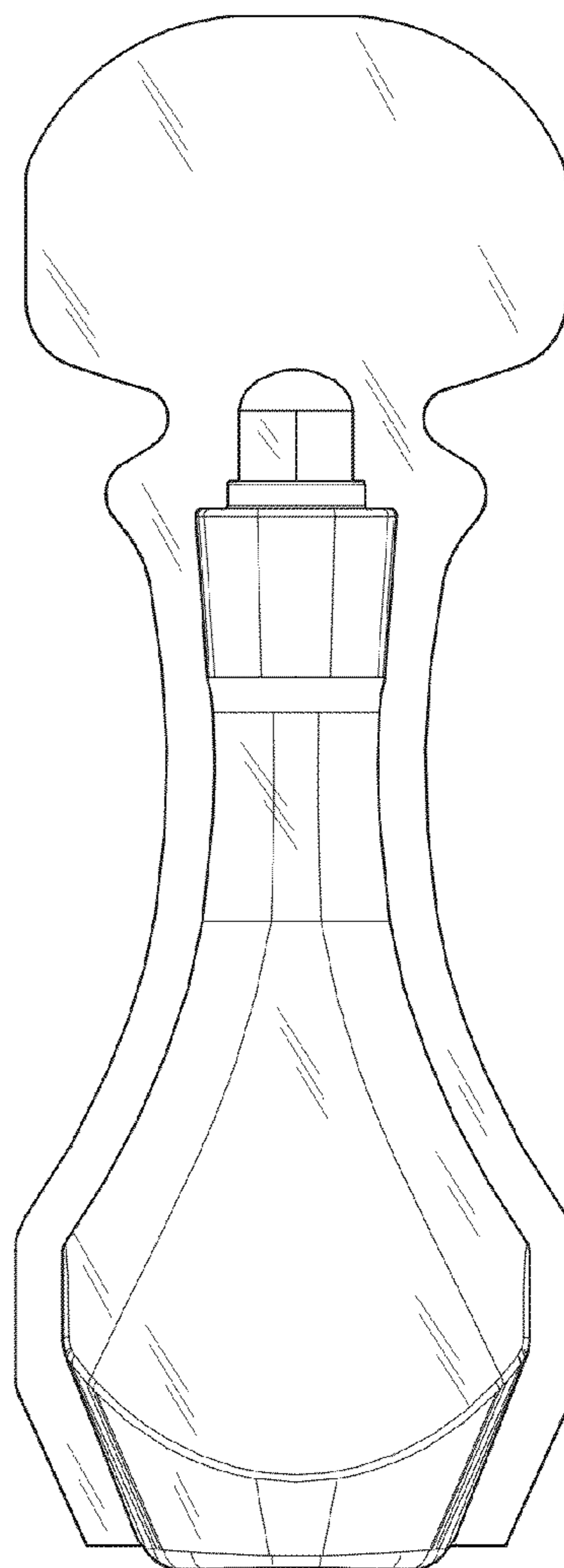


Fig. 2

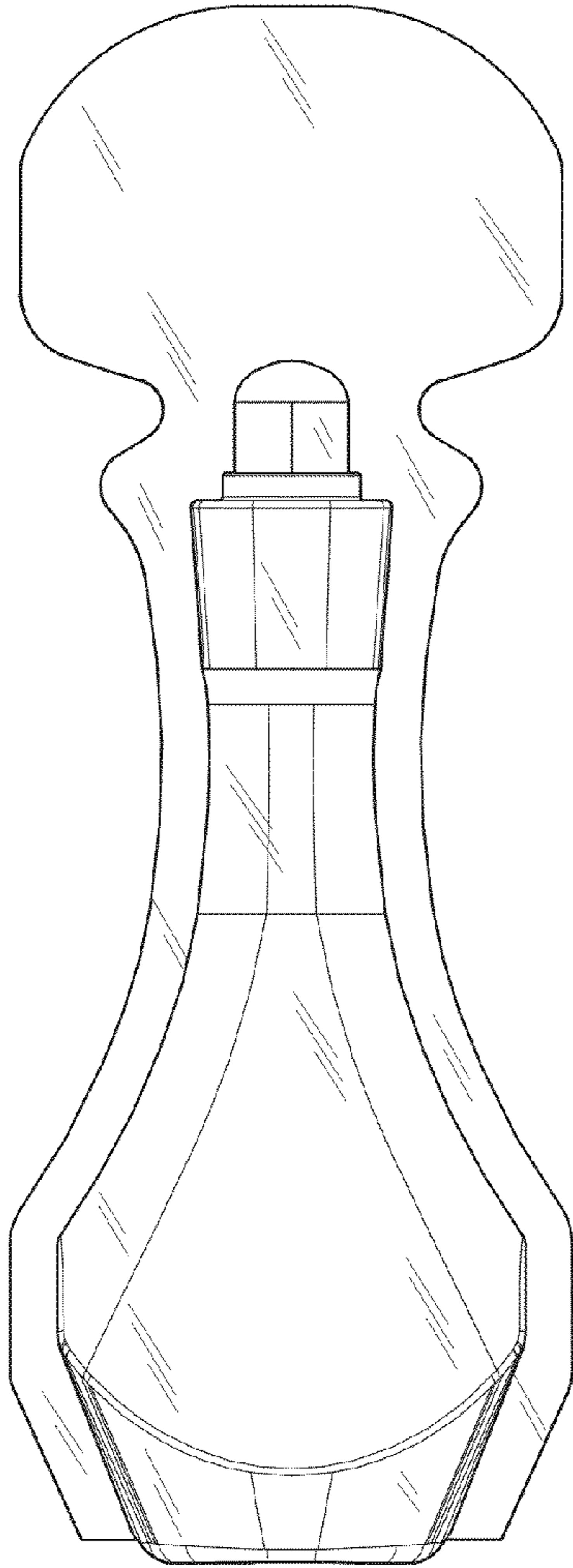


Fig. 3

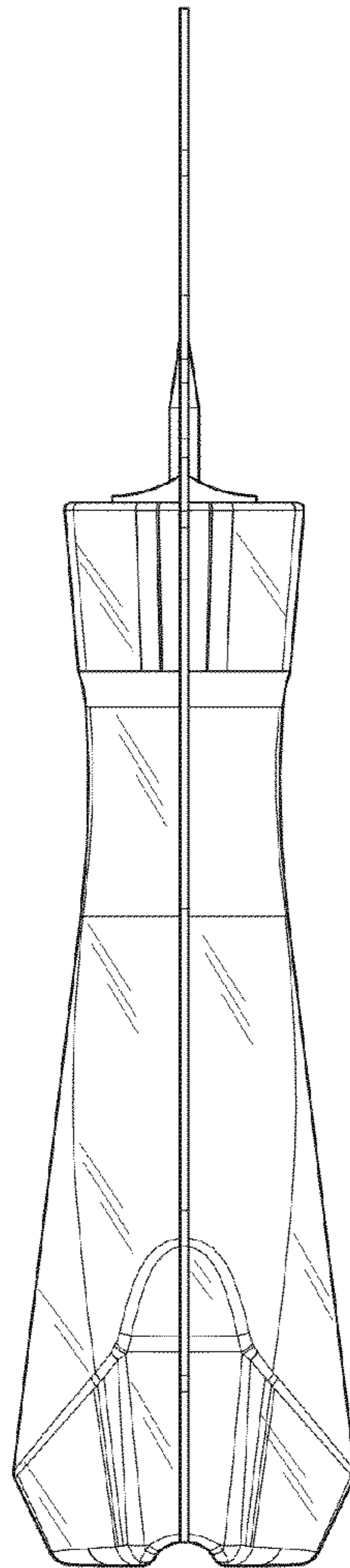


Fig. 4

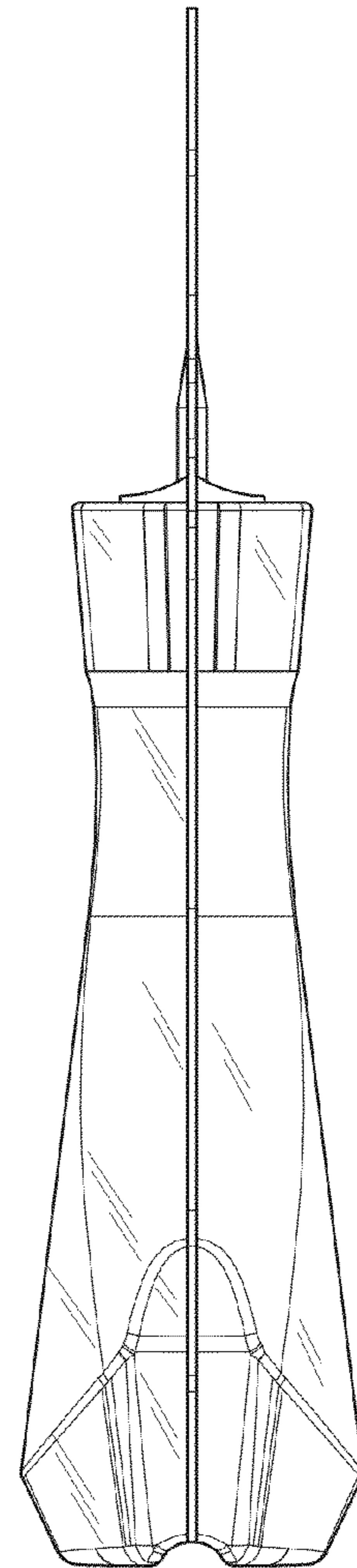


Fig. 5

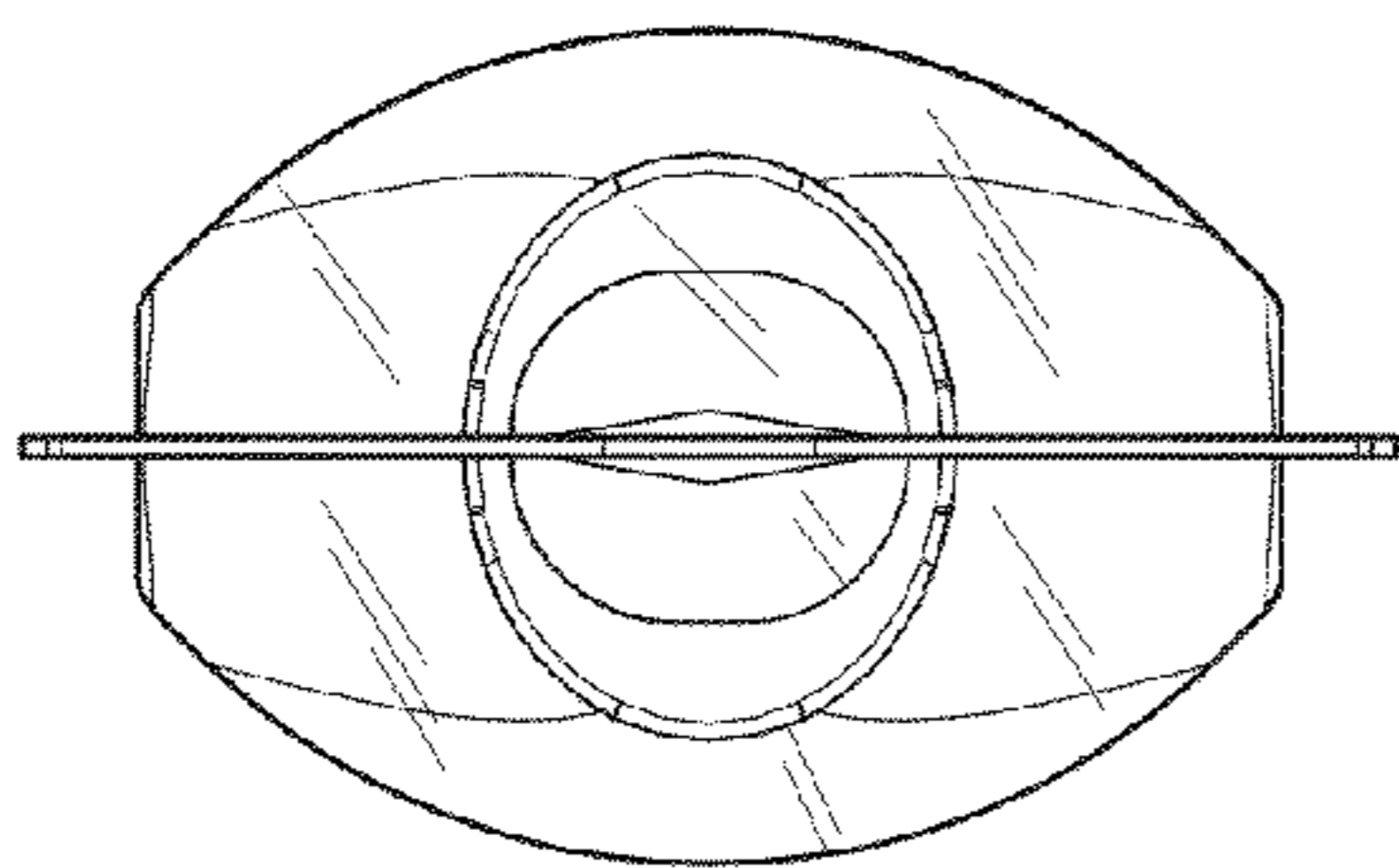


Fig. 6

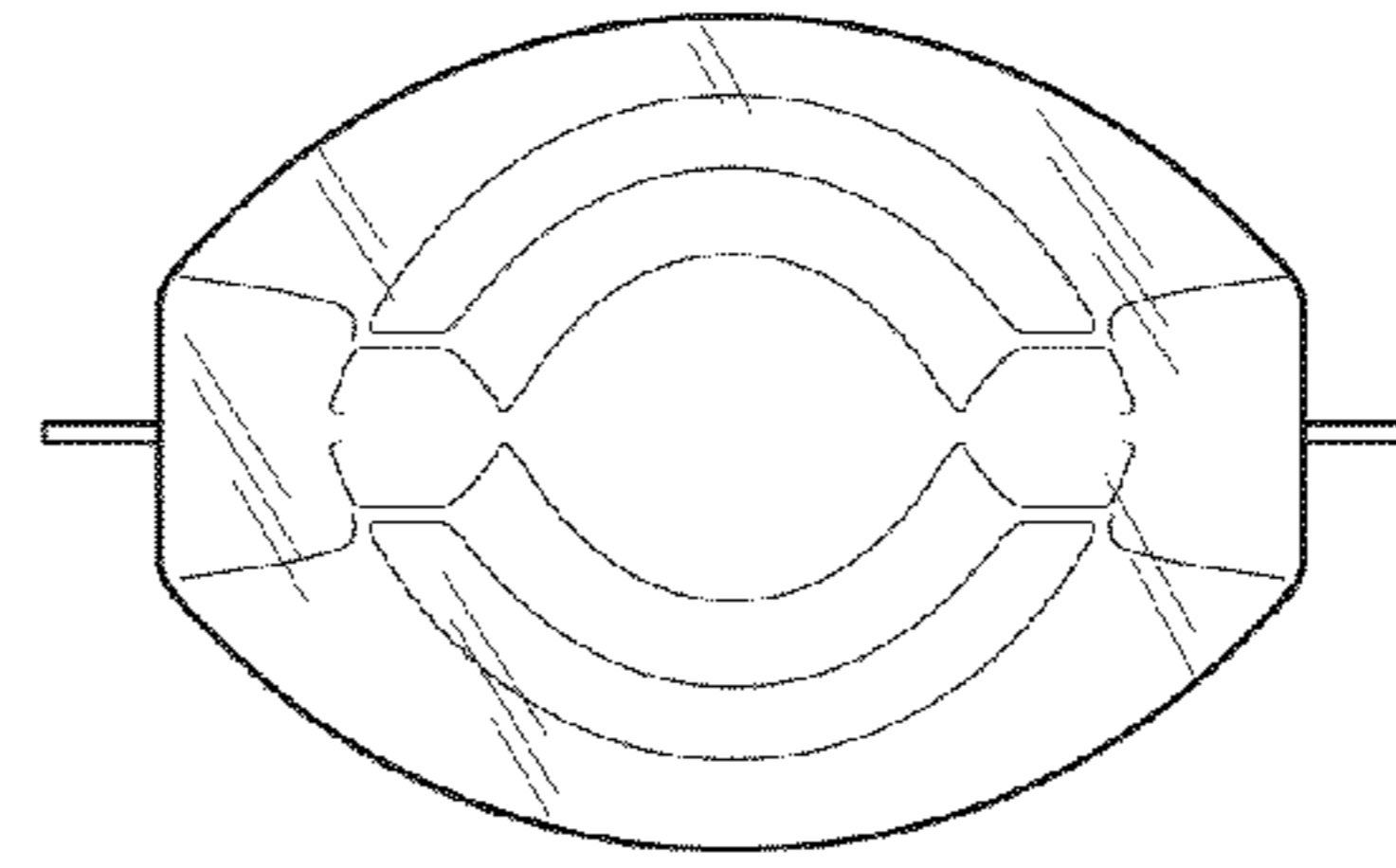


Fig. 7

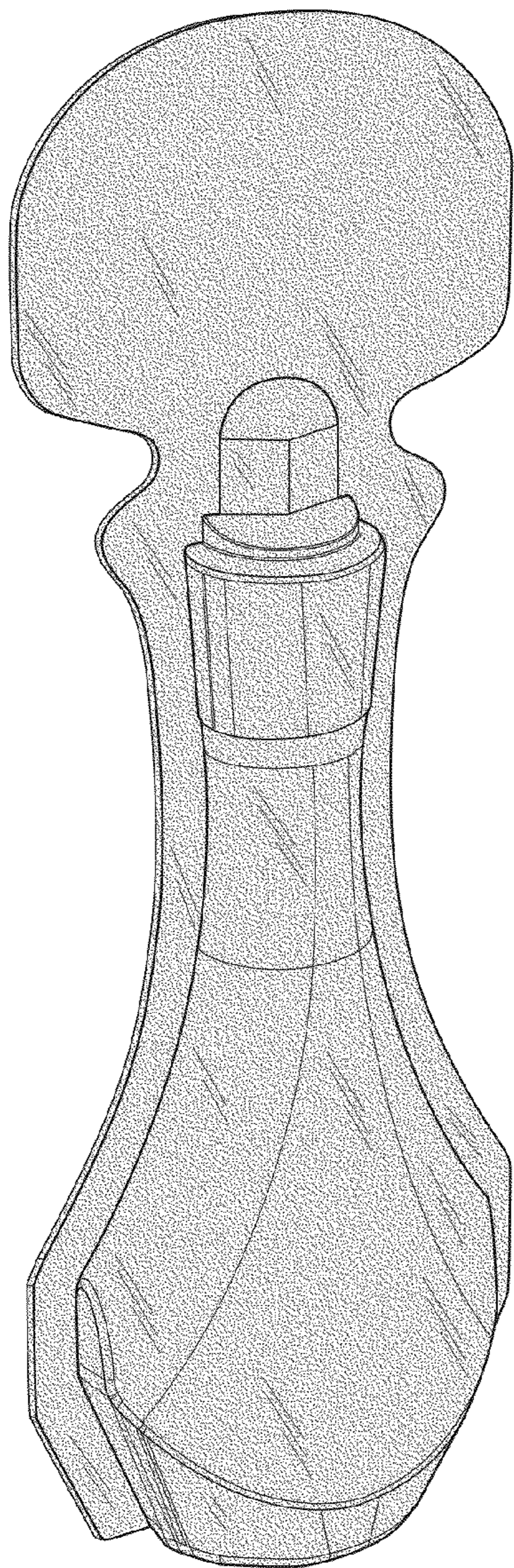


Fig. 8

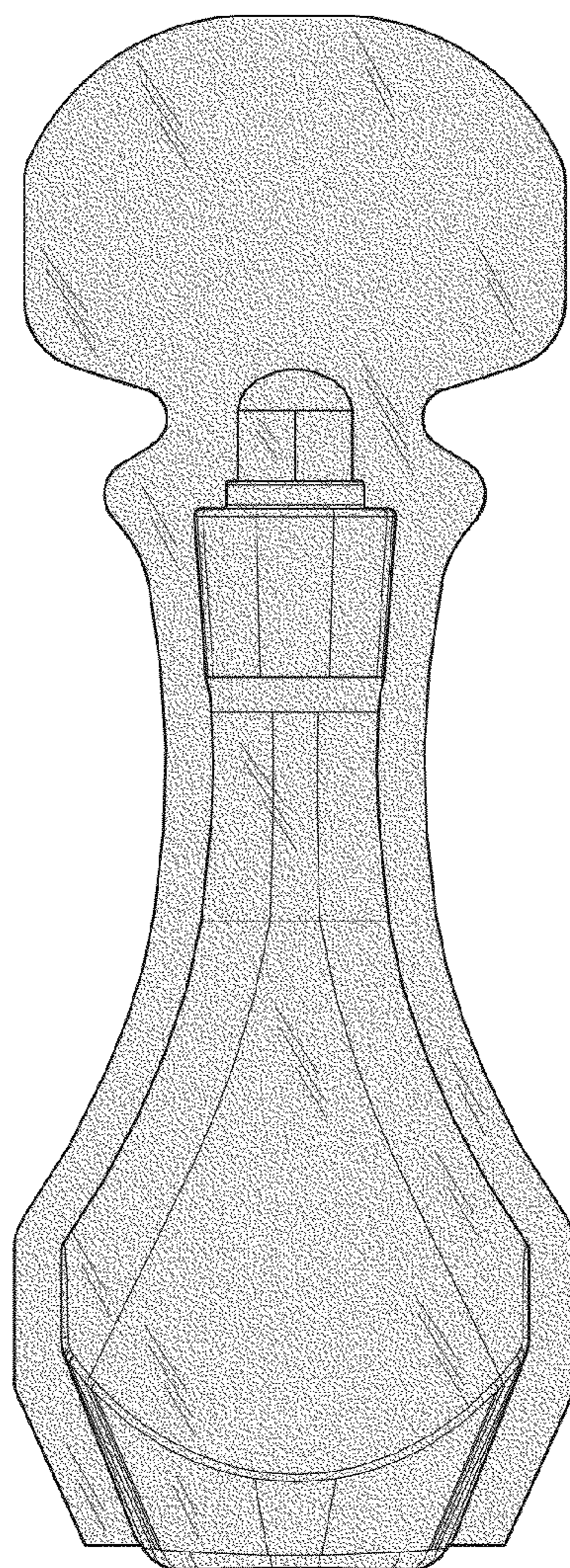


Fig. 9

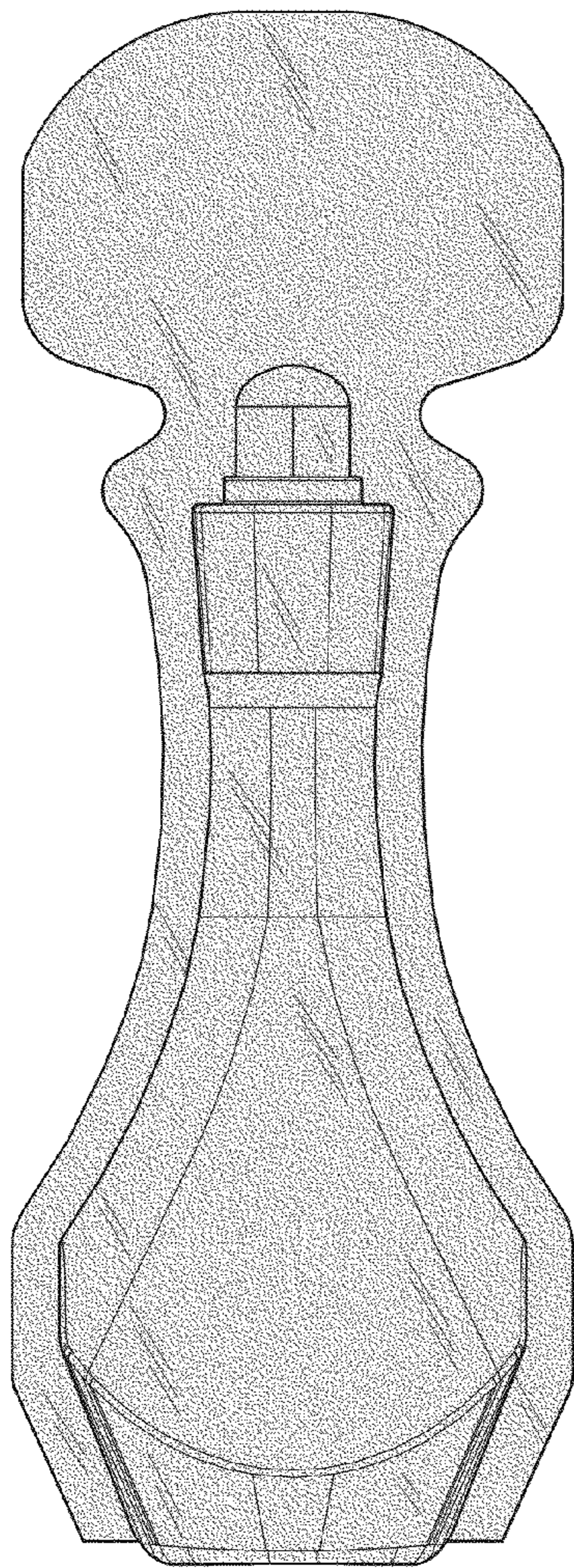


Fig. 10

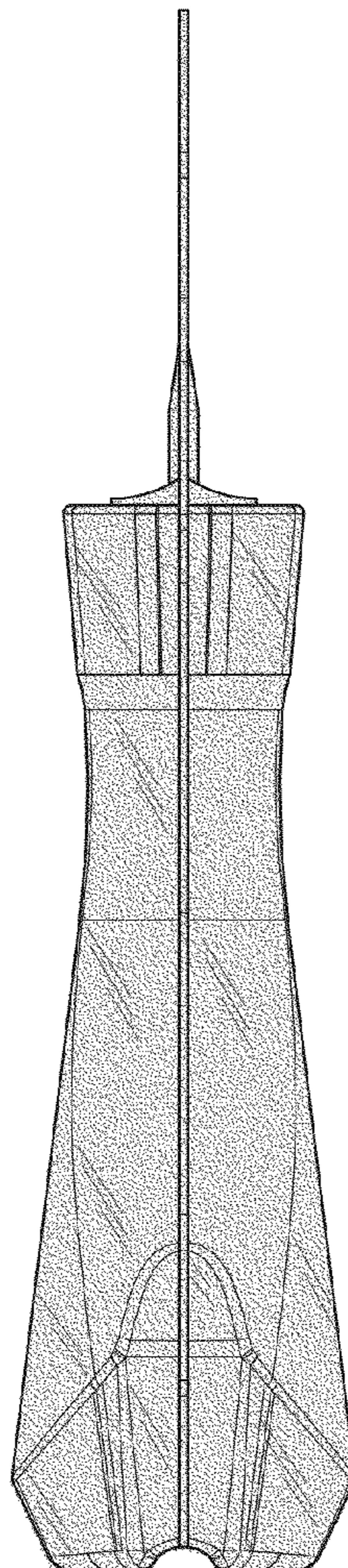


Fig. 11

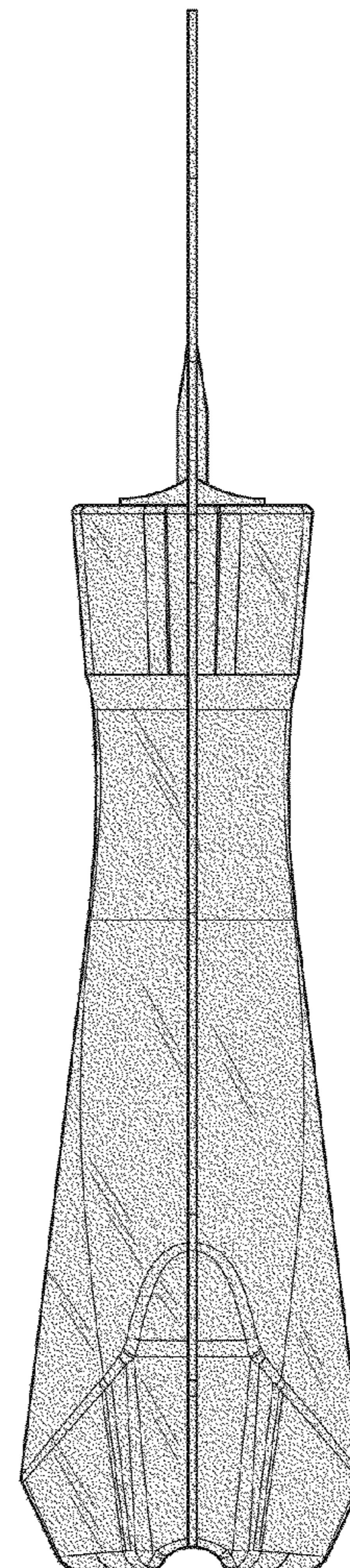


Fig. 12

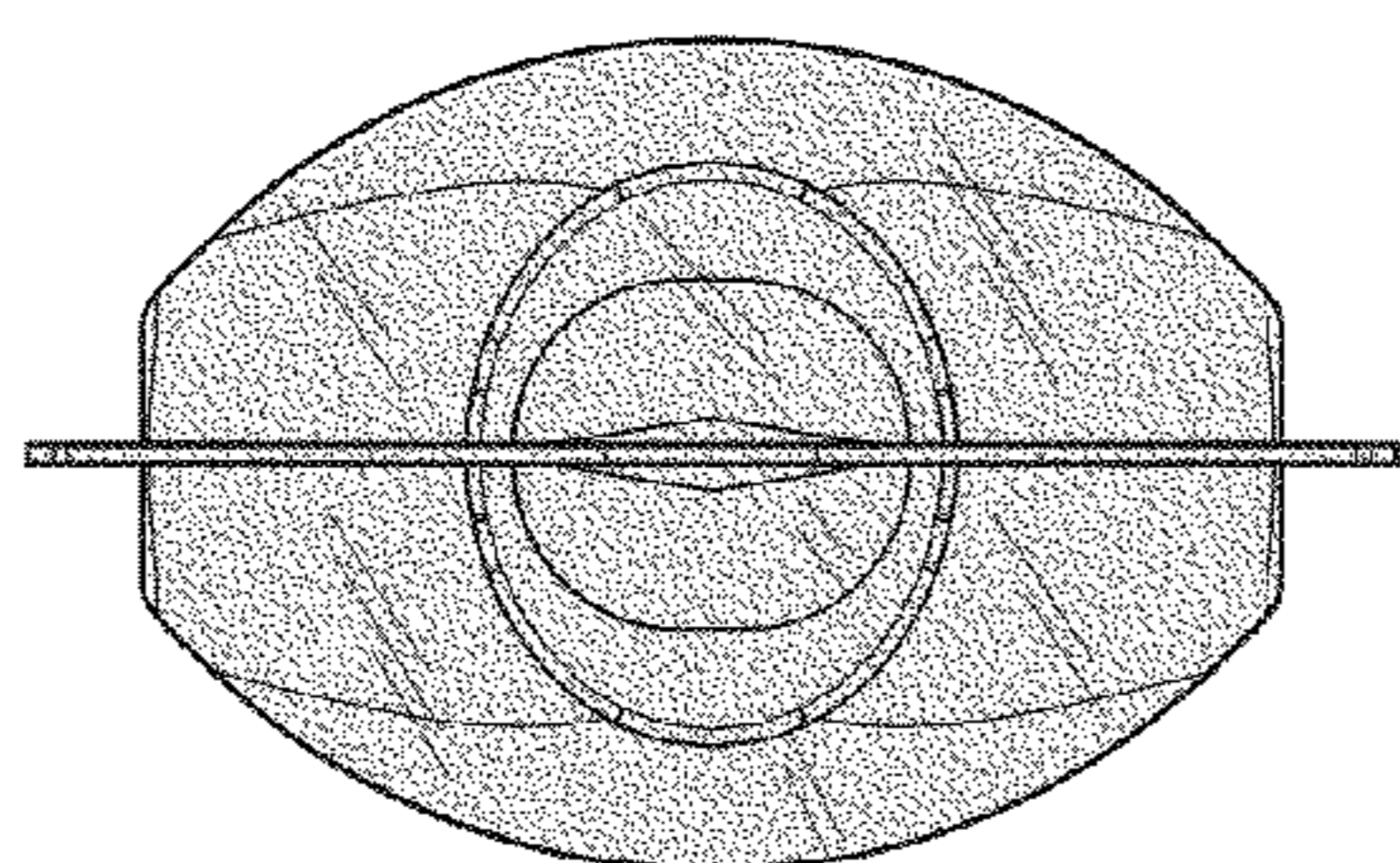


Fig. 13

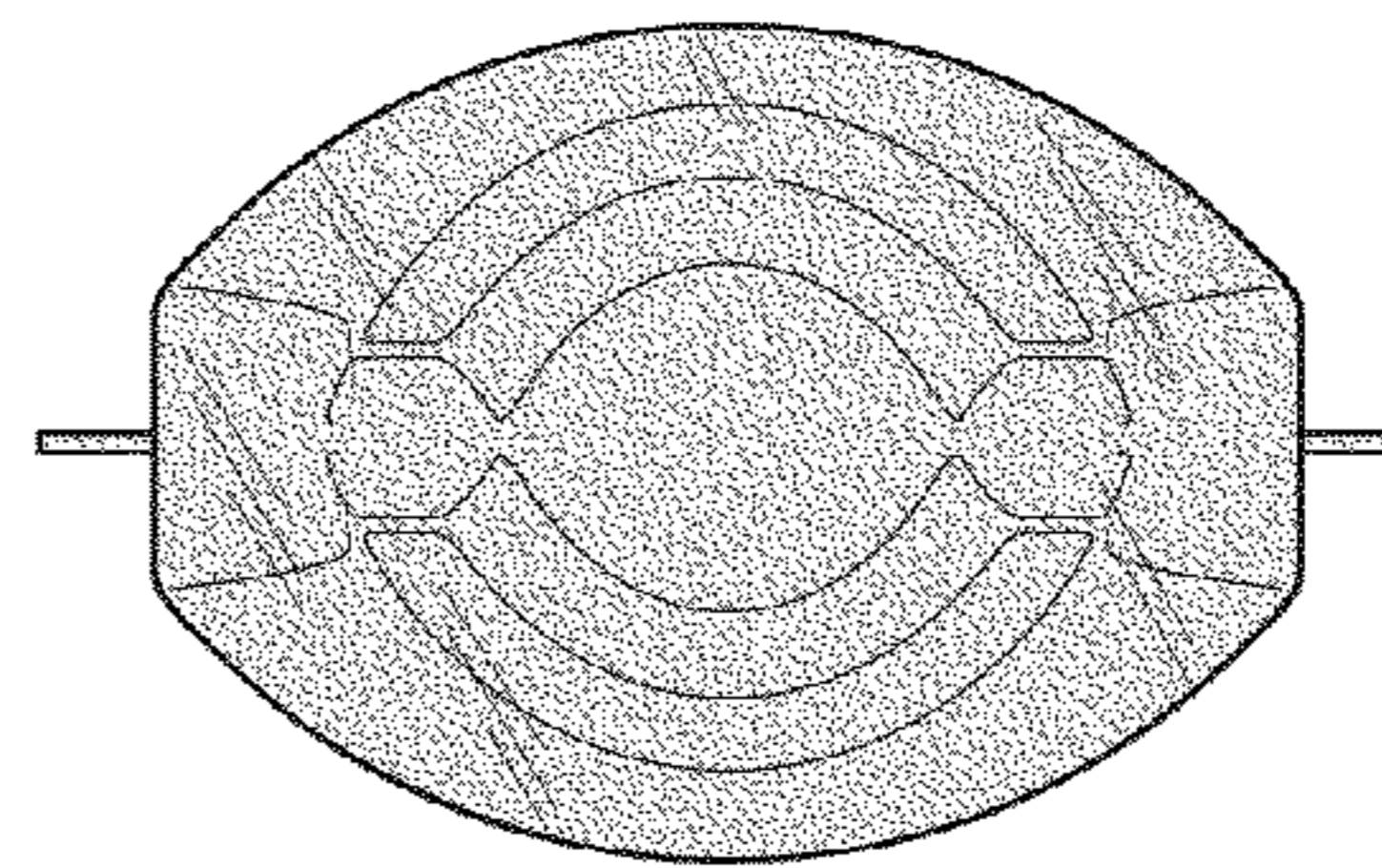


Fig. 14

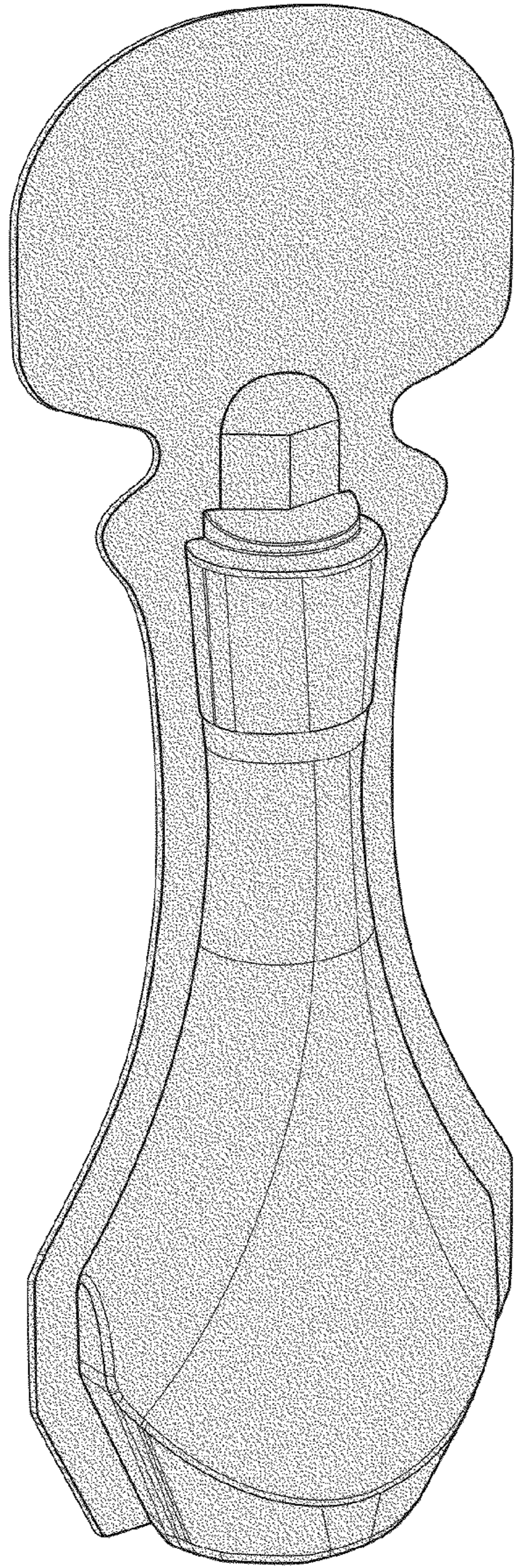


Fig. 15

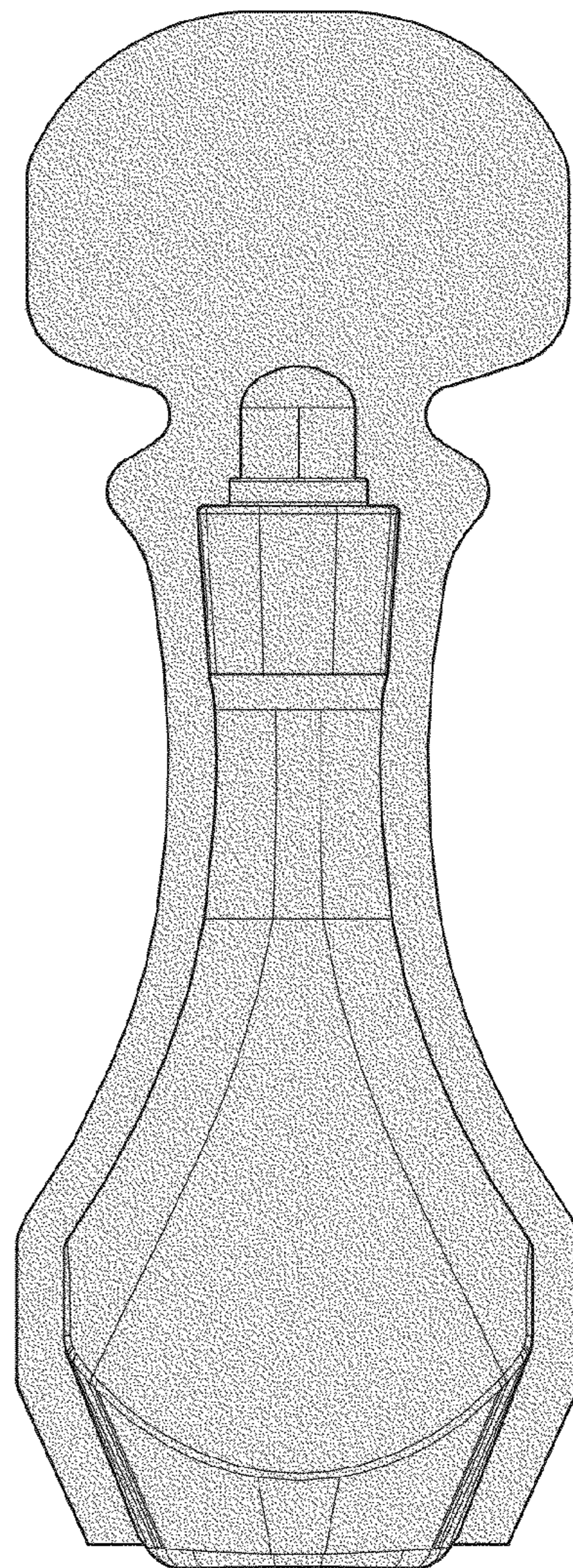


Fig. 16

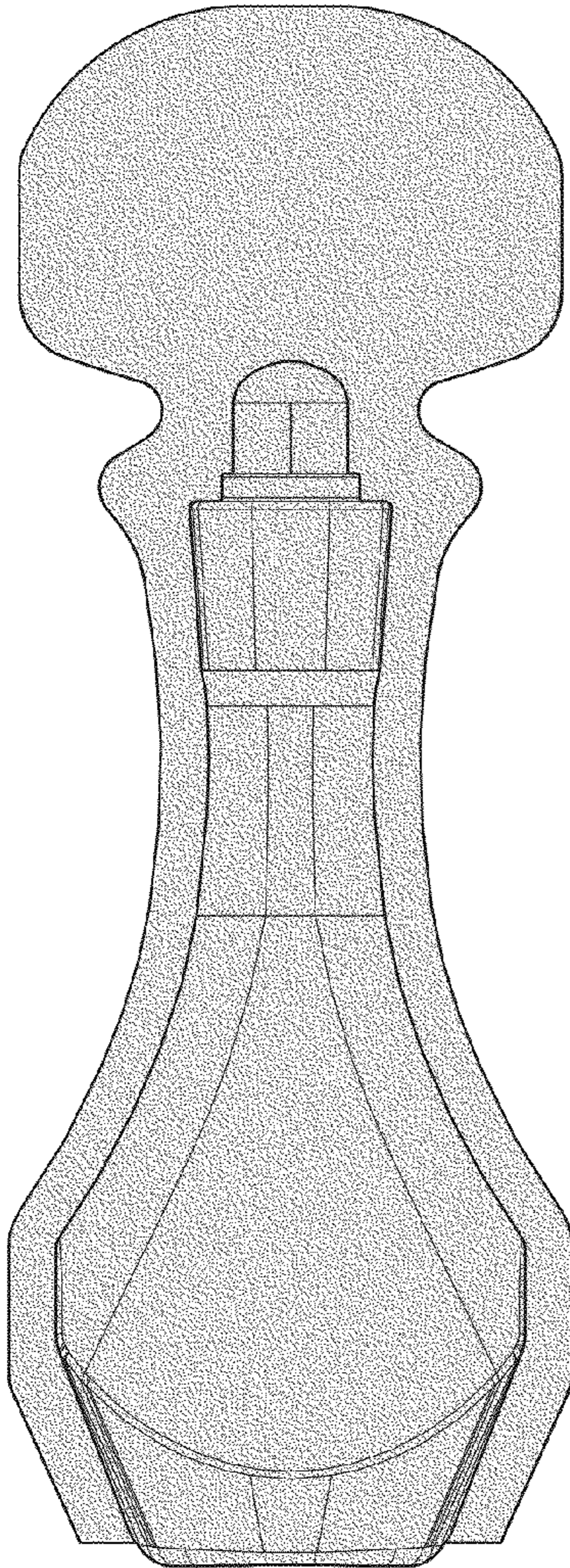


Fig. 17

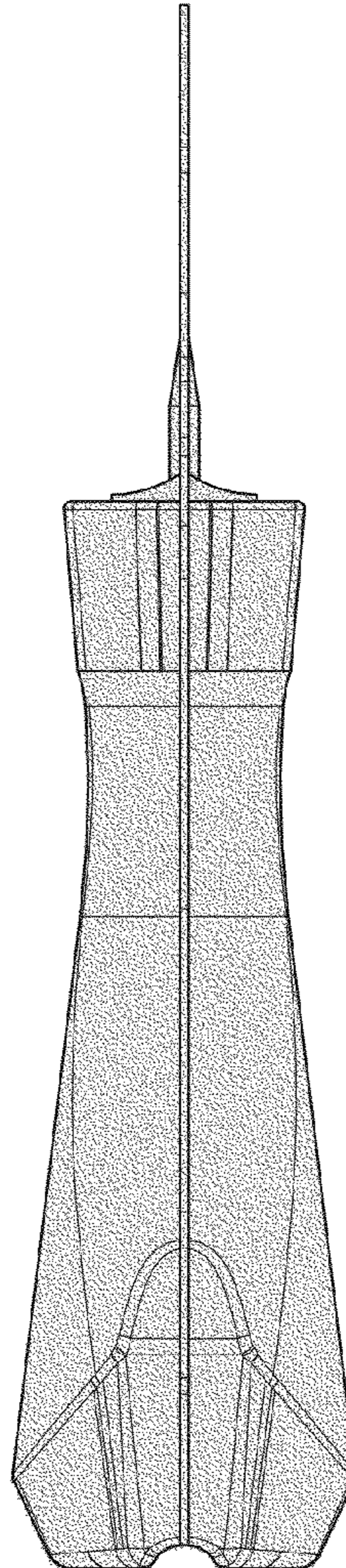


Fig. 18

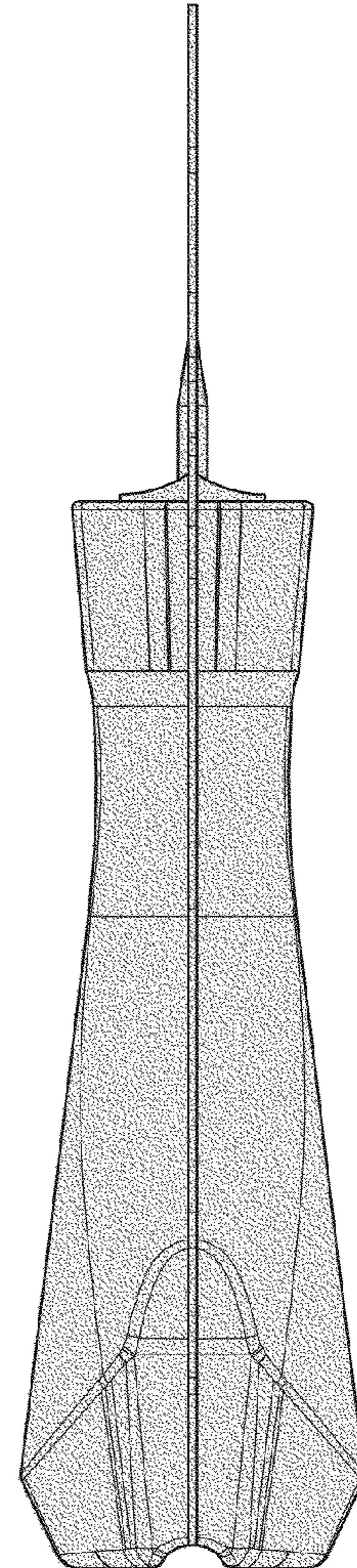


Fig. 19

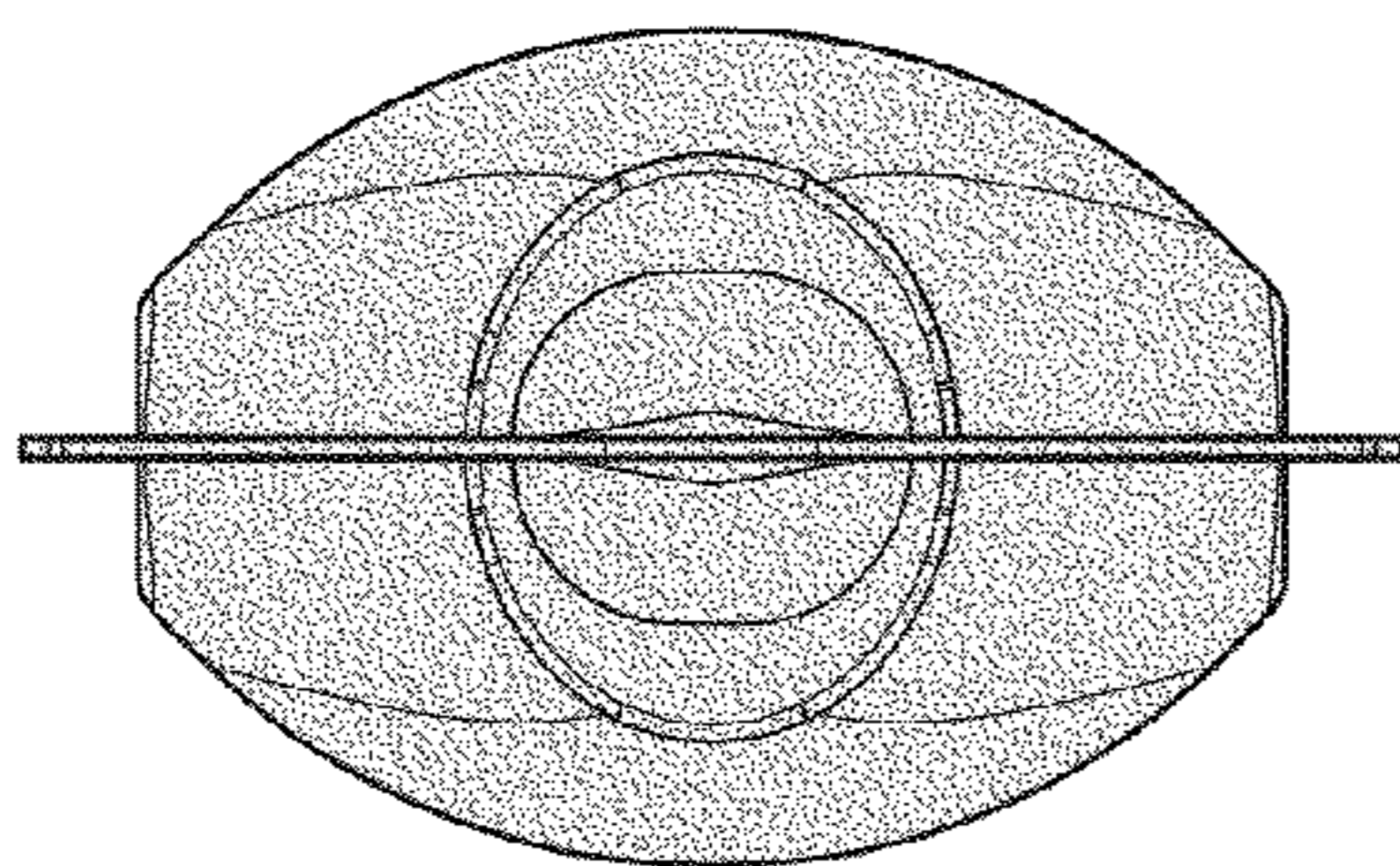


Fig. 20

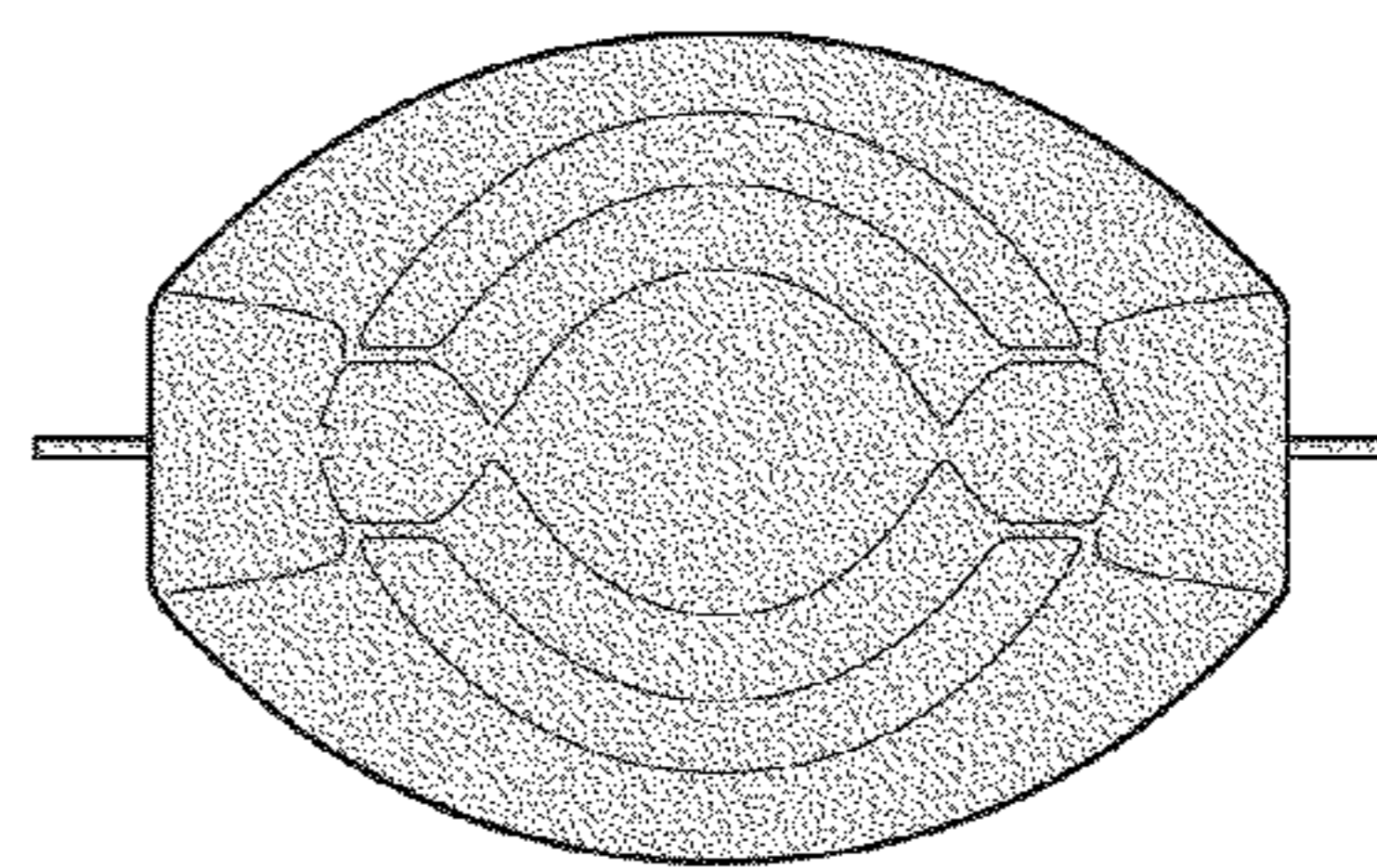


Fig. 21

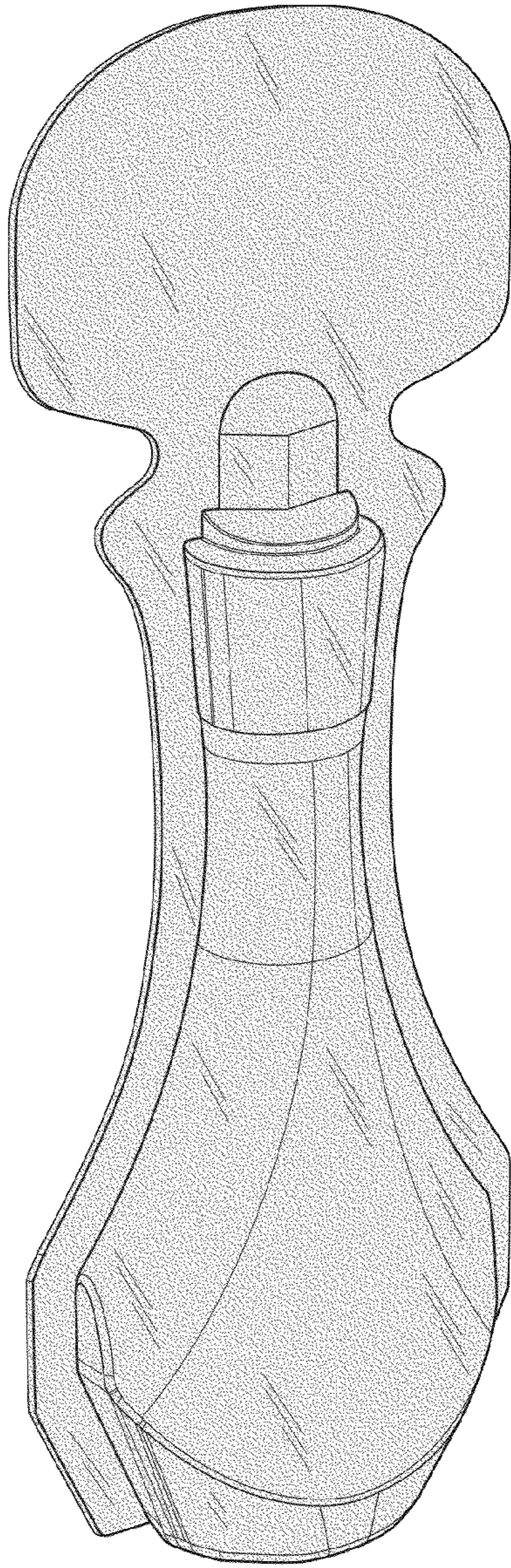


Fig. 22

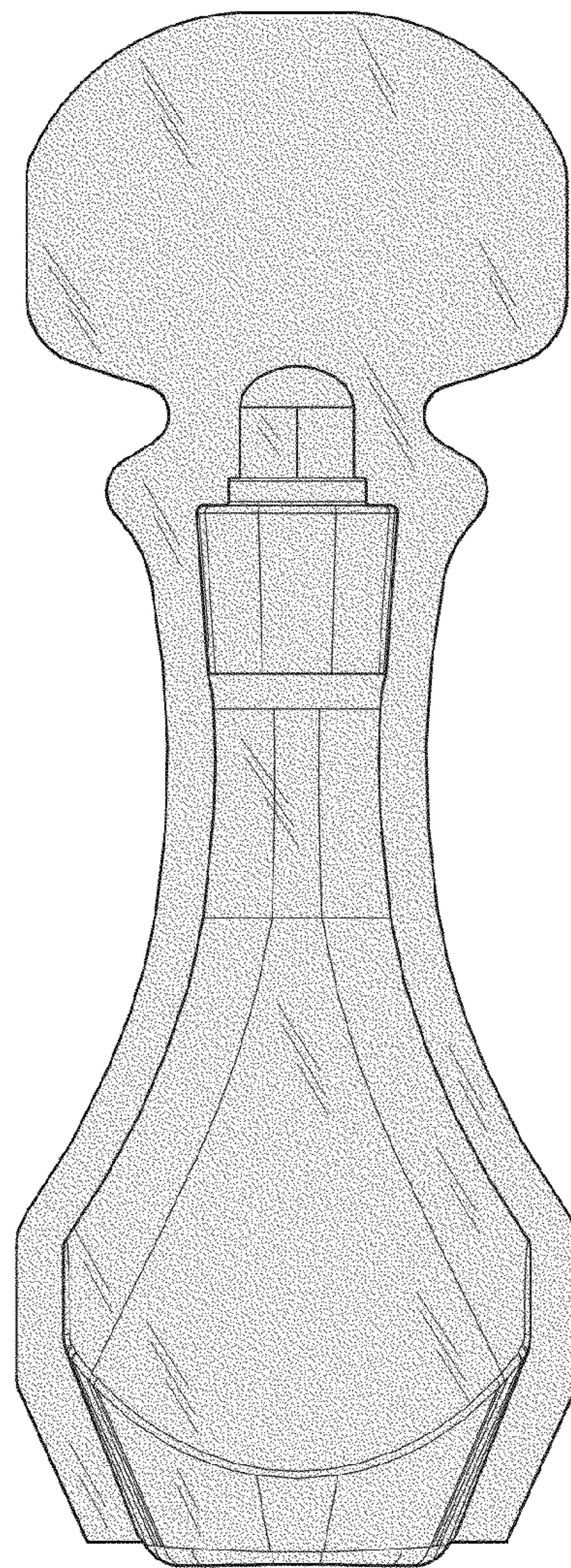


Fig. 23

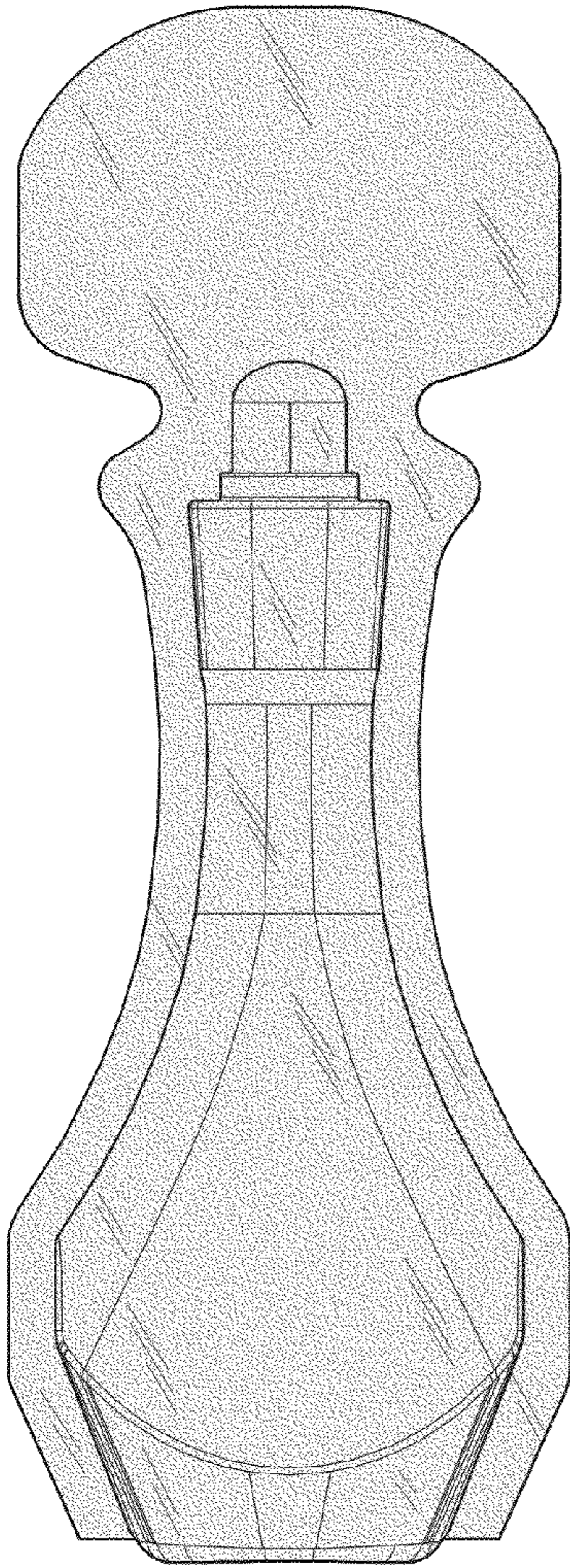


Fig. 24

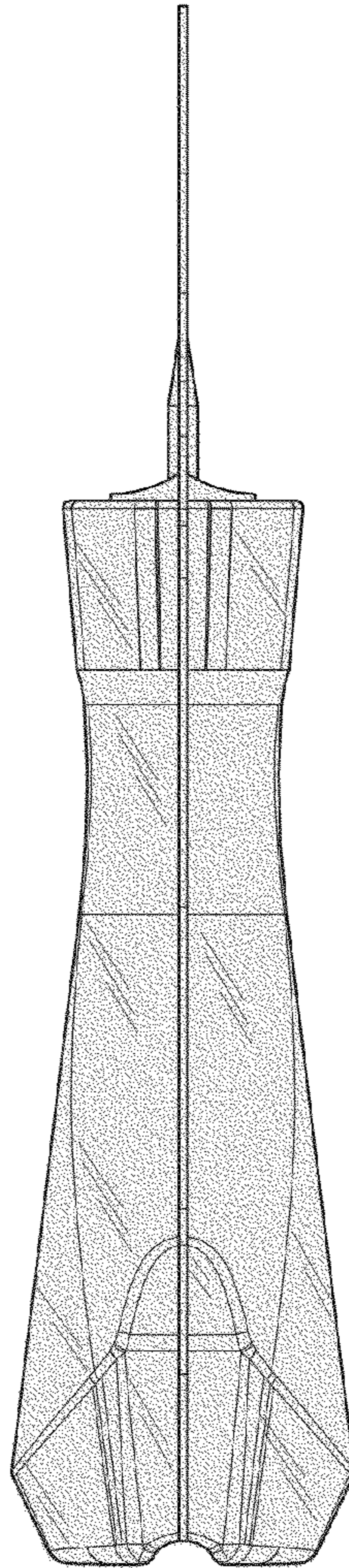


Fig. 25

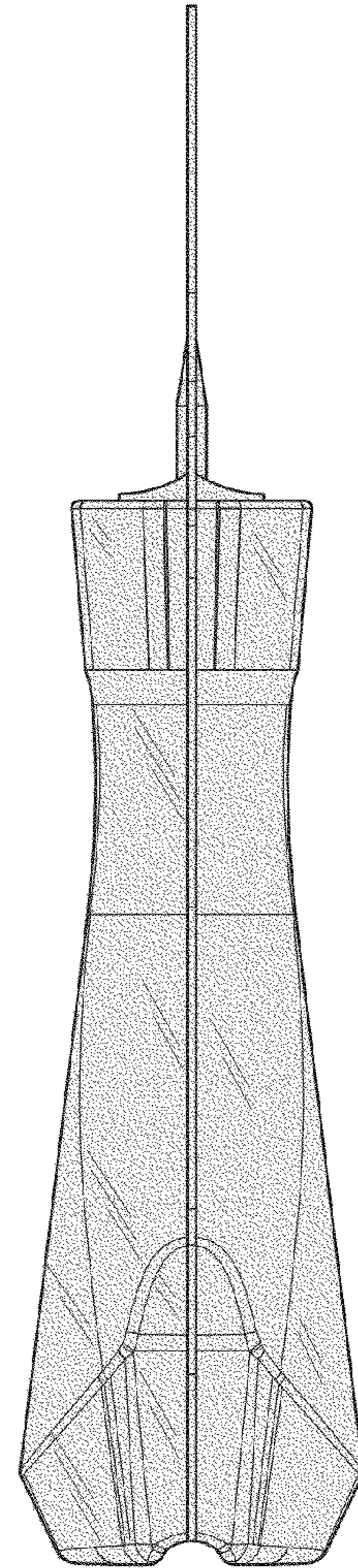


Fig. 26

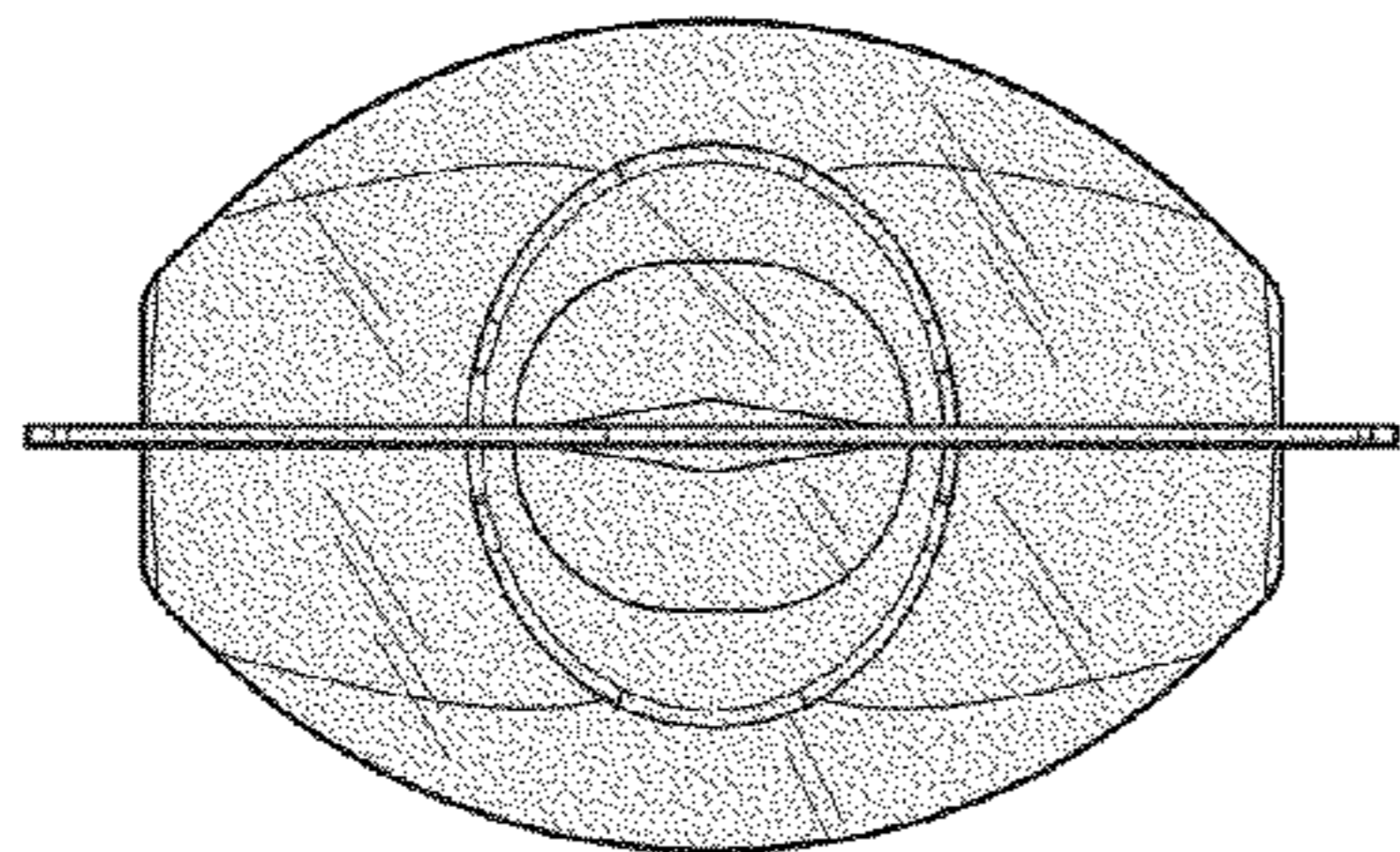


Fig. 27

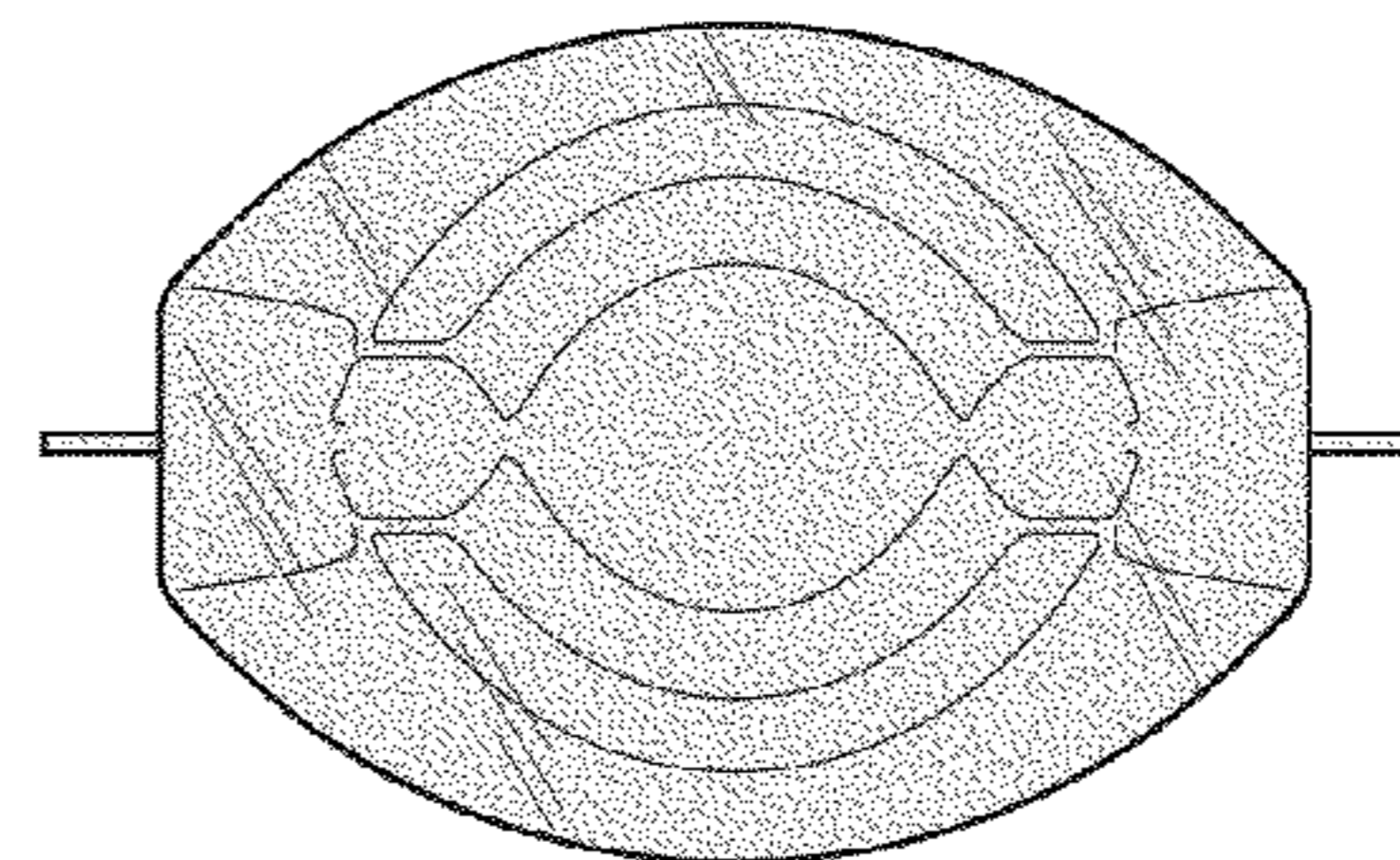


Fig. 28

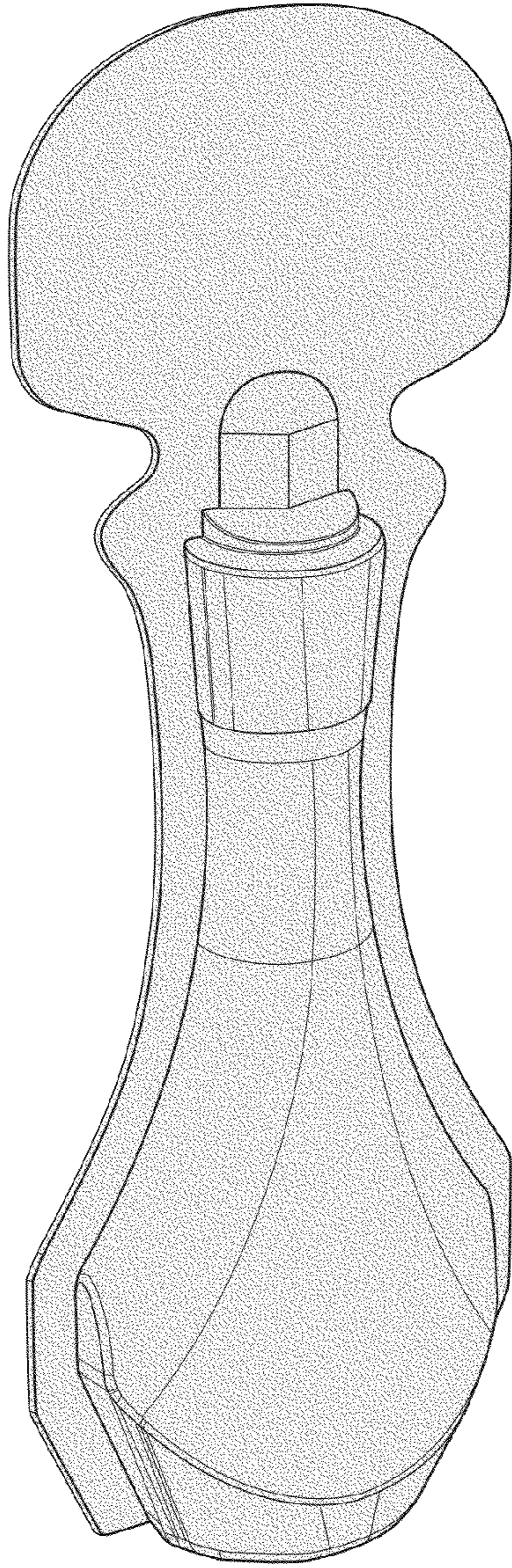


Fig. 29

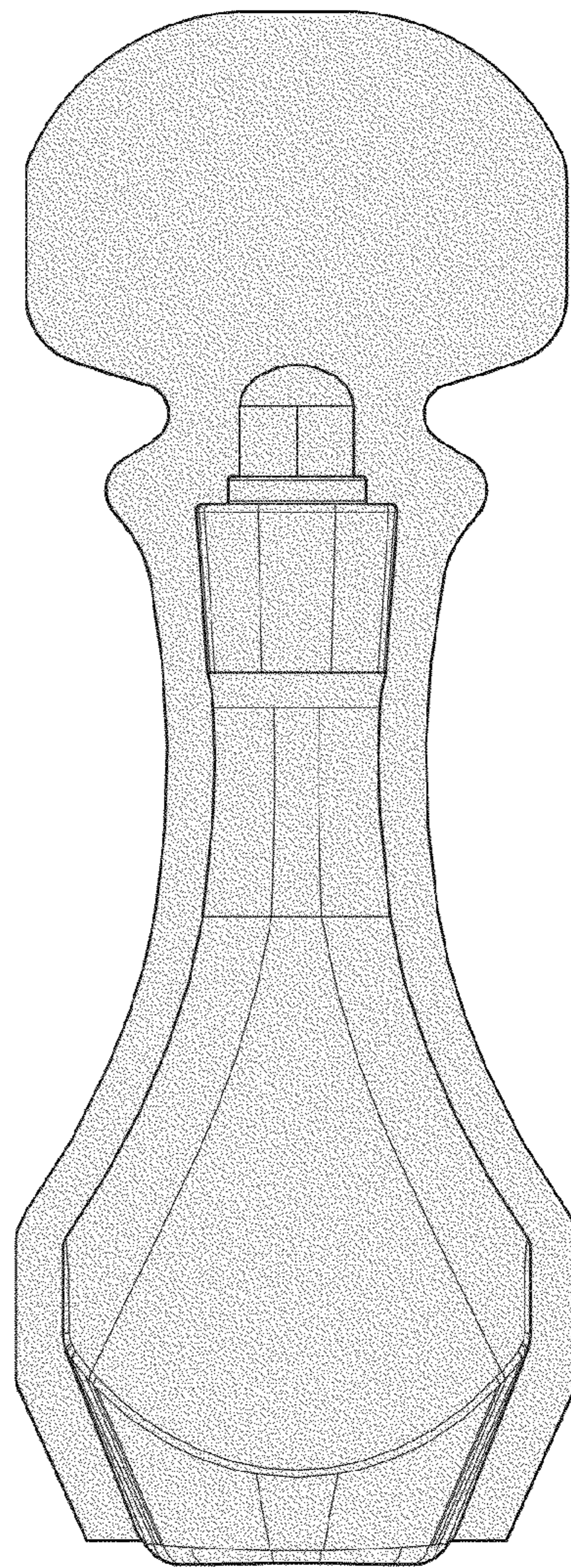


Fig. 30

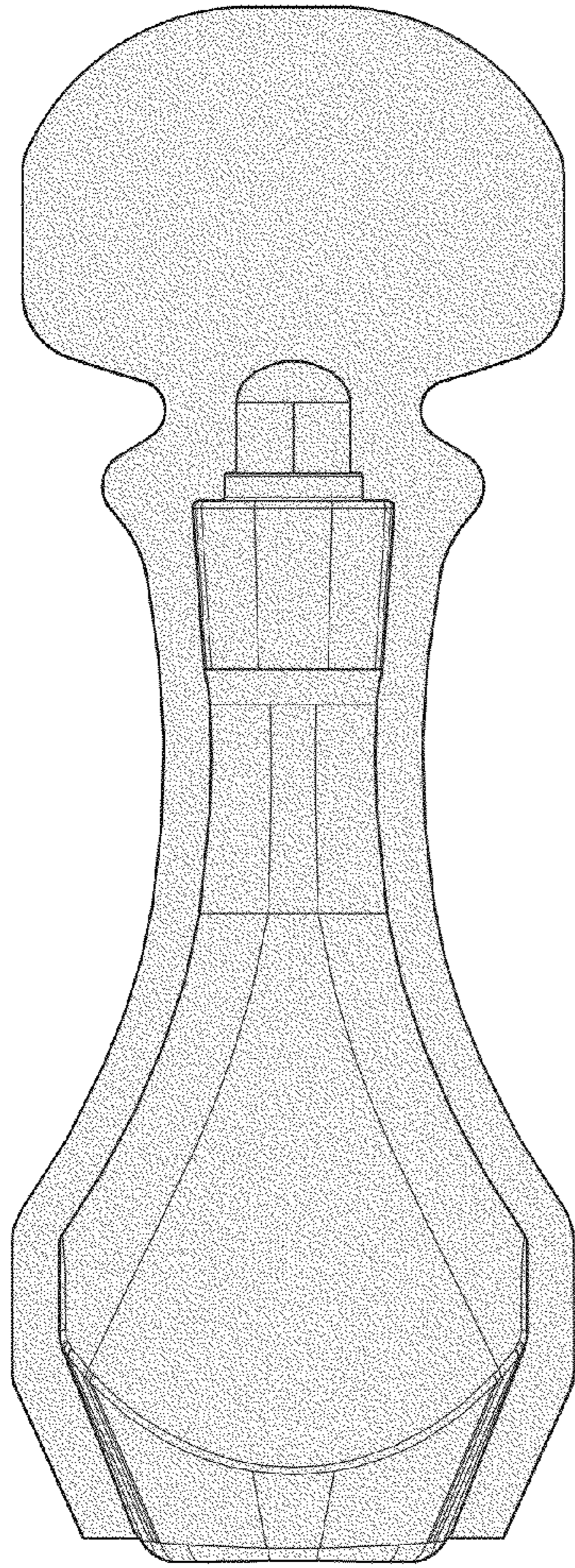


Fig. 31

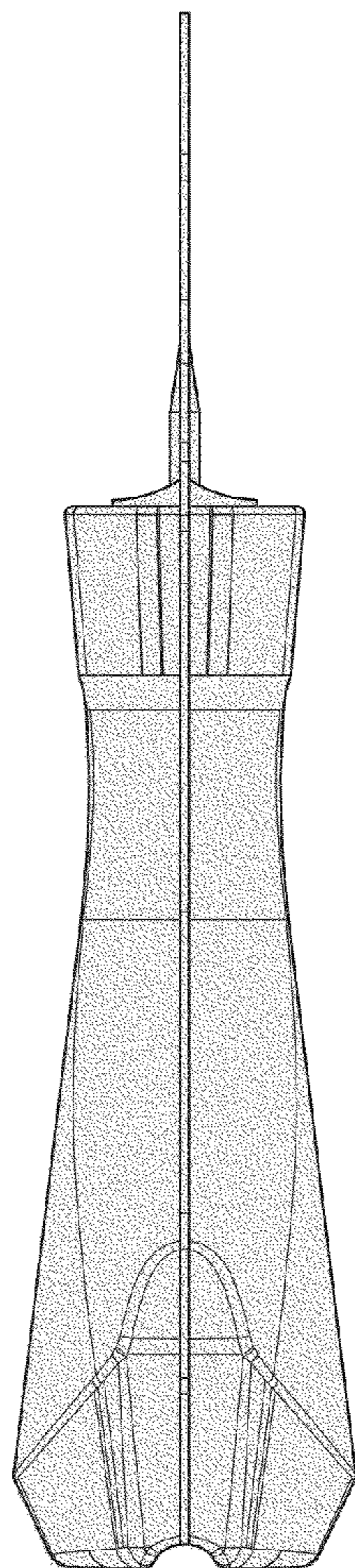


Fig. 32

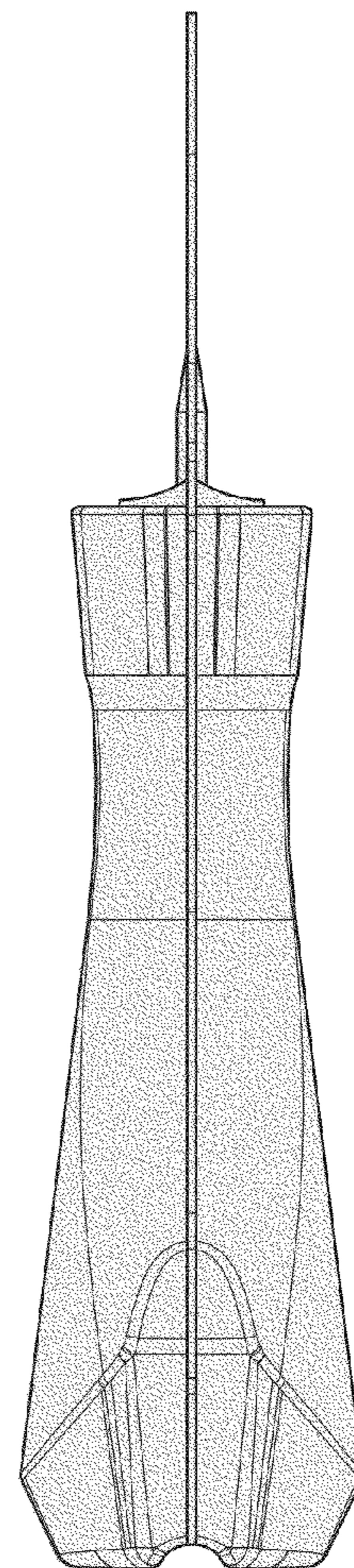


Fig. 33

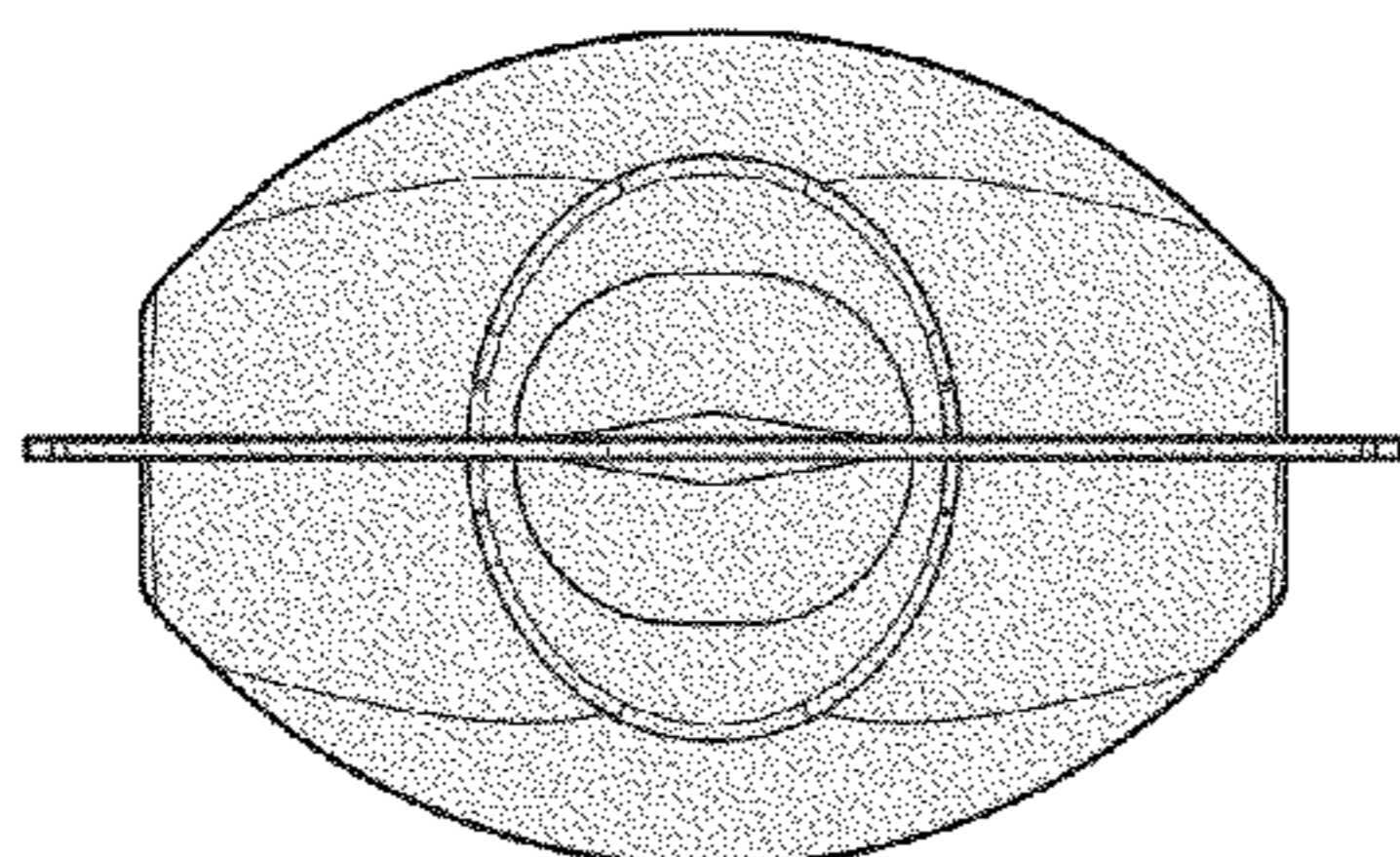


Fig. 34

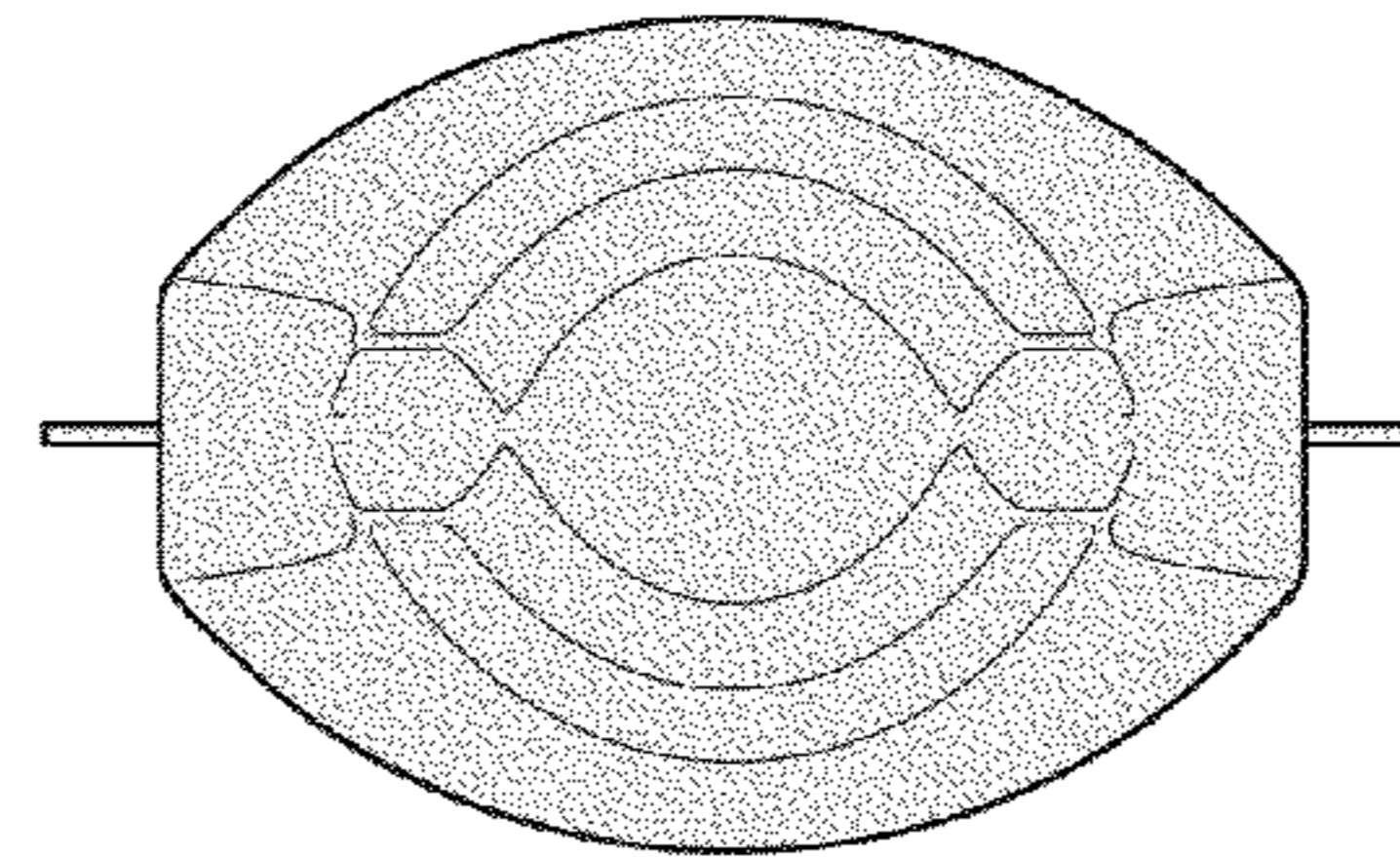


Fig. 35