

US00D726548S

(12) **United States Design Patent**
Gibbons

(10) **Patent No.:** **US D726,548 S**

(45) **Date of Patent:** **** Apr. 14, 2015**

(54) **BOTTLE**

(71) Applicant: **James Gibbons**, Olympia, WA (US)

(72) Inventor: **James Gibbons**, Olympia, WA (US)

(**) Term: **14 Years**

(21) Appl. No.: **29/485,194**

(22) Filed: **Mar. 17, 2014**

(51) **LOC (10) Cl.** **09-01**

(52) **U.S. Cl.**

USPC **D9/666; D9/548**

(58) **Field of Classification Search**

USPC D9/600, 666, 500–503, 516, 548;
206/457, 527; 215/381–384, 400;
220/890; D7/514–517, 520; D6/542

See application file for complete search history.

(56) **References Cited**

U.S. PATENT DOCUMENTS

D22,085 S * 12/1892 Murphy D9/666
D195,281 S * 5/1963 Guerlain D9/666

D437,213 S * 2/2001 Monod D9/666
D540,663 S * 4/2007 Tanner D9/600
D617,643 S * 6/2010 John D9/516
D679,195 S * 4/2013 Markham D9/666

* cited by examiner

Primary Examiner — Sandra Morris

(74) *Attorney, Agent, or Firm* — Perkins Coie LLP

(57) **CLAIM**

The ornamental design for bottle, as shown and described.

DESCRIPTION

FIG. 1 is a front isometric view of an embodiment of a bottle showing my new design.

FIG. 2 is a front elevation view thereof.

FIG. 3 is a rear elevation view thereof.

FIG. 4 is a left side elevation view thereof.

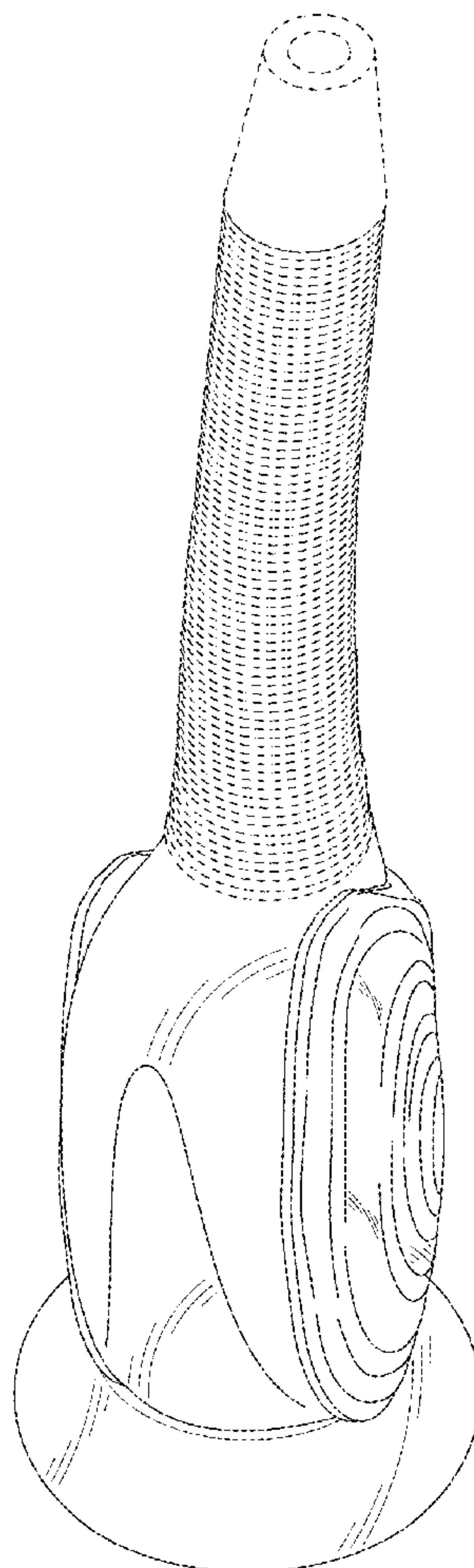
FIG. 5 is a right side elevation view thereof.

FIG. 6 is a top plan view thereof; and,

FIG. 7 is a bottom plan view thereof.

Any broken lines in the Figures are for illustrative purposes only and form no part of the claimed design.

1 Claim, 6 Drawing Sheets



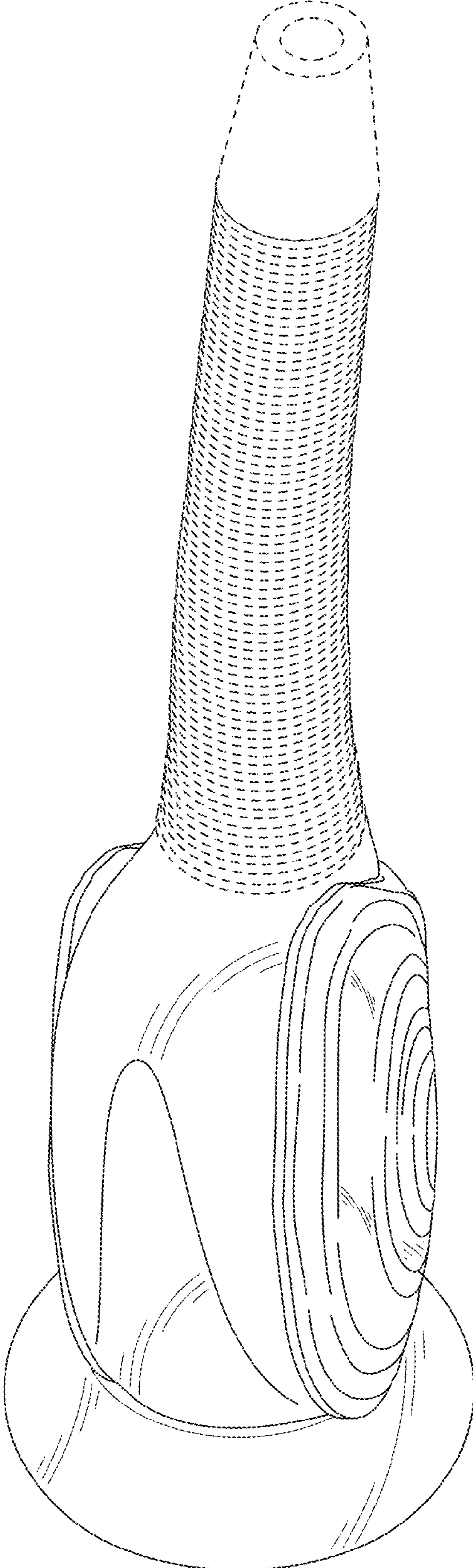


Fig. 1

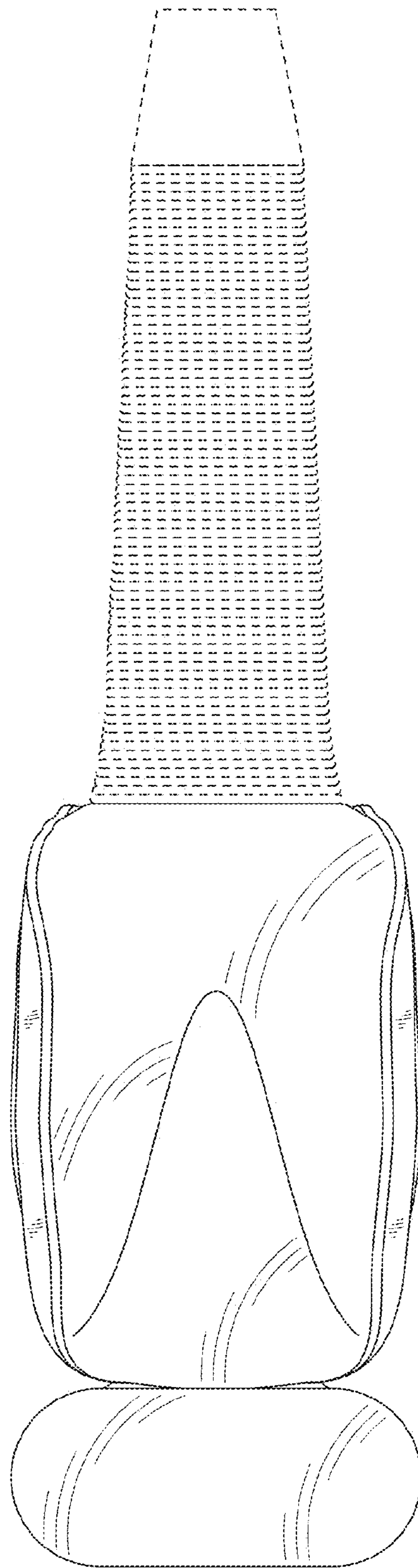


Fig. 2

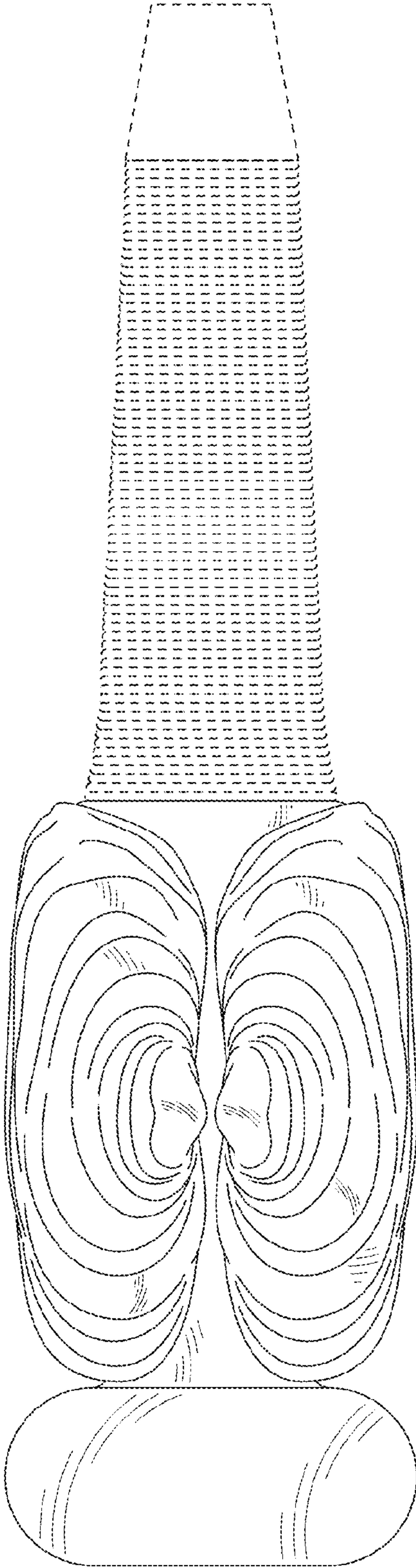


Fig. 3

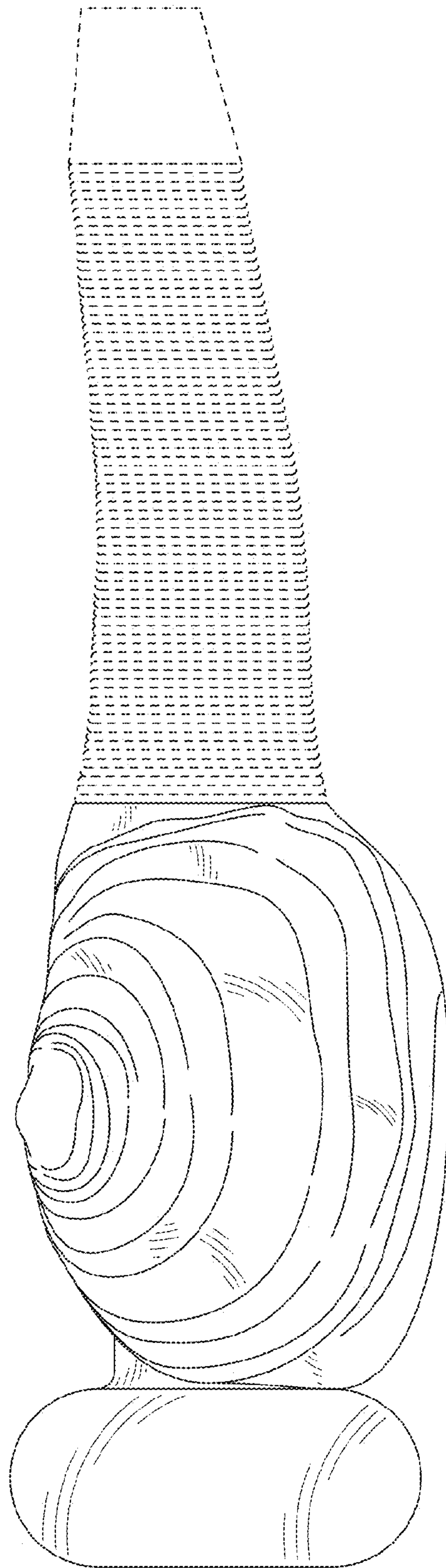


Fig. 4

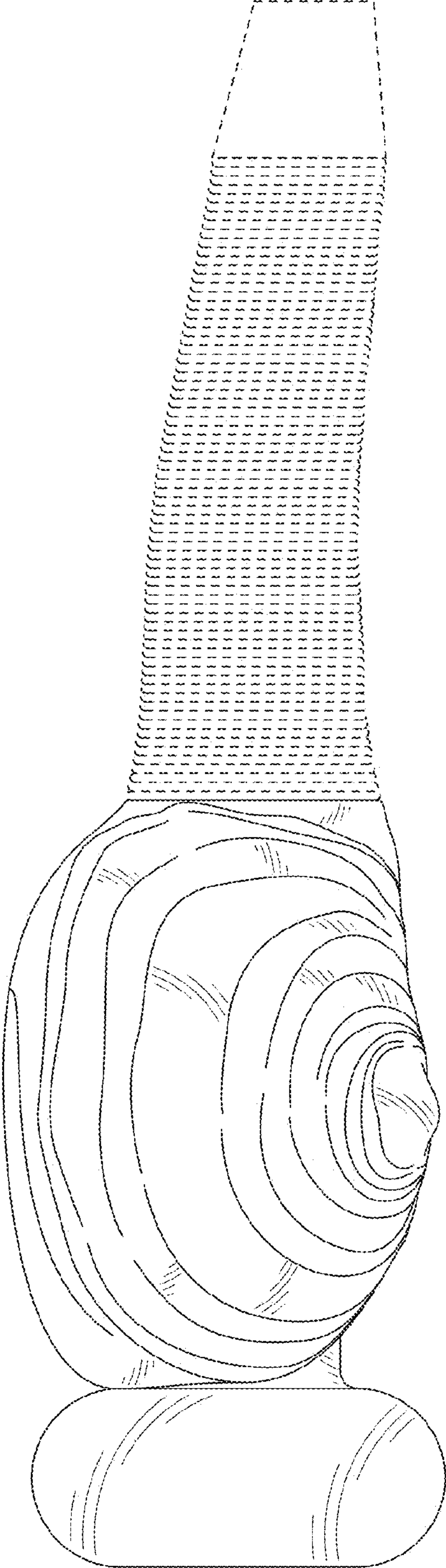


Fig. 5

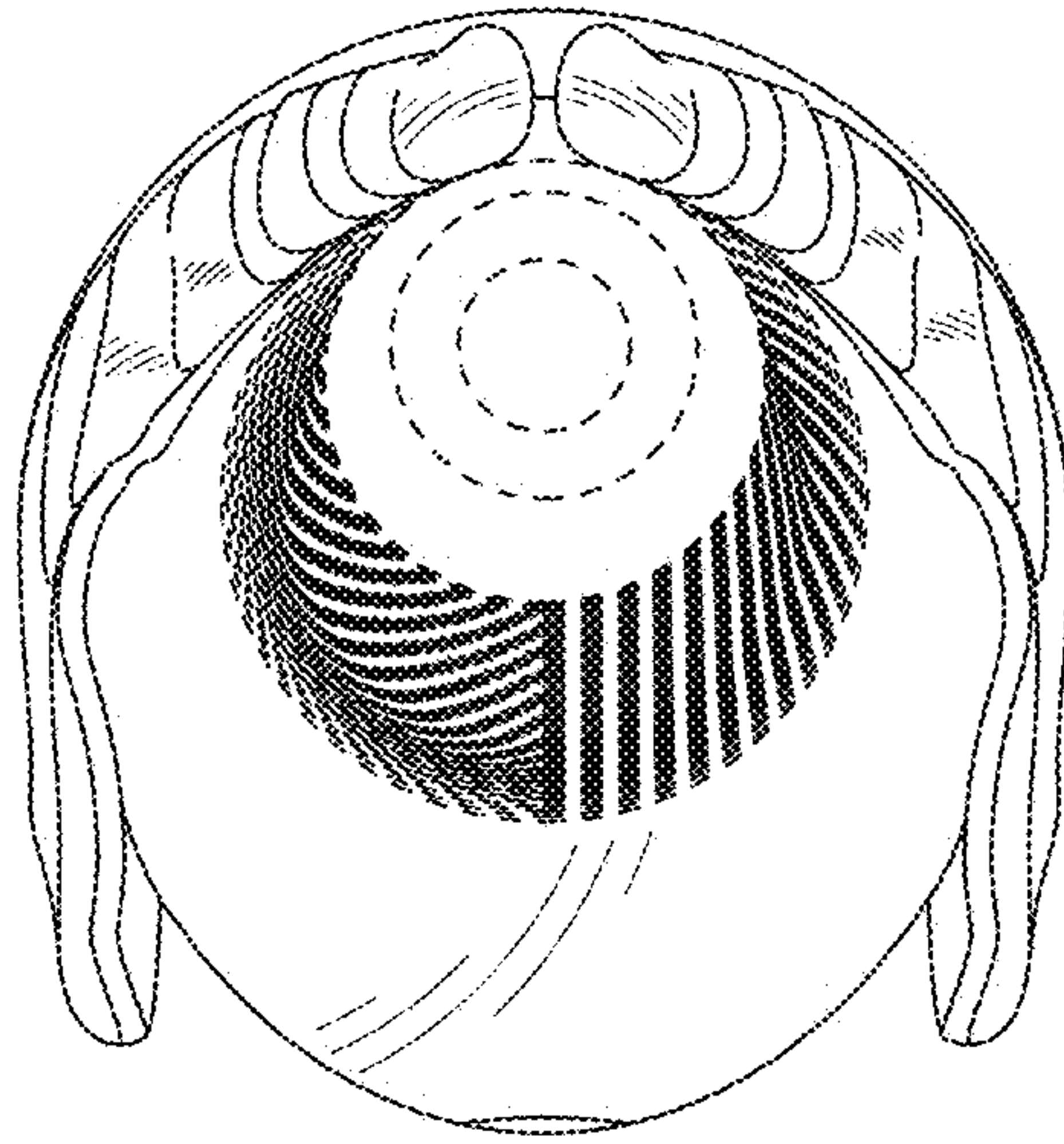


Fig. 6

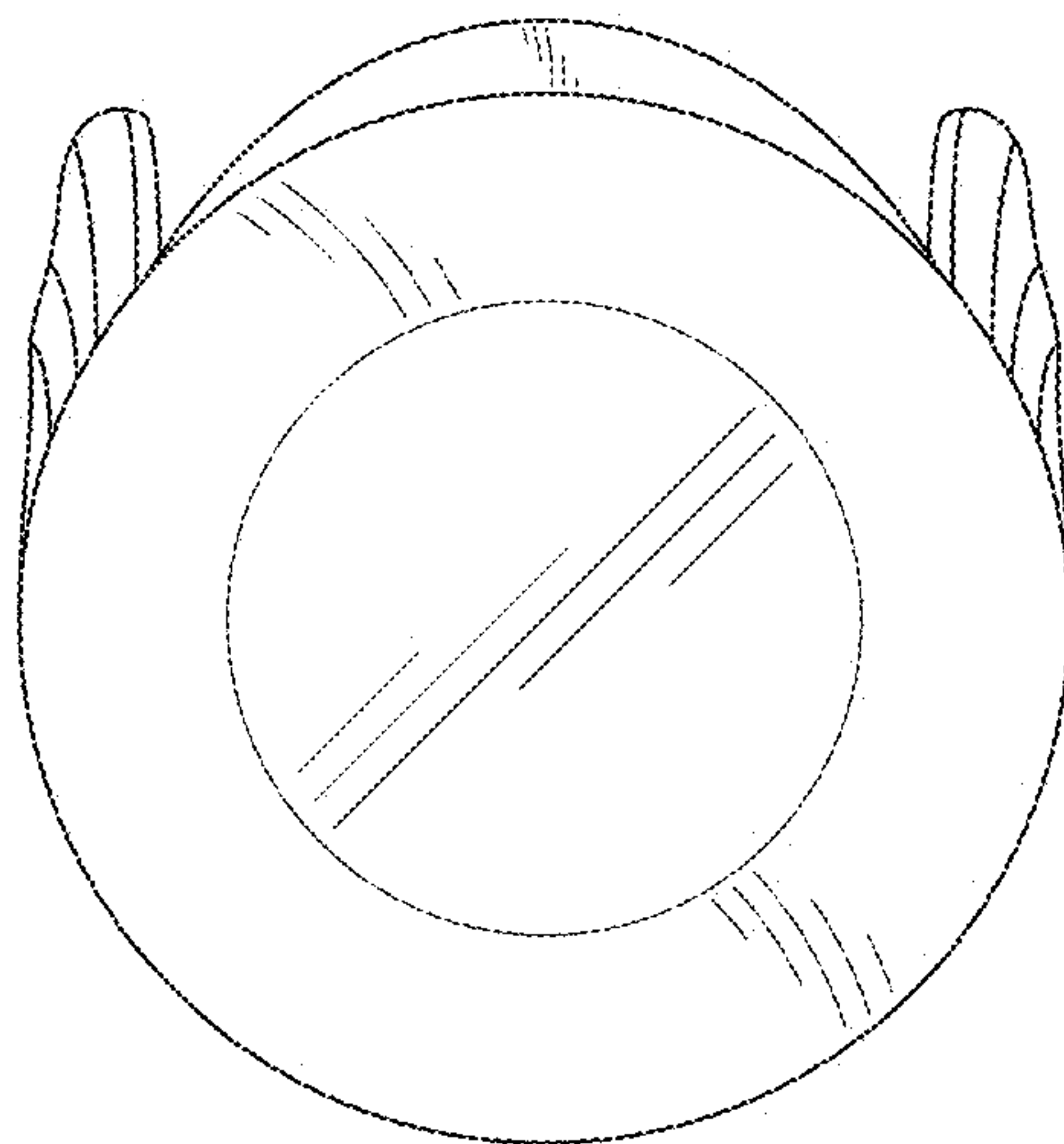


Fig. 7