



US00D726541S

(12) **United States Design Patent**
Xu et al.

(10) **Patent No.:** **US D726,541 S**
(45) **Date of Patent:** **** Apr. 14, 2015**

(54) **BOTTLE**

(71) Applicant: **Conopco, Inc.**, Englewood Cliffs, NJ
(US)

(72) Inventors: **Bo Xu**, Shanghai (CN); **Xin Xin**,
Shanghai (CN)

(73) Assignee: **Conopco, Inc.**, Englewood Cliffs, NJ
(US)

(**) Term: **14 Years**

(21) Appl. No.: **29/469,906**

(22) Filed: **Oct. 16, 2013**

(30) **Foreign Application Priority Data**

Apr. 26, 2013 (EM) 002227850-0001

(51) **LOC (10) Cl.** **09-01**

(52) **U.S. Cl.**
USPC **D9/521; D9/529; D9/565; D9/574;**
D9/449

(58) **Field of Classification Search**
USPC D9/682, 685-687, 693-694, 516, 521,
D9/522, 530, 542-543, 552, 565, 571,
D9/574-575, 435, 446-449; 215/382-384;
220/660, 669, 675

See application file for complete search history.

(56) **References Cited**

U.S. PATENT DOCUMENTS

3,342,379 A * 9/1967 Foley 222/173
D328,246 S * 7/1992 Nottingham et al. D9/521 X
D444,390 S * 7/2001 Kokenge et al. D9/542
D445,338 S * 7/2001 Helleu D9/521
D447,694 S * 9/2001 Leggett D9/521
D457,063 S * 5/2002 Bakic D9/521
D460,697 S * 7/2002 Del Bon D9/565

D467,807 S * 12/2002 Bakic D9/521
D478,815 S * 8/2003 Joubert D9/529
D519,383 S * 4/2006 Stolle D9/565
D527,636 S * 9/2006 Bakic D9/521
D527,637 S * 9/2006 Bakic D9/521
D531,050 S * 10/2006 Brandt D9/687
D597,411 S * 8/2009 Colatrella et al. D9/542
D609,097 S * 2/2010 Almstead et al. D9/521
D609,098 S * 2/2010 Almstead et al. D9/521
D624,424 S * 9/2010 Fiore et al. D9/521
D632,577 S * 2/2011 Drake et al. D9/521
D632,970 S * 2/2011 Drake et al. D9/558
D649,474 S * 11/2011 Toh et al. D9/565
D661,991 S * 6/2012 Brummelhuis et al. D9/529
D661,992 S * 6/2012 Brummelhuis et al. D9/529
D666,501 S * 9/2012 Brummelhuis et al. D9/694
D691,050 S * 10/2013 Brummelhuis et al. D9/516
D696,123 S * 12/2013 Brummelhuis et al. D9/516
D701,122 S * 3/2014 Brummelhuis et al. ... D9/565 X

OTHER PUBLICATIONS

Copending application for DM8705US1; Xu et al.; U.S. Appl. No.
29/469,907, filed Oct. 16, 2013 for Bottle.

* cited by examiner

Primary Examiner — Carol P Rademaker

(74) *Attorney, Agent, or Firm* — Ronald A. Koatz

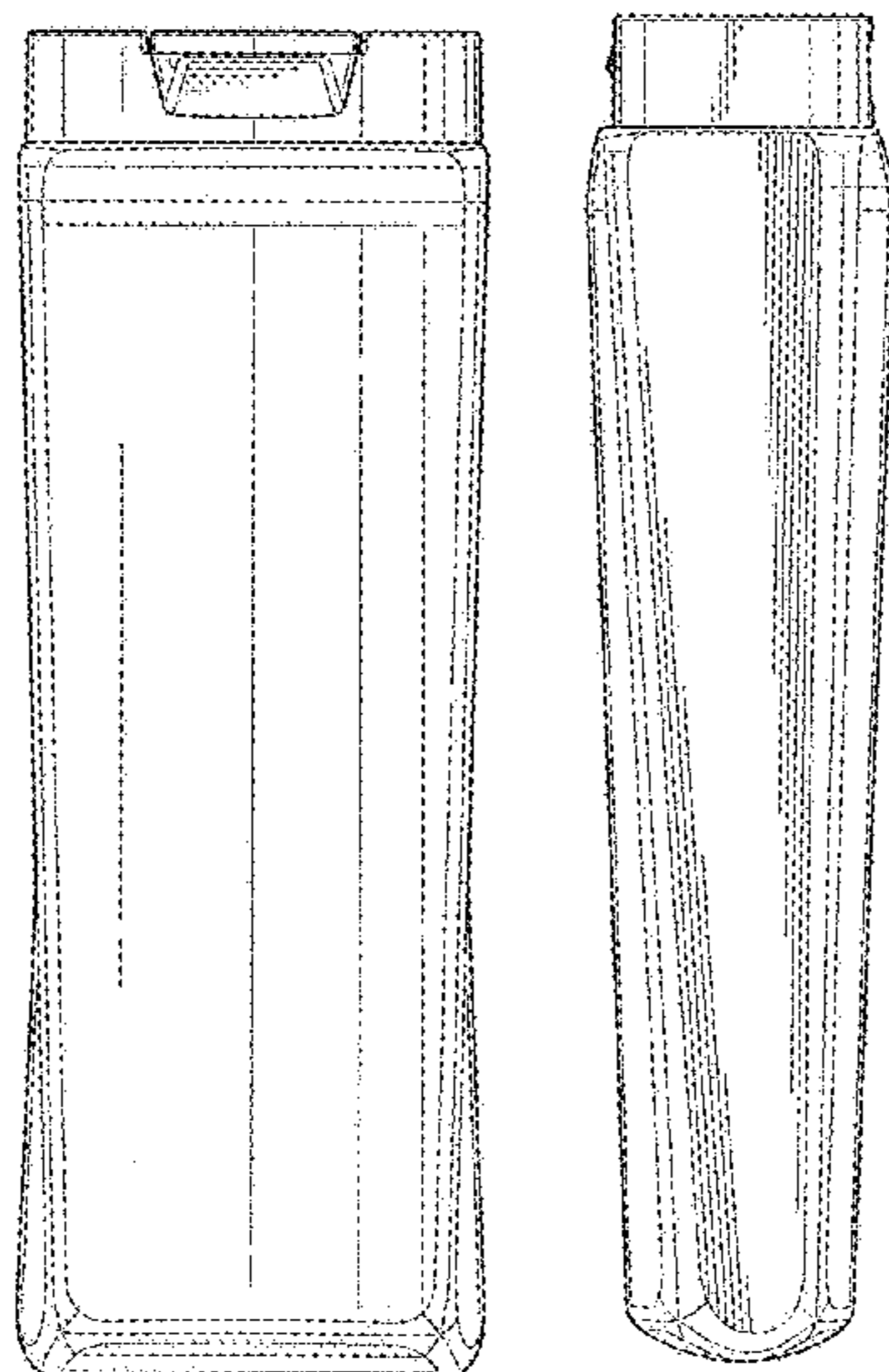
(57) **CLAIM**

The ornamental design for a bottle, as shown and described.

DESCRIPTION

FIG. 1 is a top, front, right side perspective view of our bottle;
FIG. 2 is a front elevational view thereof;
FIG. 3 is a rear elevational view thereof;
FIG. 4 is a left side elevational view thereof;
FIG. 5 is a right side elevational view thereof;
FIG. 6 is a top plan view thereof; and,
FIG. 7 is a bottom plan view thereof.

1 Claim, 4 Drawing Sheets



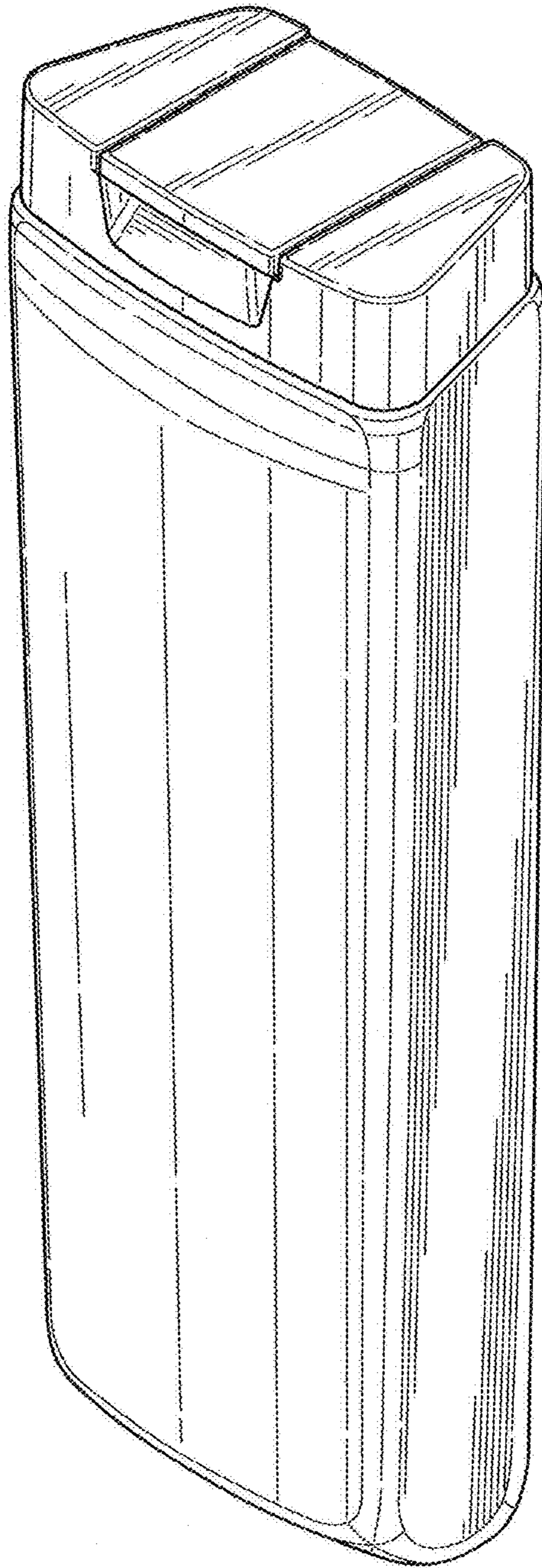


Fig. 1

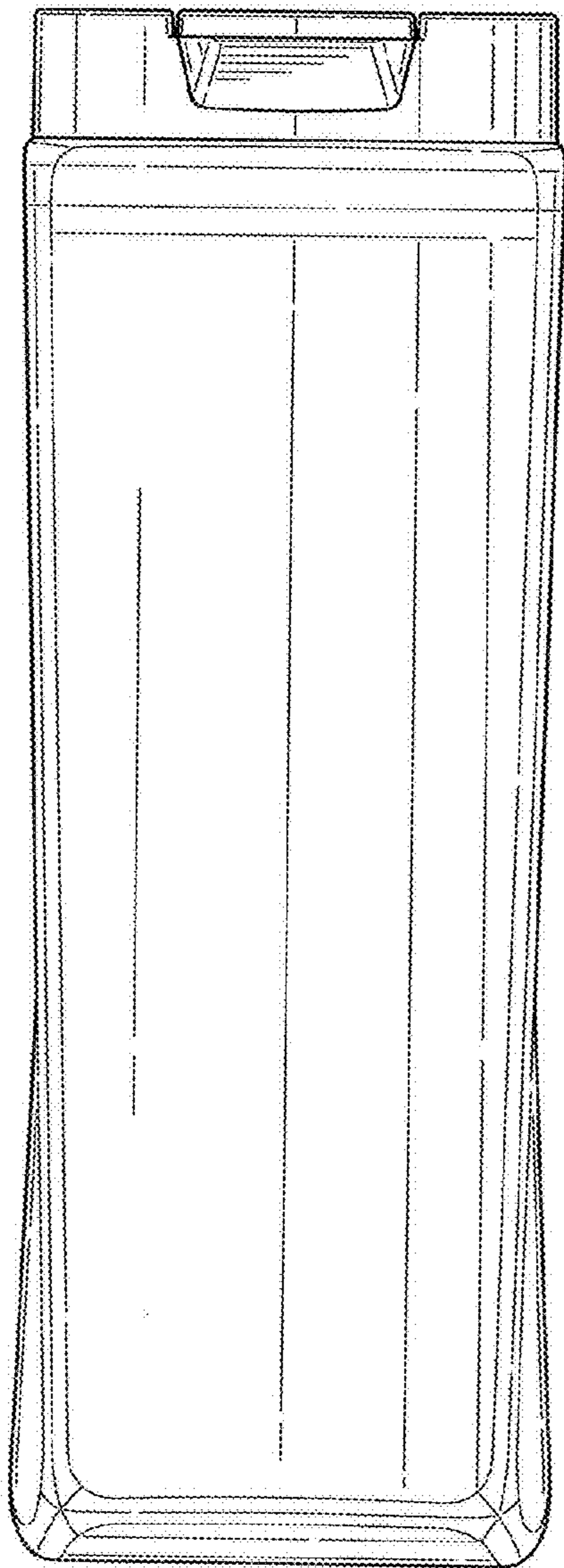


Fig. 2

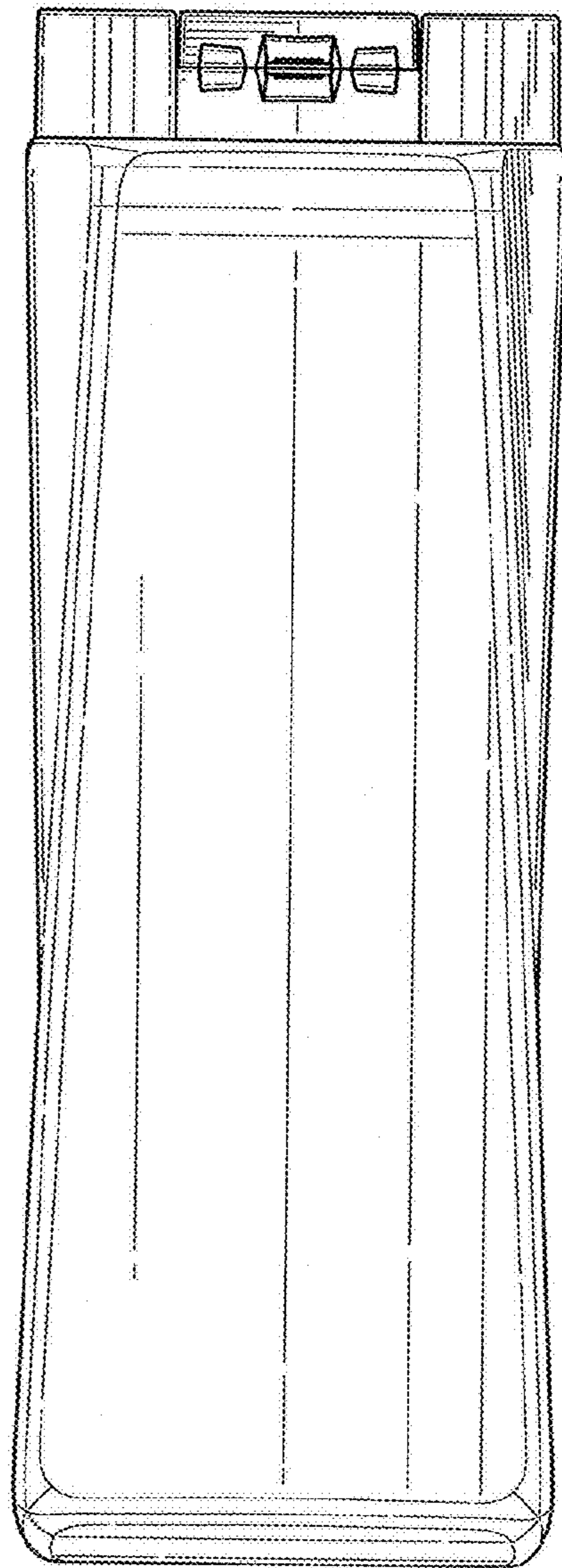


Fig. 3

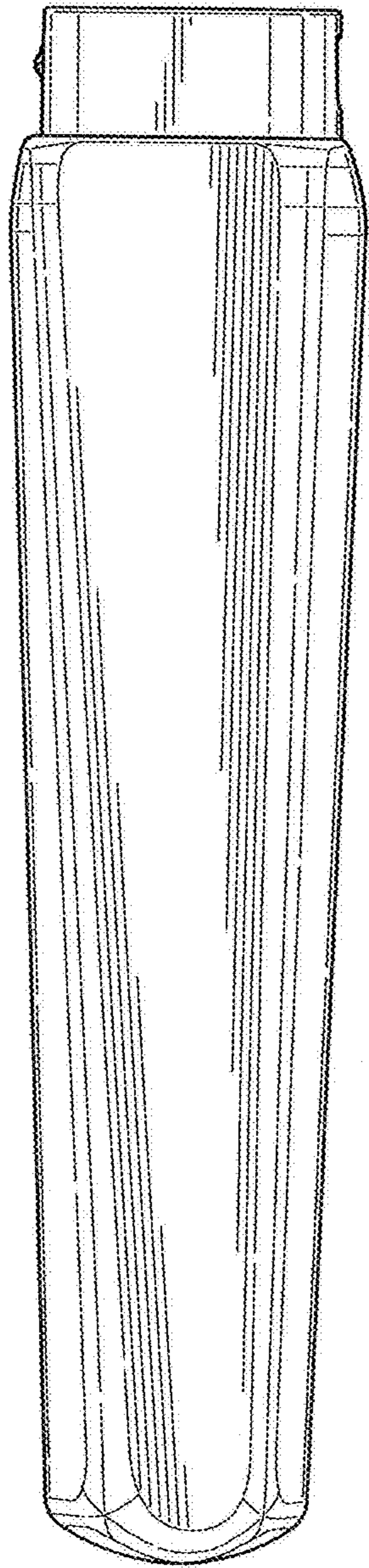


Fig. 4

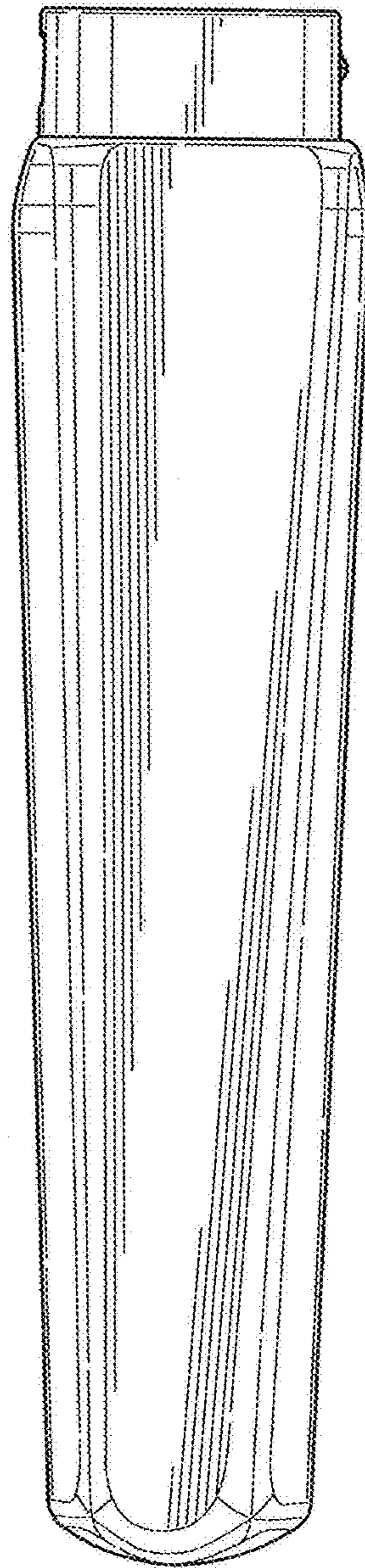


Fig. 5

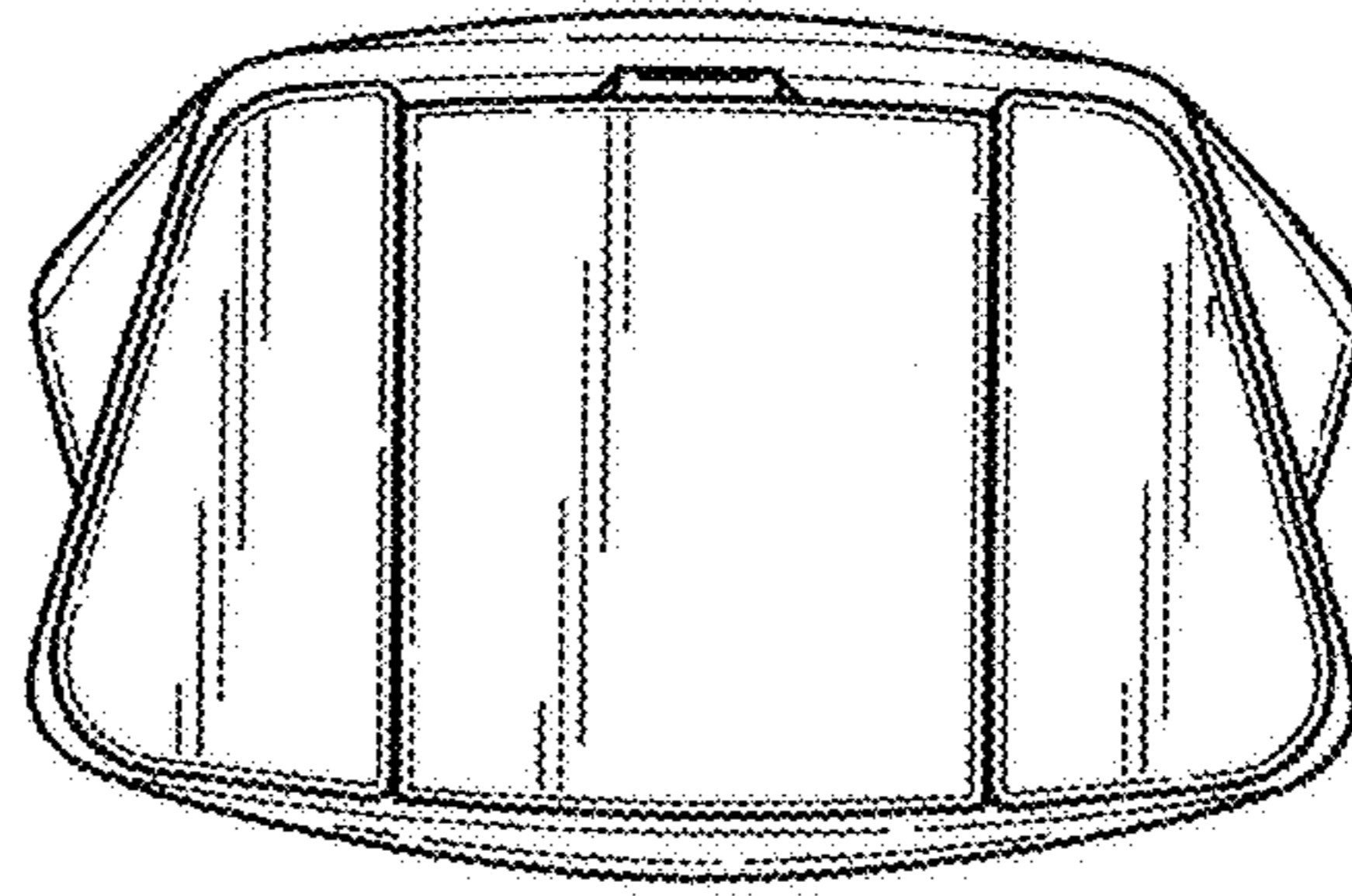


Fig. 6

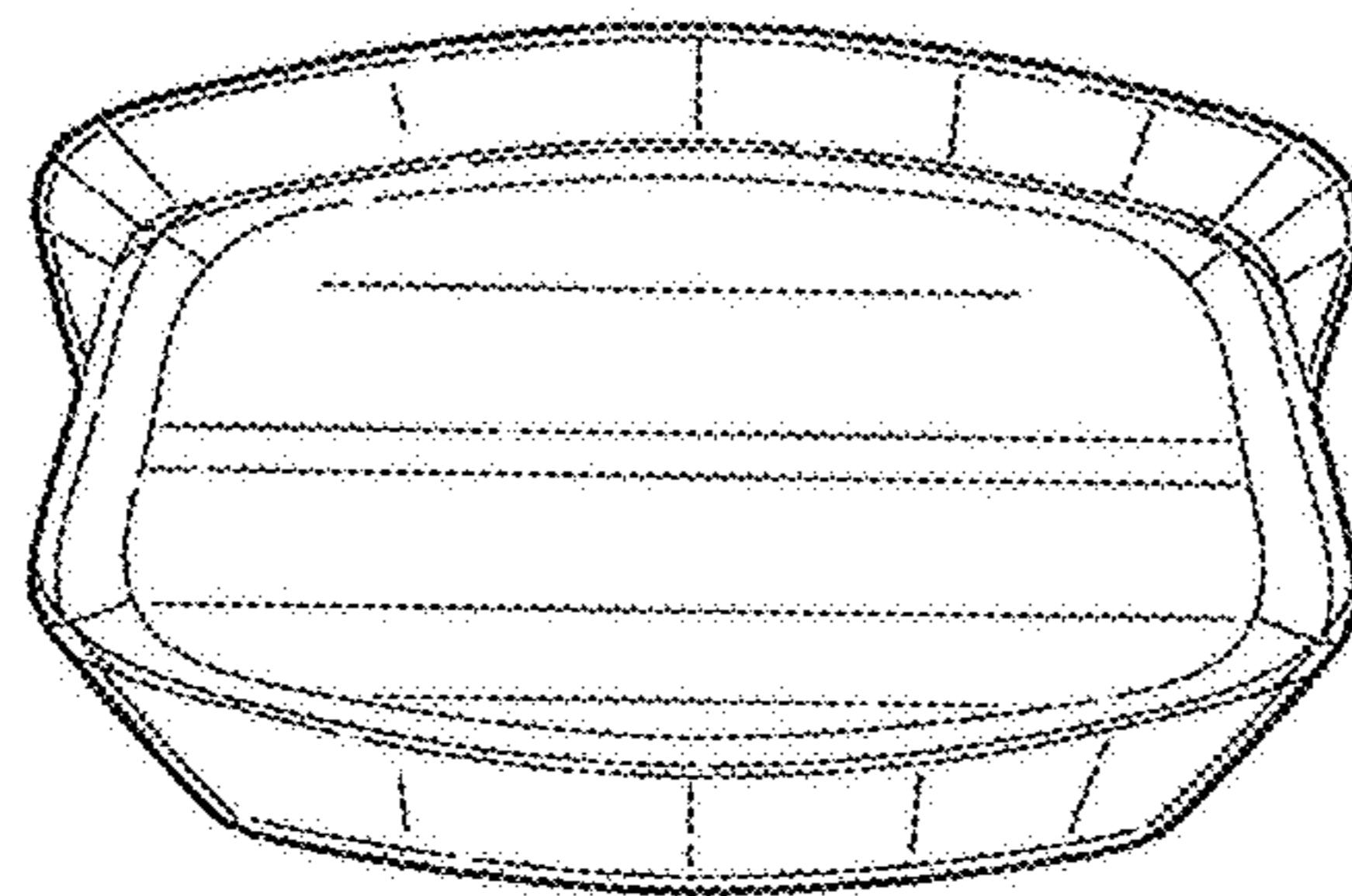


Fig. 7