



US00D726539S

(12) **United States Design Patent**
Paredes et al.

(10) **Patent No.:** **US D726,539 S**
(45) **Date of Patent:** **** Apr. 14, 2015**

- (54) **BOTTLE**
- (71) Applicant: **Owens-Brockway Glass Container Inc.**, Perrysburg, OH (US)
- (72) Inventors: **Raul M. Paredes**, Perrysburg, OH (US); **Douglas Laib**, Perrysburg, OH (US); **Mindy Paige**, Wauseon, OH (US)
- (73) Assignee: **Owens-Brockway Glass Container Inc.**, Perrysburg, OH (US)
- (**) Term: **14 Years**
- (21) Appl. No.: **29/482,497**
- (22) Filed: **Feb. 19, 2014**
- Related U.S. Application Data**
- (62) Division of application No. 29/453,870, filed on May 3, 2013, now Pat. No. Des. 703,538.
- (51) **LOC (10) Cl.** **09-01**
- (52) **U.S. Cl.**
USPC **D9/500**; D9/516
- (58) **Field of Classification Search**
CPC B65D 1/00; B65D 1/02; B65D 1/12; B65D 1/14; B65D 1/16; B65D 1/165; B65D 23/00; B65D 81/00; B65D 2501/00; B65D 2501/0009
USPC D9/500, 502-505, 516, 537-540, 545, D9/549, 558, 682, 686, 688-691, 529, 530, D9/541, 544, 685, 715, 719, 724, 763-764, D9/772, 776-777; 215/379, 381-384; 220/660, 669-673, 675; D7/300, D7/300.1, 598; D24/197
See application file for complete search history.

- (56) **References Cited**
- U.S. PATENT DOCUMENTS**
- D52,423 S 9/1918 Anderson
(Continued)
- FOREIGN PATENT DOCUMENTS**
- WO DM/072412 * 9/2009
- WO DM/074828 * 12/2012
- OTHER PUBLICATIONS**

EM000289905-0001; European Union design registration; Publication Date May 4, 2005; Owner—Britvic Soft Drinks Limited.

Primary Examiner — Ian Simmons
Assistant Examiner — Dana L Meyrow

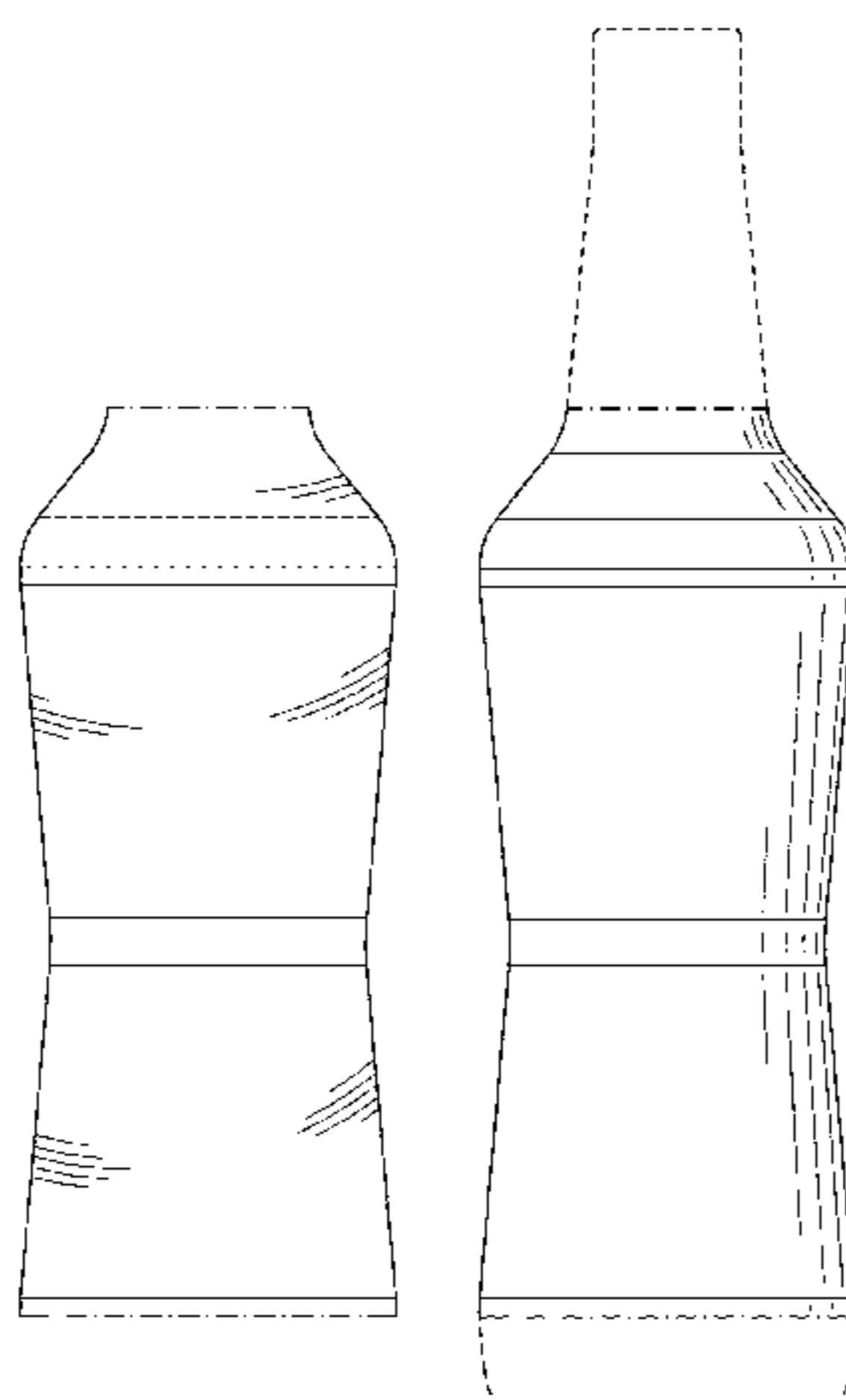
(57) **CLAIM**
We claim an ornamental design for a bottle, as shown and described.

DESCRIPTION

FIG. 1 is a front elevation view of a bottle in accordance with a first embodiment of our new design; FIG. 2 is a perspective view thereof; FIG. 3 is a top plan view thereof; FIG. 4 is a front elevation view of a bottle in accordance with a second embodiment of our new design; FIG. 5 is a perspective view thereof; FIG. 6 is a top plan view thereof; FIG. 7 is a front elevation view of a bottle in accordance with a third embodiment of our new design; FIG. 8 is a perspective view thereof; FIG. 9 is a top plan view thereof; FIG. 10 is a bottom plan view thereof; FIG. 11 is a front elevation view of a bottle in accordance with a fourth embodiment of our new design; FIG. 12 is a perspective view thereof; FIG. 13 is a top plan view thereof; FIG. 14 is a bottom plan view thereof; FIG. 15 is a front elevation view of a bottle in accordance with a fifth embodiment of our new design; FIG. 16 is a perspective view thereof; FIG. 17 is a top plan view thereof; FIG. 18 is a front elevation view of a bottle in accordance with a sixth embodiment of our new design; FIG. 19 is a perspective view thereof; FIG. 20 is a top plan view thereof; FIG. 21 is a front elevation view of a bottle in accordance with a seventh embodiment of our new design; FIG. 22 is a perspective view thereof; FIG. 23 is a top plan view thereof; FIG. 24 is a bottom plan view thereof; FIG. 25 is a front elevation view of a bottle in accordance with an eighth embodiment of our new design; FIG. 26 is a perspective view thereof; FIG. 27 is a top plan view thereof; and, FIG. 28 is a bottom plan view thereof.

The evenly dashed broken lines in the drawings illustrate the portions of the design that form no part of the claim. The dot-dash broken lines in the drawings define the bounds of the claim and form no part thereof.

1 Claim, 8 Drawing Sheets



(56)

References Cited

U.S. PATENT DOCUMENTS

D58,203 S 6/1921 Anderson
 D85,233 S 9/1931 Fuerst
 D131,470 S 3/1942 Key
 D193,032 S 6/1962 Waser
 D231,087 S 4/1974 Edwards et al.
 3,823,032 A 7/1974 Ukai
 D272,990 S 3/1984 Strand
 5,158,190 A 10/1992 Sosenko
 D419,452 S 1/2000 DeVore
 D430,803 S 9/2000 Reis et al.
 D434,669 S 12/2000 Albright et al.
 D510,270 S 10/2005 Khalifa
 D528,000 S 9/2006 Davis et al.
 D531,903 S 11/2006 Haubein
 D535,563 S * 1/2007 Martin D9/500
 D536,616 S 2/2007 Rubin et al.
 D538,658 S 3/2007 Horne et al.
 D543,846 S * 6/2007 Kitamura et al. D9/500
 D545,194 S 6/2007 Goudsblom
 D550,558 S 9/2007 Van Besien et al.
 D559,694 S 1/2008 Le Bras-Brown et al.
 D564,892 S 3/2008 di Robilant et al.
 D572,589 S 7/2008 Coulis et al.
 D608,642 S 1/2010 Black
 D613,175 S 4/2010 Delbon

D620,361 S * 7/2010 Scott D9/500
 D620,800 S 8/2010 Thielman et al.
 D621,709 S 8/2010 Minakuchi
 D633,793 S 3/2011 Reagan et al.
 D634,206 S 3/2011 Eisen
 D639,659 S 6/2011 Biondich et al.
 D642,475 S 8/2011 Crutchley et al.
 D642,926 S 8/2011 Jamieson et al.
 D644,927 S 9/2011 White et al.
 D646,977 S 10/2011 Martin
 D647,405 S 10/2011 Lauret
 D652,723 S 1/2012 Reisig
 D655,610 S 3/2012 Rice et al.
 D658,995 S 5/2012 Potts
 D663,625 S 7/2012 Warneke et al.
 D664,439 S 7/2012 Malm
 D666,914 S 9/2012 Elstow et al.
 D667,729 S 9/2012 Nutley et al.
 D676,327 S 2/2013 Rice et al.
 D676,751 S 2/2013 Coyne et al.
 D677,169 S * 3/2013 Roos et al. D9/652
 D700,517 S * 3/2014 Oommen et al. D9/500
 D703,048 S * 4/2014 Lopez et al. D9/500
 D703,049 S * 4/2014 Riley et al. D9/500
 D703,050 S * 4/2014 Lopez et al. D9/503
 D703,051 S * 4/2014 Riley et al. D9/503
 D703,538 S * 4/2014 Paredes et al. D9/500

* cited by examiner

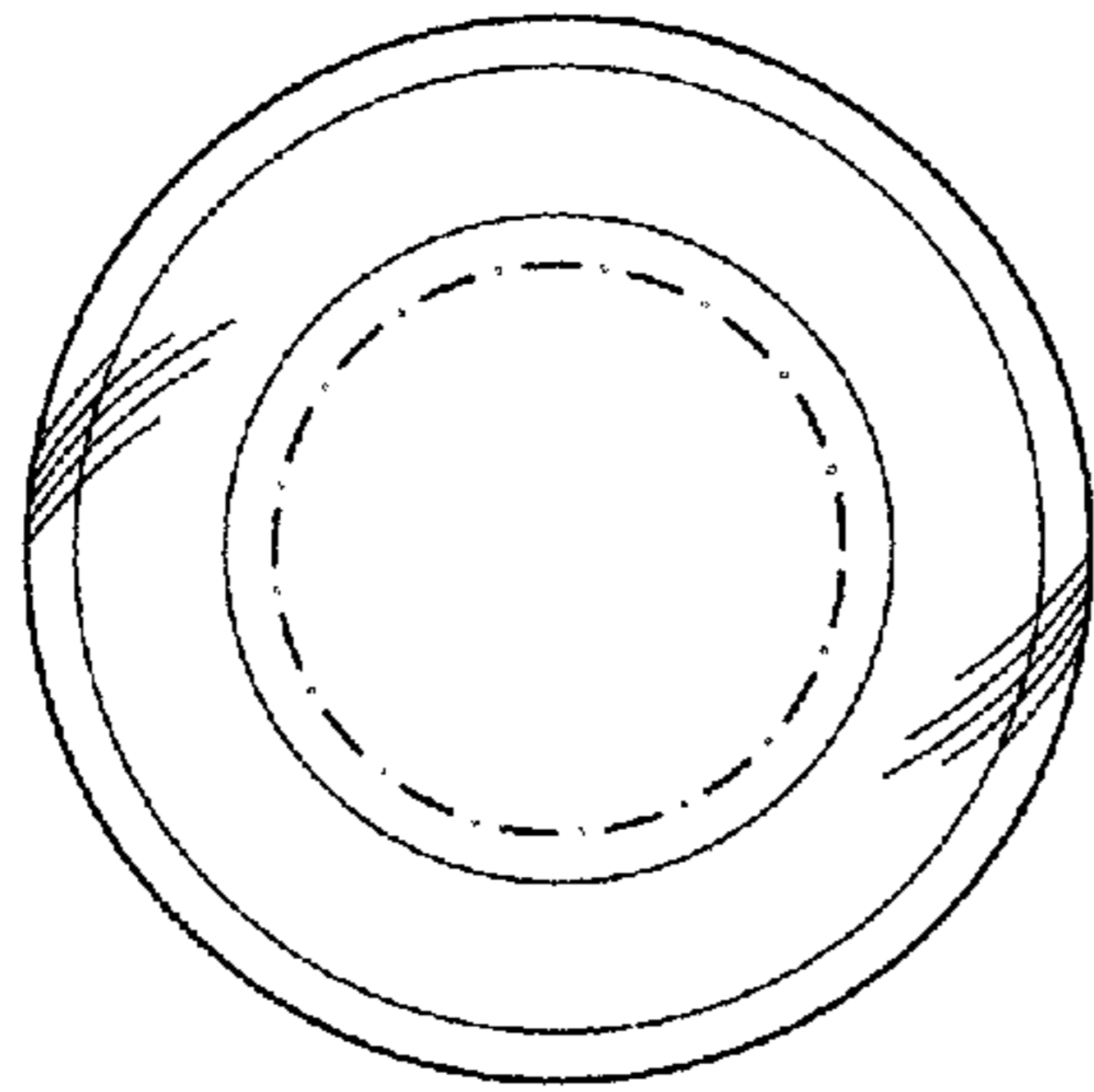


FIG. 3

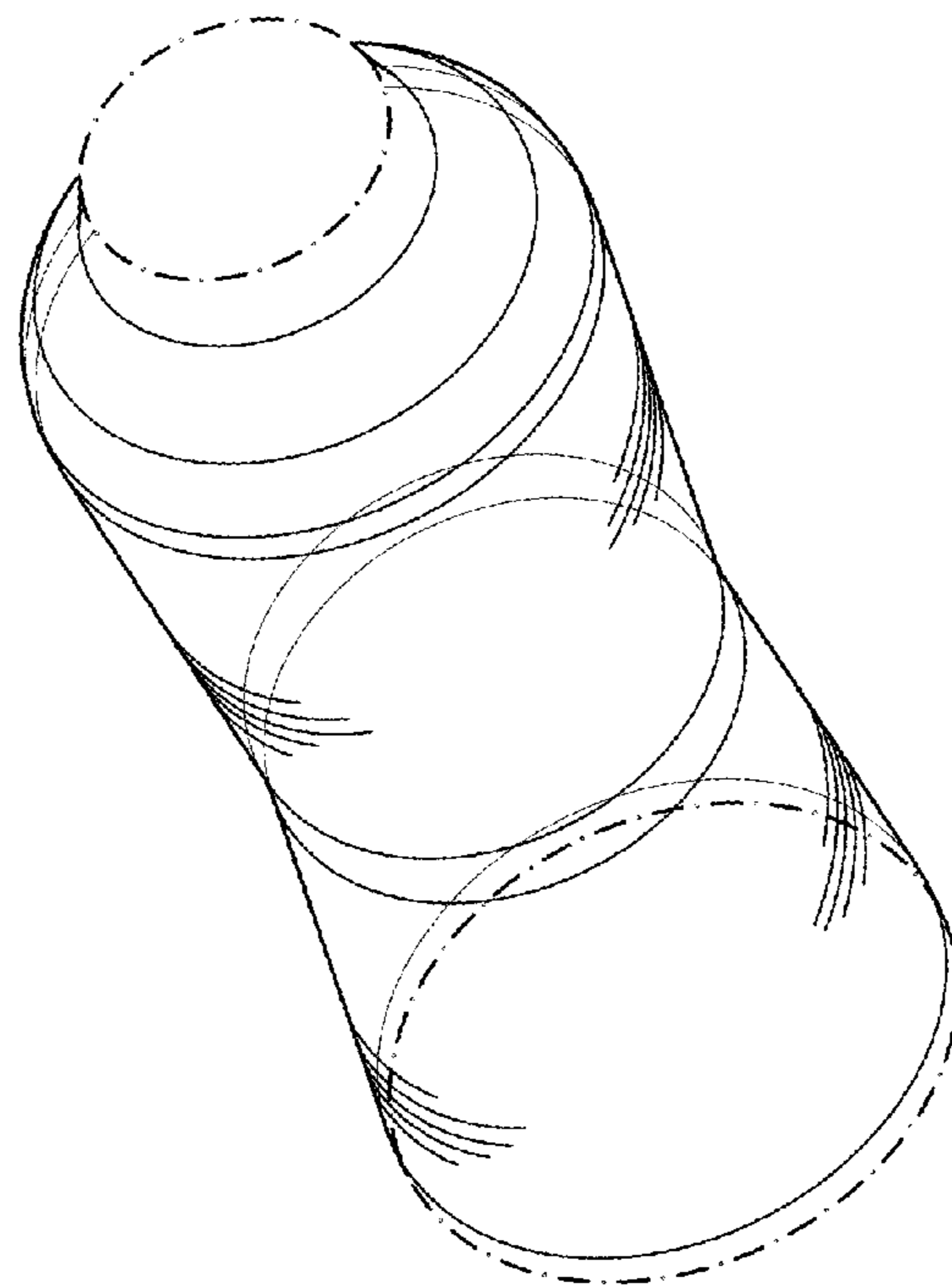


FIG. 2

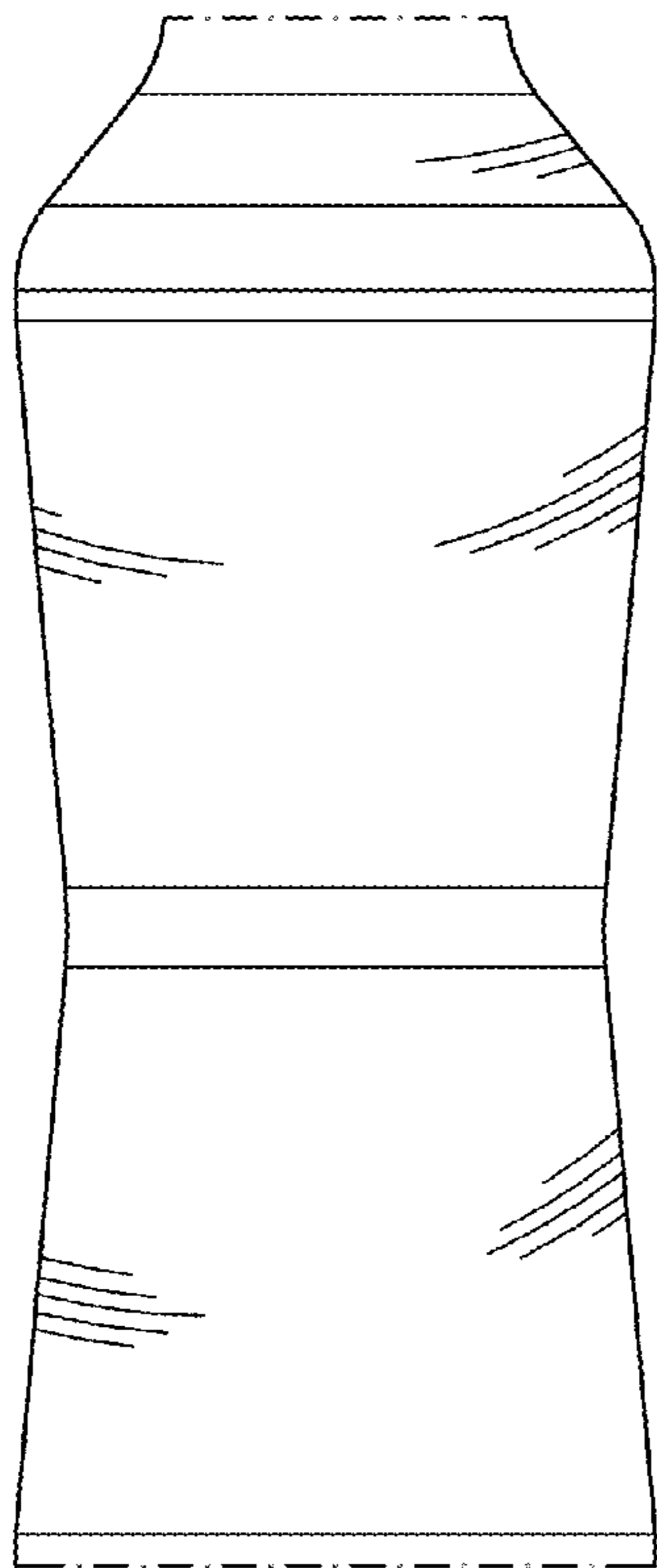


FIG. 1

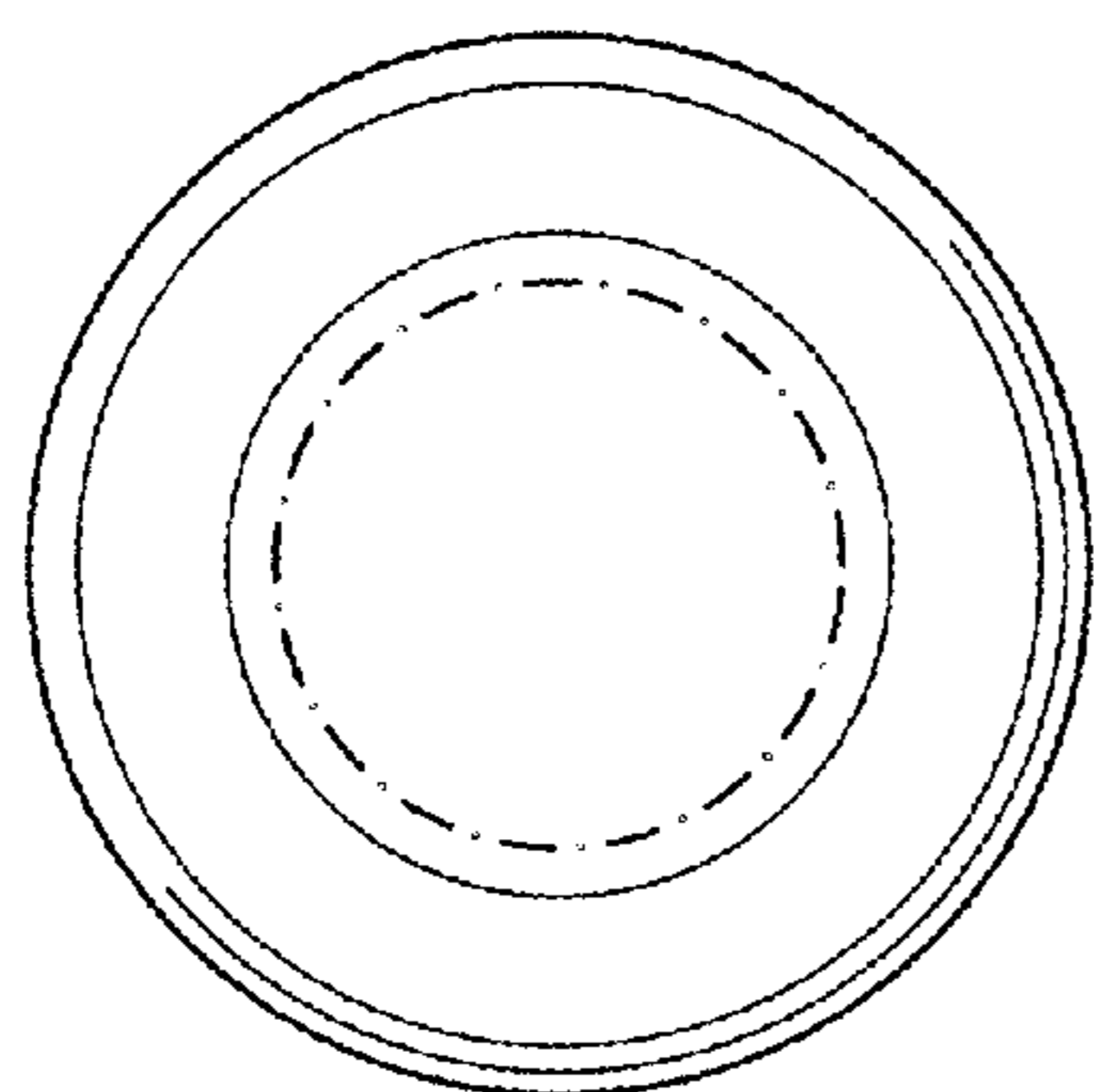


FIG. 6

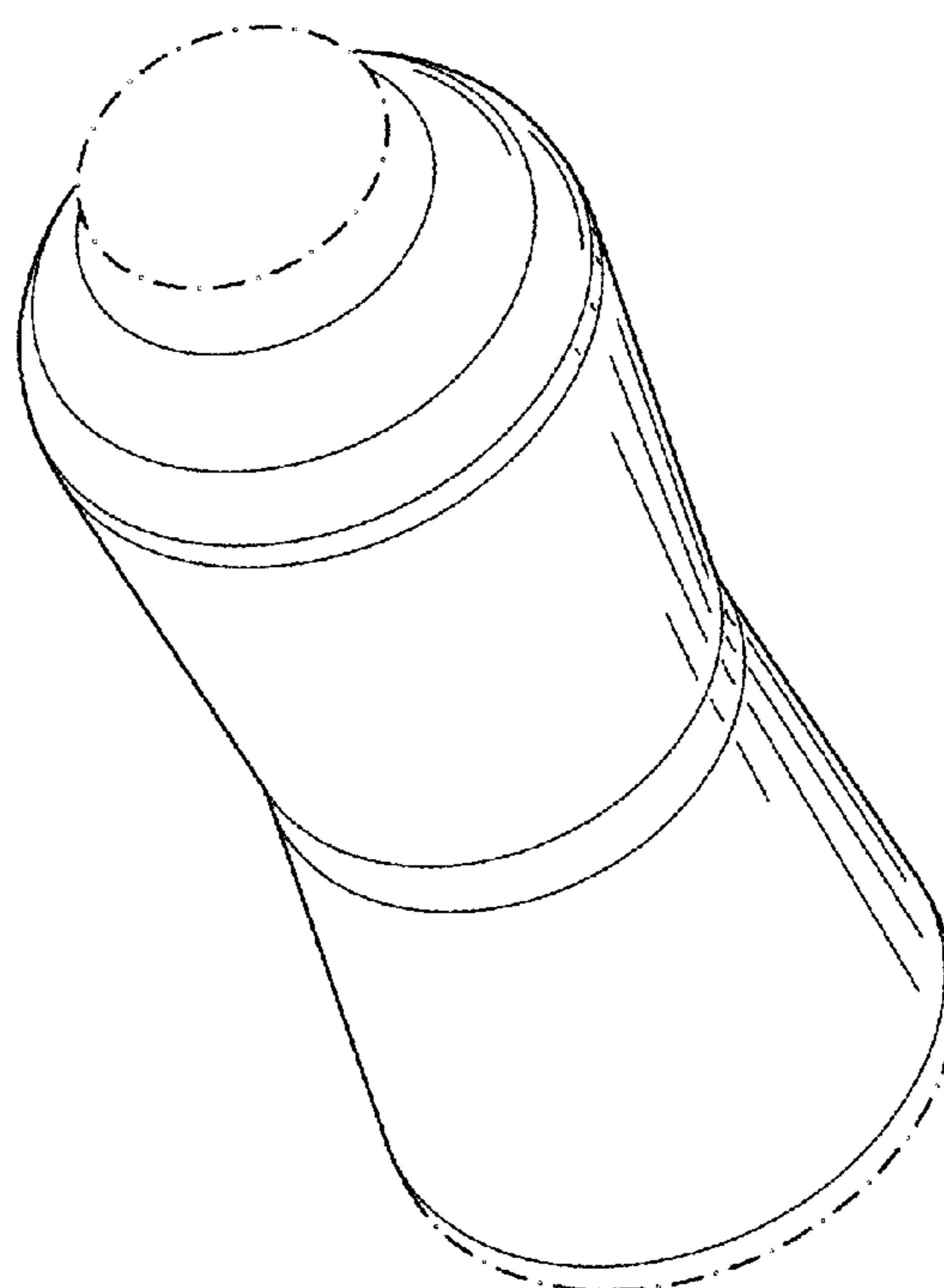


FIG. 5

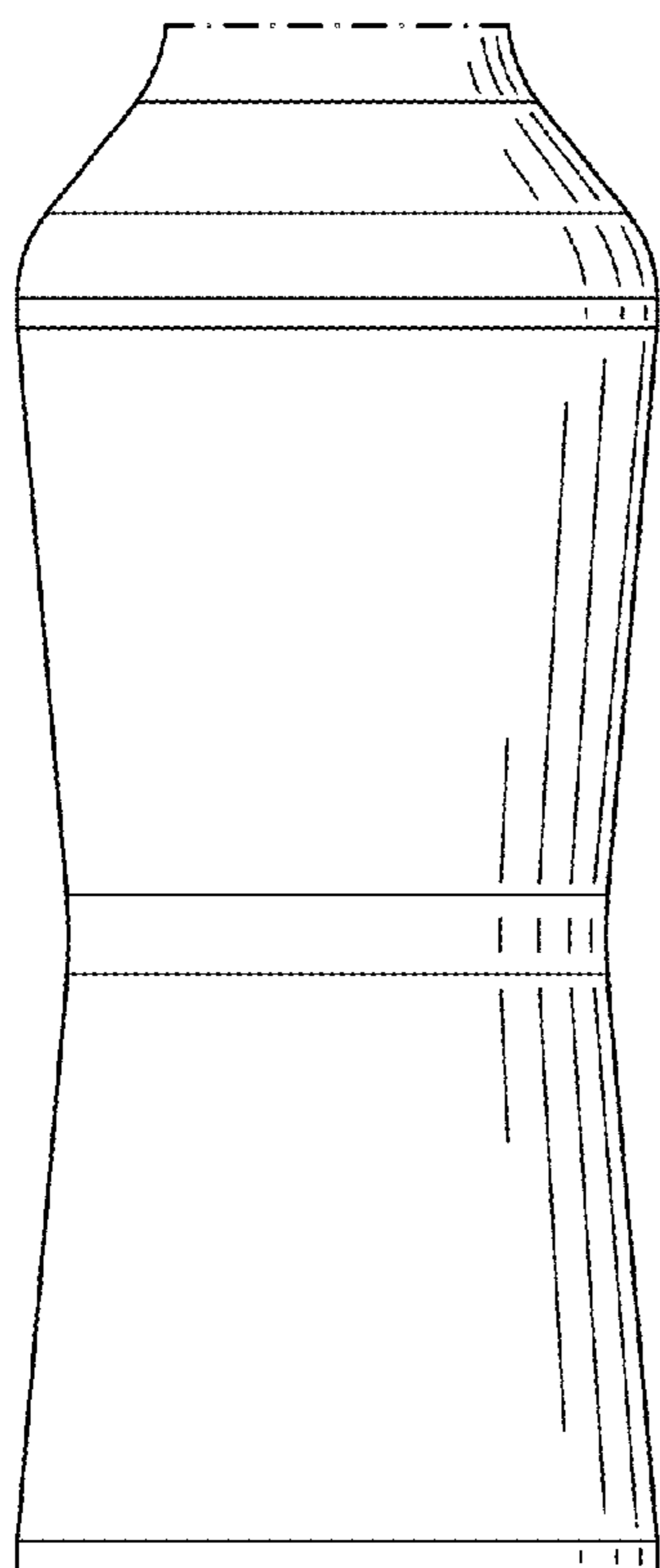


FIG. 4

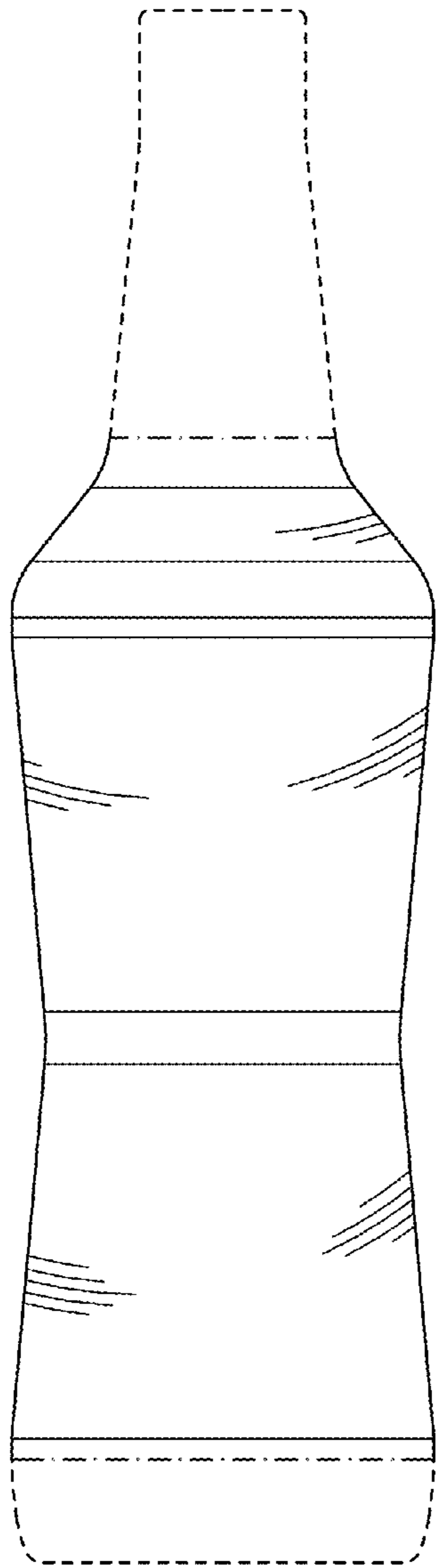


FIG. 7

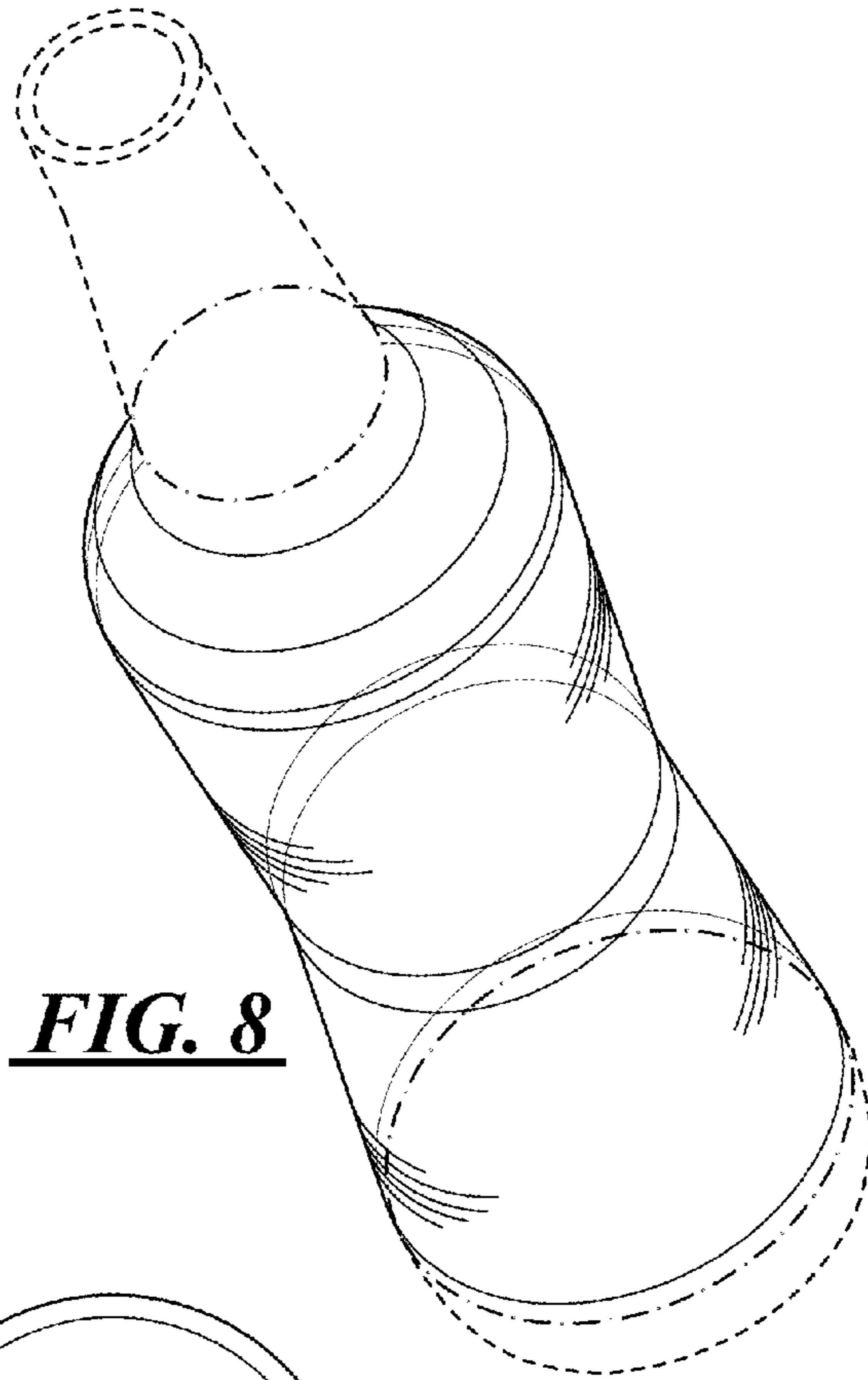


FIG. 8

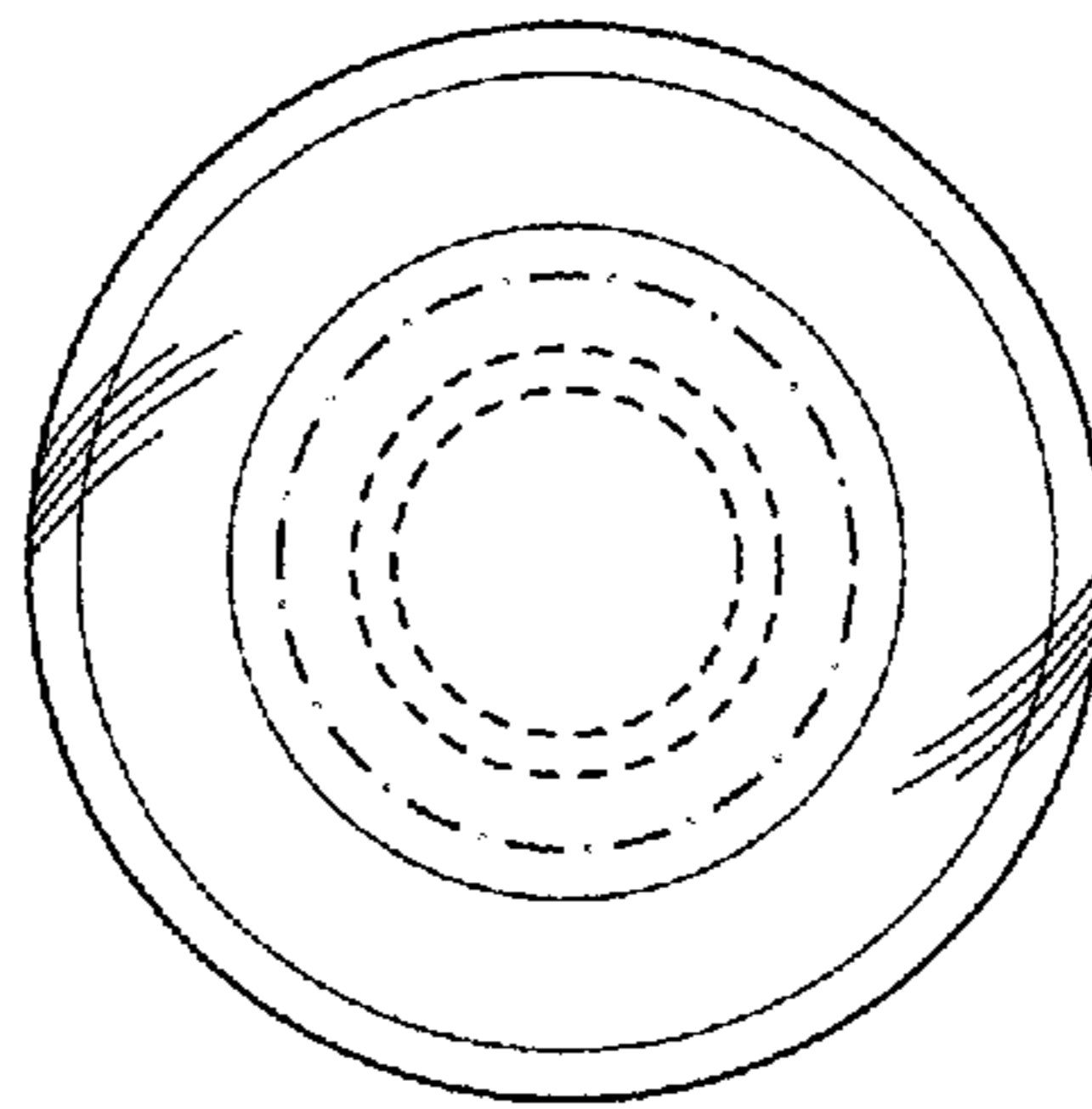


FIG. 9

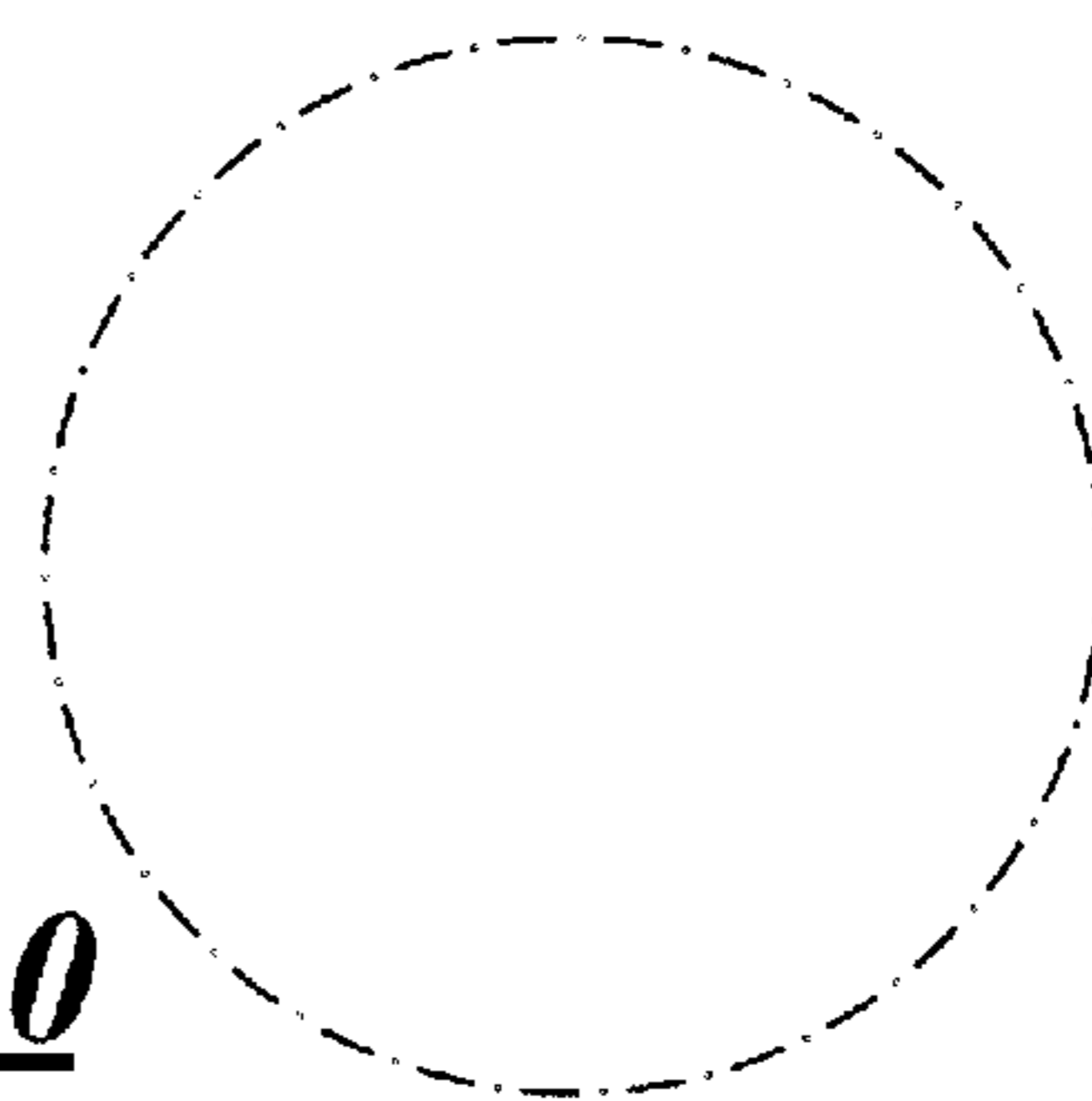


FIG. 10

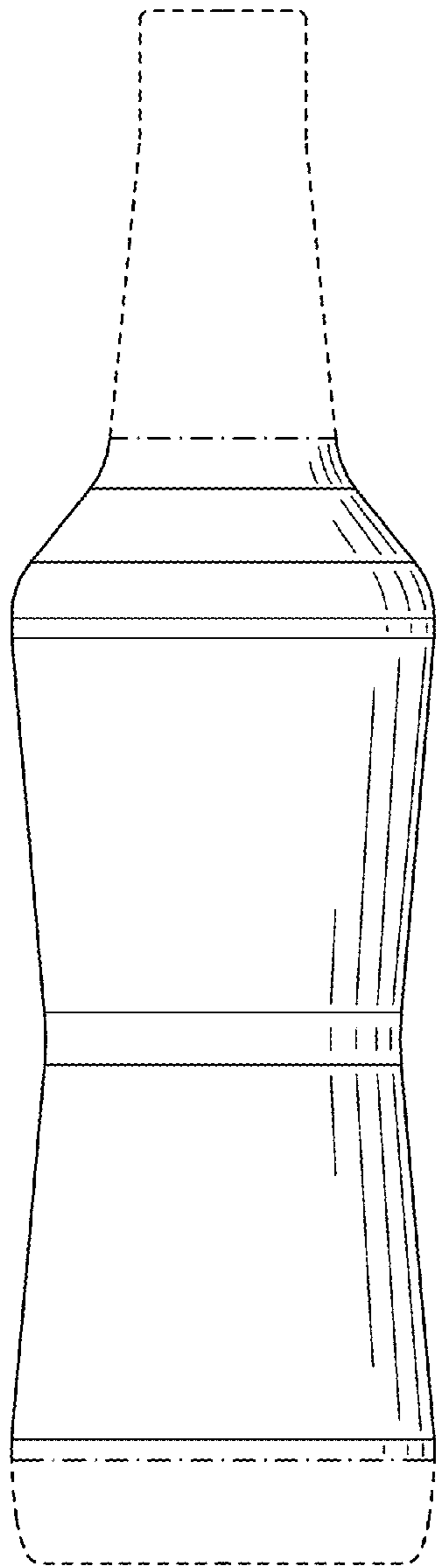


FIG. 11

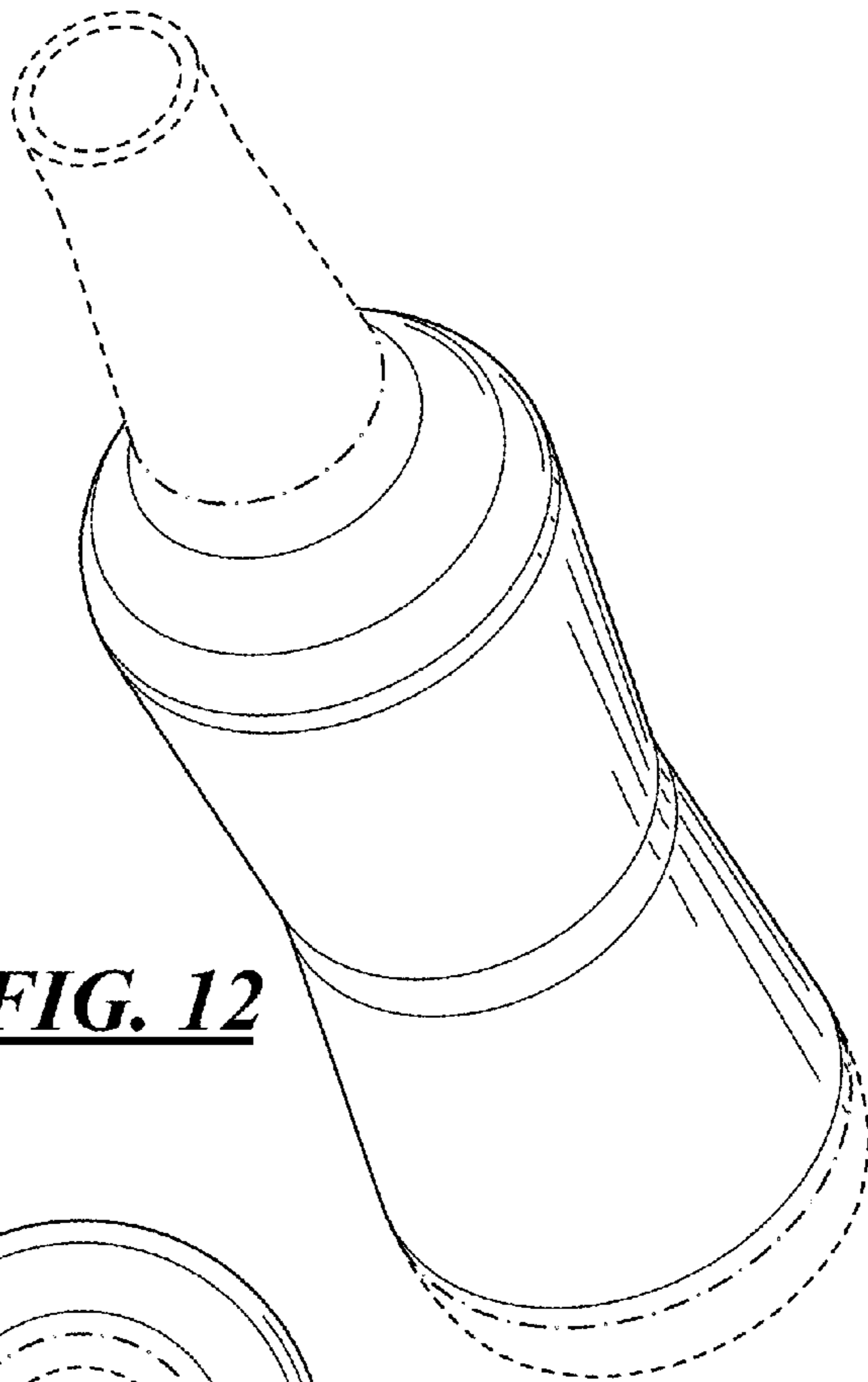


FIG. 12

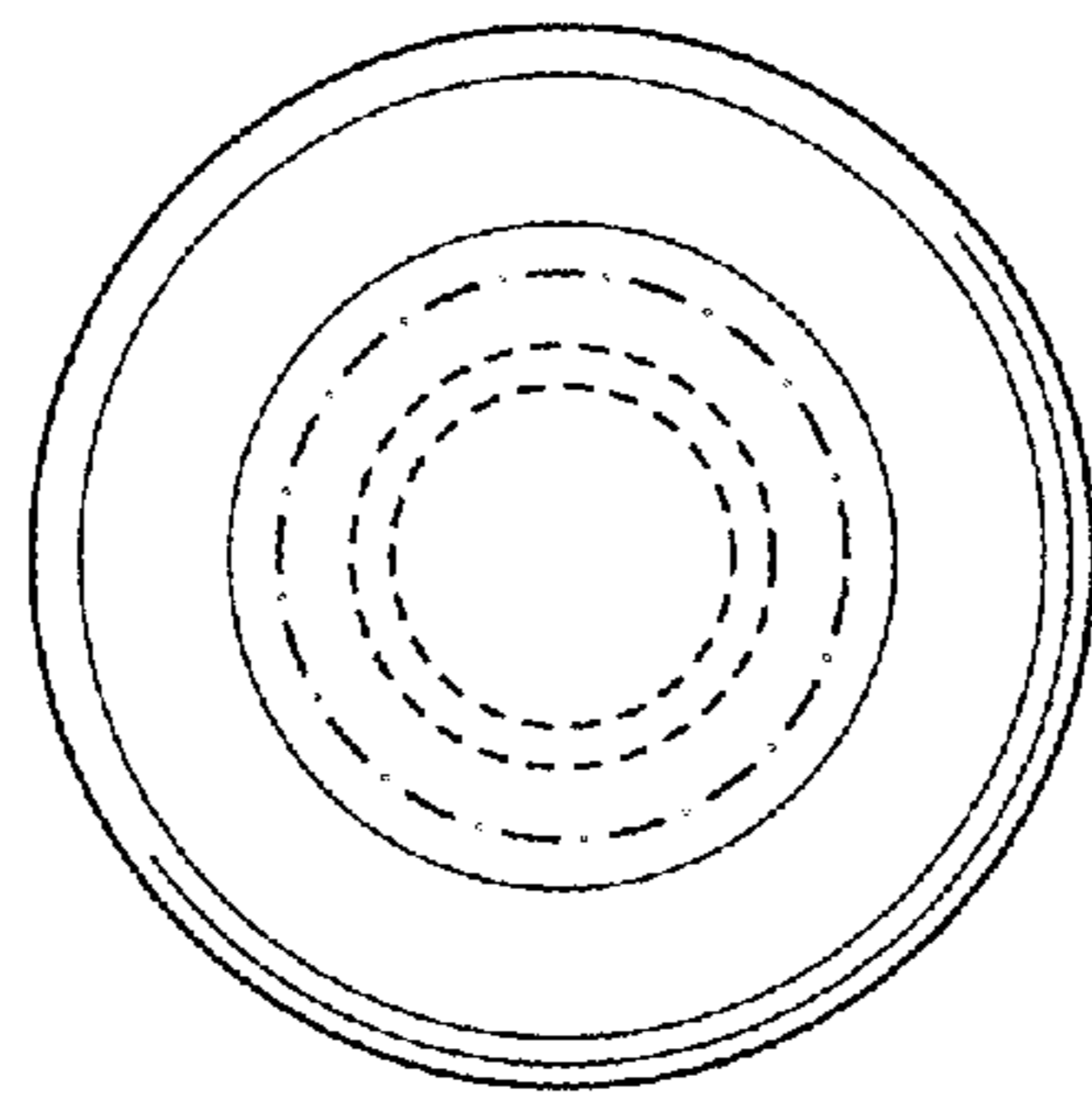


FIG. 13

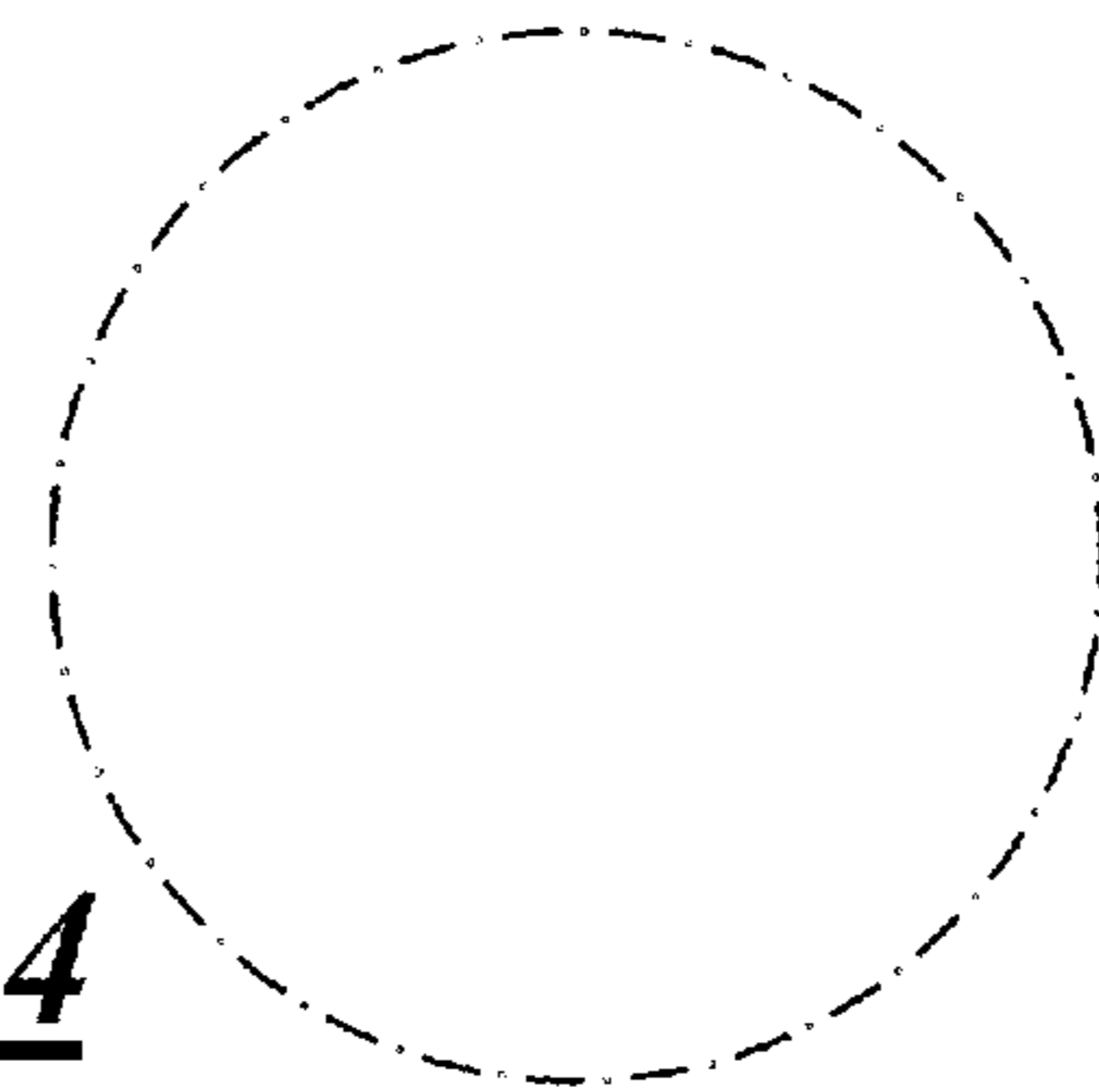


FIG. 14

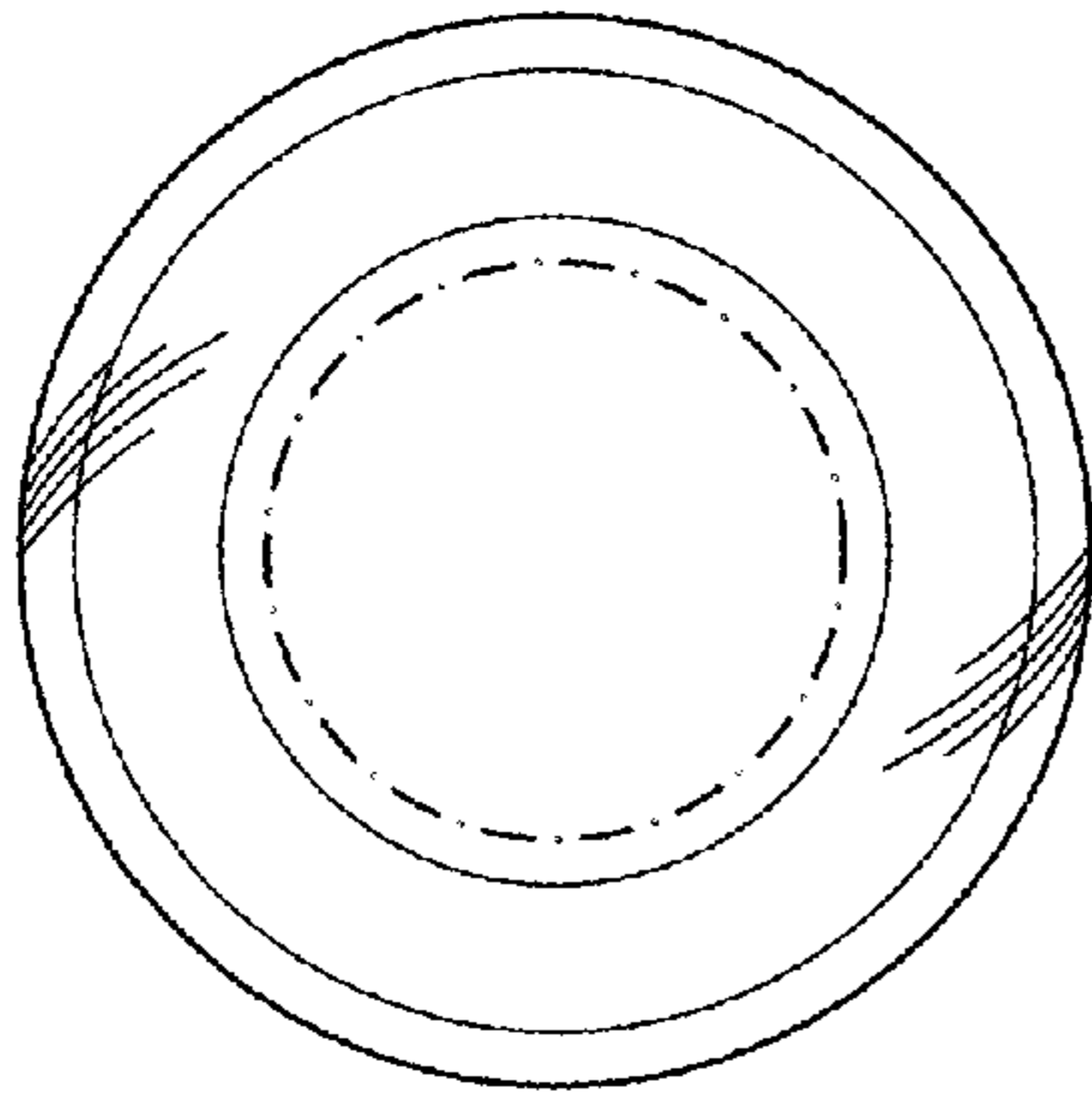


FIG. 17

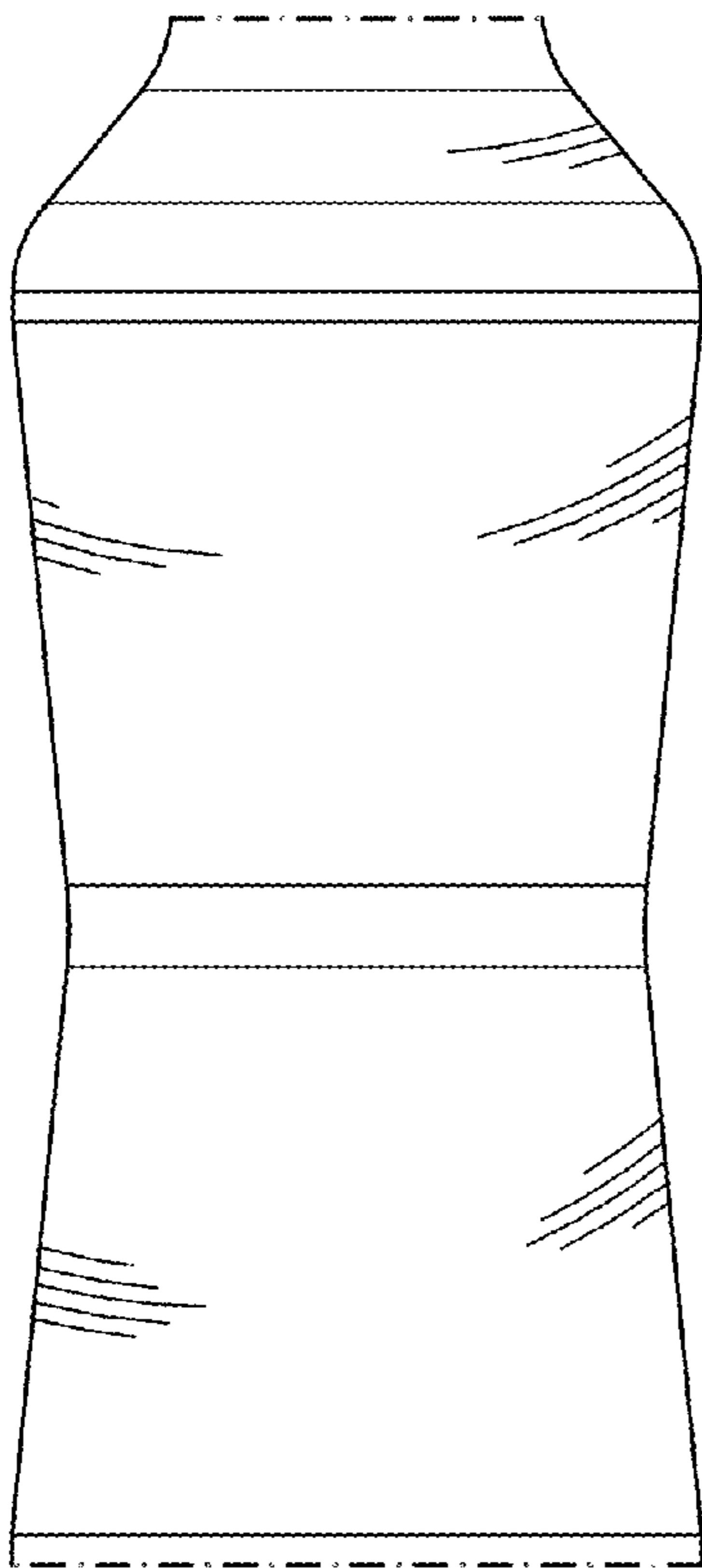


FIG. 15

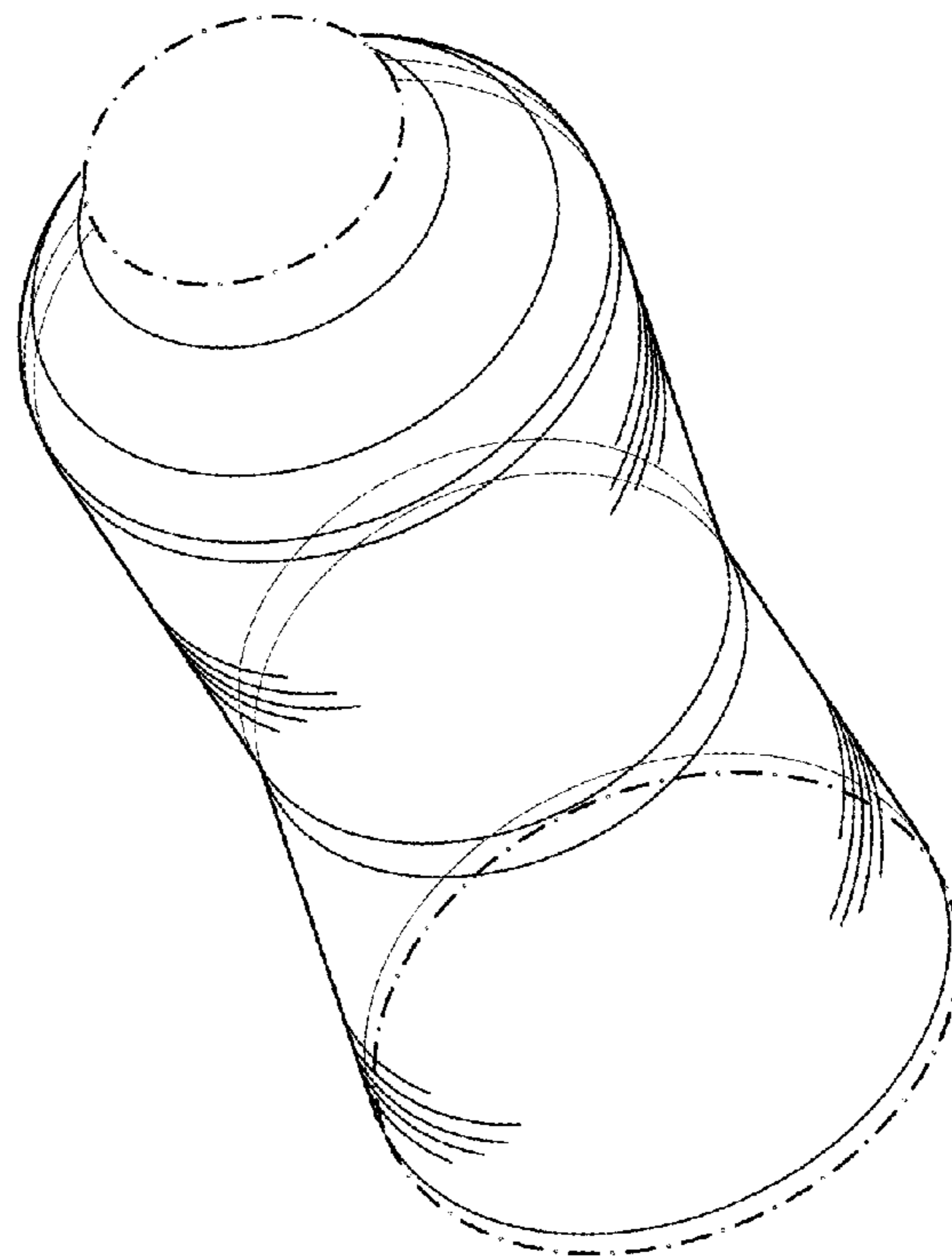


FIG. 16

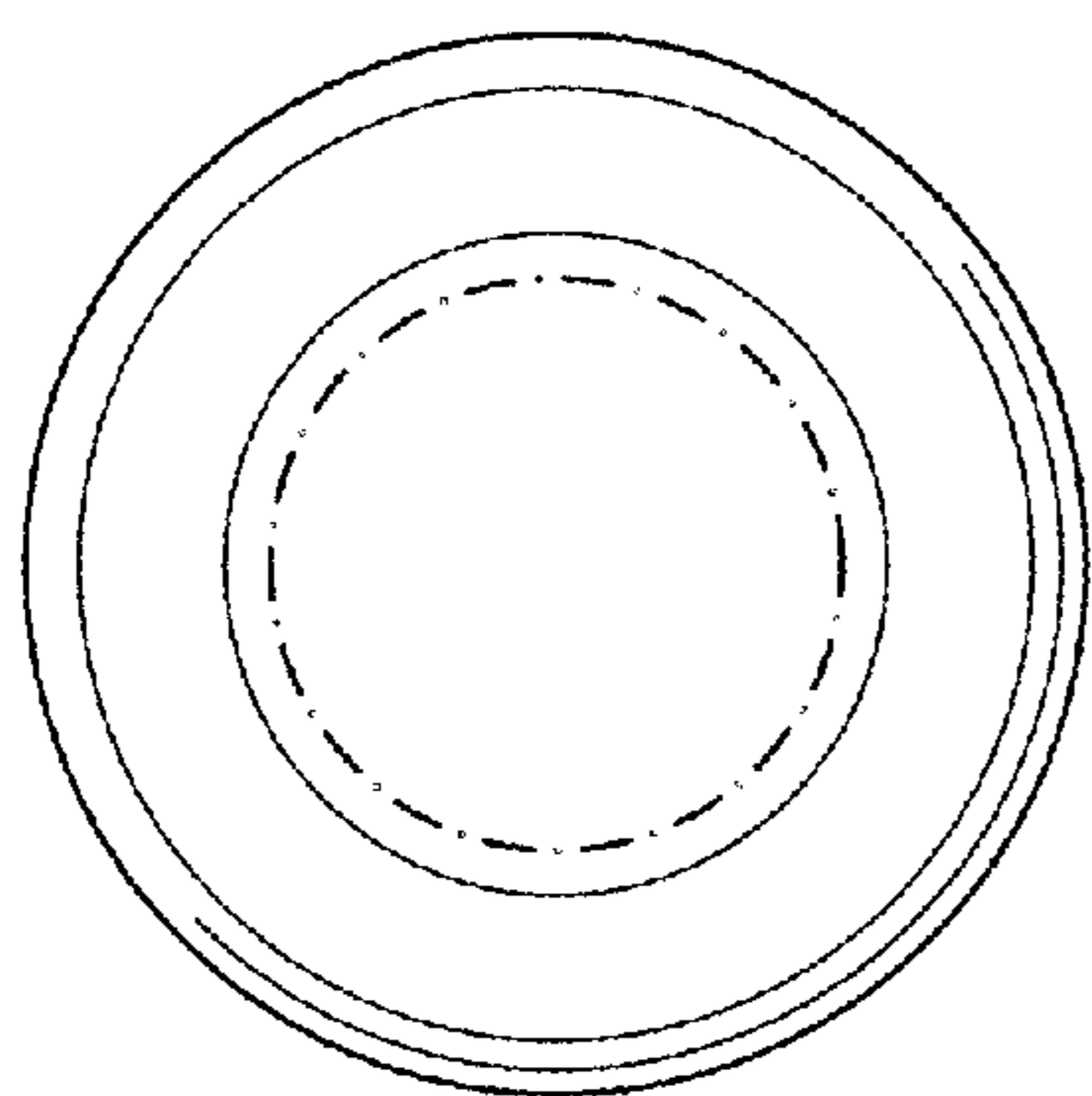


FIG. 20

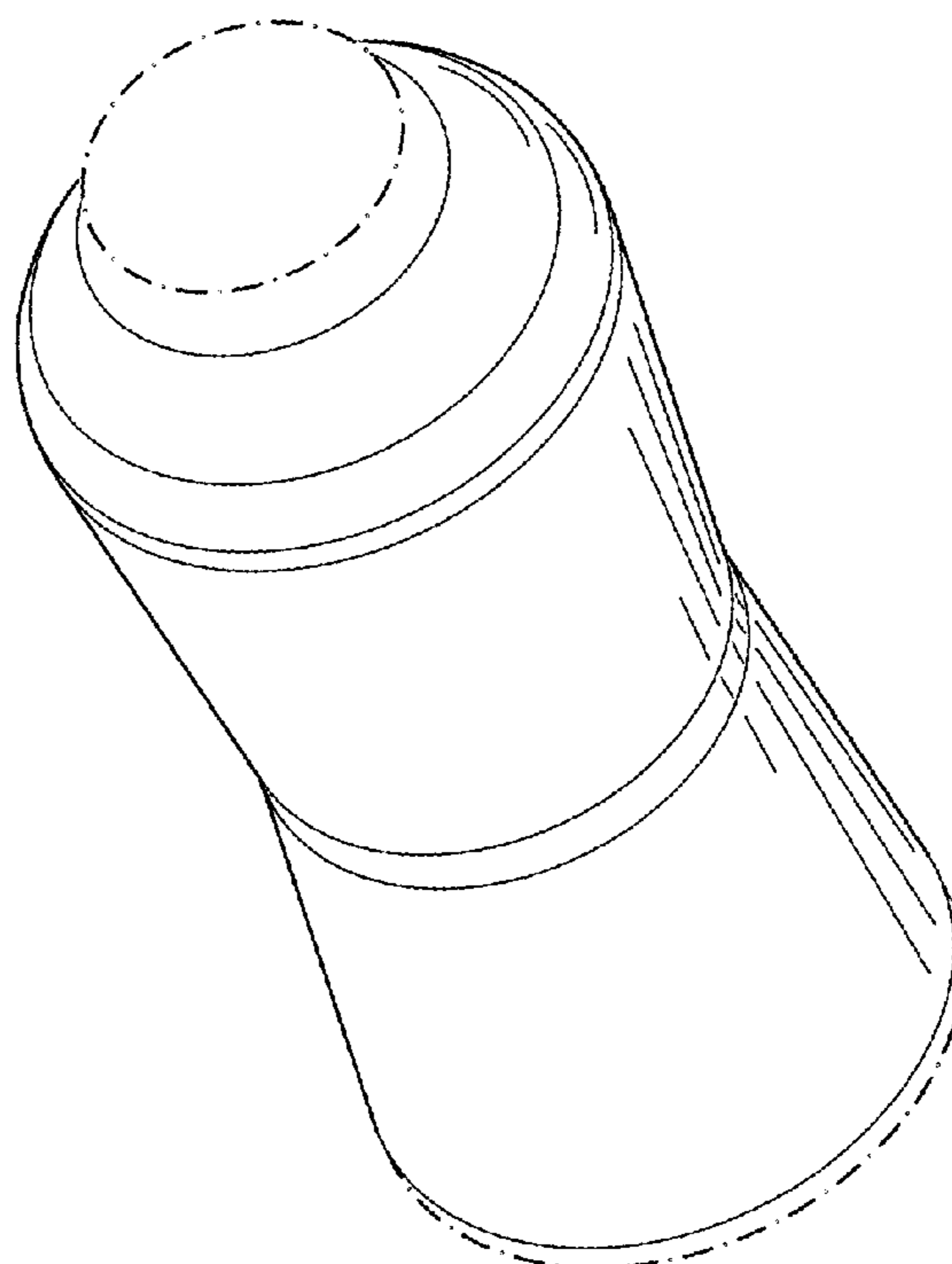


FIG. 19

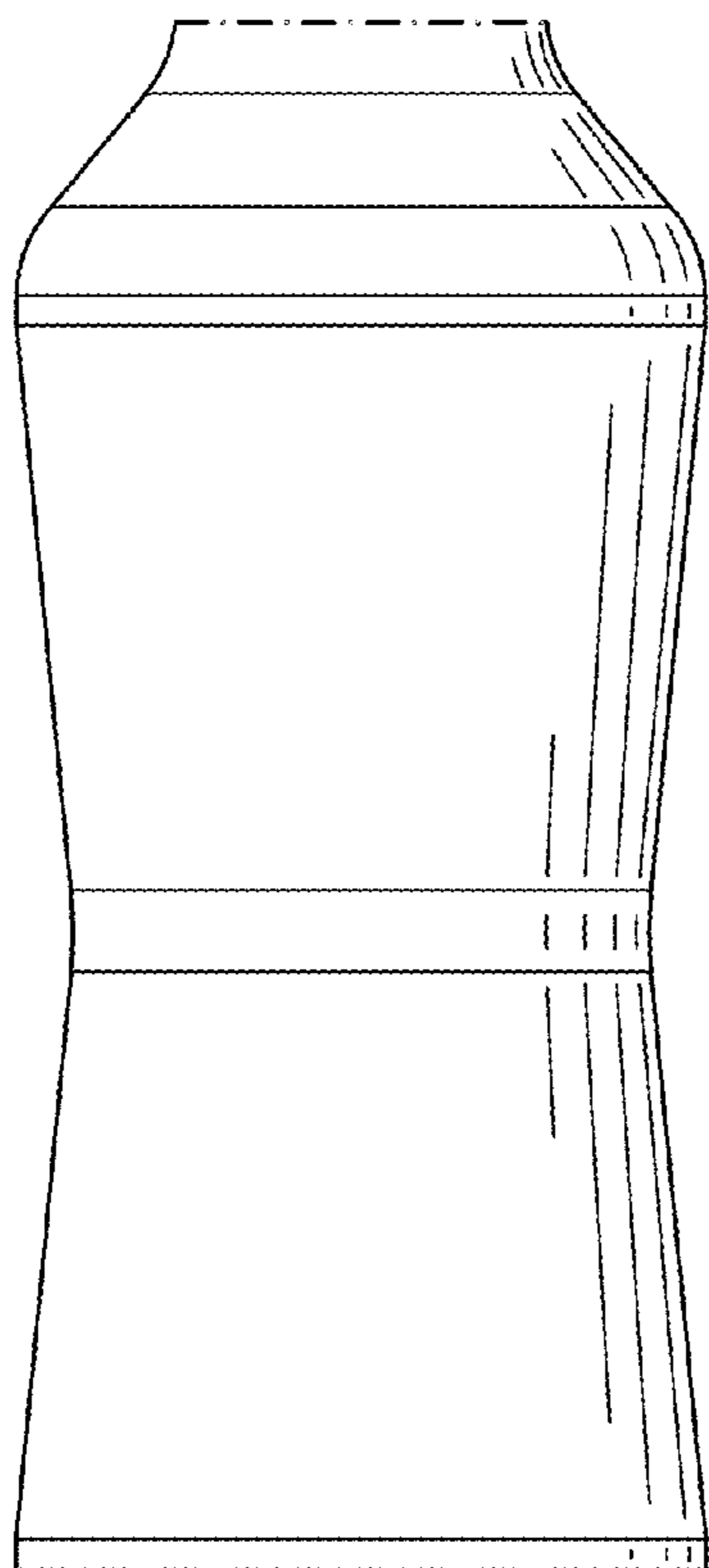


FIG. 18

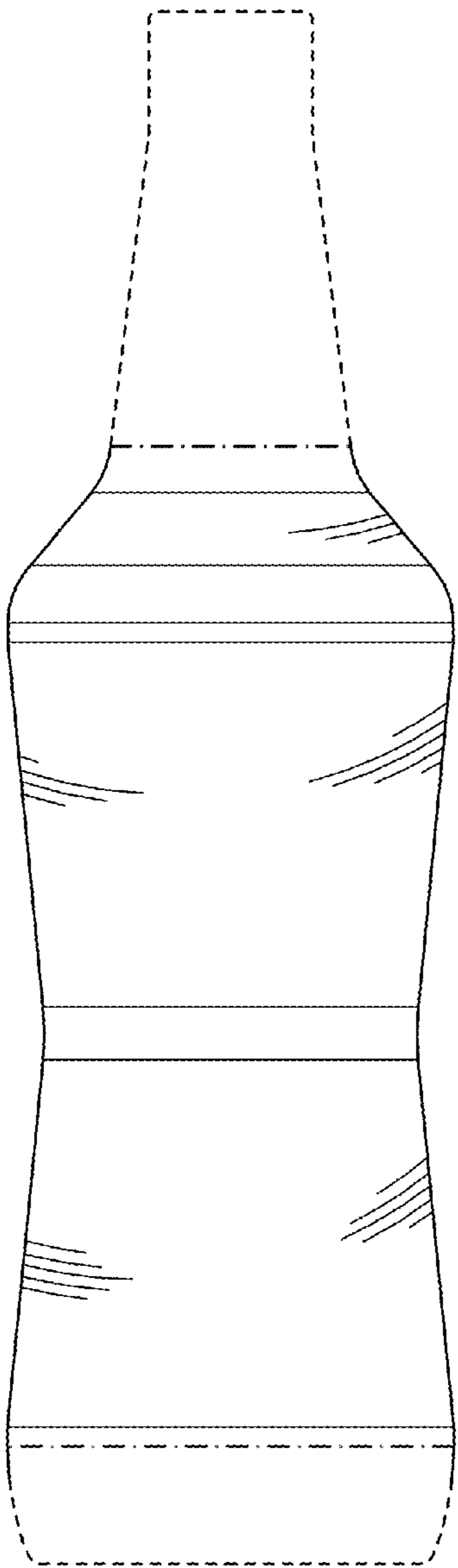


FIG. 21

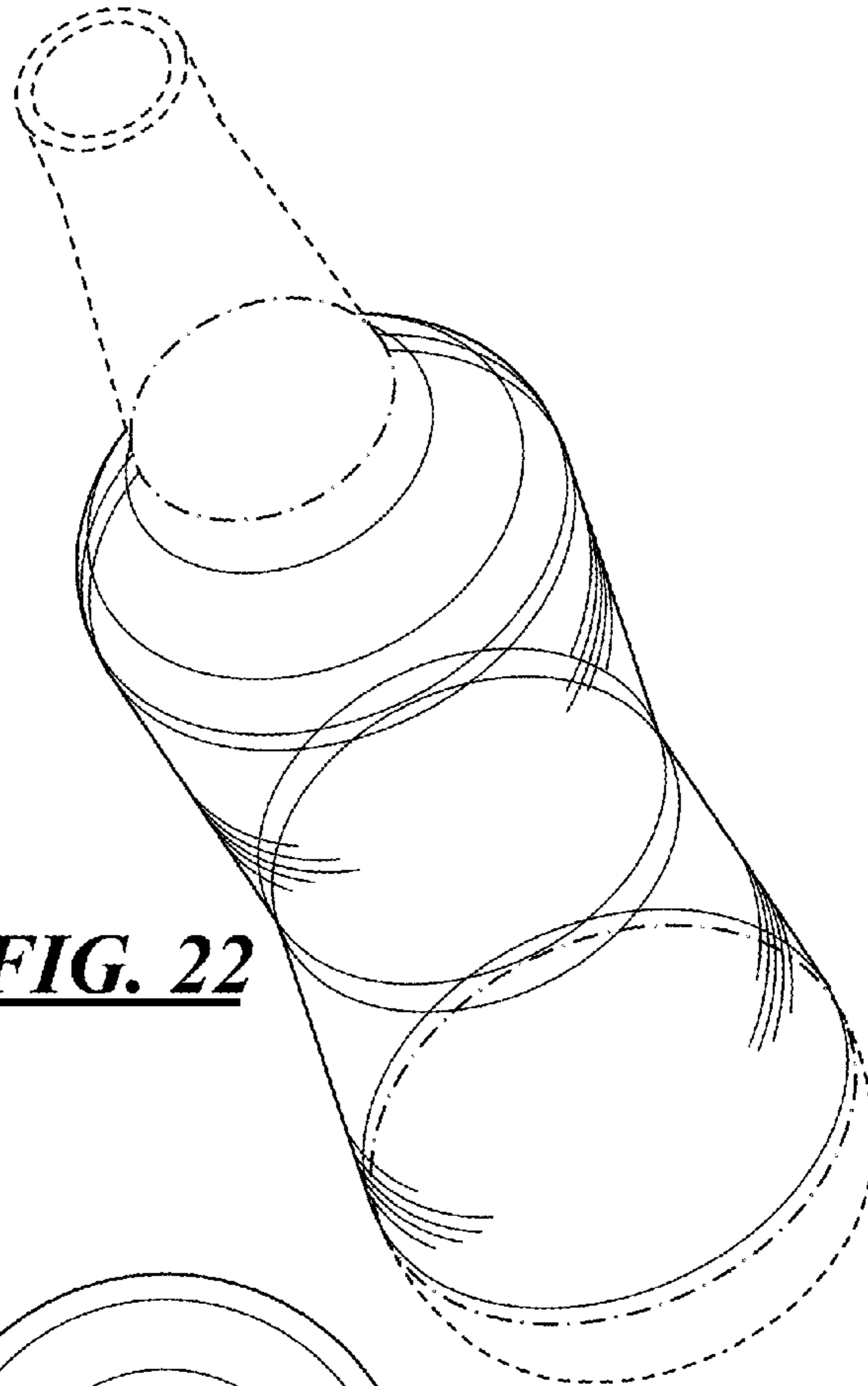


FIG. 22

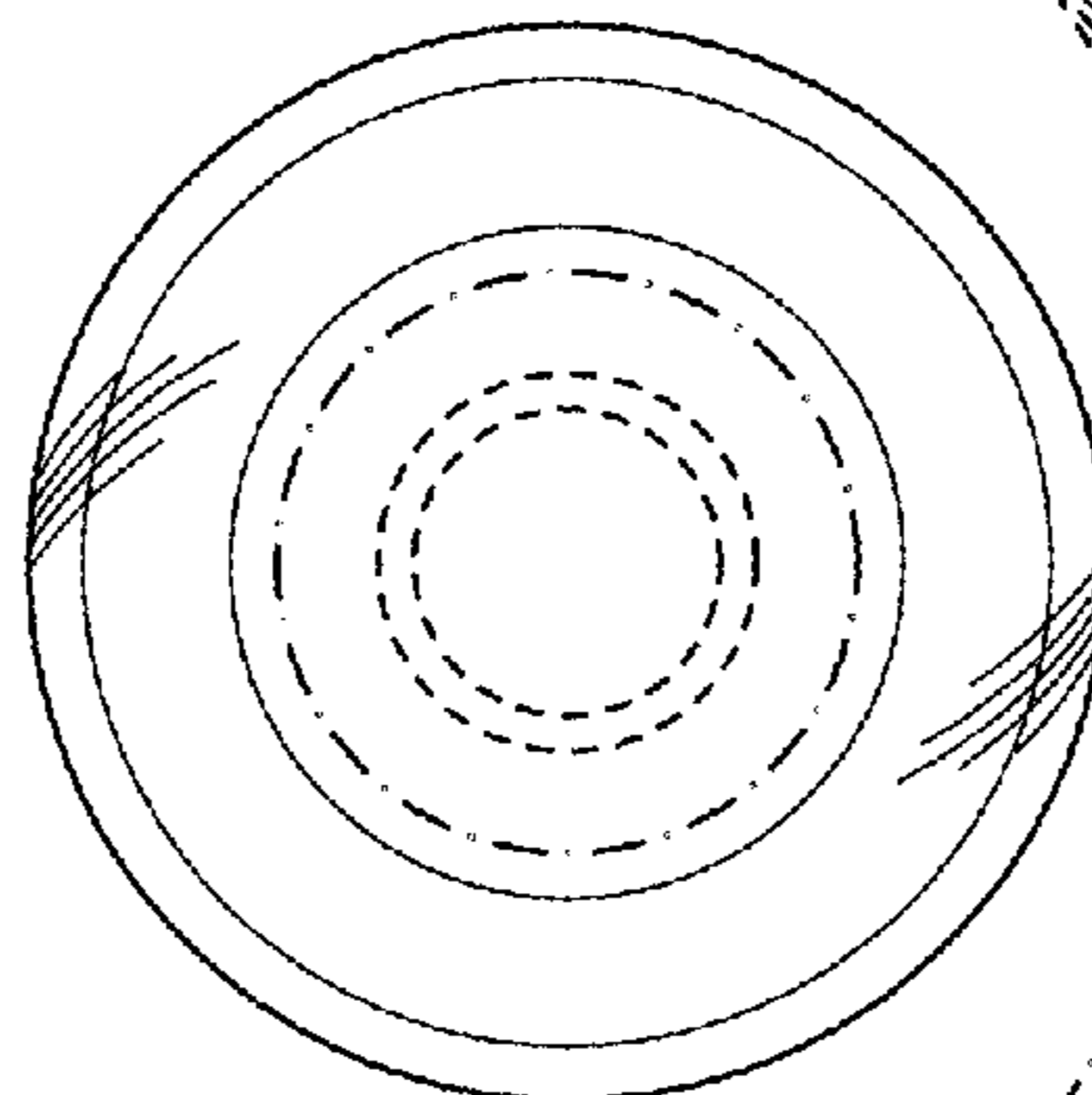


FIG. 23

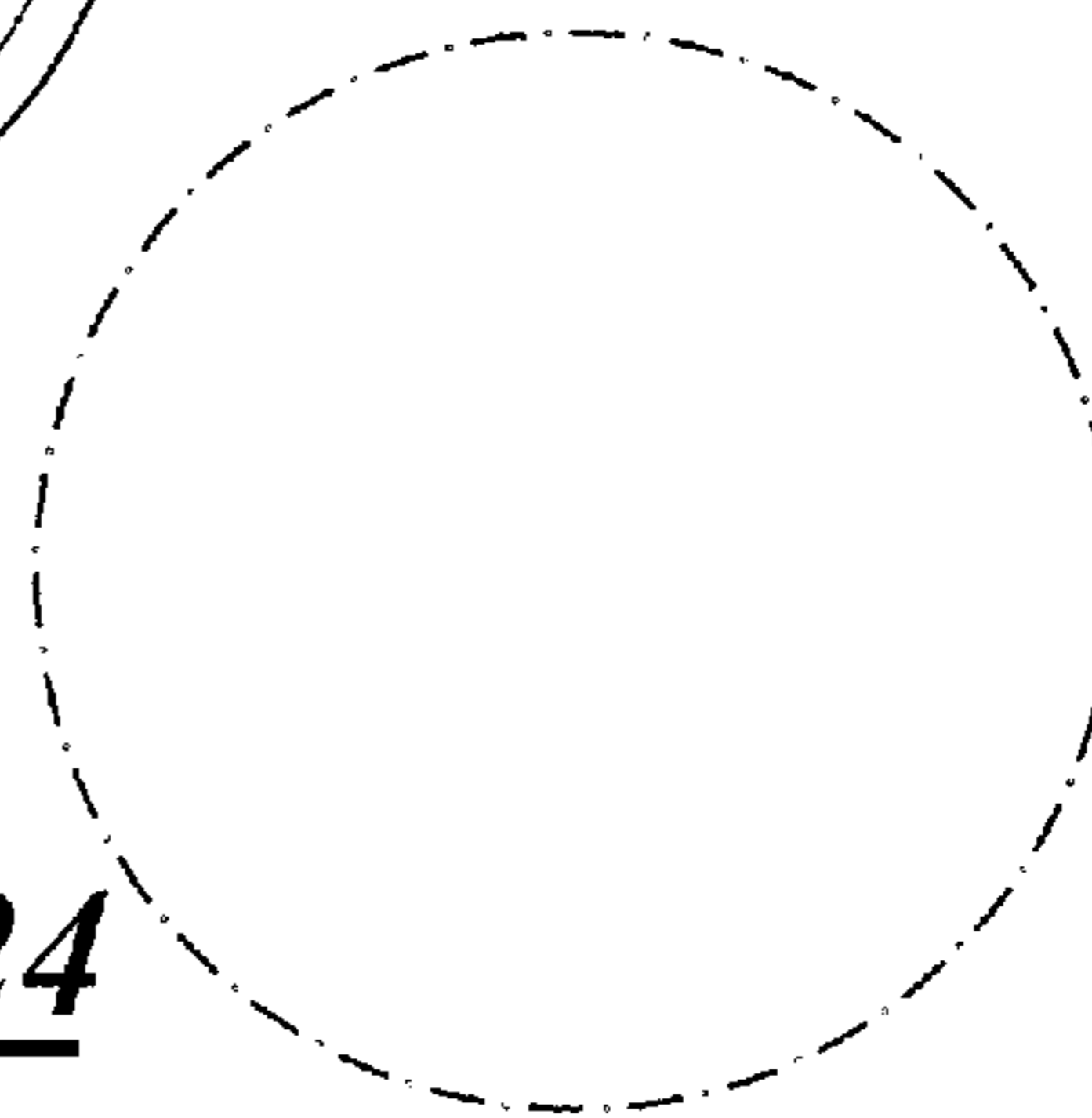


FIG. 24

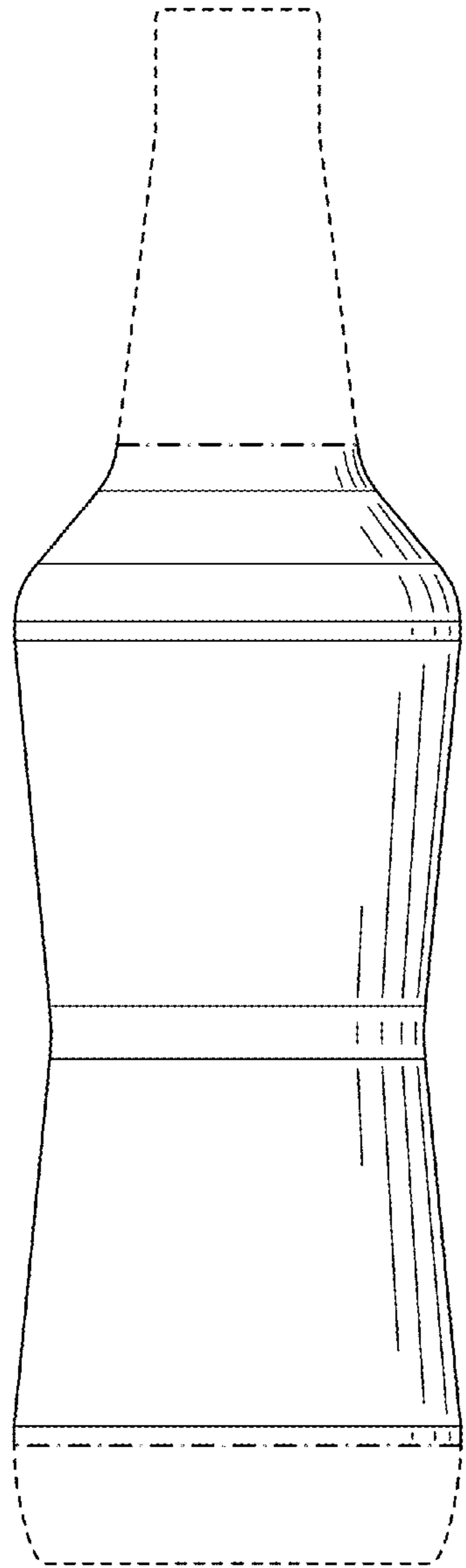


FIG. 25

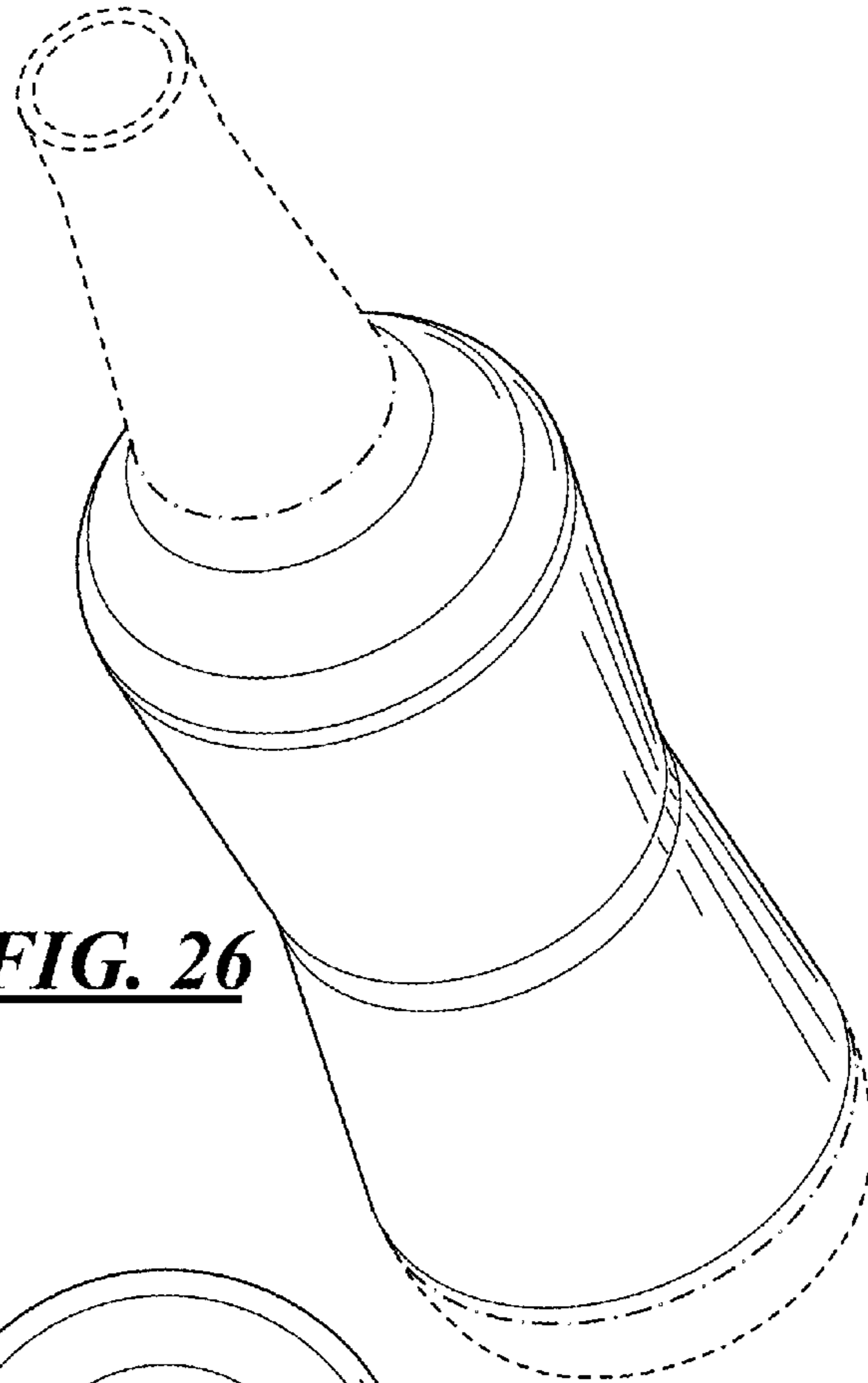


FIG. 26

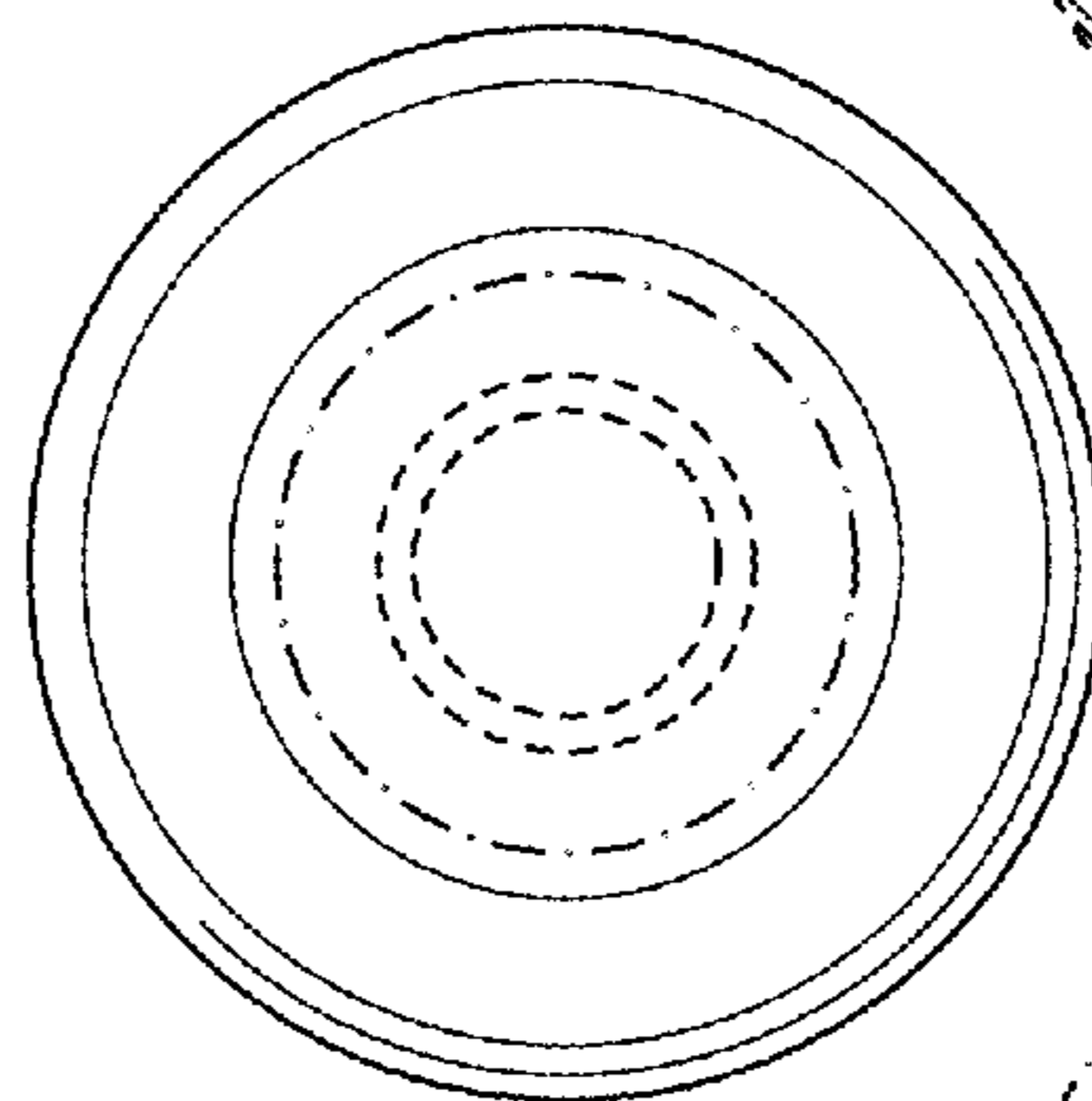


FIG. 27



FIG. 28