



US00D726536S

(12) **United States Design Patent**
Gerhards et al.

(10) **Patent No.:** **US D726,536 S**
(45) **Date of Patent:** **** Apr. 14, 2015**

(54) **CLOSURE**

(71) Applicant: **Henkel AG & Co. KGaA**, Duesseldorf (DE)

(72) Inventors: **Katja Gerhards**, Duesseldorf (DE);
Bodo Warden, Moenchengladbach (DE)

(73) Assignee: **Henkel AG & Co. KGaA**, Duesseldorf (DE)

(**) Term: **14 Years**

(21) Appl. No.: **29/462,522**

(22) Filed: **Aug. 5, 2013**

(30) **Foreign Application Priority Data**

Feb. 6, 2013 (EM) 002179267

(51) **LOC (10) Cl.** **09-07**

(52) **U.S. Cl.**
USPC **D9/448**; D9/450

(58) **Field of Classification Search**
USPC D7/396.2, 507, 509, 510, 511;
D9/434–455, 524, 682, 685, 694;
215/200, 235, 236, 252, 254, 329,
215/355–364; 220/203.04–203.07, 220,
220/254.1, 254.4, 556, 703, 704, 705;
D6/542–545; D23/226

See application file for complete search history.

(56) **References Cited**

U.S. PATENT DOCUMENTS

D314,421 S *	2/1991	Tajima et al.	D23/226
D337,811 S *	7/1993	Valley et al.	D23/226
D407,975 S *	4/1999	Lund et al.	D9/434
D458,845 S *	6/2002	Keung	D9/447
6,446,882 B1 *	9/2002	Dukes et al.	239/333
6,502,766 B1 *	1/2003	Streutker et al.	239/332
D487,223 S *	3/2004	Arai et al.	D9/685
D569,726 S *	5/2008	Hildebrand	D9/448
D587,576 S *	3/2009	Miller et al.	D9/448
D628,900 S *	12/2010	Barnett et al.	D9/682
D664,431 S *	7/2012	Wang	D9/448
D674,706 S *	1/2013	Birdwell et al.	D9/685
D700,052 S *	2/2014	Sweeton	D9/448

* cited by examiner

Primary Examiner — Robert M Spear

Assistant Examiner — Marissa J Cash

(74) *Attorney, Agent, or Firm* — Thomas G. Krivulka

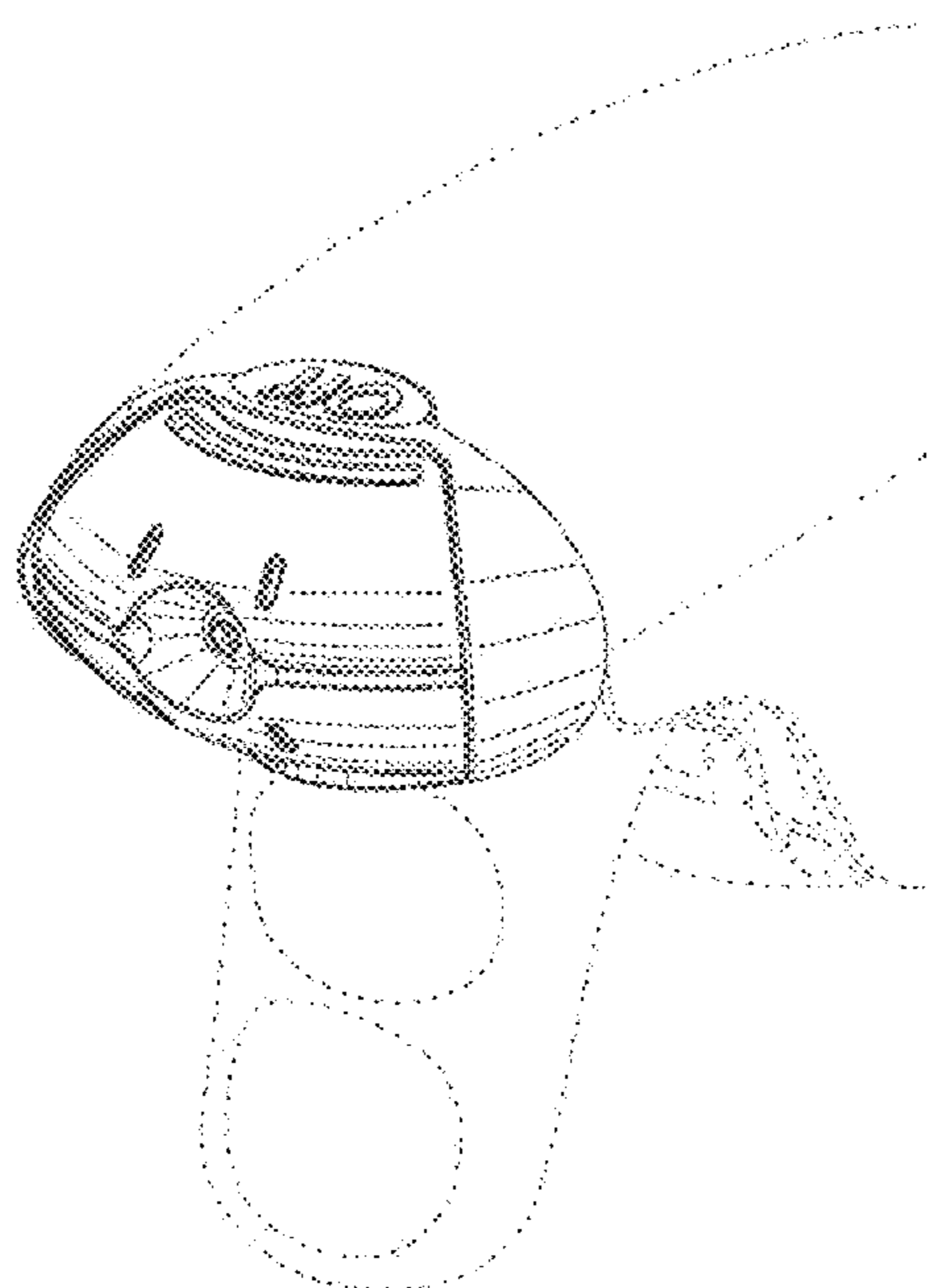
(57) **CLAIM**

We claim the ornamental design for a closure, as shown and described.

DESCRIPTION

FIG. 1 is a front perspective view of a closure showing my new design;
FIG. 2 is a front side elevation view thereof;
FIG. 3 is a right side elevation view thereof;
FIG. 4 is a left side elevation view thereof;
FIG. 5 is a top plan view thereof; and,
FIG. 6 is a bottom plan view thereof.
In the drawings, the broken lines depict a trigger sprayer that forms no part of the claim.

1 Claim, 4 Drawing Sheets



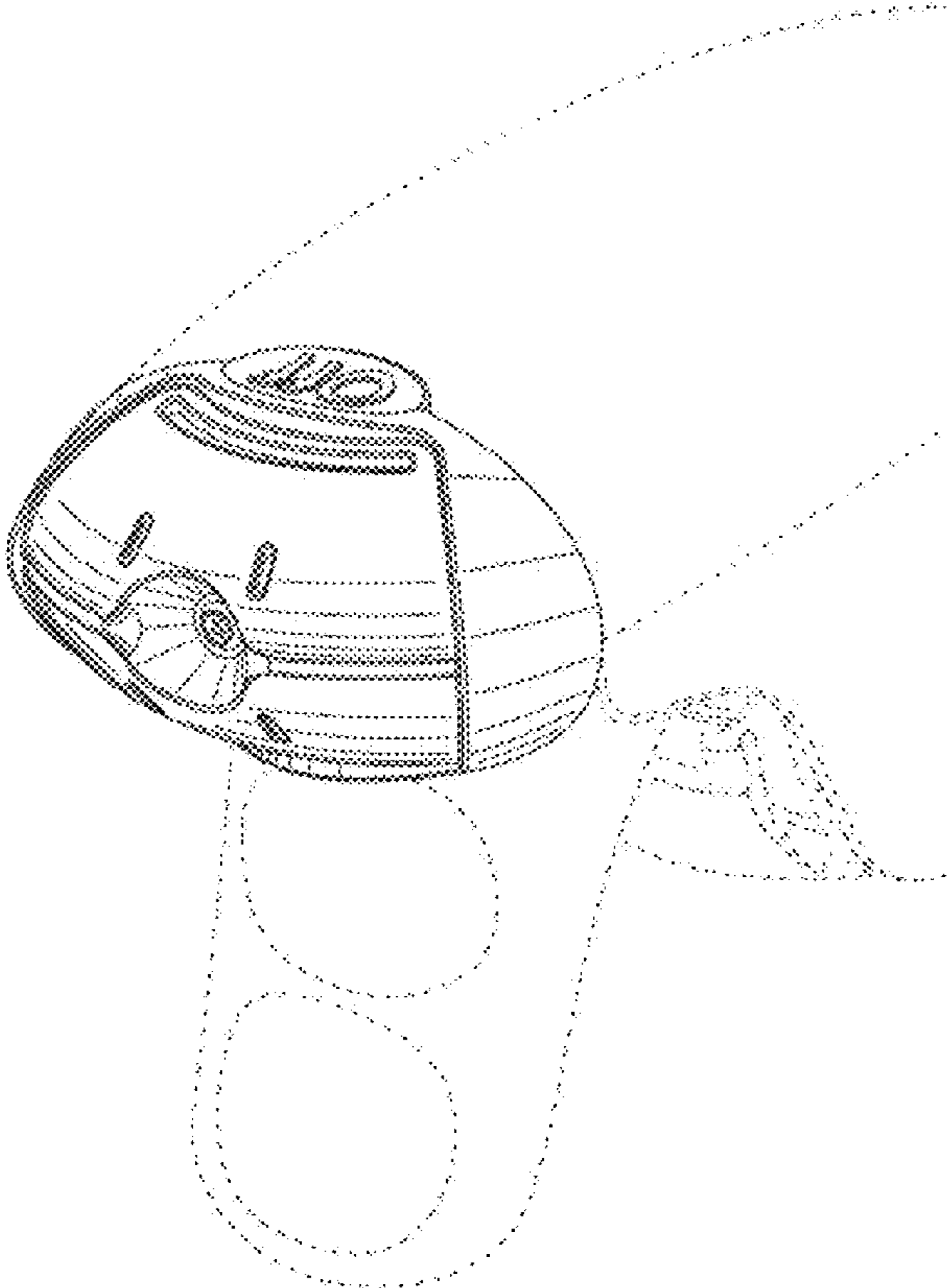


FIG. 1

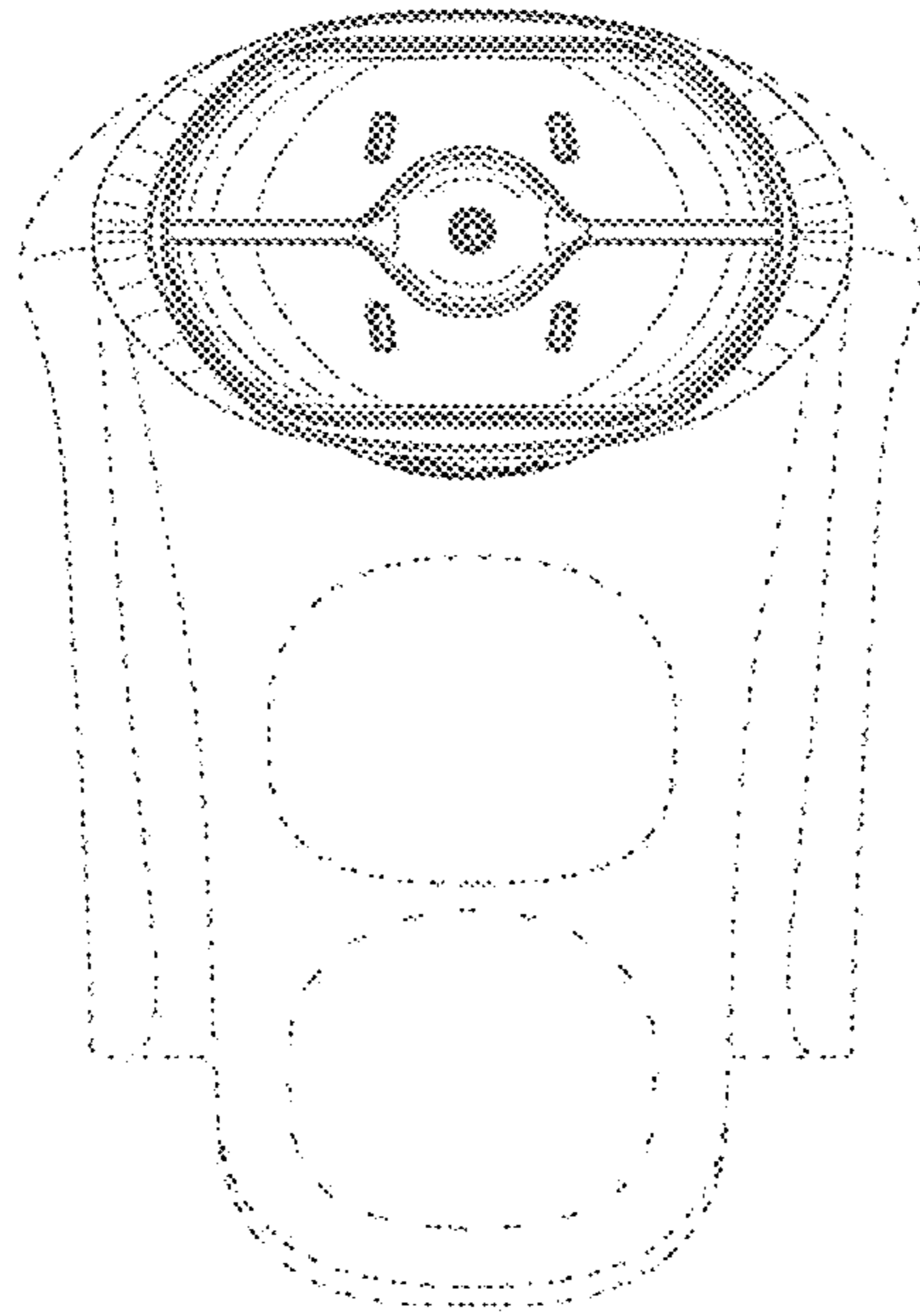


FIG. 2

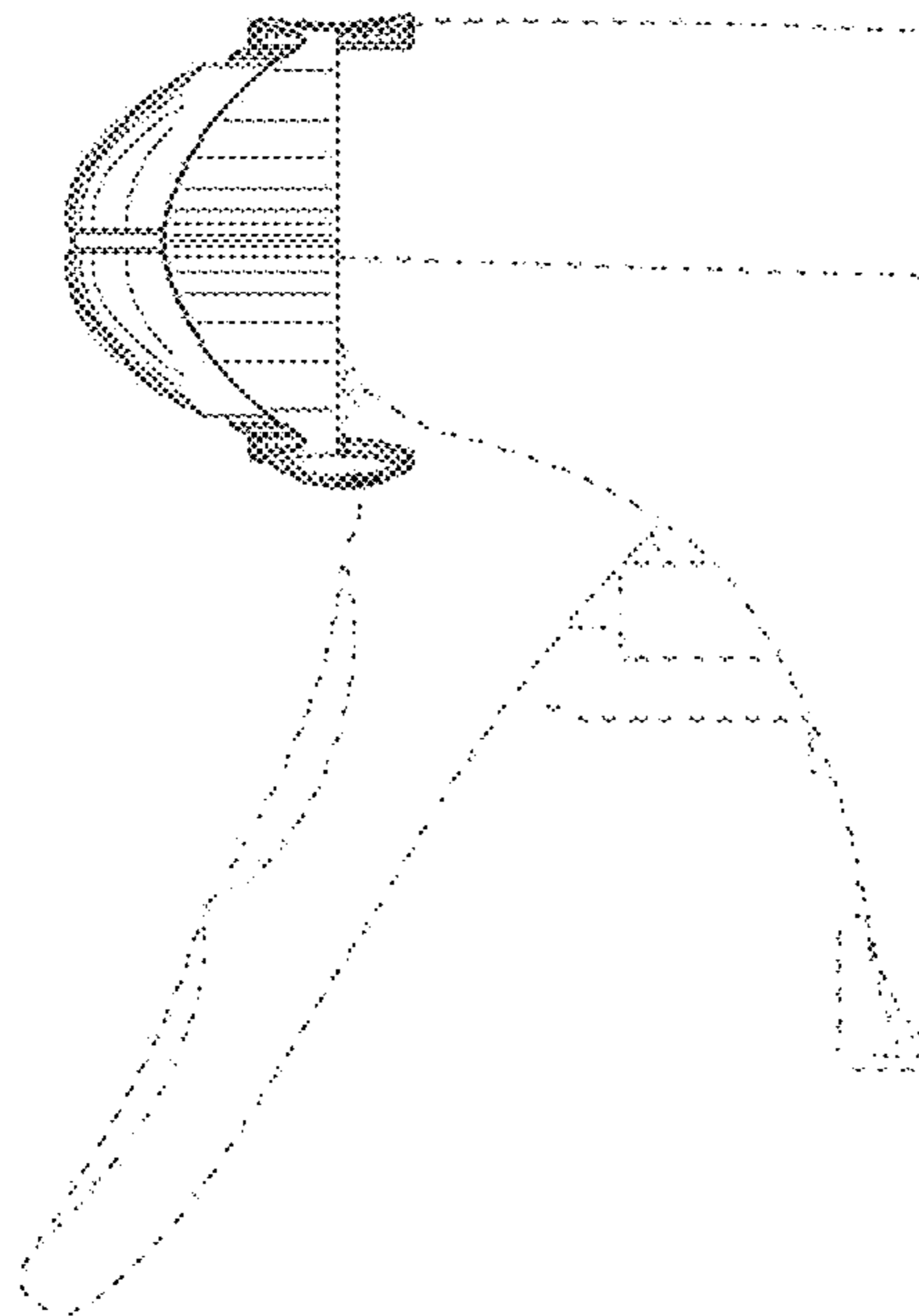


FIG. 3

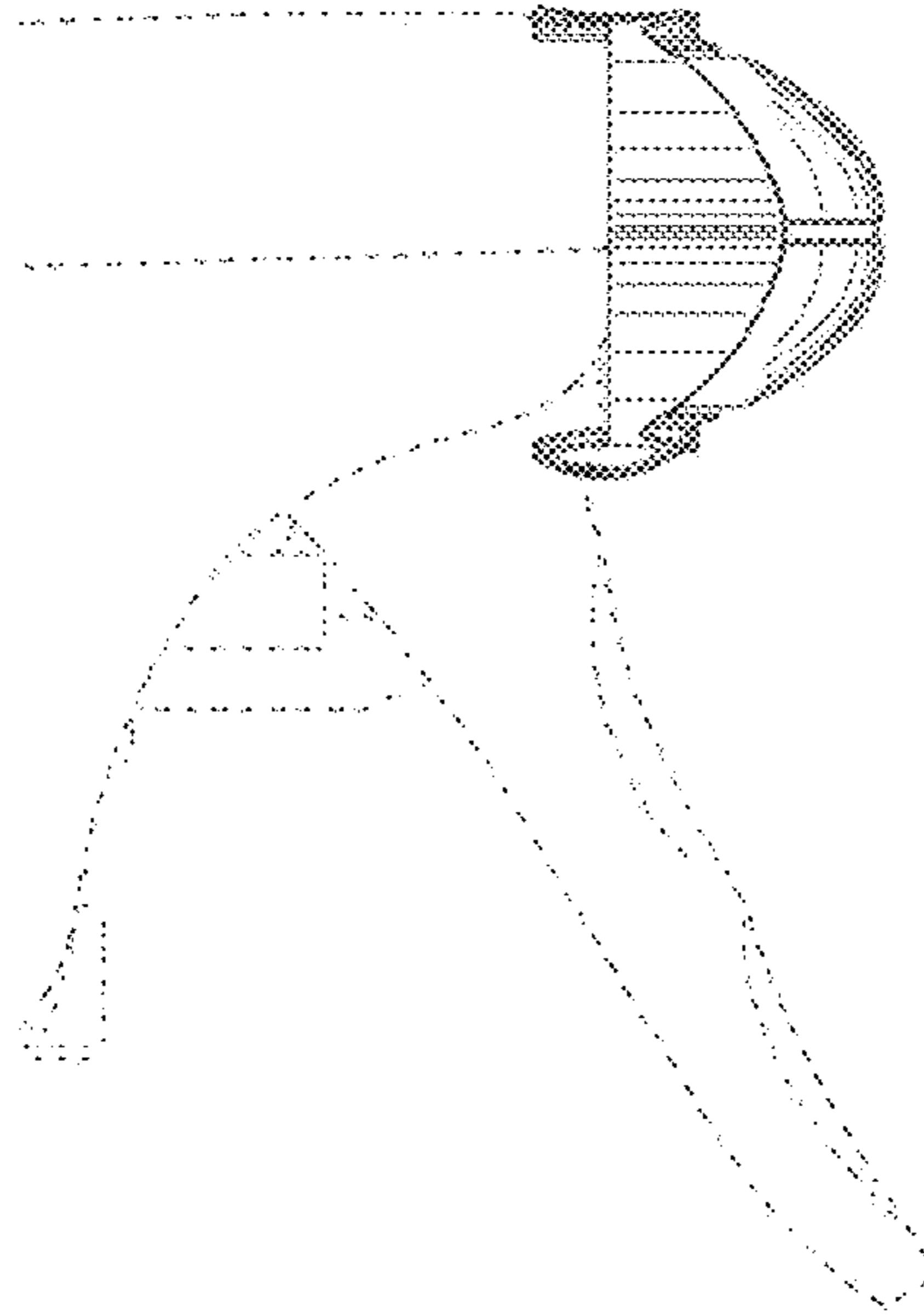


FIG. 4

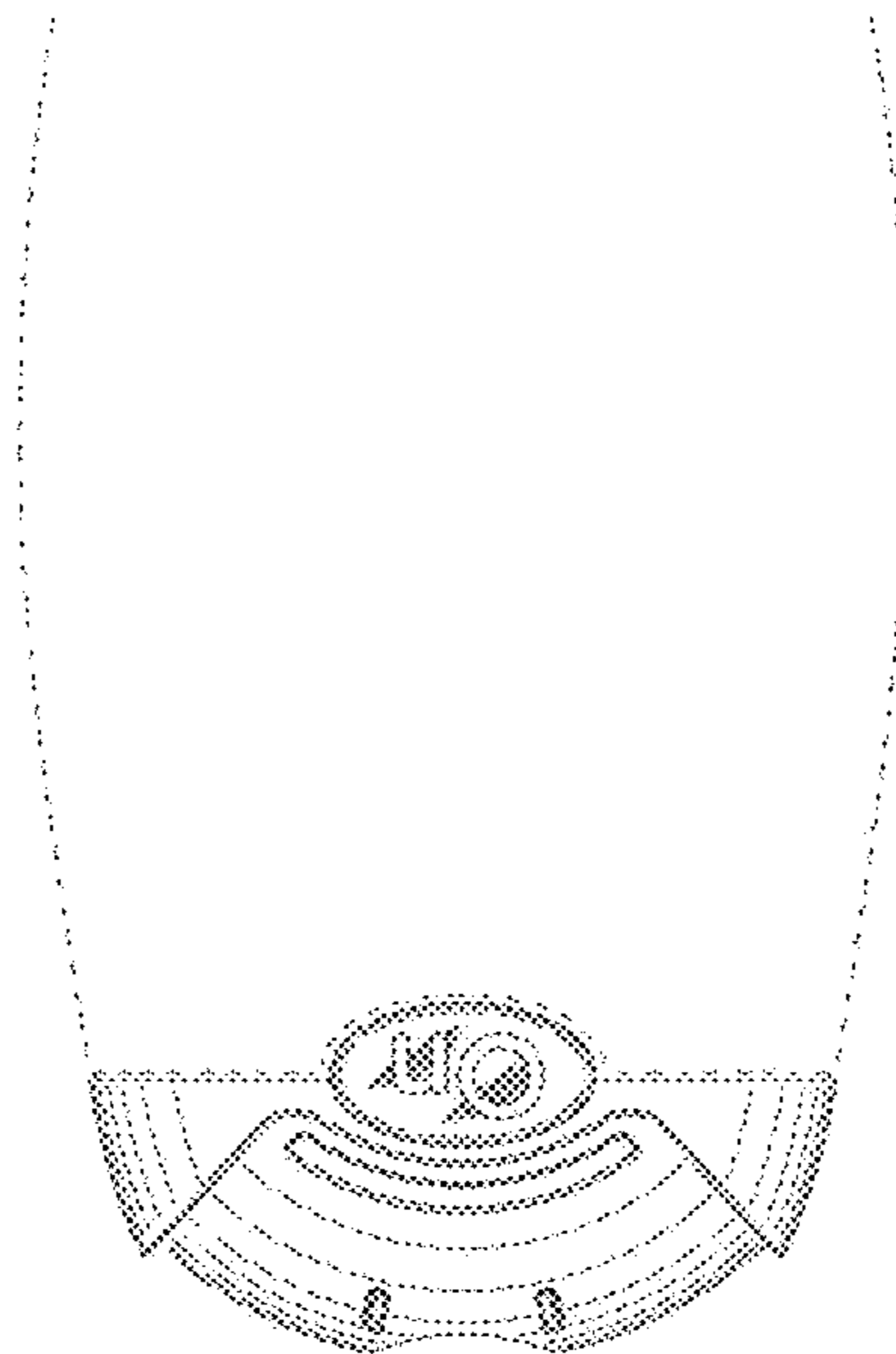


FIG. 5

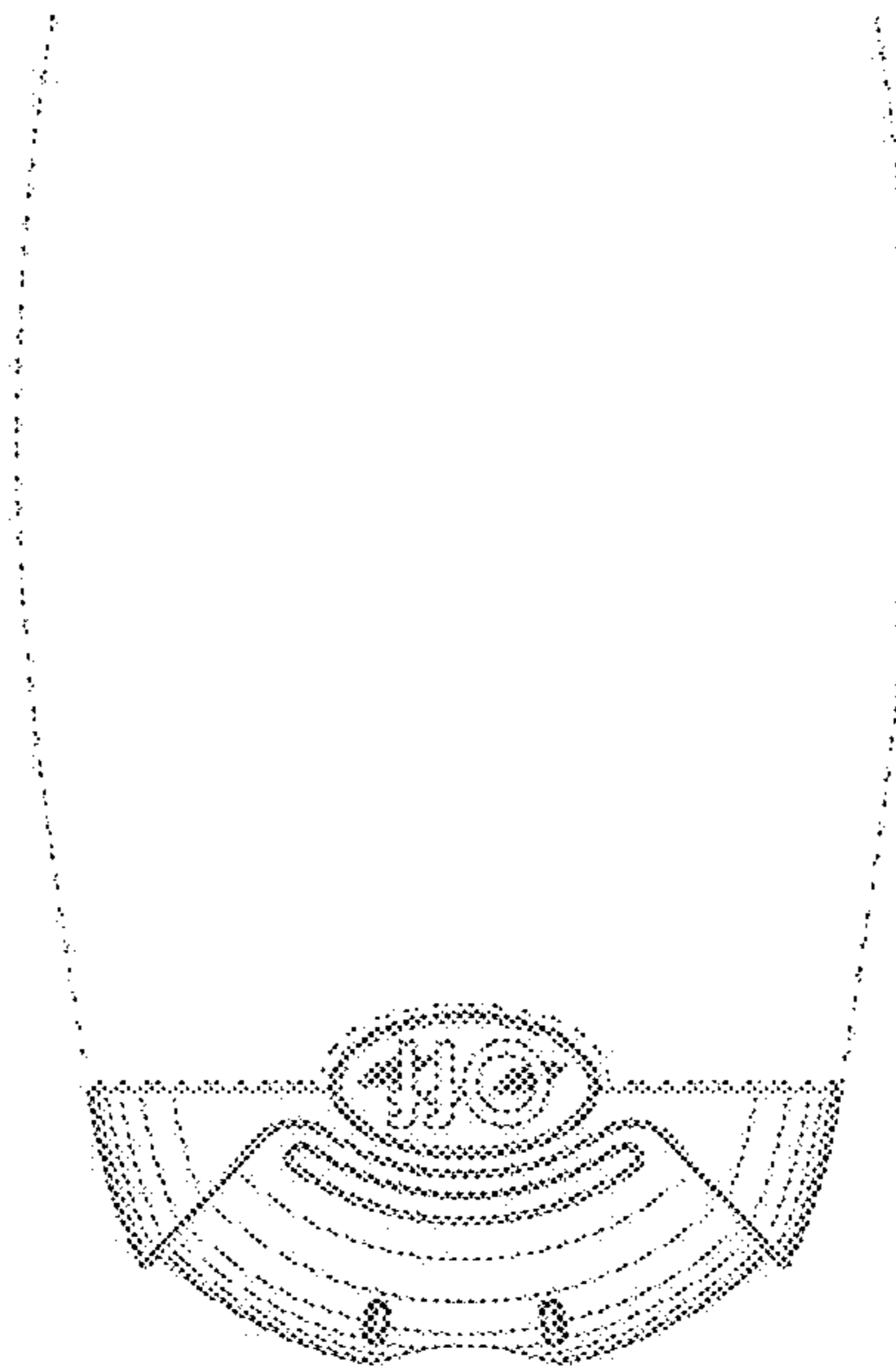


FIG. 6