



US00D726533S

(12) **United States Design Patent**  
**Northrup**

(10) **Patent No.:** **US D726,533 S**

(45) **Date of Patent:** **\*\* Apr. 14, 2015**

- (54) **ICE CREAM CONTAINER**
- (71) Applicant: **Rock-Tenn Shared Services, LLC**,  
Norcross, GA (US)
- (72) Inventor: **David W. Northrup**, Johns Creek, GA  
(US)
- (73) Assignee: **Rock-Tenn Shared Services, LLC**,  
Norcross, GA (US)
- (\*\*) Term: **14 Years**
- (21) Appl. No.: **29/454,927**
- (22) Filed: **May 15, 2013**
- (51) **LOC (10) Cl.** ..... **09-03**
- (52) **U.S. Cl.**  
USPC ..... **D9/434; D9/432**
- (58) **Field of Classification Search**  
CPC ..... B65D 5/00; B65D 5/0015; B65D 5/0045;  
B65D 5/18; B65D 5/40; B65D 5/2033;  
B65D 1/22; B65D 1/225; B65D 1/24; B65D  
1/34; B65D 1/38  
USPC ..... D9/414-433, 444-445, 456, 519, 529,  
D9/560, 715, 718, 748; D7/601, 602, 538,  
D7/540, 550.1, 552.1, 554.3, 554.4;  
D3/203.5, 202, 207, 210  
See application file for complete search history.

2,785,845 A	3/1957	Stenger	
3,058,645 A	10/1962	Luterick	
3,078,171 A	2/1963	Skowronski	
3,146,933 A	9/1964	Moore	
3,235,167 A *	2/1966	Svensson	229/228
3,601,305 A	8/1971	Benzon-Petersen	
3,735,916 A	5/1973	Buttery	
3,833,165 A	9/1974	Hoiles	
4,083,455 A *	4/1978	Keating, Jr.	229/224
D251,546 S *	4/1979	Larsson et al.	D9/432
4,526,563 A	7/1985	Froom	
4,687,130 A	8/1987	Beeler	
5,033,622 A	7/1991	DePasquale et al.	
5,160,082 A	11/1992	McCormick et al.	
5,161,734 A *	11/1992	Ruehl et al.	229/227
5,351,881 A	10/1994	Demay	
5,409,160 A	4/1995	Demay	
5,588,584 A	12/1996	Demay	
5,653,384 A	8/1997	Shaikh	
D394,383 S *	5/1998	Bradfield	D9/416
5,788,102 A *	8/1998	Hall et al.	229/225
6,073,760 A *	6/2000	Roemer et al.	206/215
D444,381 S *	7/2001	Barr	D9/416

(Continued)

*Primary Examiner* — Susan Bennett Hattan  
*Assistant Examiner* — Vy Koenig  
 (74) *Attorney, Agent, or Firm* — Kilpatrick Townsend & Stockton LLP

(57) **CLAIM**  
 The ornamental design for an ice cream container, as shown and described.

**DESCRIPTION**

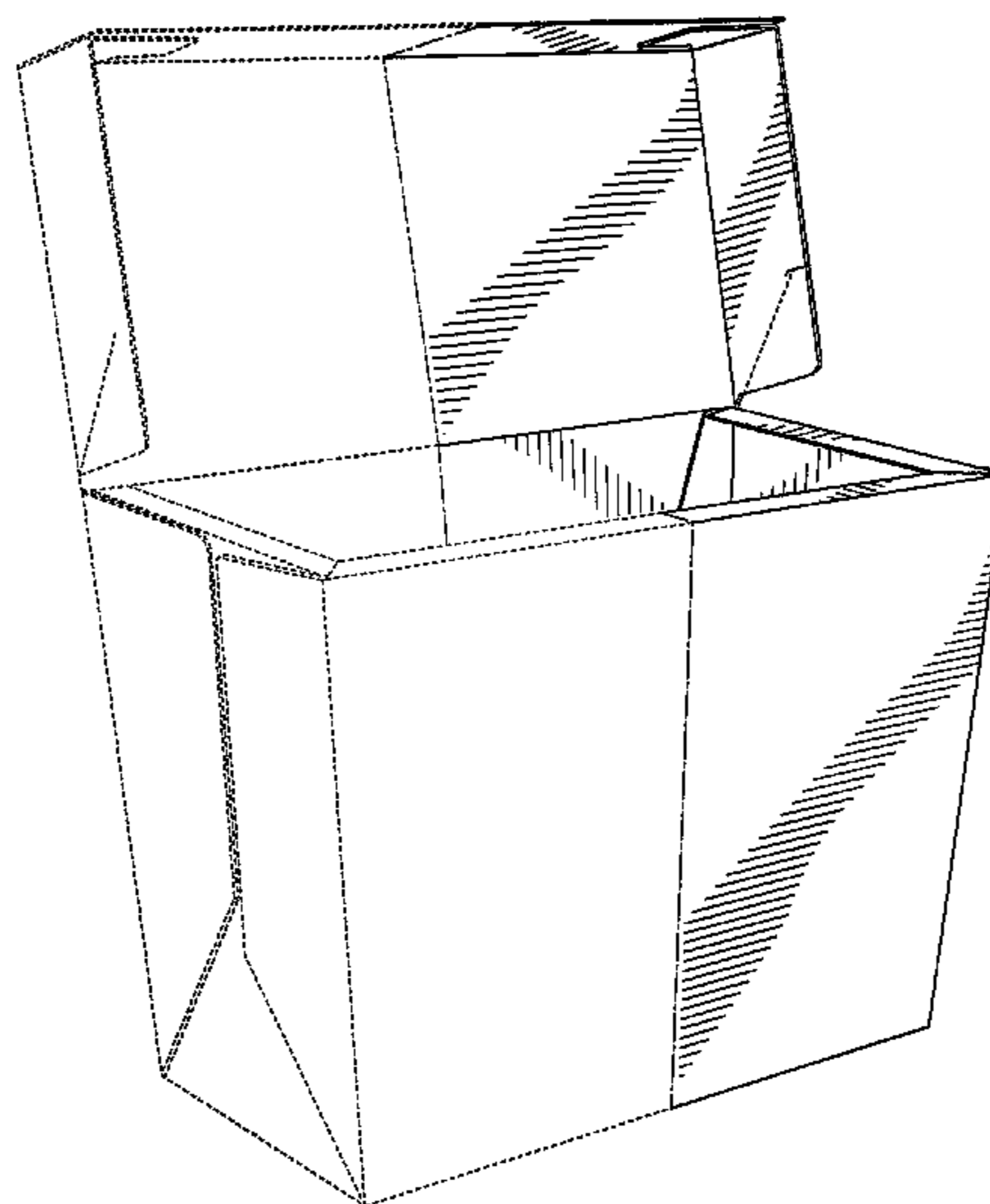
FIG. 1 is a front perspective view of an ice cream container, shown in the closed position; and, FIG. 2 is a front perspective view of the ice cream container of FIG. 1, shown in the open position. The evenly dashed lines in the drawings depict environmental features that form no part of the claimed design. The long dash/short dash lines depict the boundaries of the claimed design and form no part of the claimed design.

**1 Claim, 2 Drawing Sheets**

(56) **References Cited**

U.S. PATENT DOCUMENTS

382,559 A	5/1888	Schmidt	
1,480,827 A	1/1924	McColl	
2,180,691 A *	11/1939	Olivier	206/766
2,252,779 A	8/1941	Moore	
2,443,431 A	6/1948	Ringler	
2,505,442 A	4/1950	Thomas	
RE23,266 E	9/1950	Thomas	
2,544,565 A	3/1951	Phillips	
2,731,190 A	1/1956	Farrell	



# US D726,533 S

Page 2

---

(56)

## References Cited

### U.S. PATENT DOCUMENTS

			2004/0238535	A1	12/2004	Mast	
			2007/0017964	A1	1/2007	Kamolsuwan	
			2012/0234904	A1*	9/2012	Costanzo, Jr.	..... 229/116.5
6,604,676	B2*	8/2003	Giblin	.....			229/225
D695,605	S*	12/2013	Johnson	.....			D9/423

\* cited by examiner

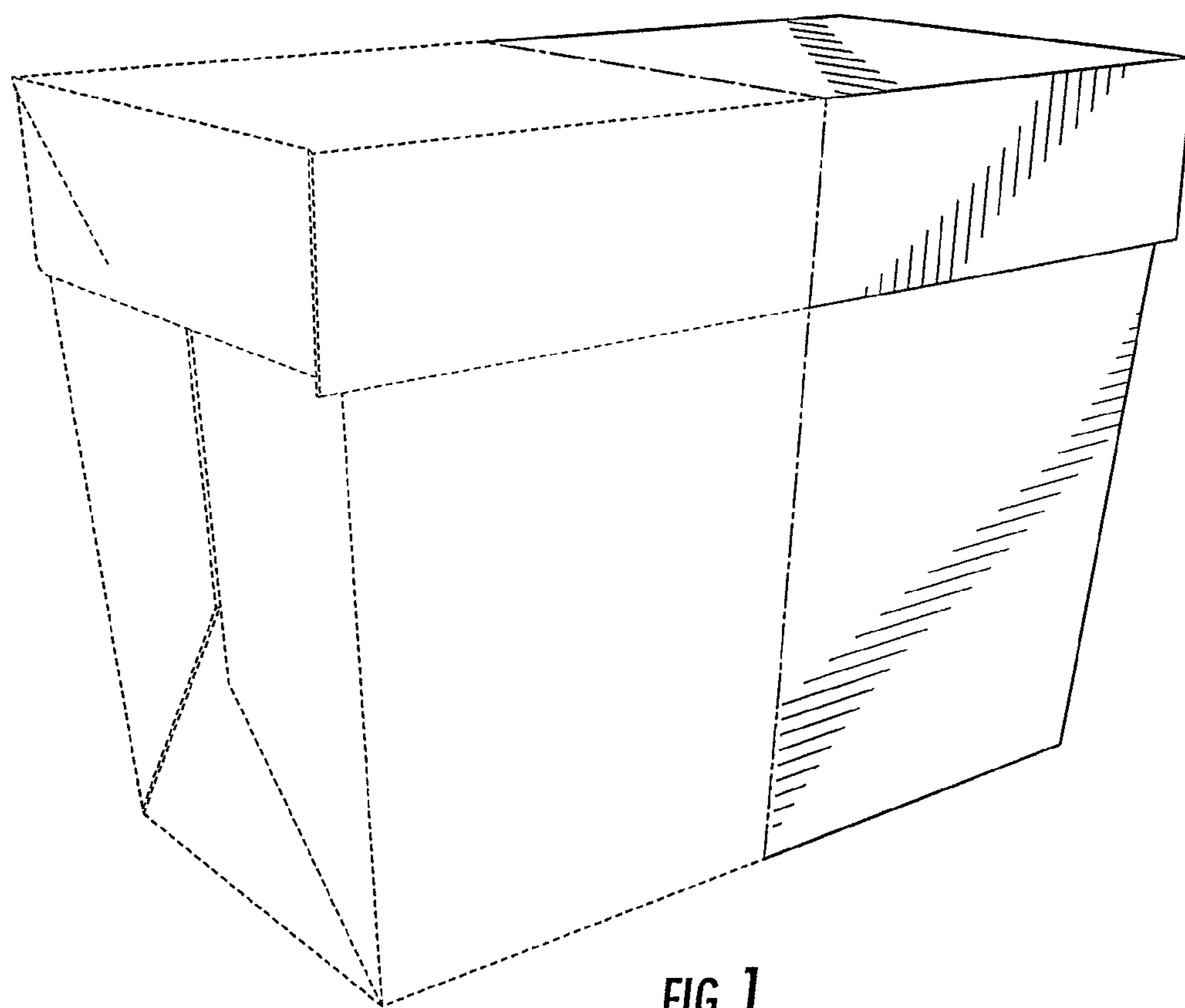


FIG. 1

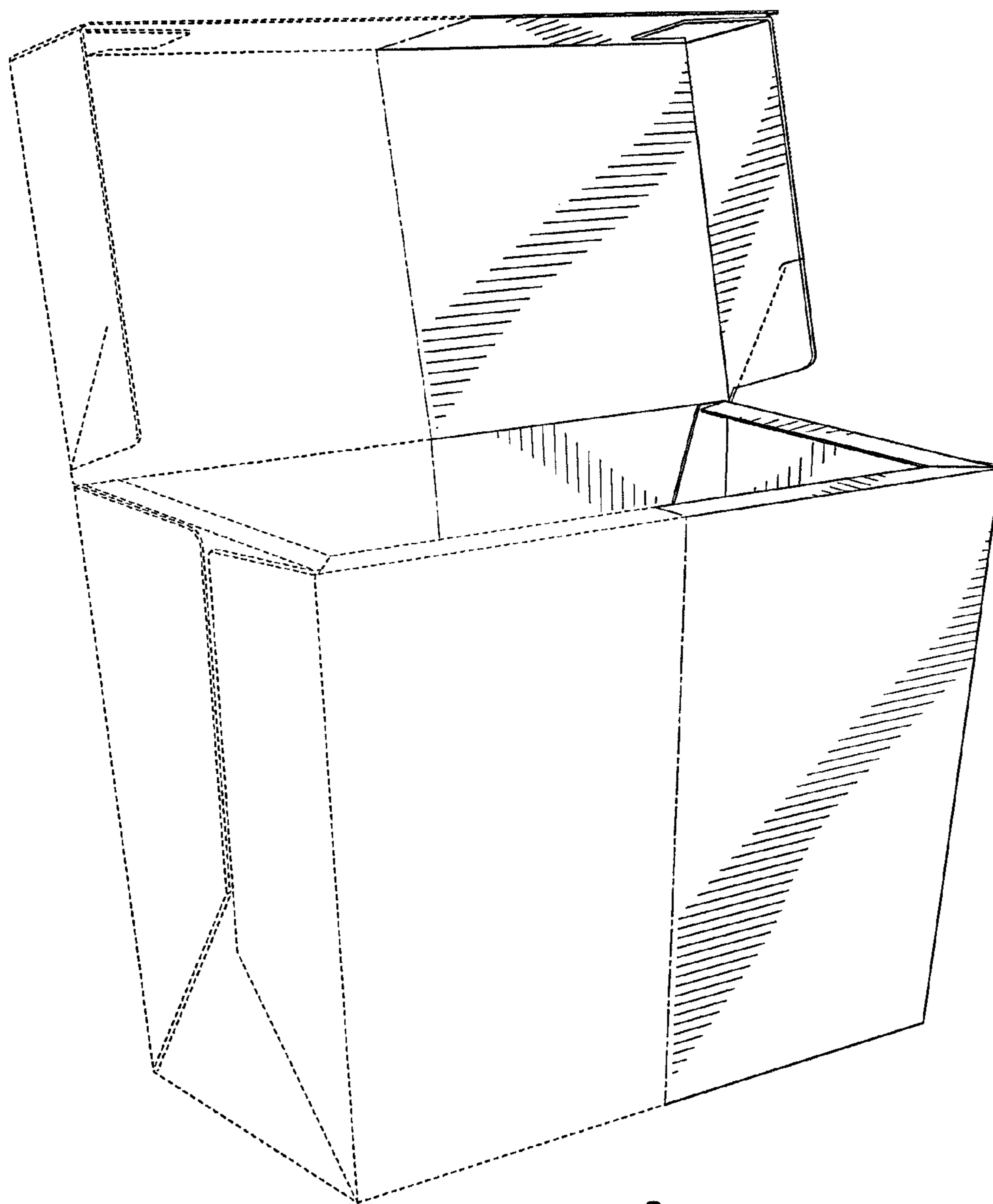


FIG. 2