



US00D726531S

(12) **United States Design Patent**
Muzic

(10) **Patent No.:** **US D726,531 S**

(45) **Date of Patent:** **** Apr. 14, 2015**

(54) **HEADLOCKING BOLT**

(71) Applicant: **Prestolite Performance LLC**,
Cleveland, OH (US)

(72) Inventor: **Dave Muzic**, Cleveland, OH (US)

(73) Assignee: **Accel Performance Group LLC**,
Cleveland, OH (US)

(**) Term: **14 Years**

(21) Appl. No.: **29/471,550**

(22) Filed: **Nov. 1, 2013**

(51) **LOC (10) Cl.** **08-08**

(52) **U.S. Cl.**
USPC **D8/387**

(58) **Field of Classification Search**
USPC D8/387, 397; 411/378, 393, 402-403,
411/6, 435, 437, 510, 427, 337, 429, 400
See application file for complete search history.

(56) **References Cited**

U.S. PATENT DOCUMENTS

D317,862 S * 7/1991 Yamamoto D8/387

D482,957 S * 12/2003 Lajeunesse et al. D8/387
D584,137 S * 1/2009 Edge, Jr. D8/387
D604,600 S * 11/2009 Lesesky D8/387
D631,736 S * 2/2011 You D8/387

* cited by examiner

Primary Examiner — Sheryl Lane

(74) *Attorney, Agent, or Firm* — Rader, Fishman & Grauer
PLLC

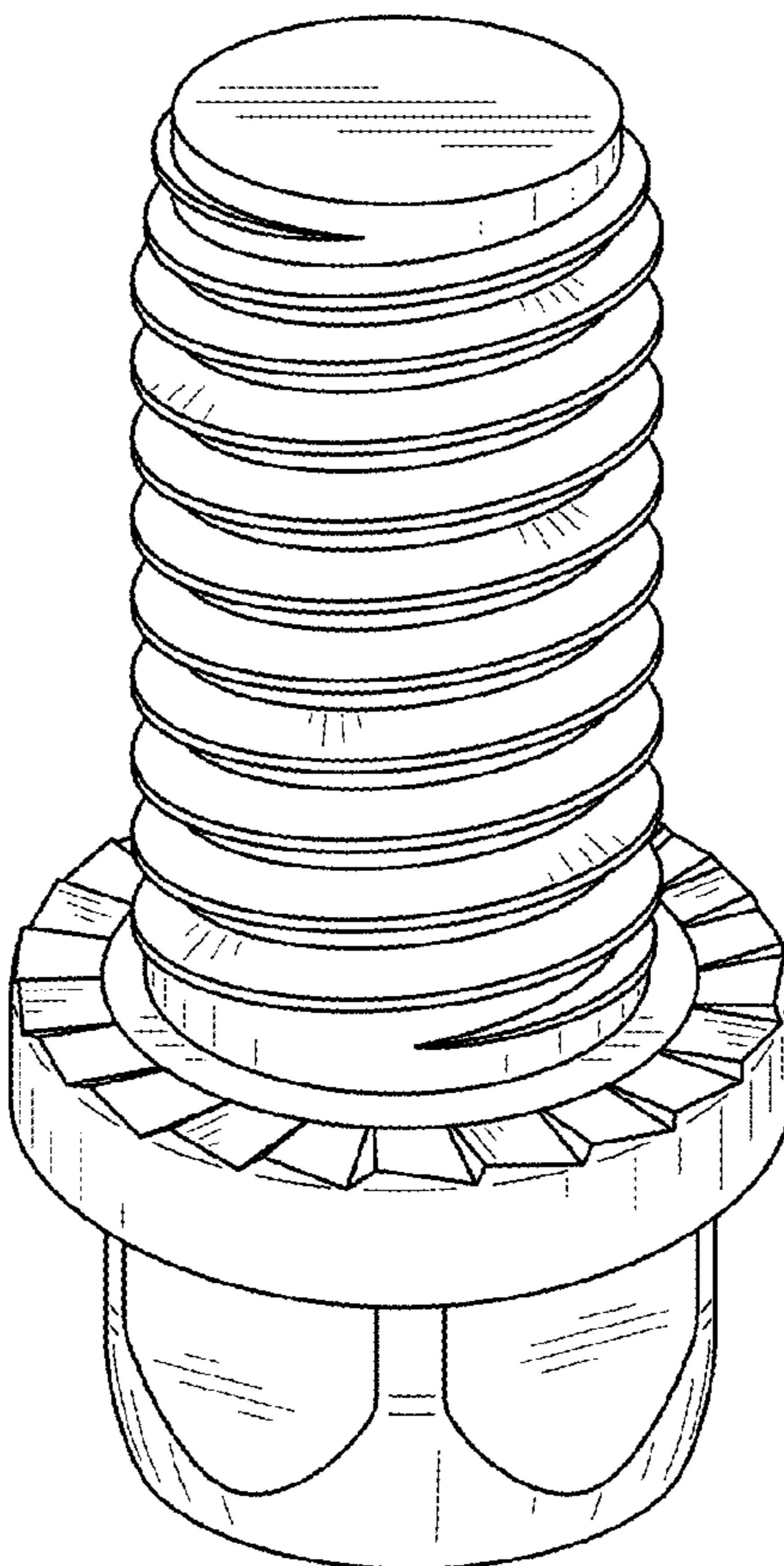
(57) **CLAIM**

What is claimed is the ornamental design for a headlocking bolt, as shown and described.

DESCRIPTION

FIG. 1 is a perspective view of a headlocking bolt showing a new design;
FIG. 2 is a front view of the headlocking bolt of FIG. 1;
FIG. 3 is a right side view of the headlocking bolt of FIG. 1;
FIG. 4 is a rear view of the headlocking bolt of FIG. 1;
FIG. 5 is a left side view of the headlocking bolt of FIG. 1;
FIG. 6 is a top view of the headlocking bolt of FIG. 1; and,
FIG. 7 is a bottom view of the headlocking bolt of FIG. 1.

1 Claim, 3 Drawing Sheets



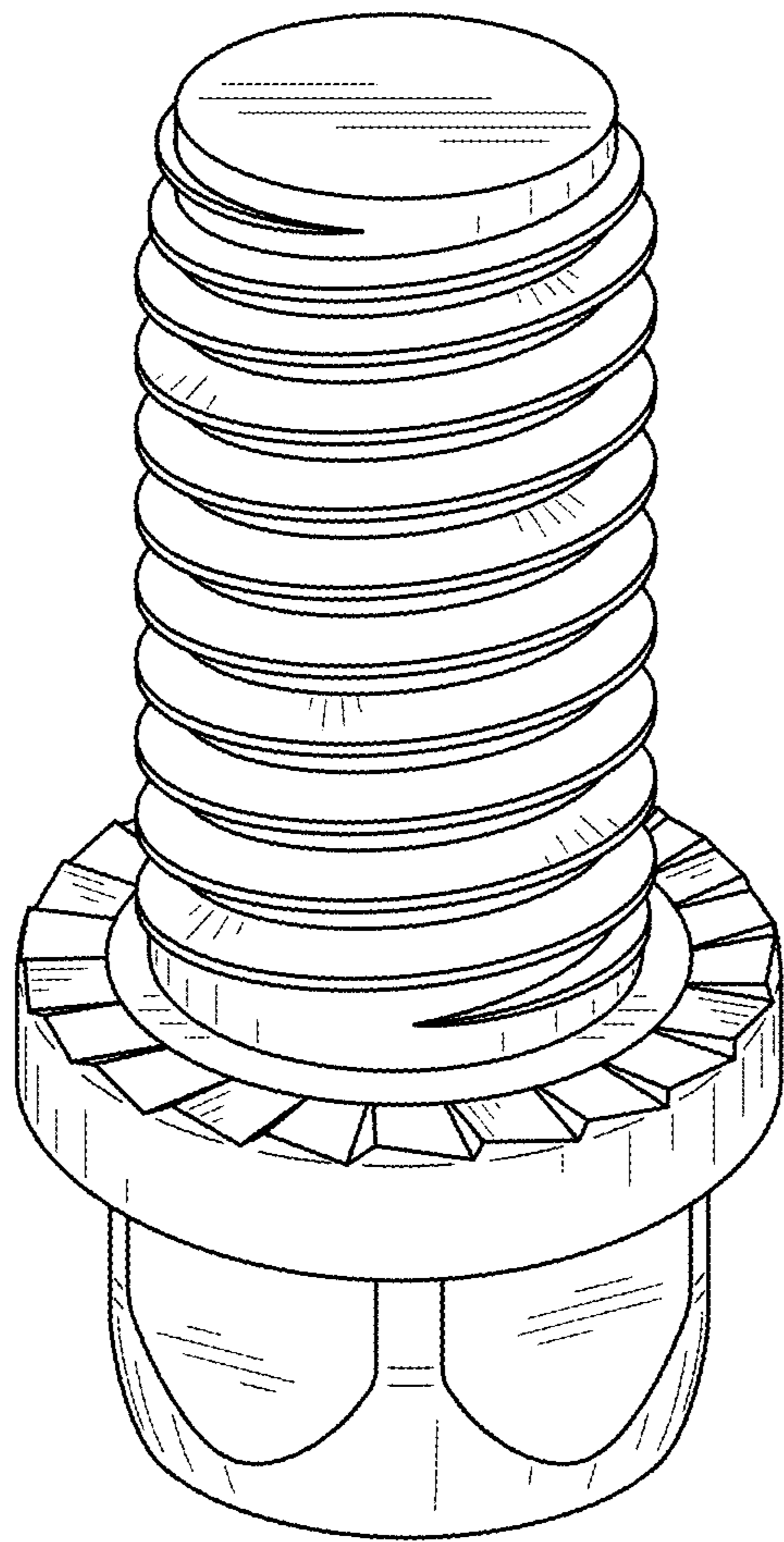


FIG. 1

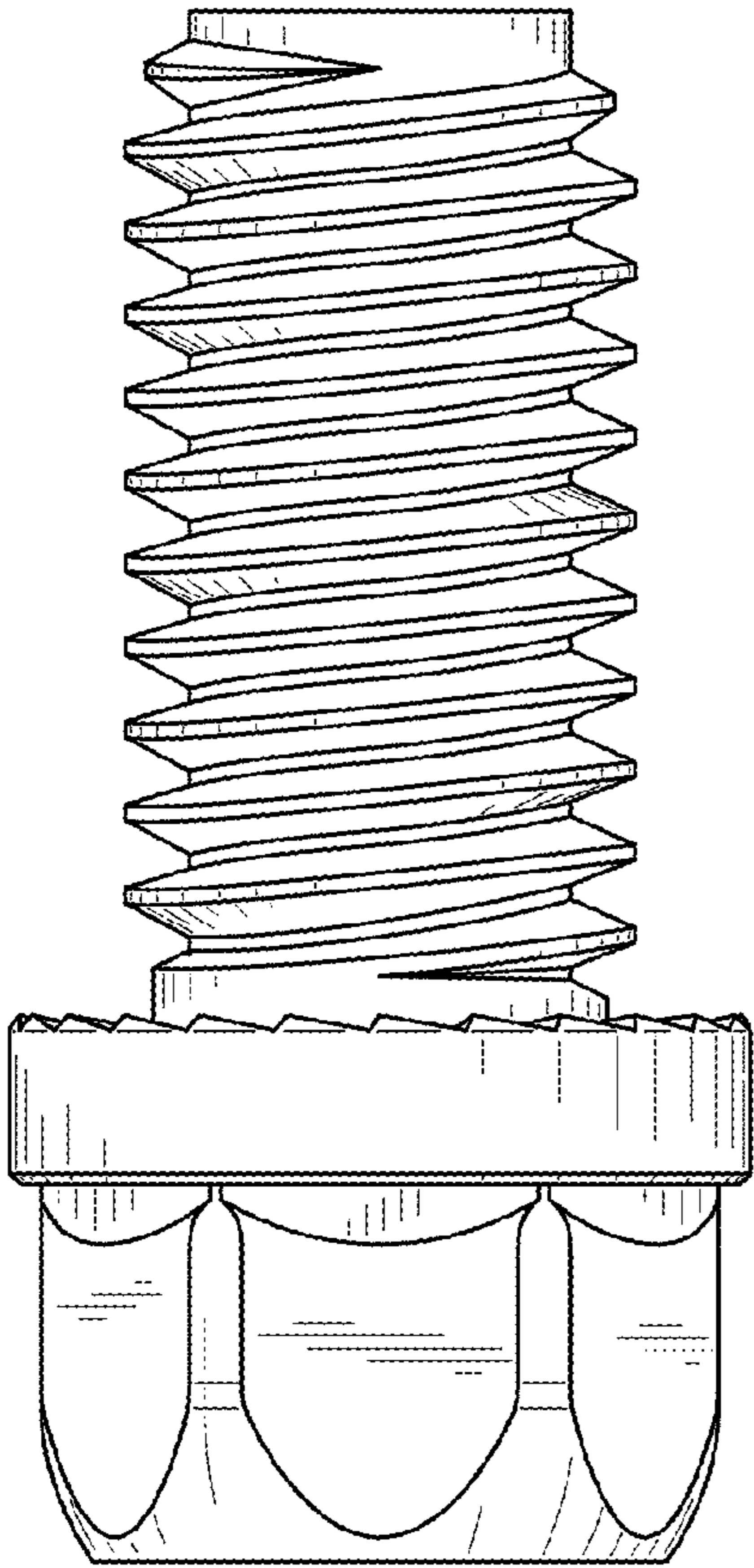


FIG. 2

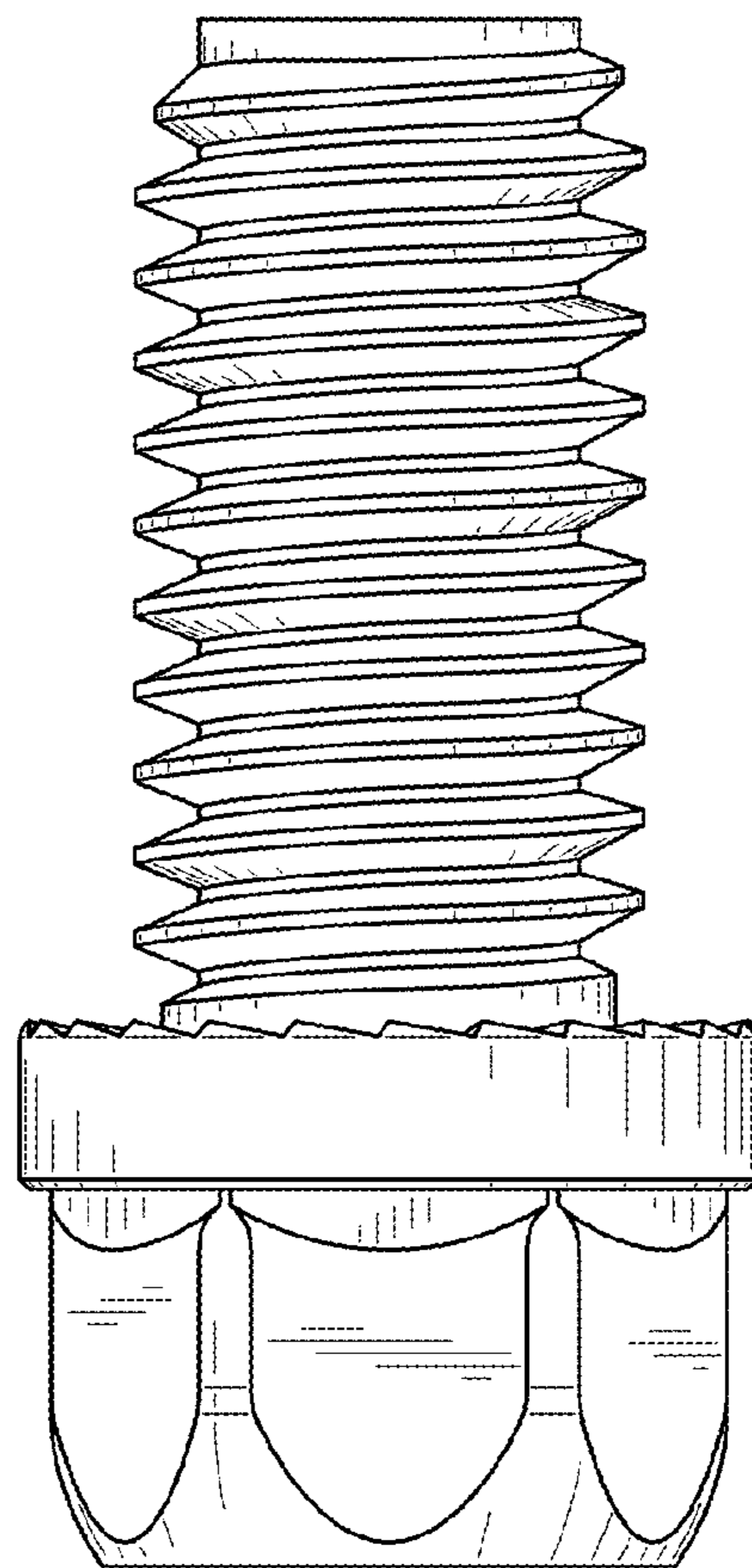


FIG. 3

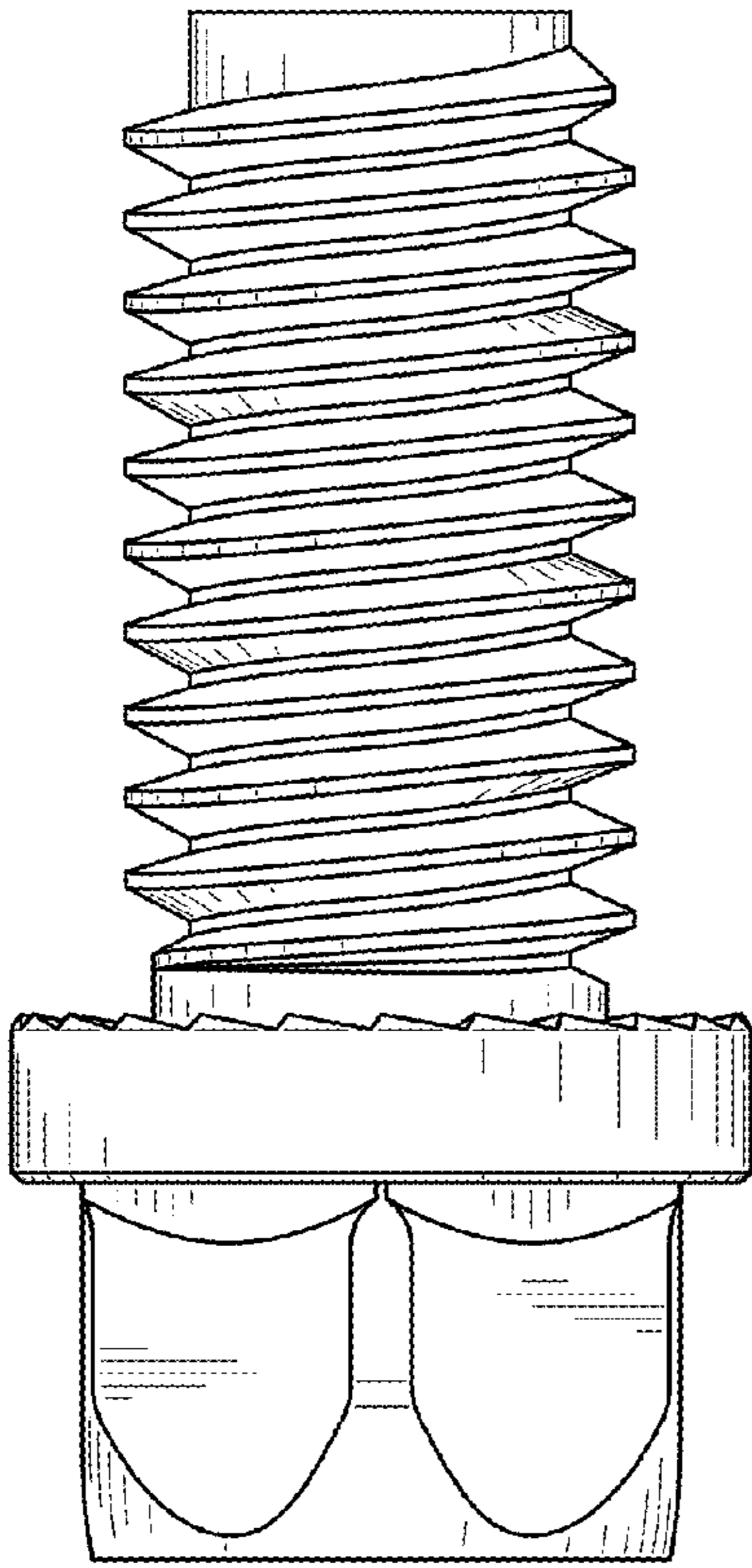


FIG. 4

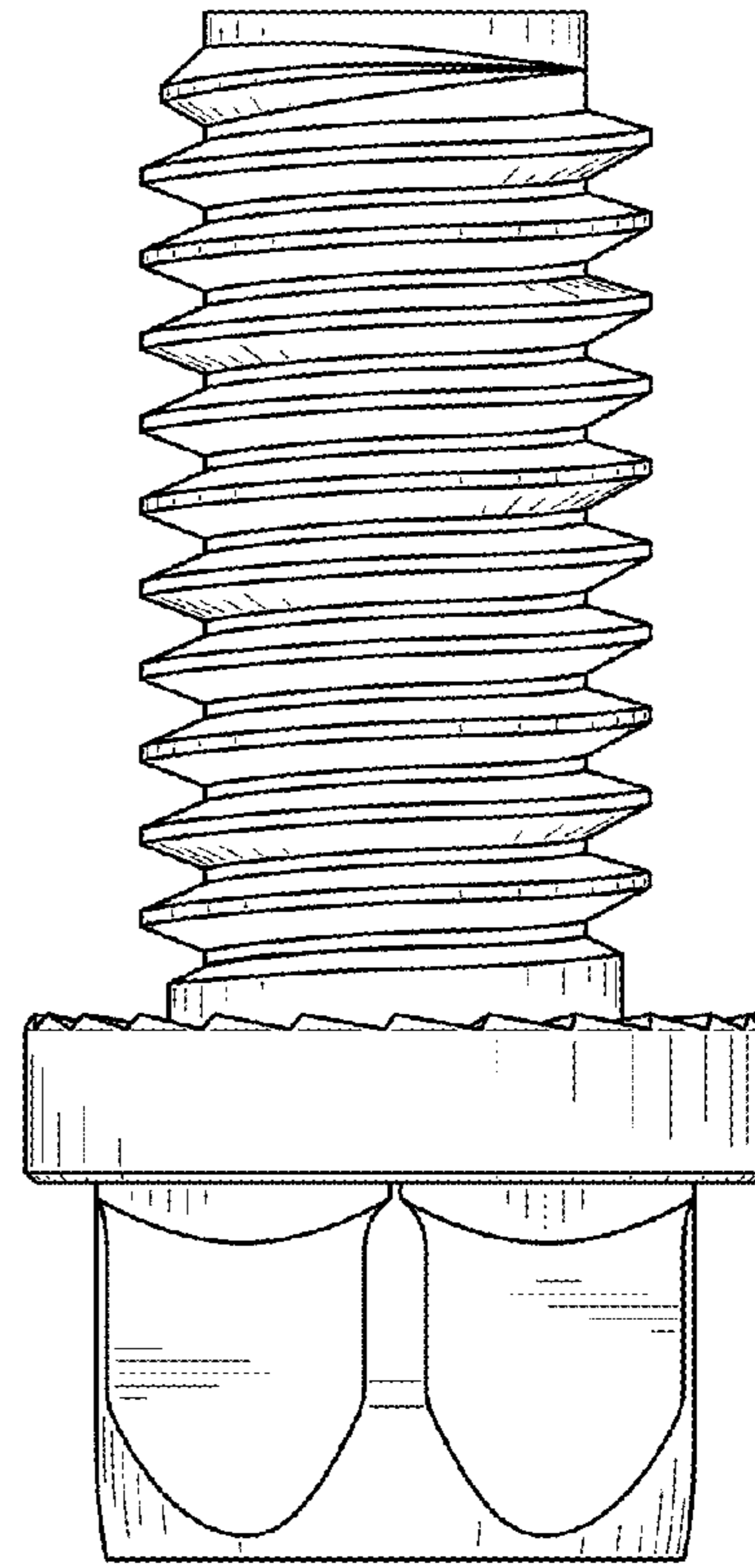


FIG. 5

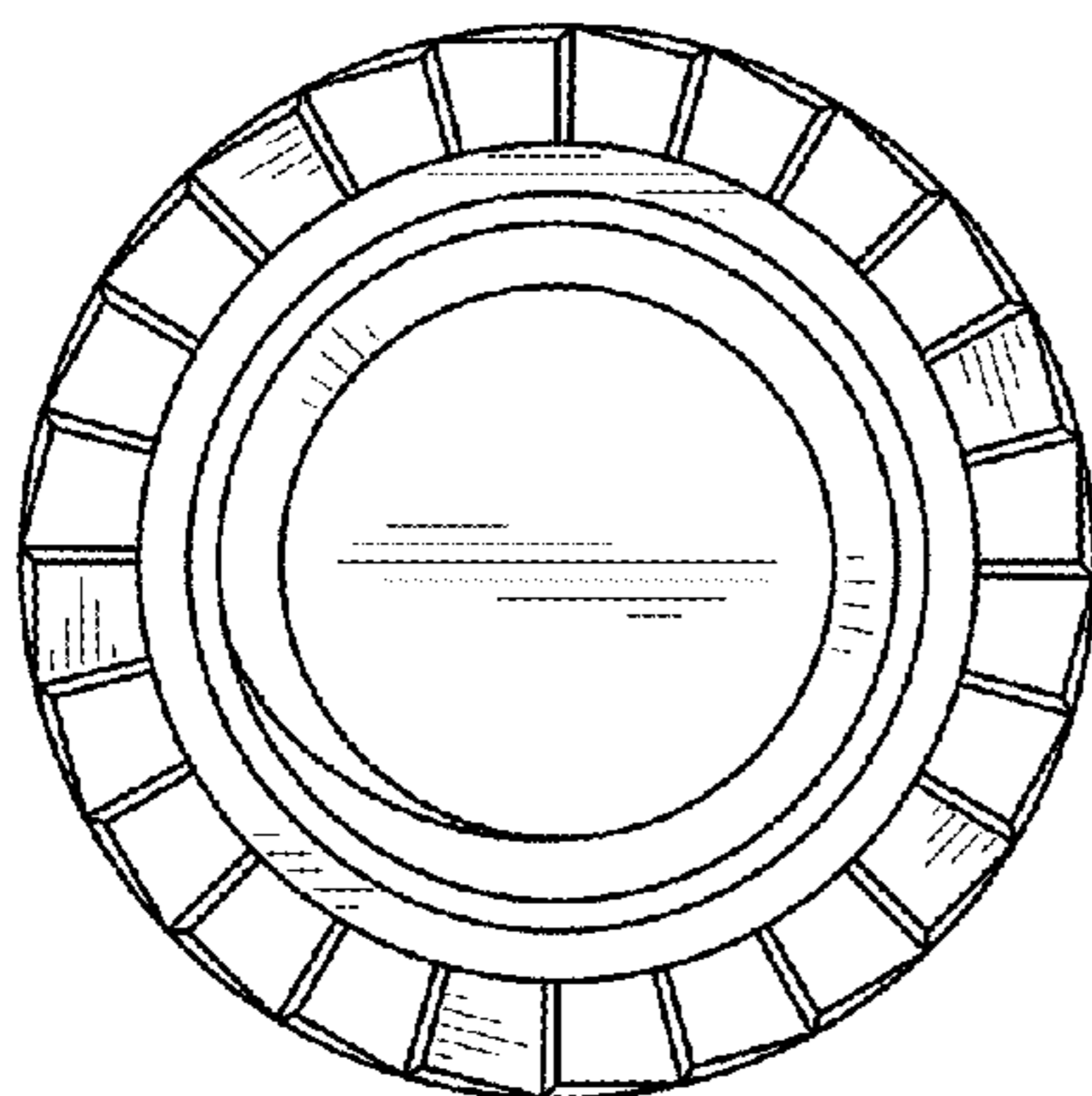


FIG. 6

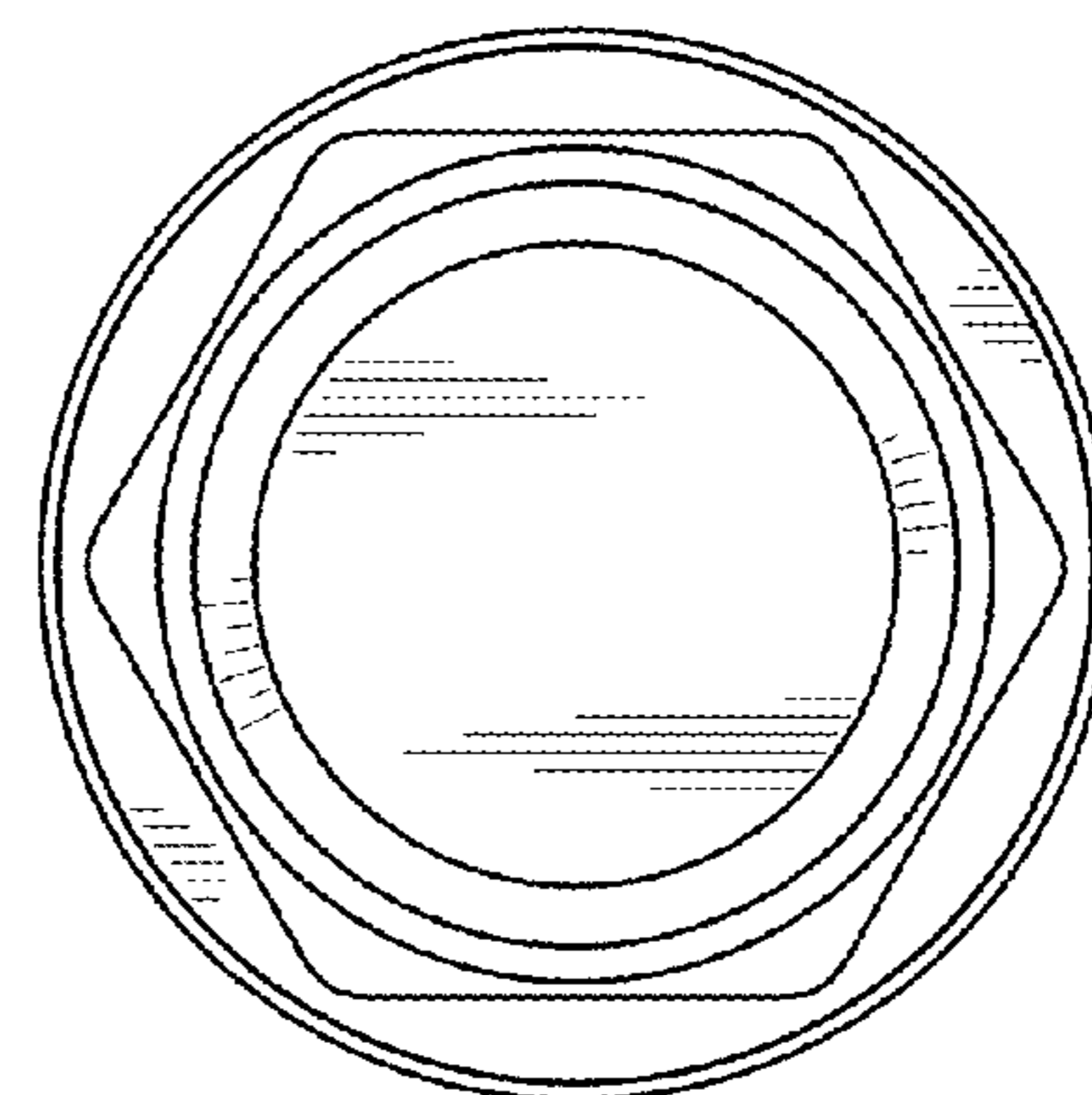


FIG. 7