



US00D726528S

(12) **United States Design Patent**
McCallum

(10) **Patent No.:** **US D726,528 S**

(45) **Date of Patent:** **** Apr. 14, 2015**

(54) **CONNECTOR FOR EDUCATIONAL CONSTRUCTION KITS**

(71) Applicant: **Blue Egg Advisory Group LLC**, New York, NY (US)

(72) Inventor: **Robert McCallum**, New York, NY (US)

(73) Assignee: **Blue Egg Advisory Group LLC**, New York, NY (US)

(**) Term: **14 Years**

(21) Appl. No.: **29/449,698**

(22) Filed: **Mar. 15, 2013**

(51) **LOC (10) Cl.** **08-08**

(52) **U.S. Cl.**
USPC **D8/382**

(58) **Field of Classification Search**
CPC F16C 11/06; F16C 17/00; F16C 39/36;
A63H 33/107; A47B 83/001; A47B 2037/005;
E04B 2/7433
USPC D8/382, 349, 354, 394; D12/223;
D25/61, 131; D21/486, 502; D6/337,
D6/499; 248/466, 300, 247; 52/649.8,
52/282.2, 362, 355, 702, 36.1, 655.1;
249/194; 446/126, 124, 102, 120;
403/141, 169, 175, 74, 76, 219, 361
See application file for complete search history.

(56) **References Cited**

U.S. PATENT DOCUMENTS

3,425,182 A * 2/1969 Owens 52/655.1

D257,365 S *	10/1980	Gabriel	D21/502
4,348,830 A *	9/1982	Hagberg	446/126
5,058,331 A *	10/1991	Epps	52/36.1
5,575,129 A *	11/1996	Goto	52/655.1
5,651,630 A *	7/1997	Nomura	403/219
5,690,446 A *	11/1997	Poissant et al.	403/361
D481,228 S *	10/2003	Shilling et al.	D6/499
7,677,010 B2 *	3/2010	Boots	52/655.1
8,382,548 B2 *	2/2013	Maggiore et al.	446/120
2002/0118998 A1 *	8/2002	Boxenbaum	403/141

* cited by examiner

Primary Examiner — Sheryl Lane

Assistant Examiner — Nicole Shiflet

(74) *Attorney, Agent, or Firm* — Lathrop & Gage LLP

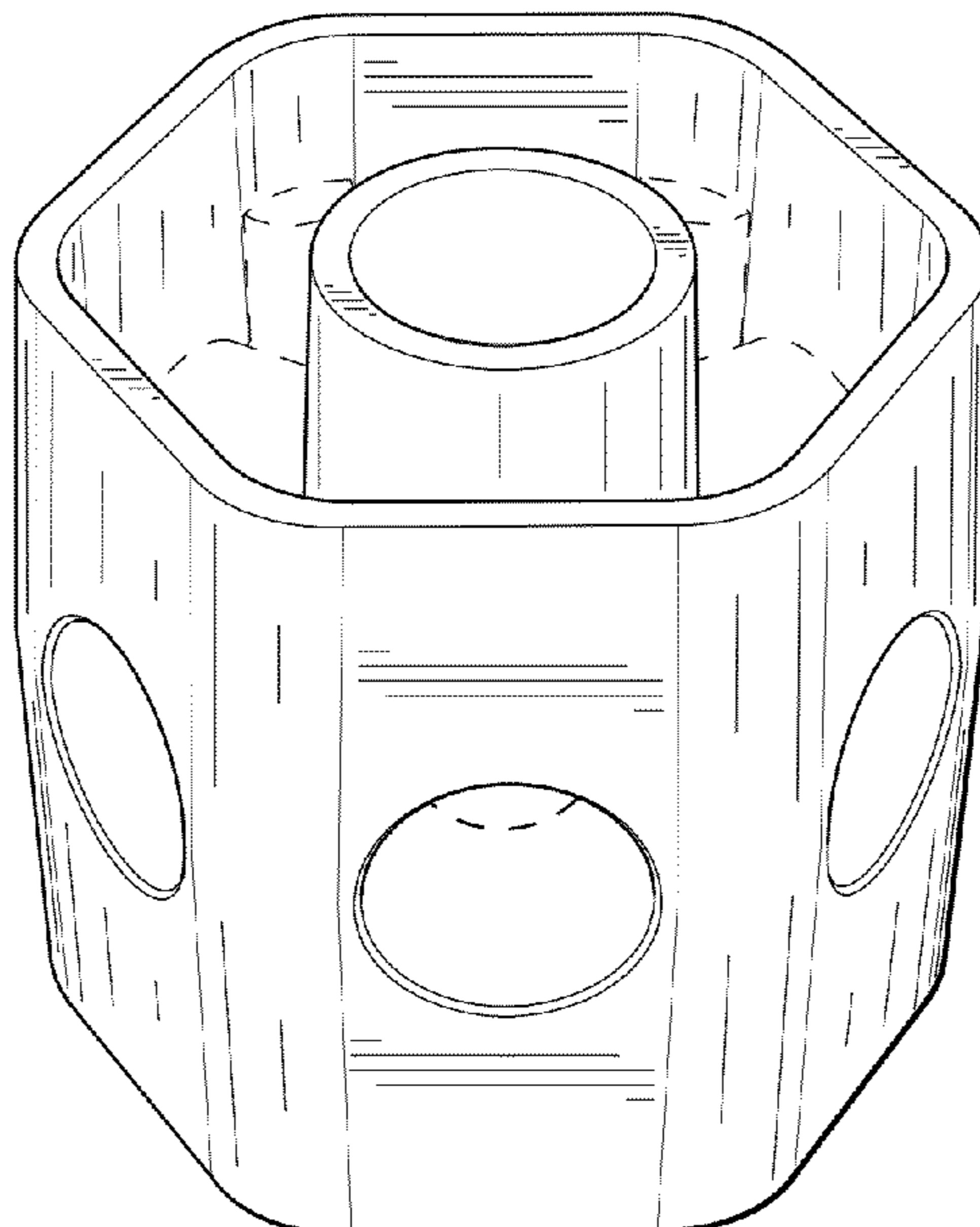
(57) **CLAIM**

The ornamental design for a connector for educational construction kits, as shown and described.

DESCRIPTION

FIG. 1 is a front perspective view from above.
FIG. 2 is a rear perspective view from below.
FIG. 3 is a top plan view.
FIG. 4 is a bottom plan view.
FIG. 5 is a front view.
FIG. 6 is a rear view.
FIG. 7 is a left side view; and,
FIG. 8 is a right side view.
FIGS. 1-4 and FIGS. 7-8 show broken lines that represent part of the article and form no part of the claimed design.

1 Claim, 5 Drawing Sheets



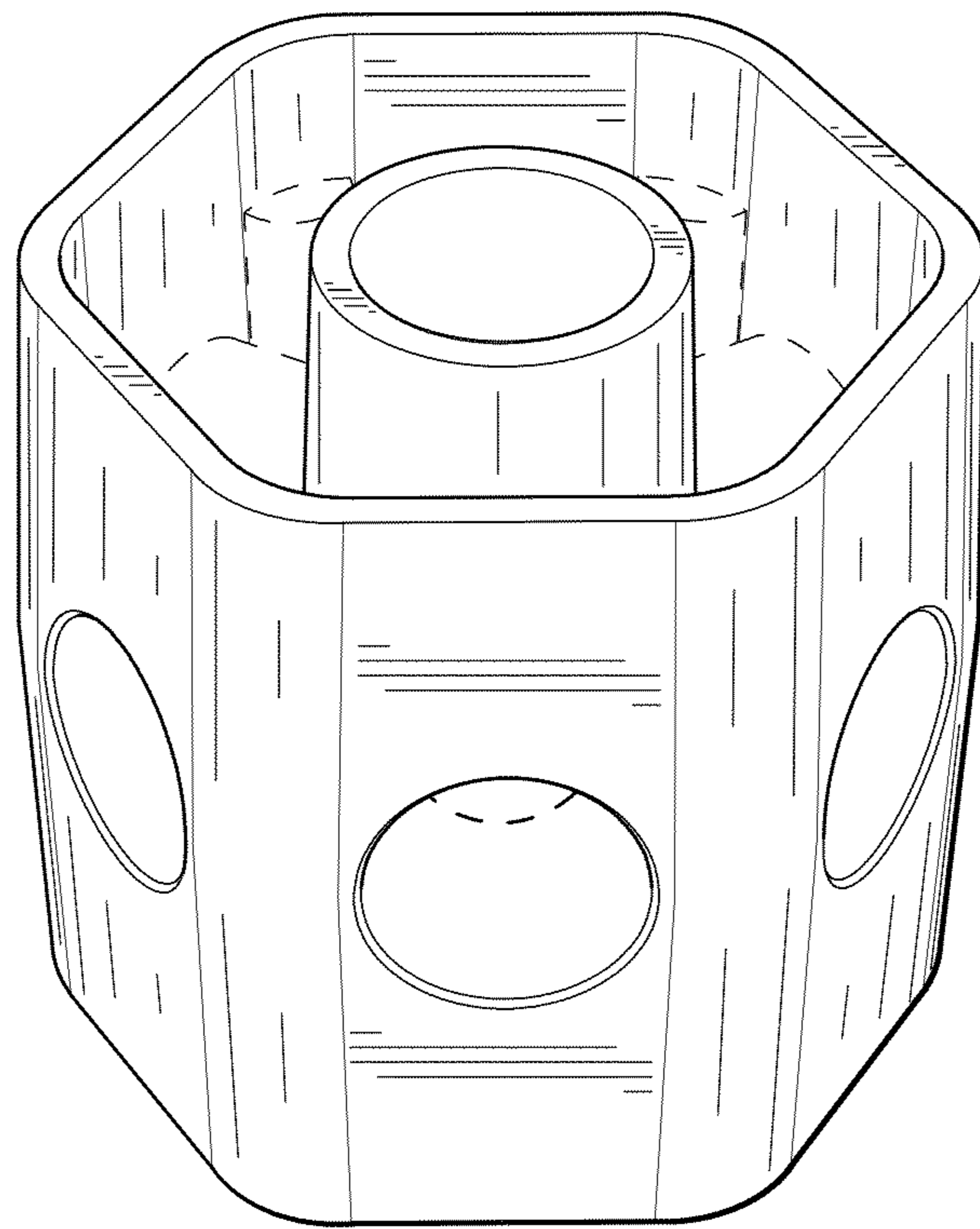


FIG. 1

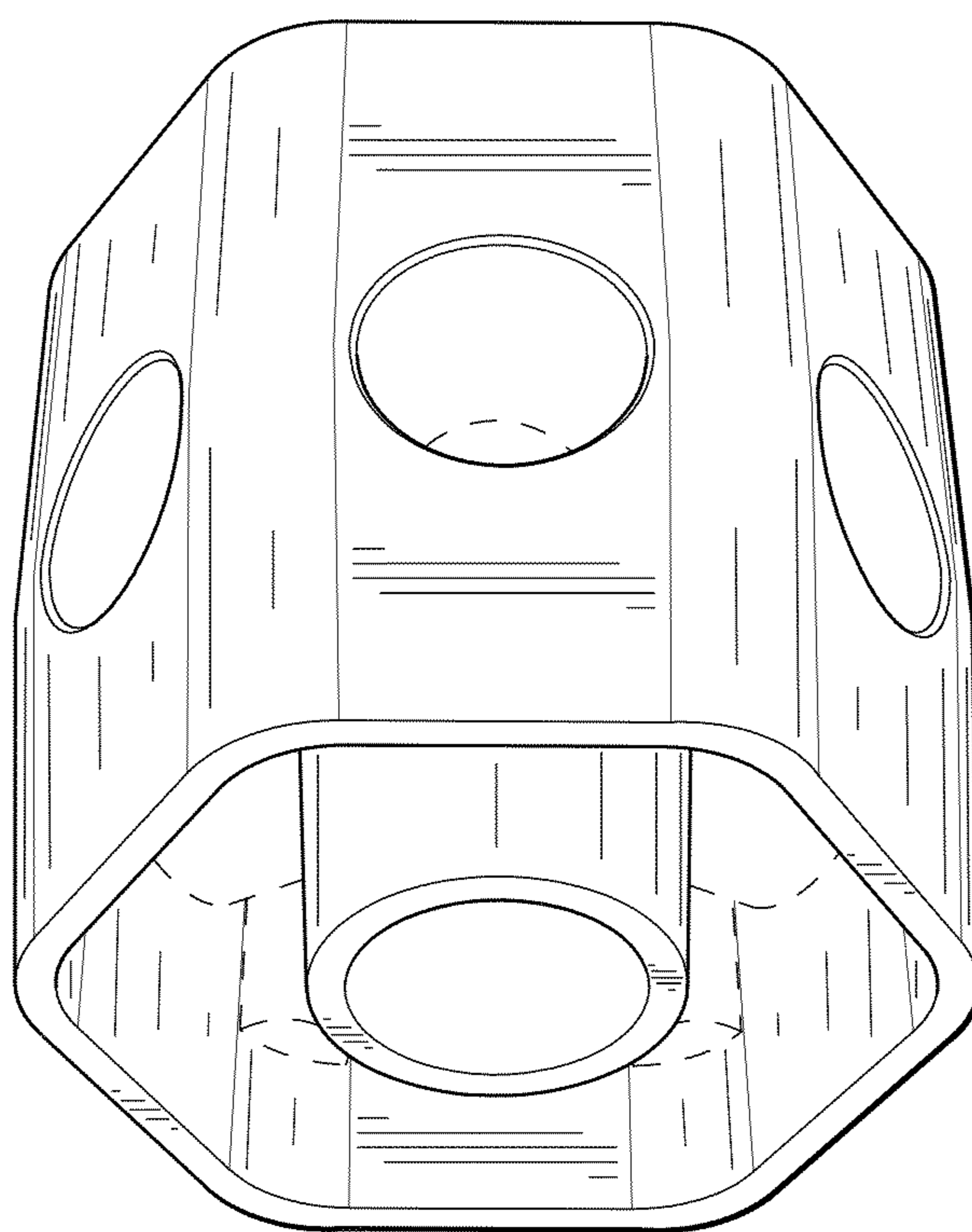


FIG. 2

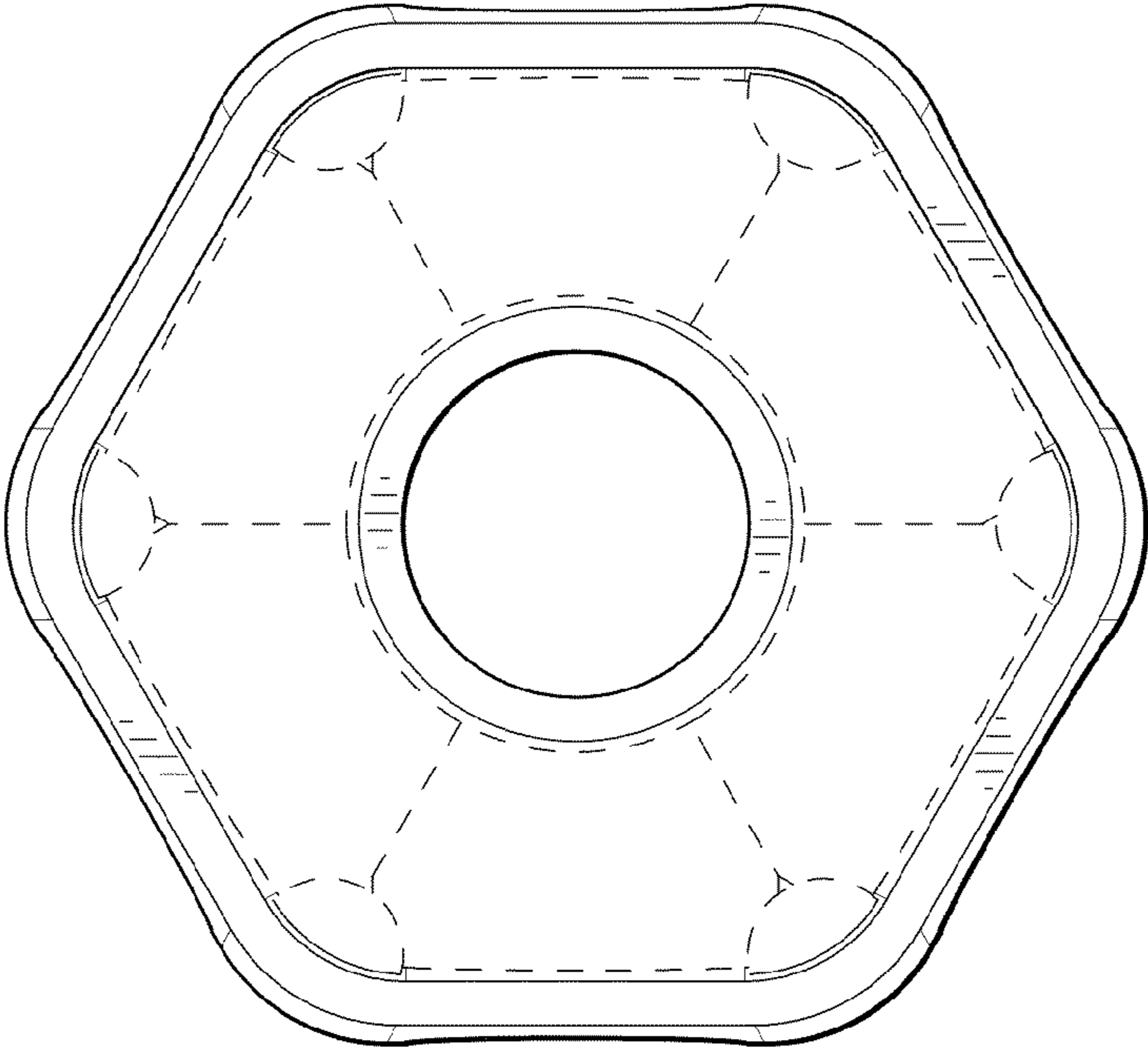


FIG. 3

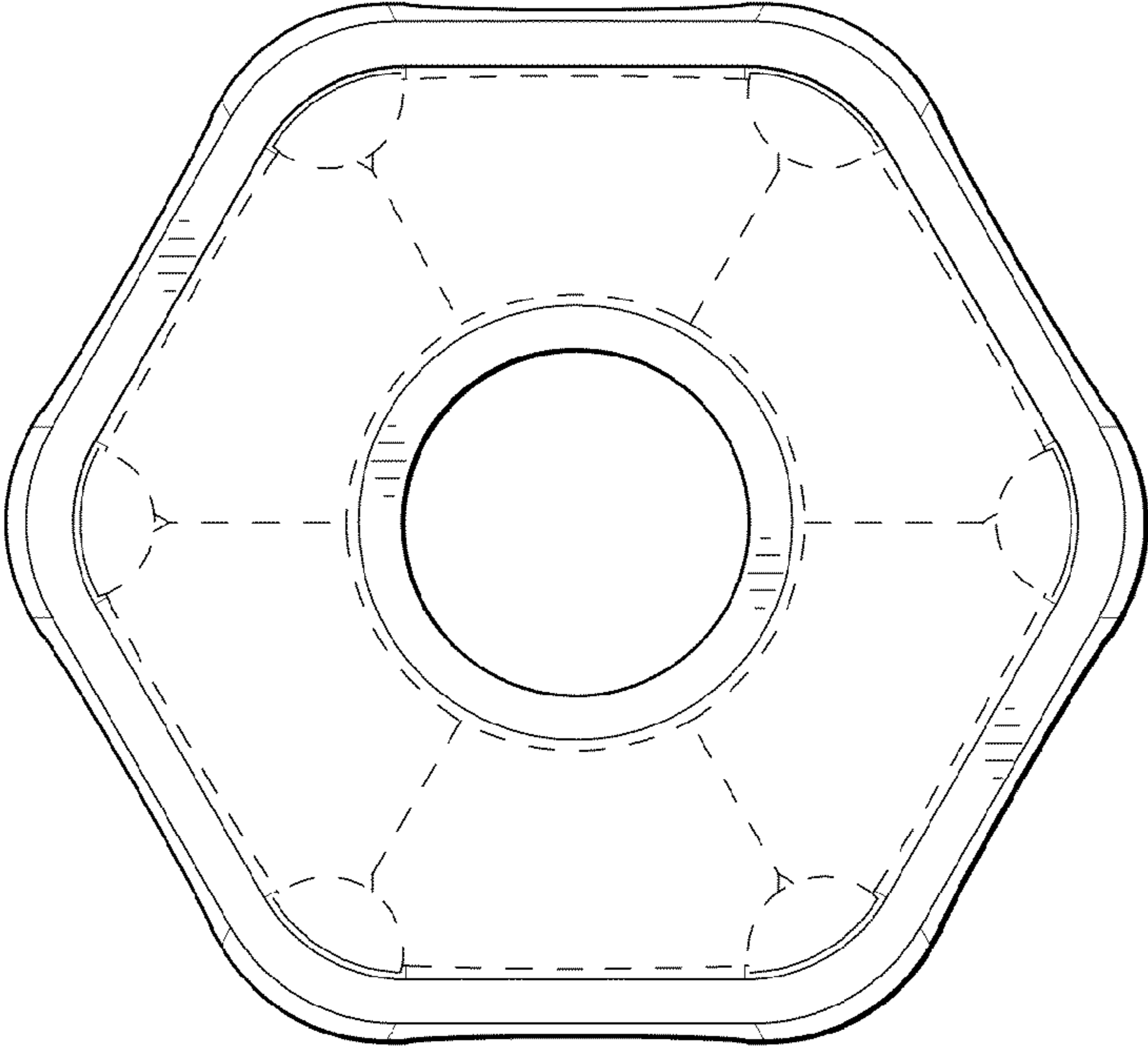


FIG. 4

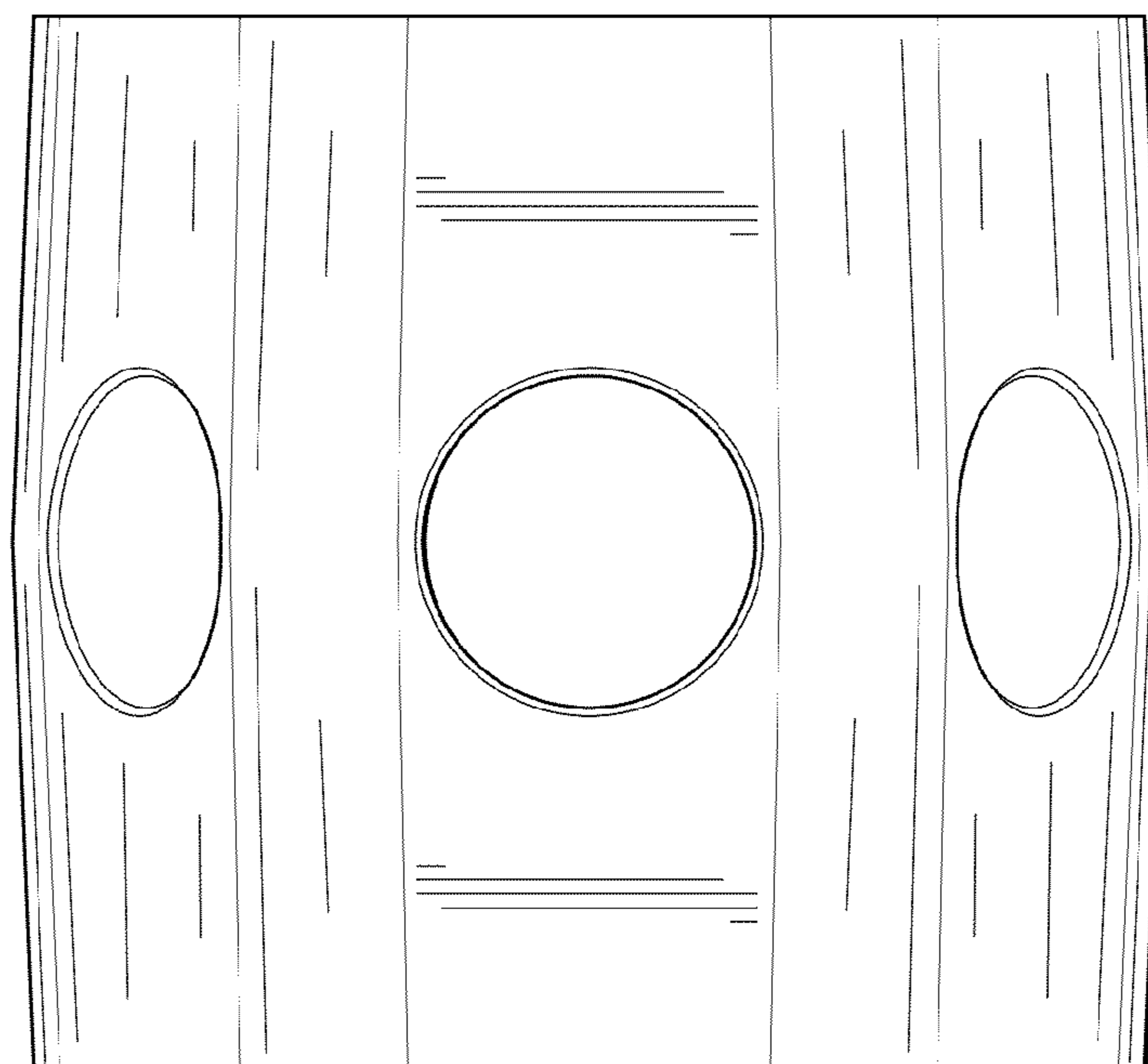


FIG. 5

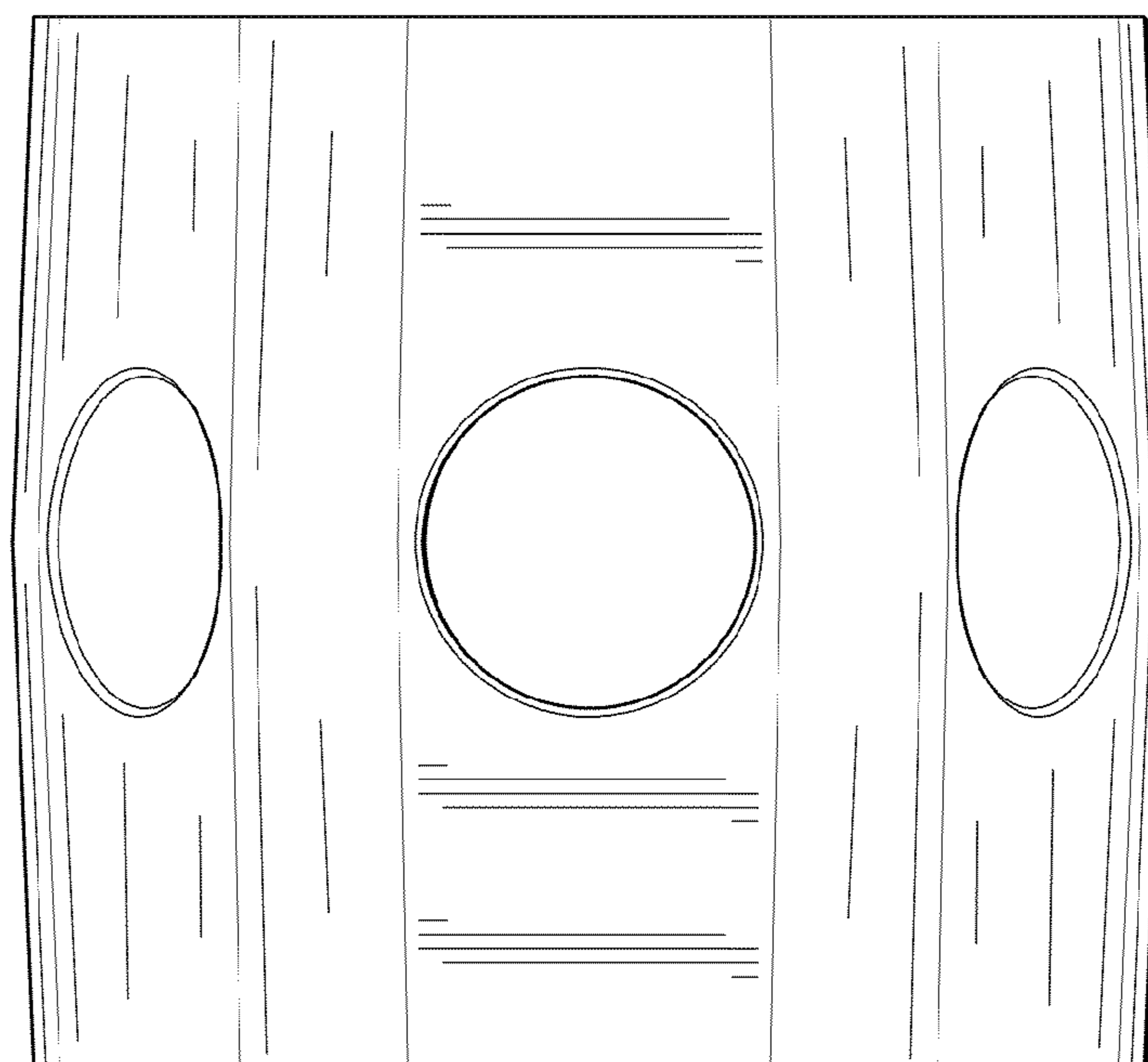


FIG. 6

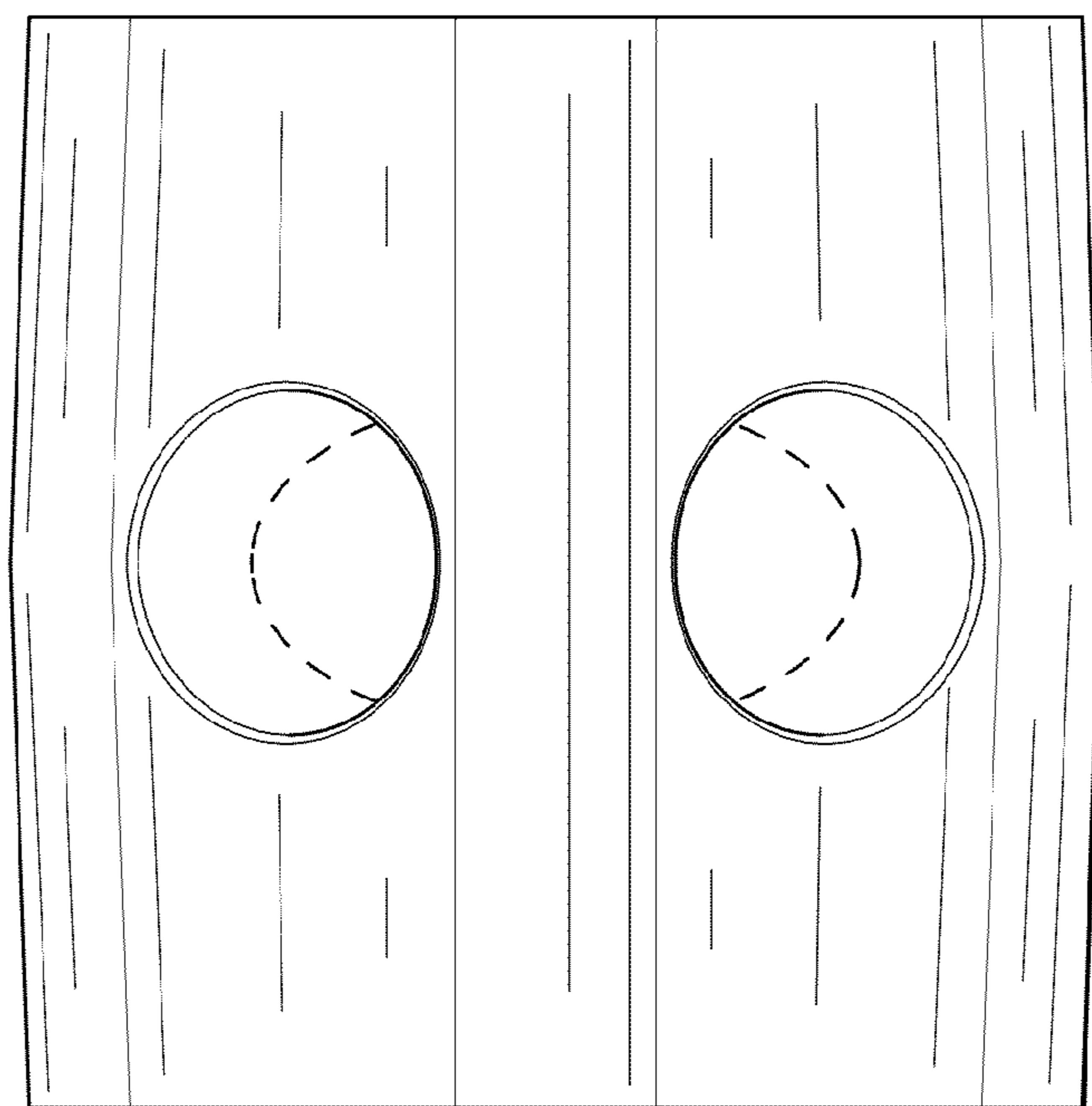


FIG. 7

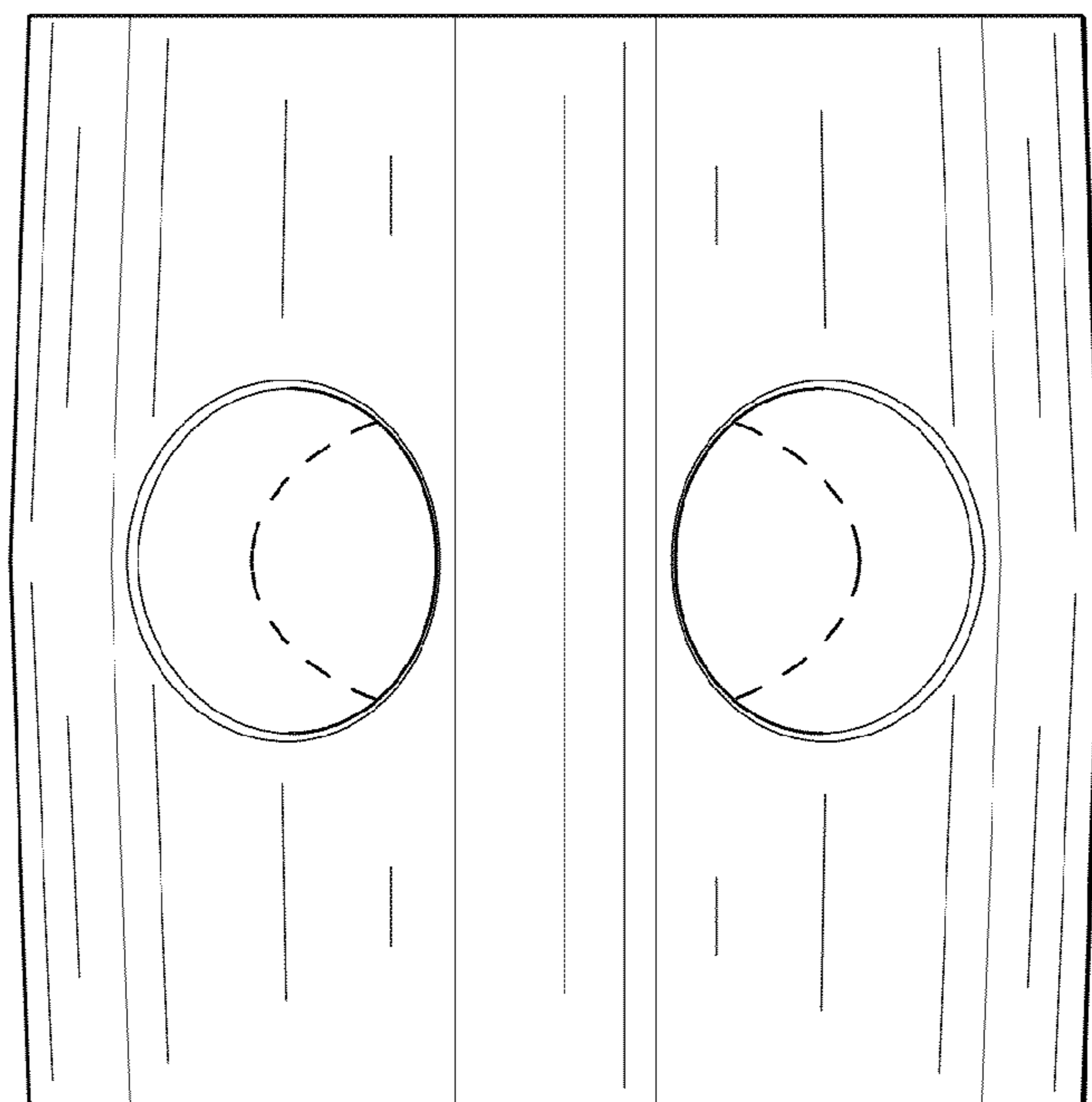


FIG. 8