



US00D726527S

(12) **United States Design Patent**  
**Walker**

(10) **Patent No.:** **US D726,527 S**  
(45) **Date of Patent:** **\*\* Apr. 14, 2015**

(54) **SHORT ADAPTER CLIP**  
(71) Applicant: **William H. Walker**, Fairlawn, OH (US)  
(72) Inventor: **William H. Walker**, Fairlawn, OH (US)  
(73) Assignee: **Fasteners For Retail, Inc.**, Twinsburg, OH (US)  
(\*\*) Term: **14 Years**

D227,858	S	*	7/1973	Goldman	.....	D8/373
D235,508	S	*	6/1975	Yamasaki	.....	D8/373
D236,950	S	*	9/1975	Goldman	.....	D8/373
3,965,540	A	*	6/1976	Moore	.....	248/251
4,037,813	A	*	7/1977	Loui et al.	.....	248/250
D265,849	S	*	8/1982	Ng	.....	D23/245
4,455,007	A	*	6/1984	Varon et al.	.....	248/251
5,624,095	A	*	4/1997	Zissu	.....	248/231.81
D419,859	S	*	2/2000	Marsh	.....	D8/381
6,698,124	B2	*	3/2004	Kump et al.	.....	40/642.02
7,891,617	B2	*	2/2011	Tisbo	.....	248/220.22

(21) Appl. No.: **29/448,690**  
(22) Filed: **Mar. 13, 2013**  
(51) **LOC (10) Cl.** ..... **08-05**  
(52) **U.S. Cl.**  
USPC ..... **D8/381**  
(58) **Field of Classification Search**  
CPC ..... A47F 1/00; A47F 3/06; A47F 5/006;  
A47F 5/0018; A47F 7/00; A47F 5/00; A47F  
10/00; A47F 10/02; A47F 11/00; A47F 11/02;  
A47F 13/00  
USPC ..... D6/396, 418, 409, 449, 512, 552;  
D8/354, 349, 380, 381; D20/10, 41,  
D20/42, 99; 248/262, 220.31, 220.43, 251,  
248/300  
See application file for complete search history.

\* cited by examiner

*Primary Examiner* — Eric Goodman  
*Assistant Examiner* — Sanjeev Paul

(74) *Attorney, Agent, or Firm* — Fay Sharpe LLP

(56) **References Cited**  
U.S. PATENT DOCUMENTS

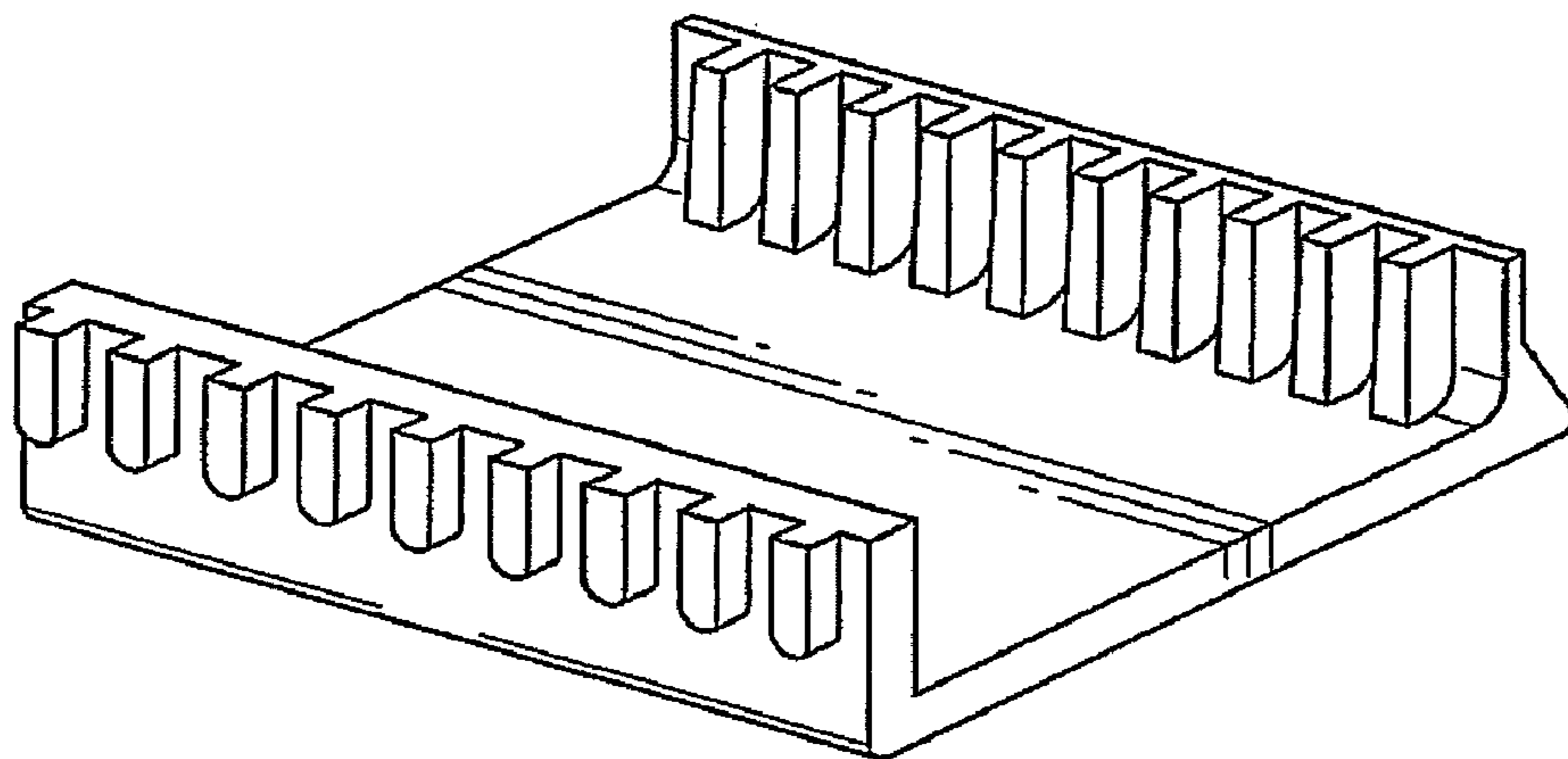
1,614,719	A	*	1/1927	Dabney	.....	248/208
D202,923	S	*	11/1965	Klitzky	.....	D8/380

(57) **CLAIM**  
The ornamental design for a short adapter clip, as shown and described.

**DESCRIPTION**

FIG. 1 is a front top right perspective view of a short adapter clip showing my new design;  
FIG. 2 is a rear bottom right perspective view thereof;  
FIG. 3 is a left side elevational view thereof, with a right side elevational view being a mirror image thereof;  
FIG. 4 is a front elevational view thereof;  
FIG. 5 is a rear elevational view thereof;  
FIG. 6 is a top plan view thereof; and,  
FIG. 7 is a bottom plan view thereof.

**1 Claim, 2 Drawing Sheets**



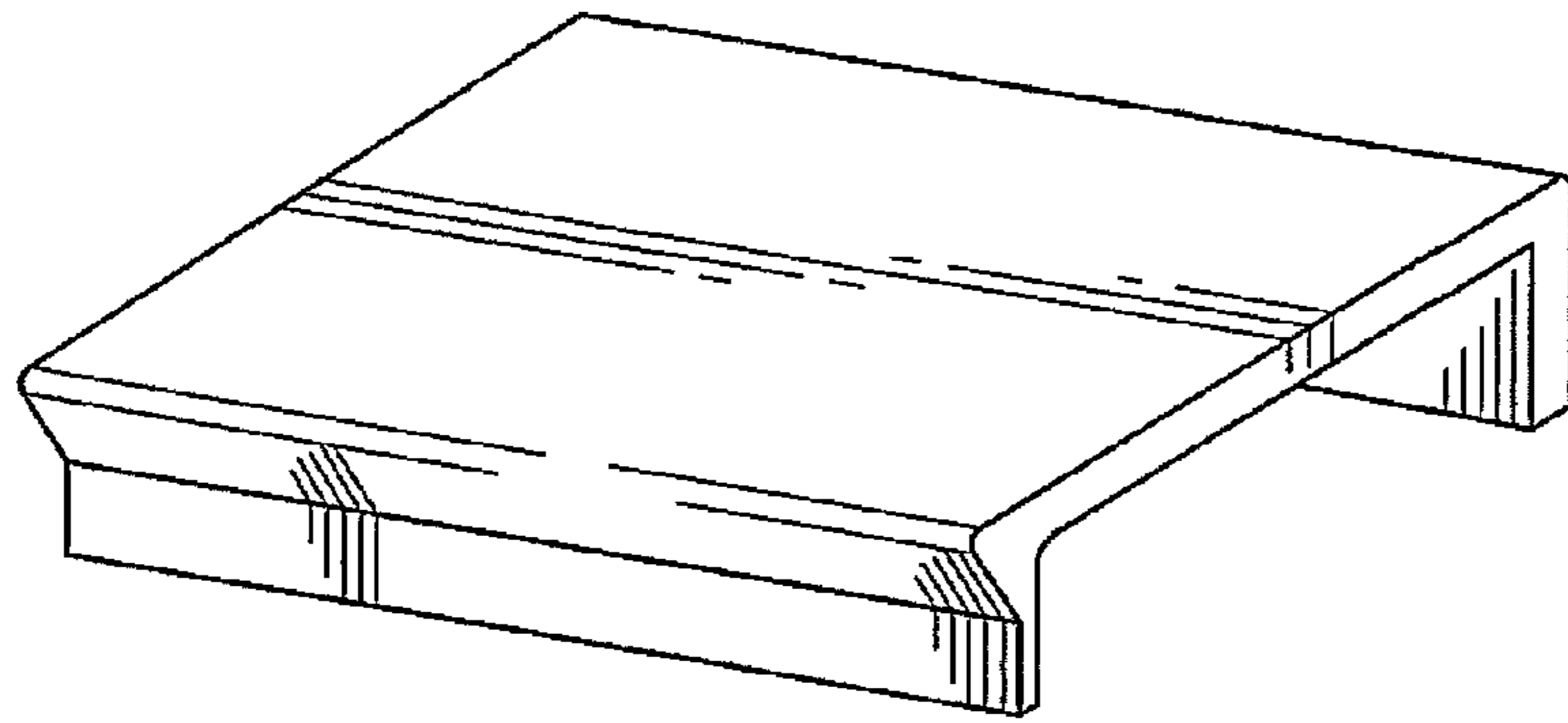


FIG. 1

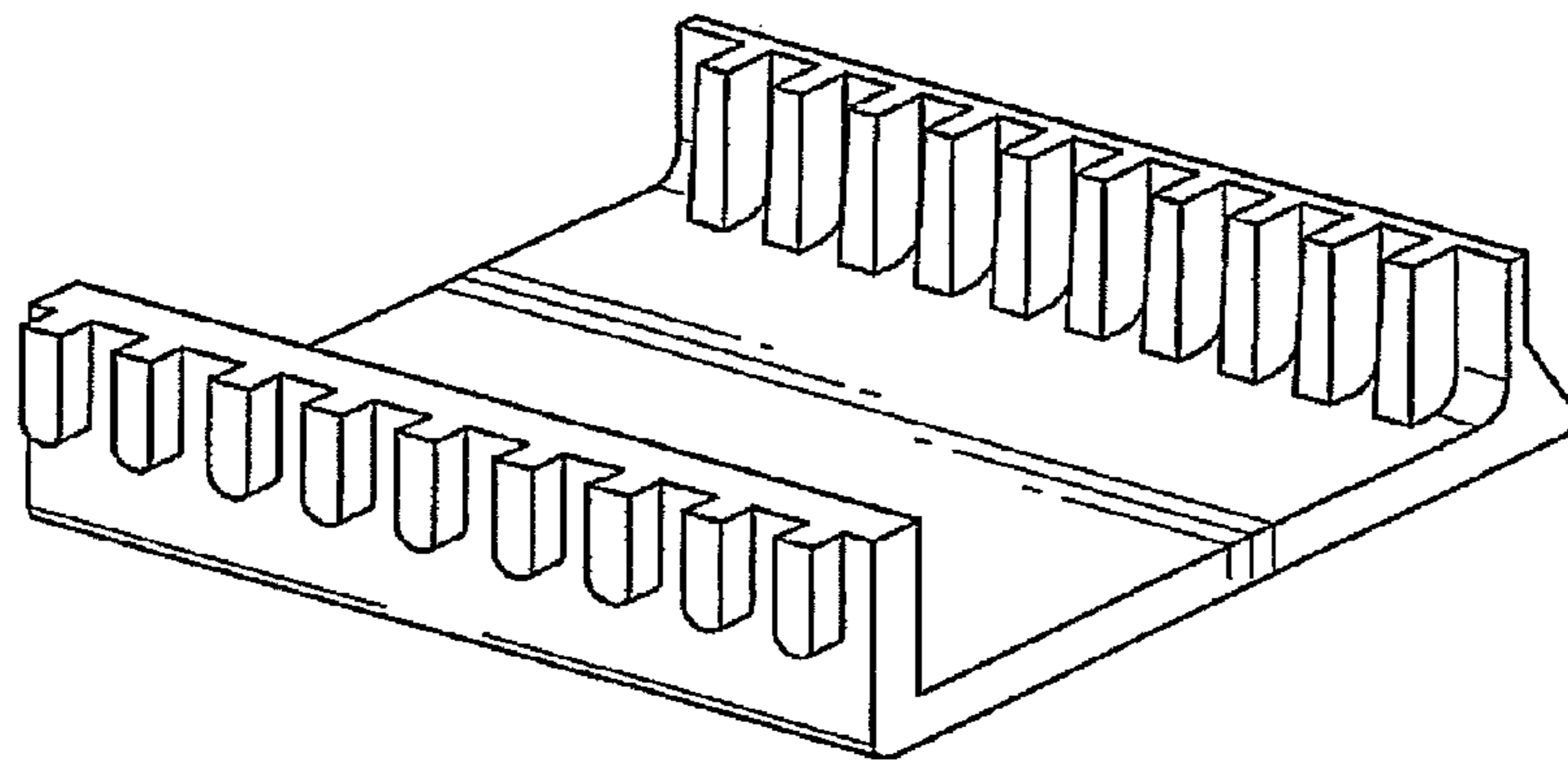


FIG. 2

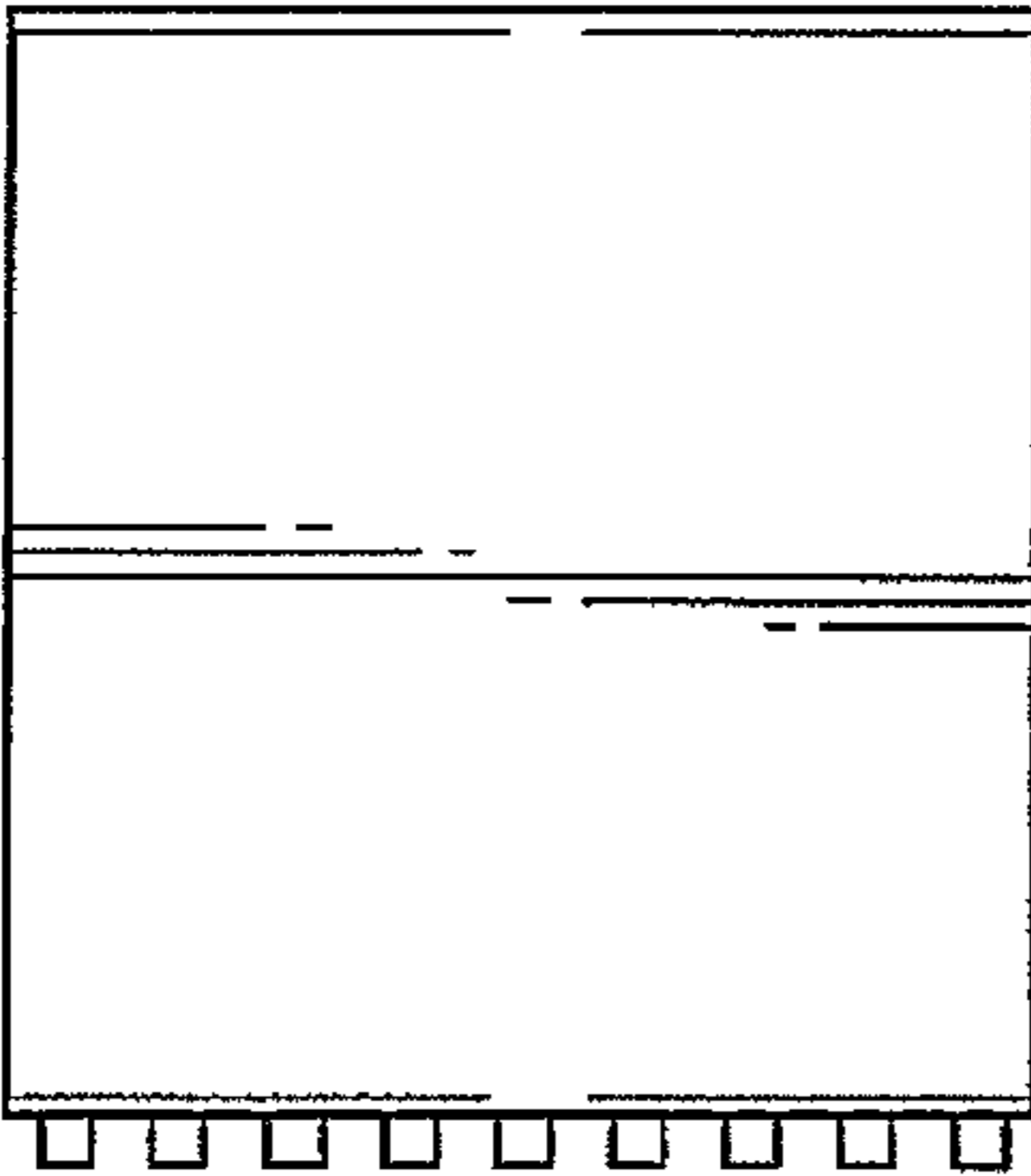


FIG. 6



FIG. 5



FIG. 3

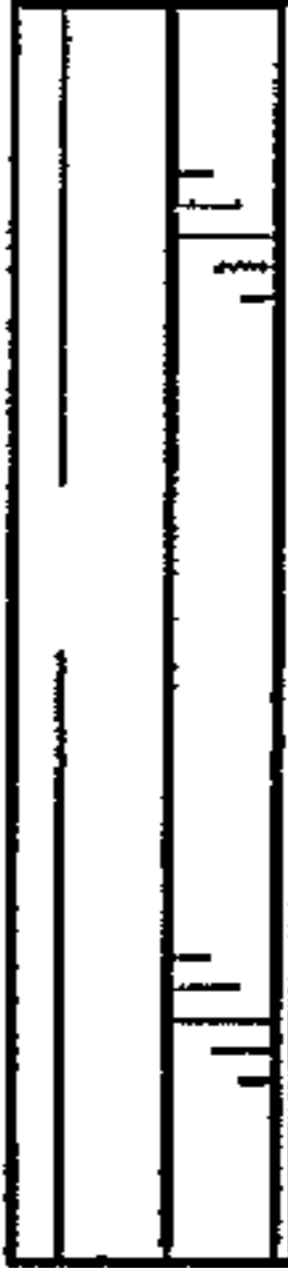


FIG. 4

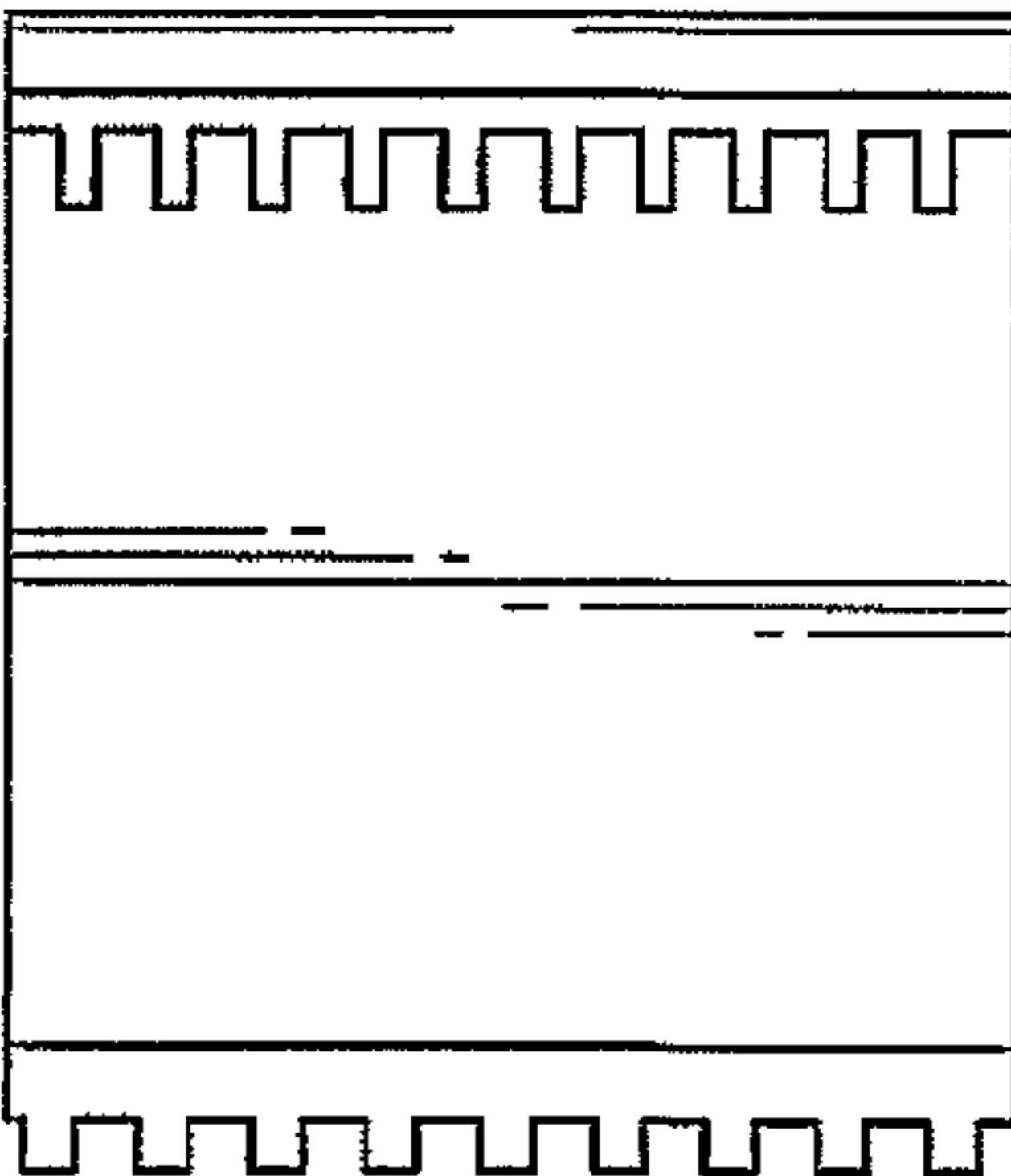


FIG. 7