

US00D726526S

(12) **United States Design Patent**
Veilleux

(10) **Patent No.:** **US D726,526 S**

(45) **Date of Patent:** **** Apr. 14, 2015**

(54) **ROD HOOK**

(71) Applicant: **David Veilleux**, Stillwater, MN (US)

(72) Inventor: **David Veilleux**, Stillwater, MN (US)

(**) Term: **14 Years**

(21) Appl. No.: **29/469,184**

(22) Filed: **Oct. 8, 2013**

(51) **LOC (10) Cl.** **08-05**

(52) **U.S. Cl.**
USPC **D8/367**

(58) **Field of Classification Search**
CPC A47G 1/00; A47G 25/00
USPC D8/367, 354, 349, 373; D6/323;
248/301-304, 339
See application file for complete search history.

D610,898 S *	3/2010	Hager et al.	D8/367
D632,950 S *	2/2011	McGreevy et al.	D8/367
D632,951 S *	2/2011	McGreevy et al.	D8/367
D641,228 S *	7/2011	Qiblawi et al.	D8/367
D641,229 S *	7/2011	Qiblawi et al.	D8/367
D653,521 S *	2/2012	Wike	D8/310
D665,653 S *	8/2012	Thompson et al.	D8/367
D667,720 S *	9/2012	Berkowitz	D8/367
D671,820 S *	12/2012	Henderson	D8/373
D697,388 S *	1/2014	Pan	D8/367
D700,827 S *	3/2014	Starck	D8/367
D709,357 S *	7/2014	Bell	D8/373
D717,617 S *	11/2014	Pascuzzo	D8/1
2010/0102193 A1 *	4/2010	Lindner et al.	248/534

* cited by examiner

Primary Examiner — Cynthia Underwood

(74) *Attorney, Agent, or Firm* — James A. Italia; Italia IP

(57) **CLAIM**

The ornamental design for a rod hook, as shown and described.

DESCRIPTION

FIG. 1 is a perspective view of a rod hook, showing my new design;

FIG. 2 is a front elevational view of the invention;

FIG. 3 is a rear elevational view of the invention;

FIG. 4 is a right-side elevational view of the invention;

FIG. 5 is a left-side elevational view of the invention;

FIG. 6 is a top plan view of the invention; and,

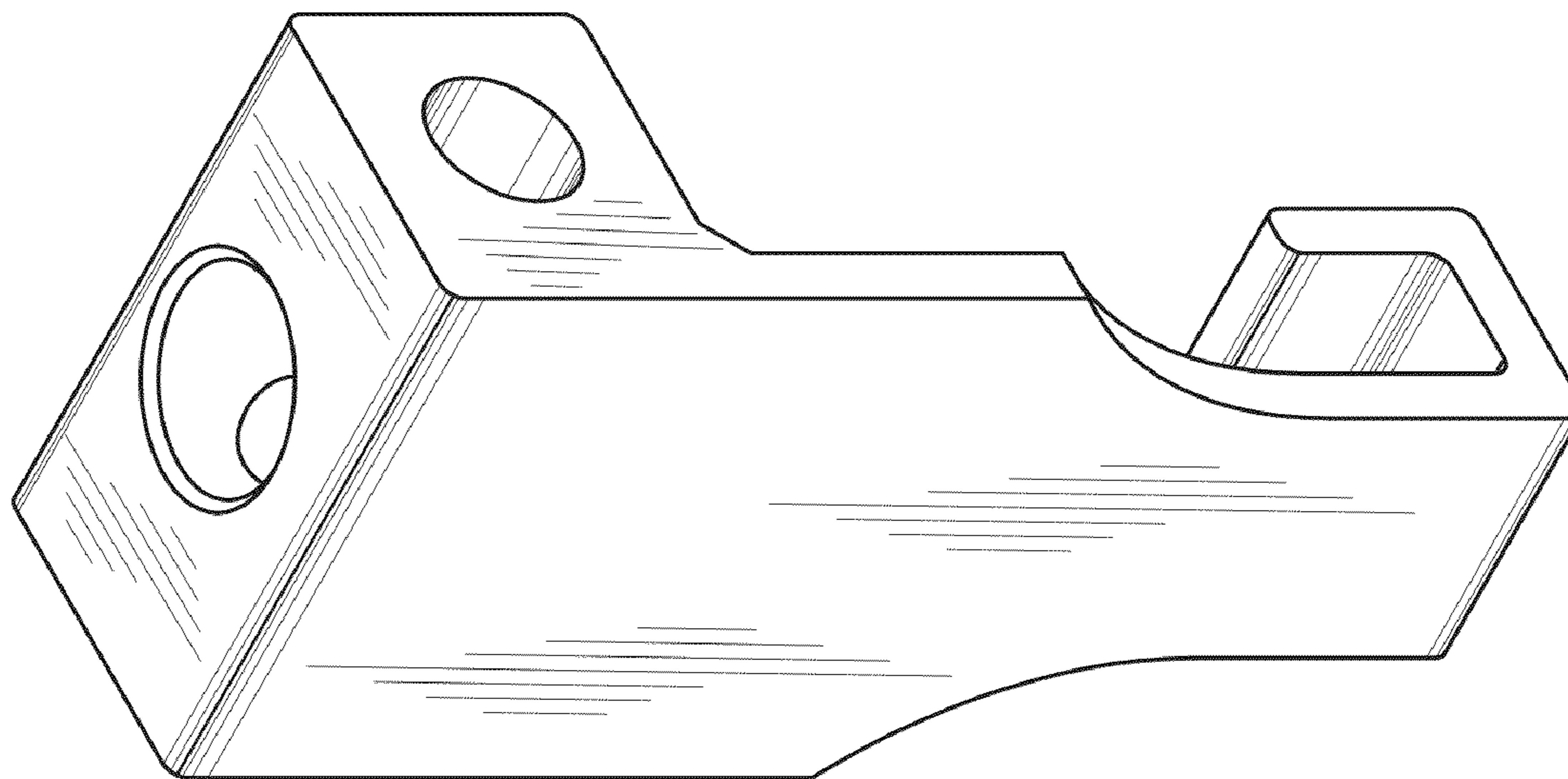
FIG. 7 is a bottom plan view of the invention.

1 Claim, 3 Drawing Sheets

(56) **References Cited**

U.S. PATENT DOCUMENTS

D242,524 S *	11/1976	Washburn	D8/371
D453,274 S *	2/2002	Lai	D6/524
D480,292 S *	10/2003	Johansson et al.	D8/367
D486,057 S *	2/2004	Chen	D8/367
D490,694 S *	6/2004	Levine-Umans	D8/367
D494,452 S *	8/2004	Sheldon et al.	D8/367
D548,571 S *	8/2007	Bigelow et al.	D8/349
D600,536 S *	9/2009	Hager et al.	D8/367
D609,995 S *	2/2010	Hager et al.	D8/367



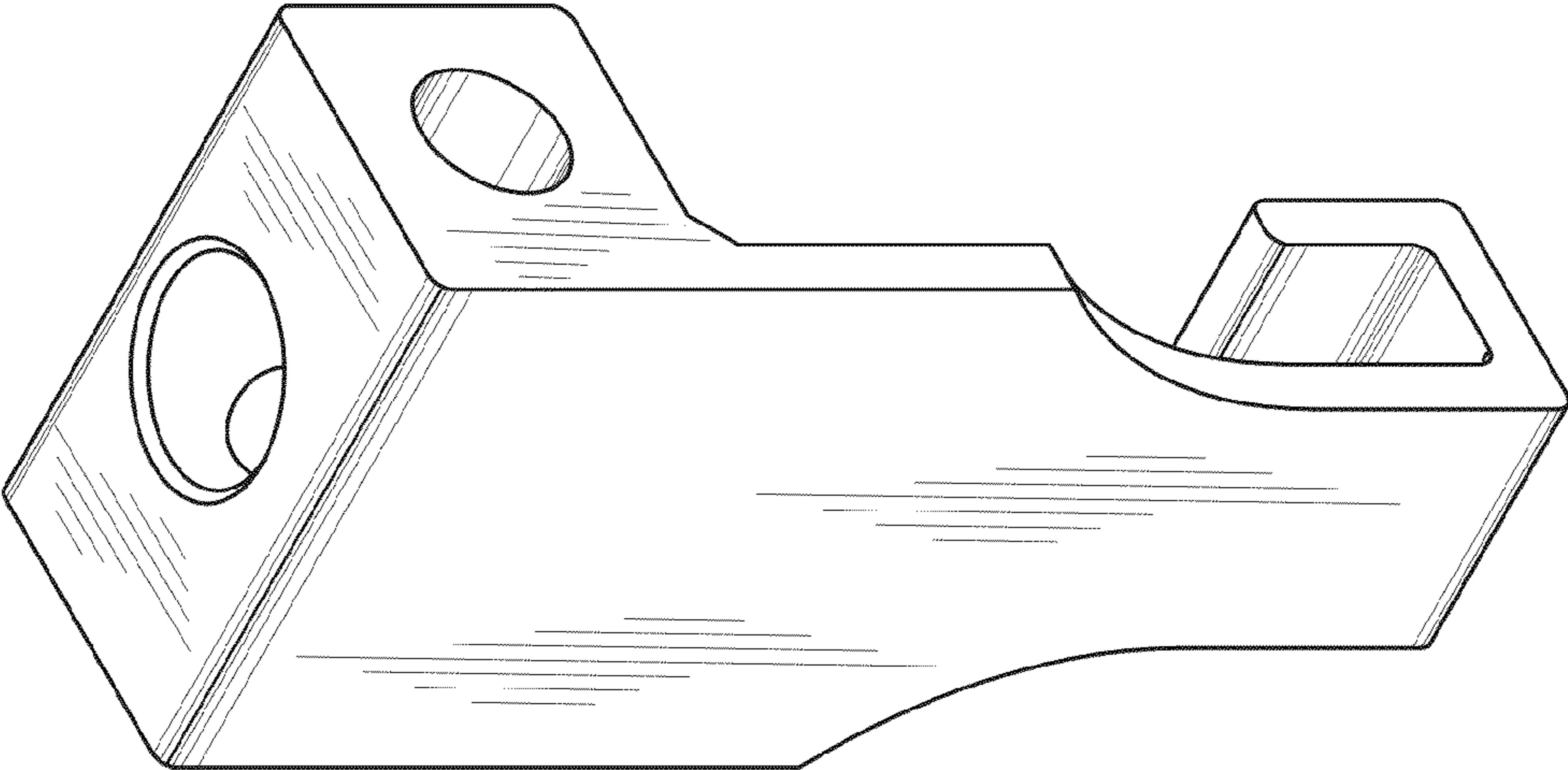


FIG. 1

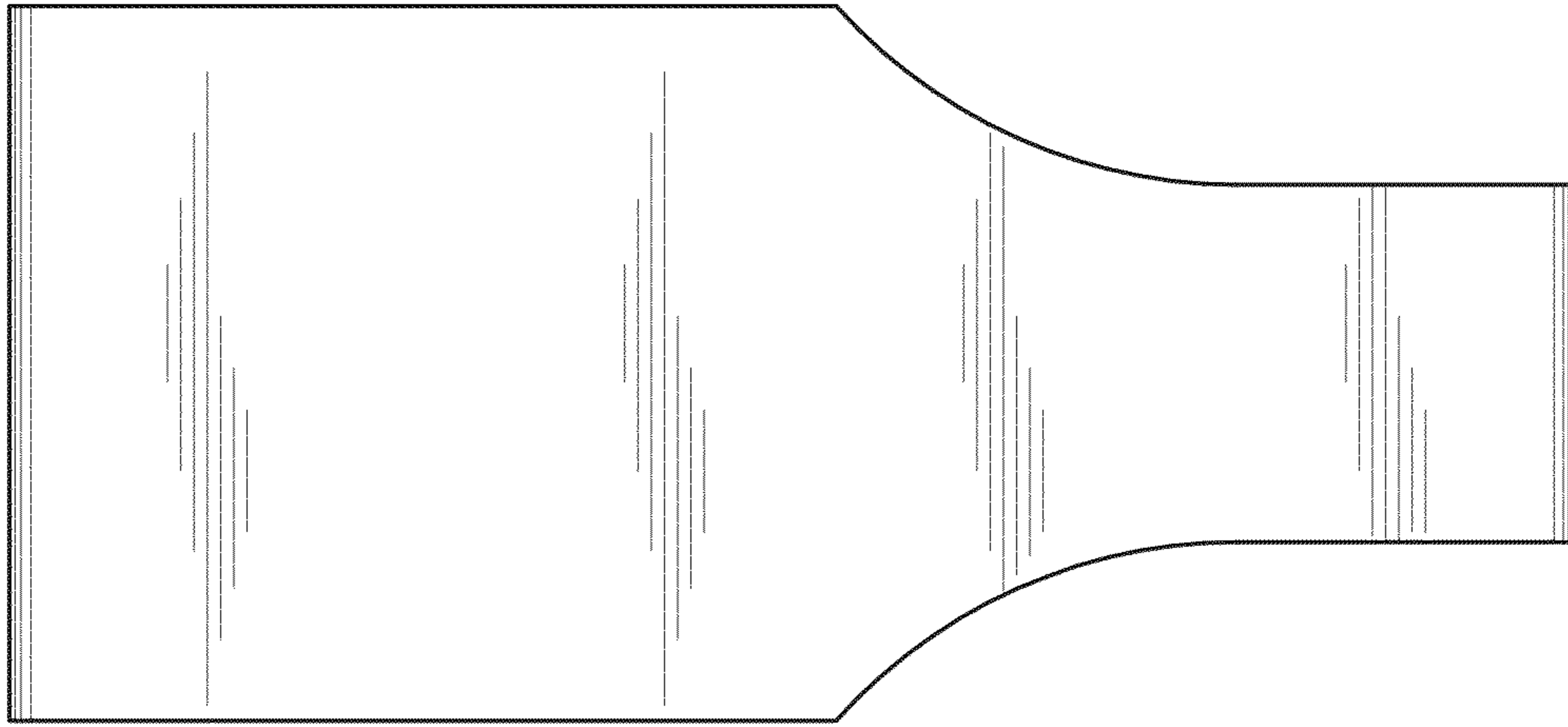


FIG. 2

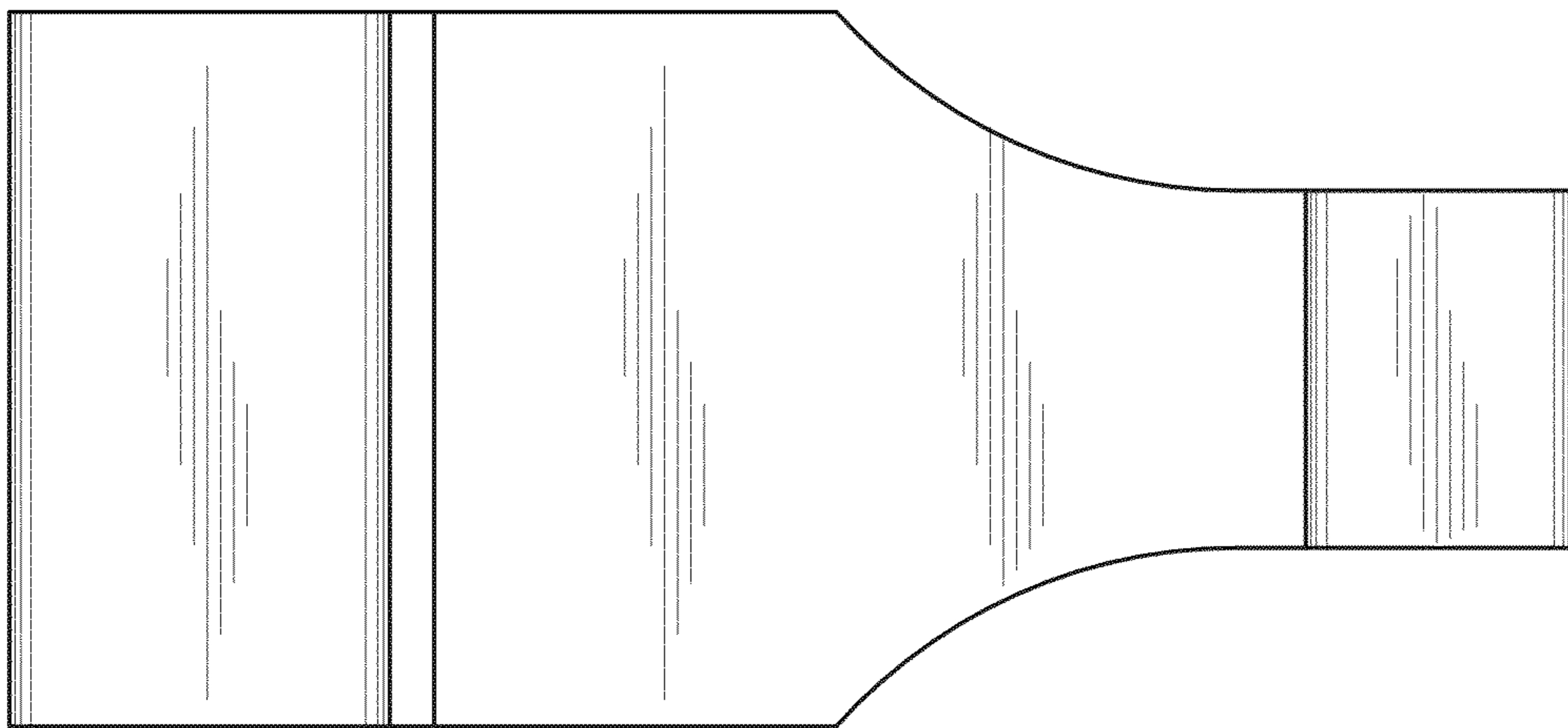


FIG. 3

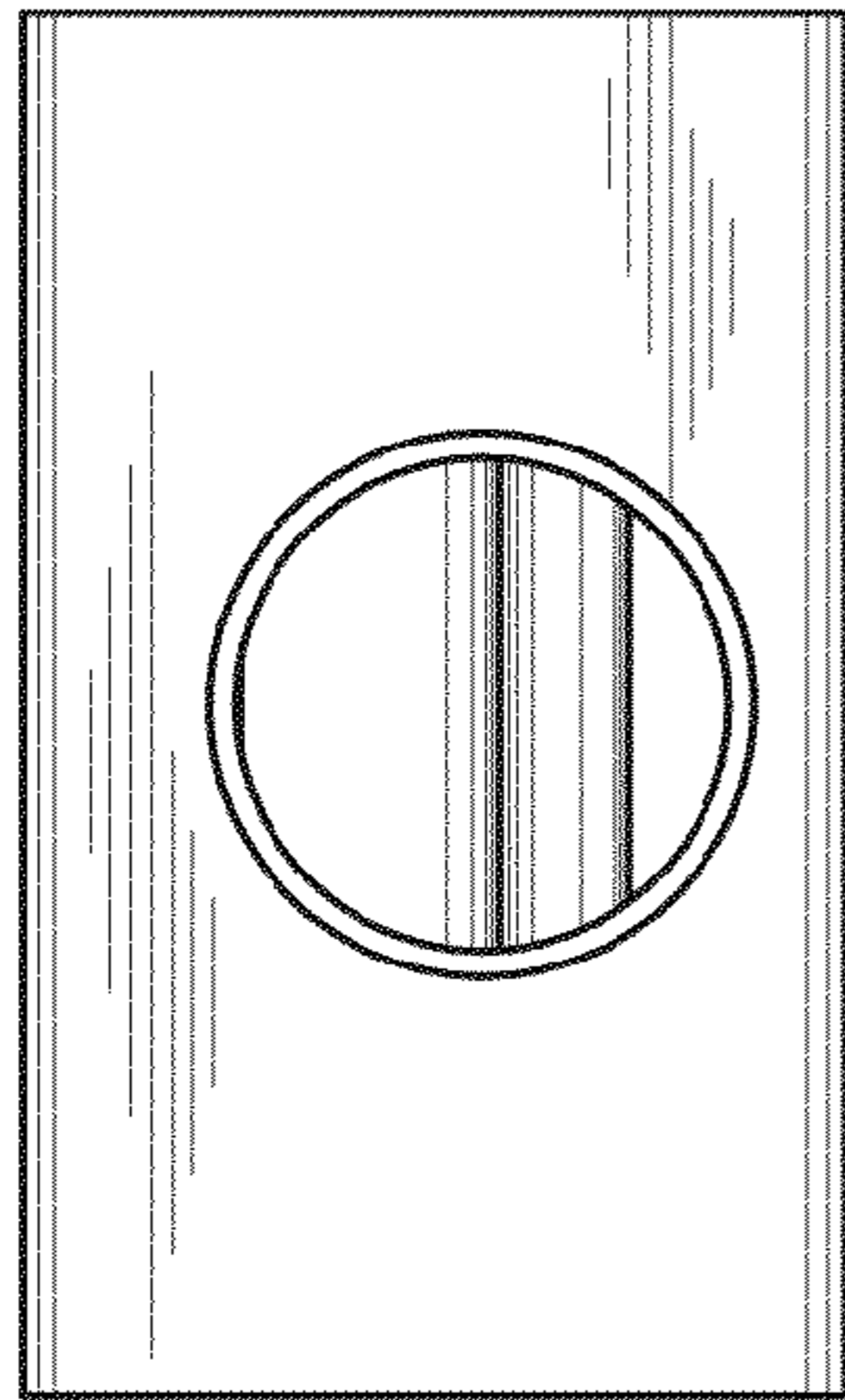


FIG. 4

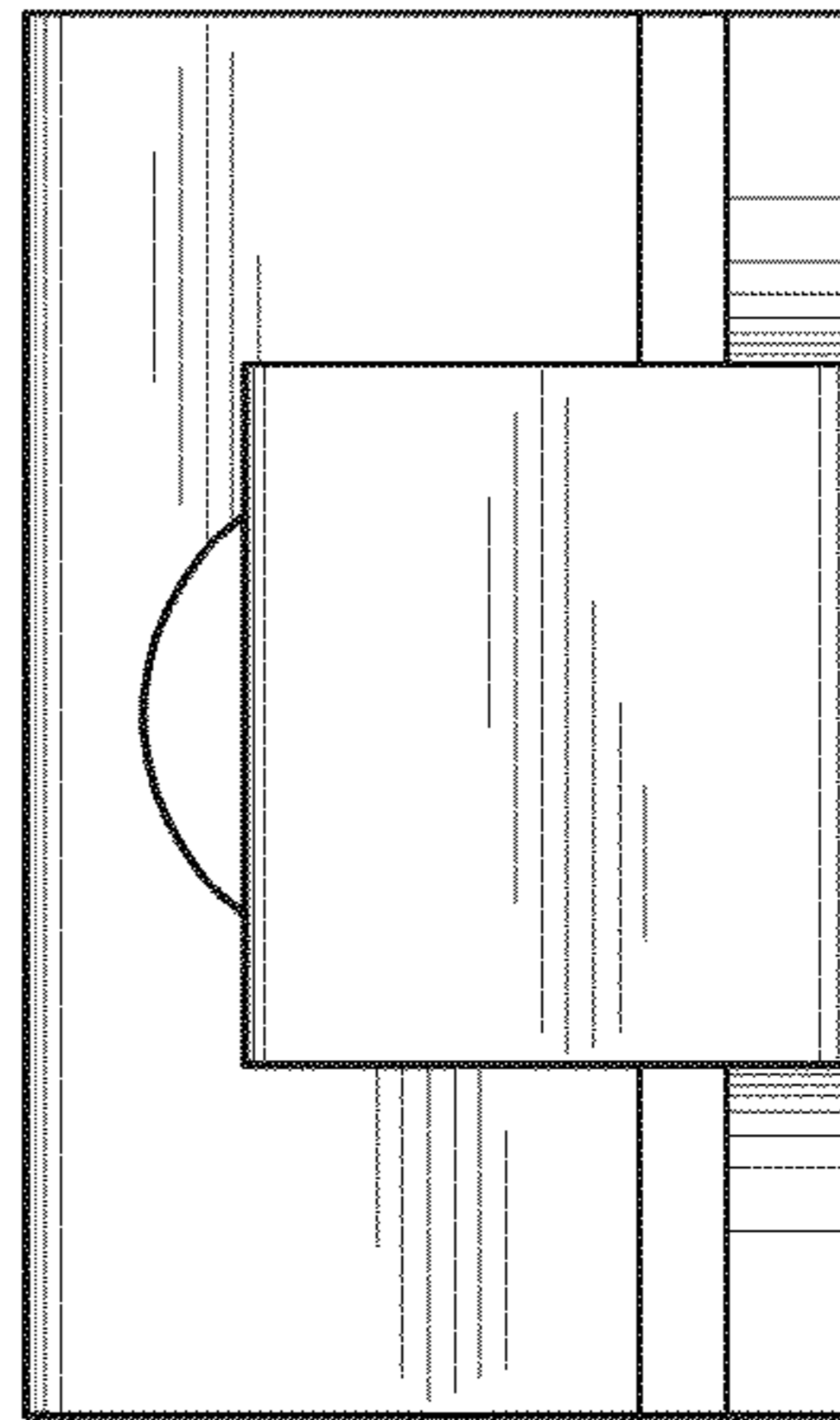


FIG. 5

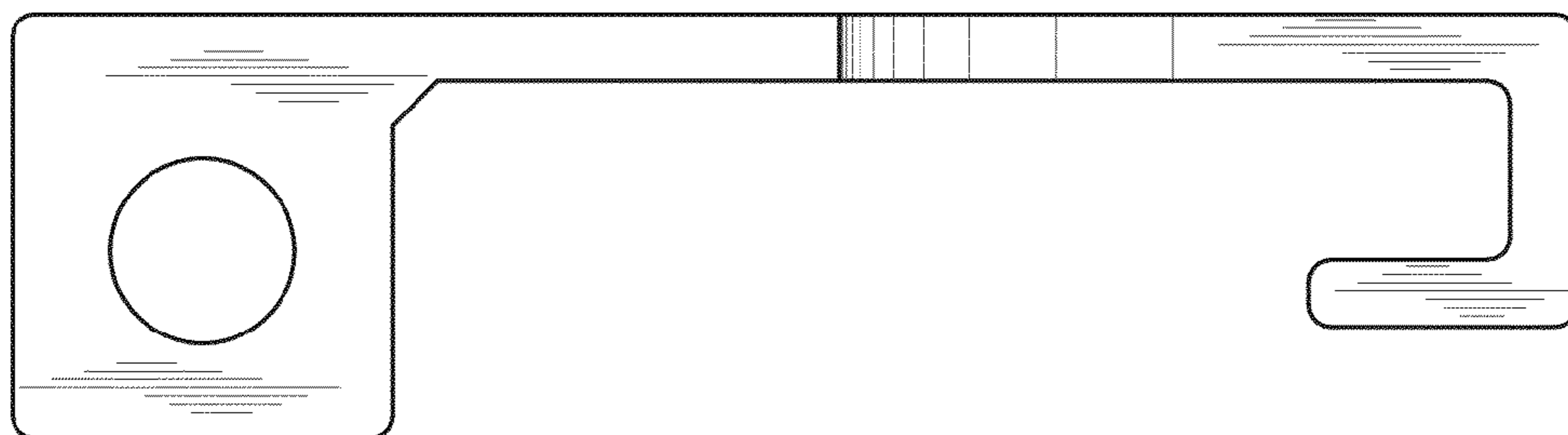


FIG. 6



FIG. 7