



US00D726525S

(12) **United States Design Patent**  
**Kenerly et al.**

(10) **Patent No.:** **US D726,525 S**  
(45) **Date of Patent:** **\*\* Apr. 14, 2015**

(54) **DOOR HINGE**

(71) Applicants: **Kedrick Dean Kenerly**, Hoschton, GA  
(US); **Wayne Robert Thomas**,  
Jefferson, GA (US)

(72) Inventors: **Kedrick Dean Kenerly**, Hoschton, GA  
(US); **Wayne Robert Thomas**,  
Jefferson, GA (US)

(\*\*) Term: **14 Years**

(21) Appl. No.: **29/435,847**

(22) Filed: **Oct. 29, 2012**

(51) **LOC (10) Cl.** ..... **08-06**

(52) **U.S. Cl.**  
USPC ..... **D8/328**

(58) **Field of Classification Search**  
USPC ..... D8/323, 327, 328; D23/303; 4/236,  
4/240; 16/225, 250, 682, 309, 235, 275,  
16/244, 379, 390, 430, 241, 238, 245, 236,  
16/243, 242, 385, 331  
See application file for complete search history.

(56) **References Cited**

**U.S. PATENT DOCUMENTS**

1,620,701	A *	3/1927	Teich	16/339
2,488,688	A *	11/1949	Simmons	16/353
2,803,850	A *	8/1957	Hooper	16/341
3,965,533	A *	6/1976	Frohlich	16/300
5,173,993	A *	12/1992	Baker	16/329
D376,971	S *	12/1996	Schutz	D8/327
5,765,263	A *	6/1998	Bolinas et al.	16/342
6,212,734	B1 *	4/2001	Commons	16/244
6,353,967	B1 *	3/2002	Escobar et al.	16/331

7,162,774	B1 *	1/2007	Von Resch et al.	16/236
7,328,480	B2 *	2/2008	Schoemann	16/225
D584,130	S *	1/2009	Bertani	D8/328
7,676,887	B2 *	3/2010	Chung	16/236
D622,576	S *	8/2010	Farkas et al.	D8/328
7,861,374	B2 *	1/2011	Verdicchio	16/225
D636,251	S *	4/2011	Herglotz et al.	D8/328
D644,499	S *	9/2011	Herglotz et al.	D8/327
8,307,513	B1 *	11/2012	Fitzgerald	16/386
8,707,518	B2 *	4/2014	Branning	16/273
2013/0104341	A1 *	5/2013	Kenerly et al.	16/273

\* cited by examiner

*Primary Examiner* — Cynthia Underwood

(74) *Attorney, Agent, or Firm* — Crose Law LLC; Bradley D. Crose

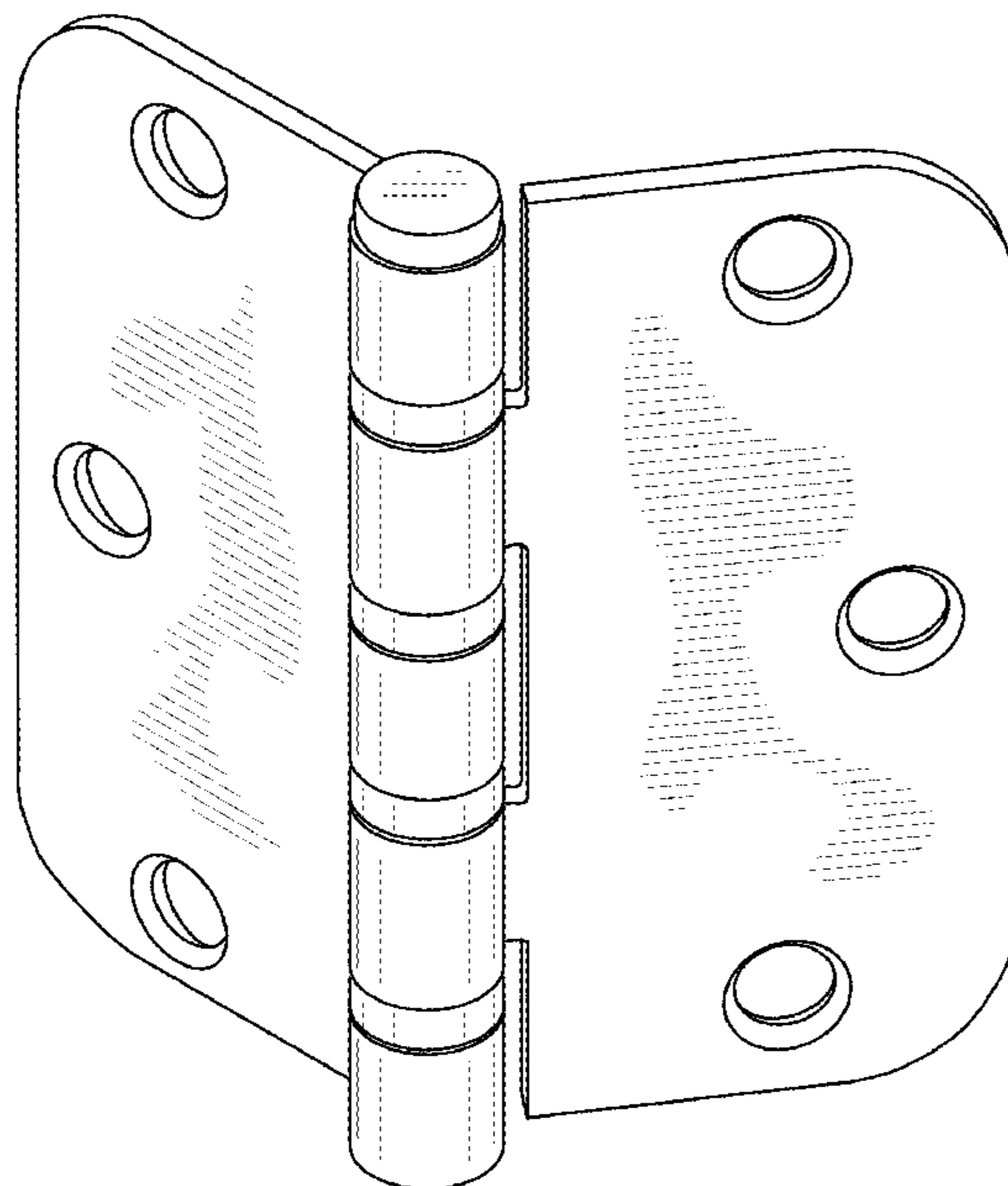
(57) **CLAIM**

The ornamental design for a door hinge, as shown and described.

**DESCRIPTION**

FIG. 1 is a front elevational view of a door hinge, showing our new design;  
FIG. 2 is a front plan view thereof;  
FIG. 3 is a rear plan view thereof;  
FIG. 4 is a top plan view thereof;  
FIG. 5 is a bottom plan view thereof;  
FIG. 6 is a left side plan view thereof; and,  
FIG. 7 is a right side plan view thereof.  
The broken lines shown in the drawings are included for the purpose of illustrating environmental structure and form no part of the claimed design.  
A device for connecting two solid objects, e.g. a door to a door frame.

**1 Claim, 5 Drawing Sheets**



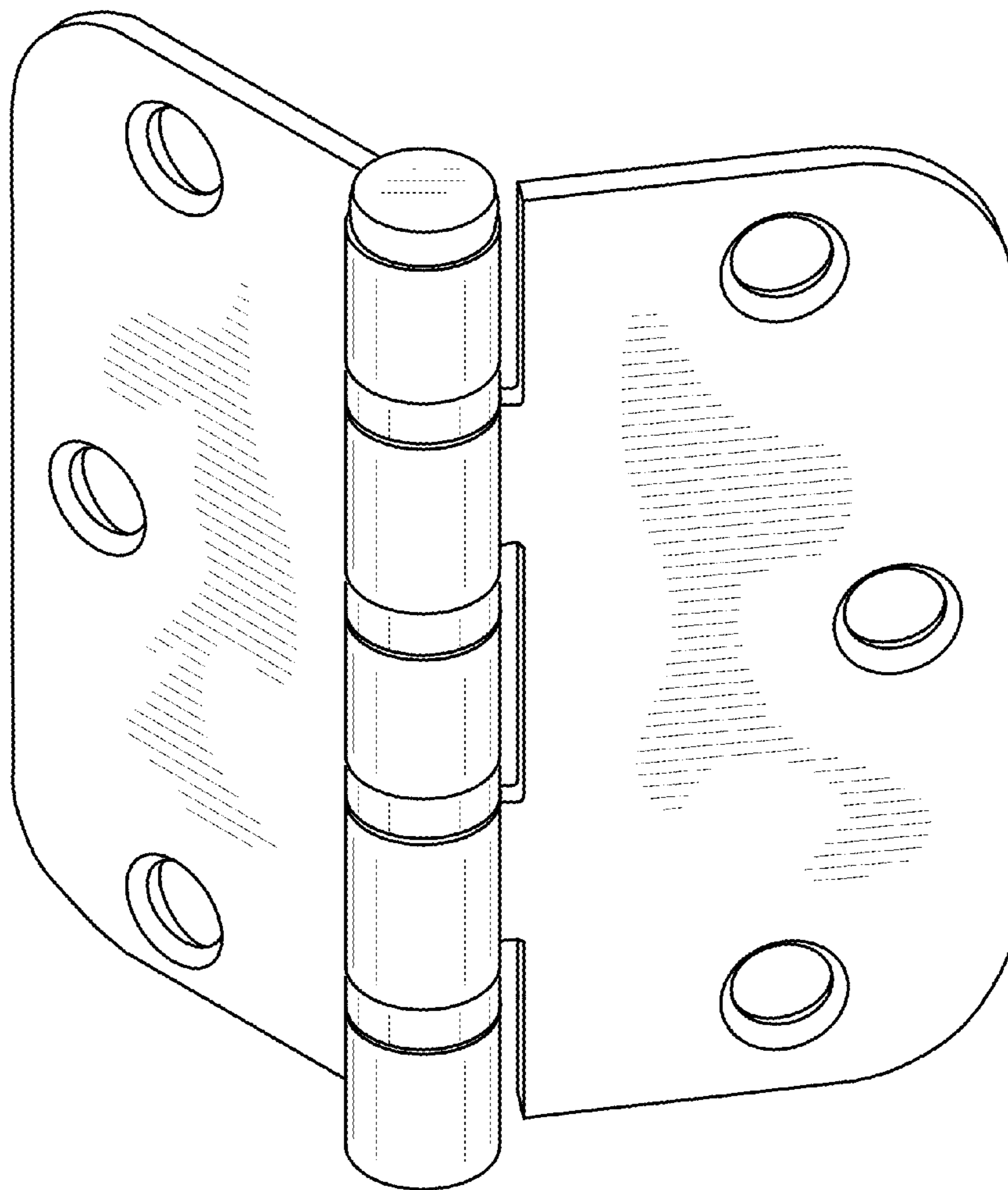


FIG. 1

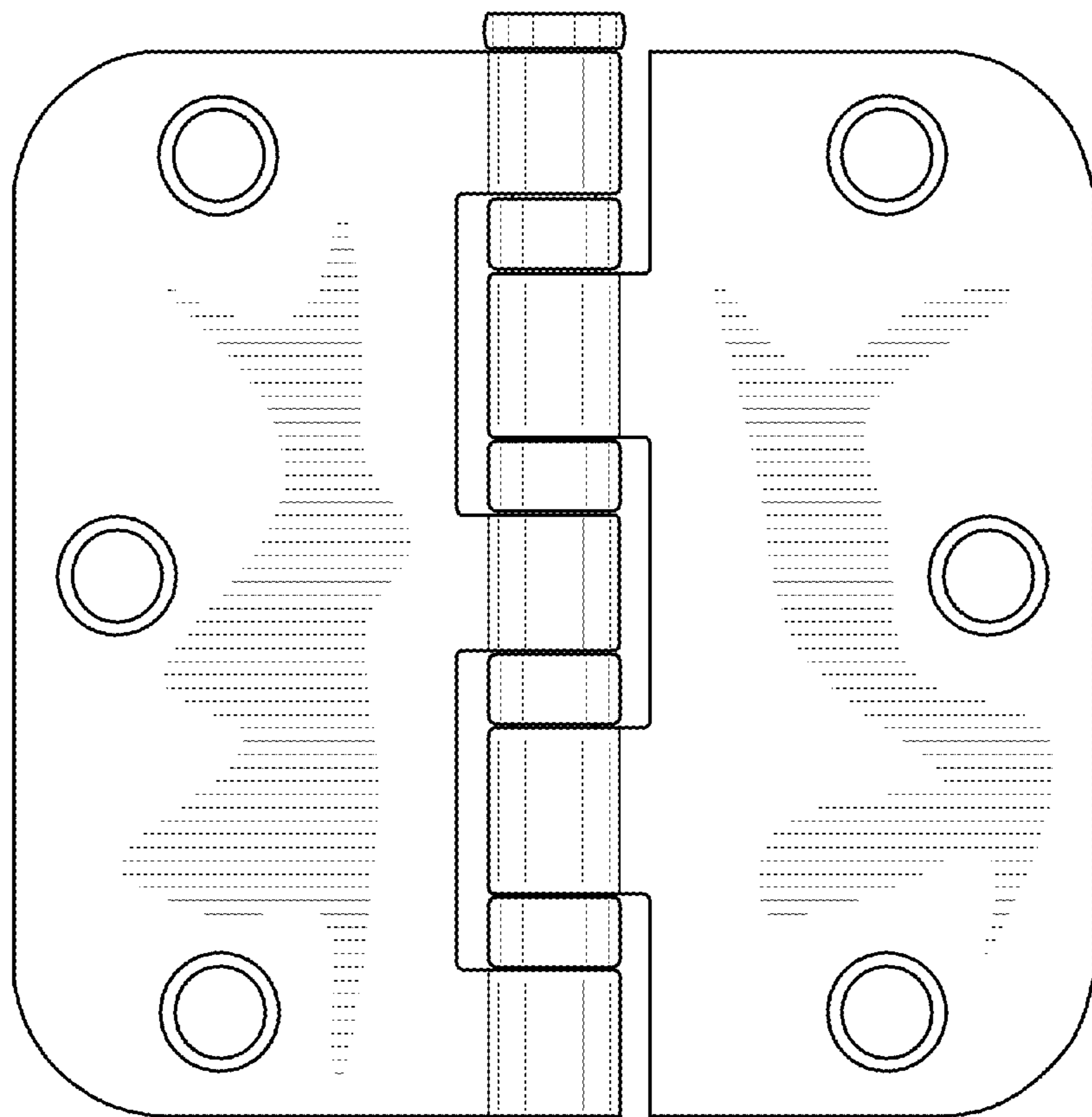


FIG. 2

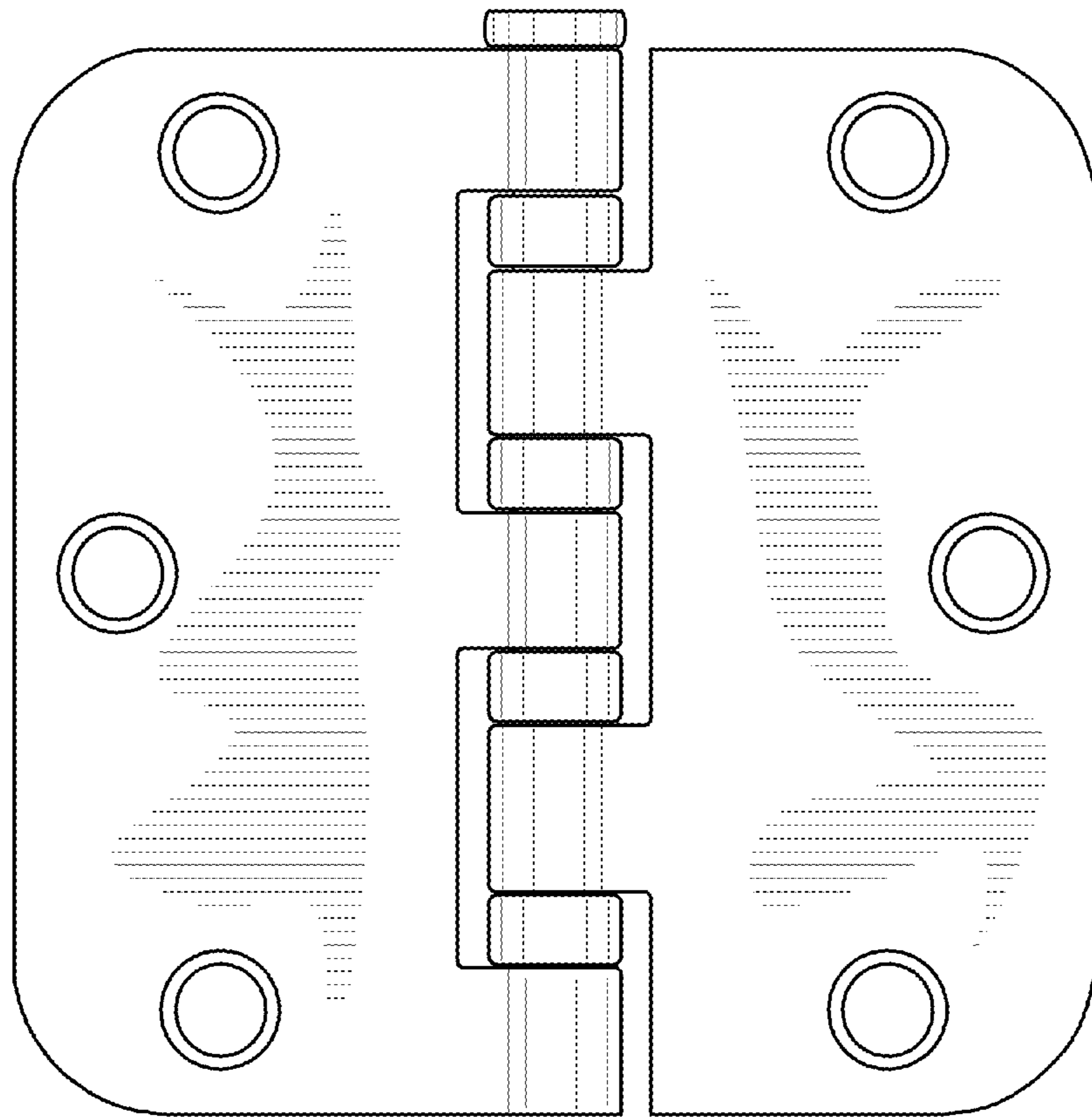


FIG. 3

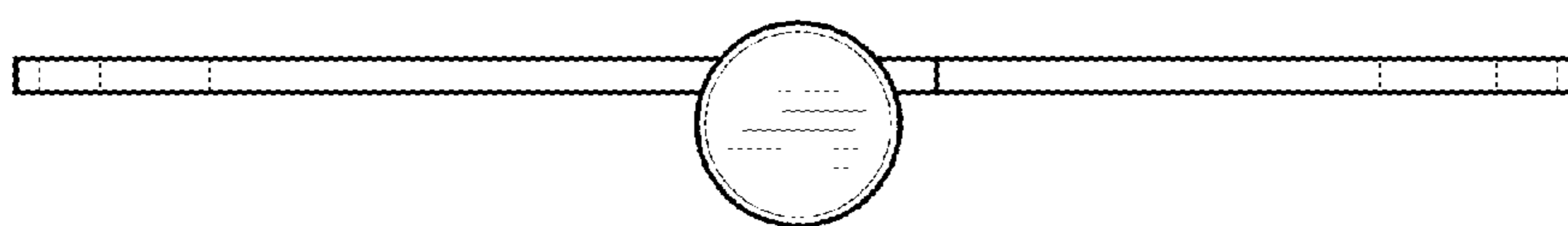


FIG. 4

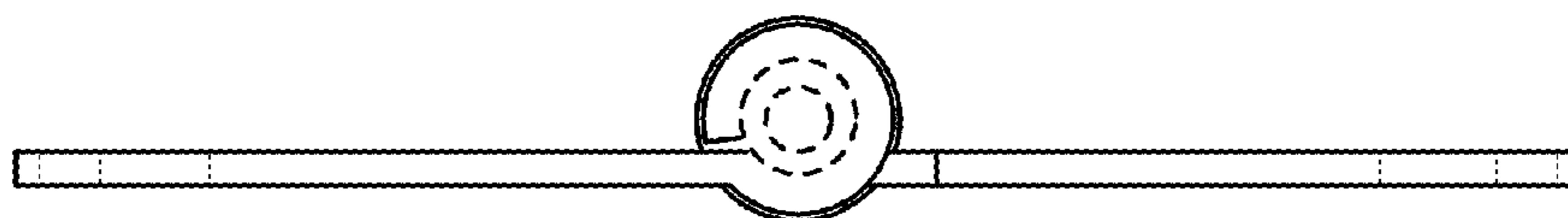


FIG. 5

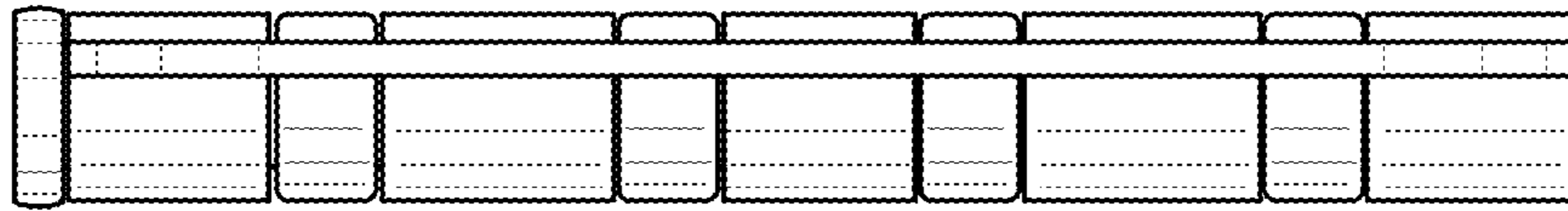


FIG. 7

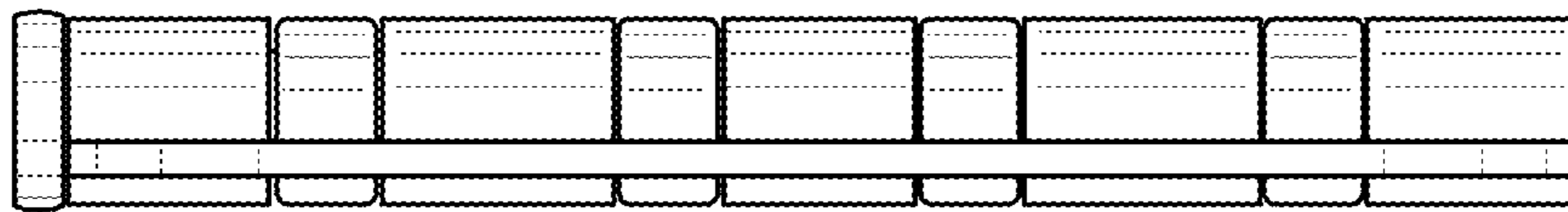


FIG. 6