



US00D726524S

(12) **United States Design Patent**
Börjesson

(10) **Patent No.:** **US D726,524 S**

(45) **Date of Patent:** **** Apr. 14, 2015**

(54) **KNOB FOR AN APPLIANCE**

(71) Applicant: **Electrolux Home Products Corporation N.V., Brussels (BE)**

(72) Inventor: **Per Börjesson, Porcia (IT)**

(73) Assignee: **Electrolux Home Products Corporation N.V., Brussels (BE)**

(**) Term: **14 Years**

(21) Appl. No.: **29/434,335**

(22) Filed: **Oct. 11, 2012**

(30) **Foreign Application Priority Data**

Apr. 11, 2012 (EM) 002023473

(51) **LOC (10) Cl.** **08-06**

(52) **U.S. Cl.**
USPC **D8/311**

(58) **Field of Classification Search**
USPC D8/300-303, 305-312, 321, DIG. 2,
D8/DIG. 1; D7/402, 405, 393; 74/553, 548,
74/558.5; 116/309, 315, 311, 312, 319,
116/320; 200/316, 336; 345/156; 16/441,
16/110 R, 114 R, 121, 118, 414; 292/413,
292/263

See application file for complete search history.

(56) **References Cited**

U.S. PATENT DOCUMENTS

D400,778 S * 11/1998 Holbrook, Jr. D8/311
D443,496 S * 6/2001 DeCosse D8/300

D498,657 S * 11/2004 Milrud et al. D8/311
D511,669 S * 11/2005 Miller D8/300
D525,517 S * 7/2006 Baldwin D8/310
D525,518 S * 7/2006 Baldwin D8/310
D567,060 S * 4/2008 Busalt et al. D8/310
D573,000 S * 7/2008 Martin et al. D8/311
D577,983 S * 10/2008 Martin et al. D8/311
D612,704 S * 3/2010 Funnell et al. D8/310
D612,705 S * 3/2010 Baker et al. D8/311
D619,873 S * 7/2010 Bhattacharya D8/311
D619,874 S * 7/2010 Bhattacharya D8/311
D620,778 S * 8/2010 Bixby et al. D8/311
D628,457 S * 12/2010 Bengtson D8/311
D644,912 S * 9/2011 Benold D8/311
D668,928 S * 10/2012 Butan et al. D8/312
D704,028 S * 5/2014 Meda et al. D8/310

* cited by examiner

Primary Examiner — Mark Goodwin

(74) *Attorney, Agent, or Firm* — Banner & Witcoff, Ltd.

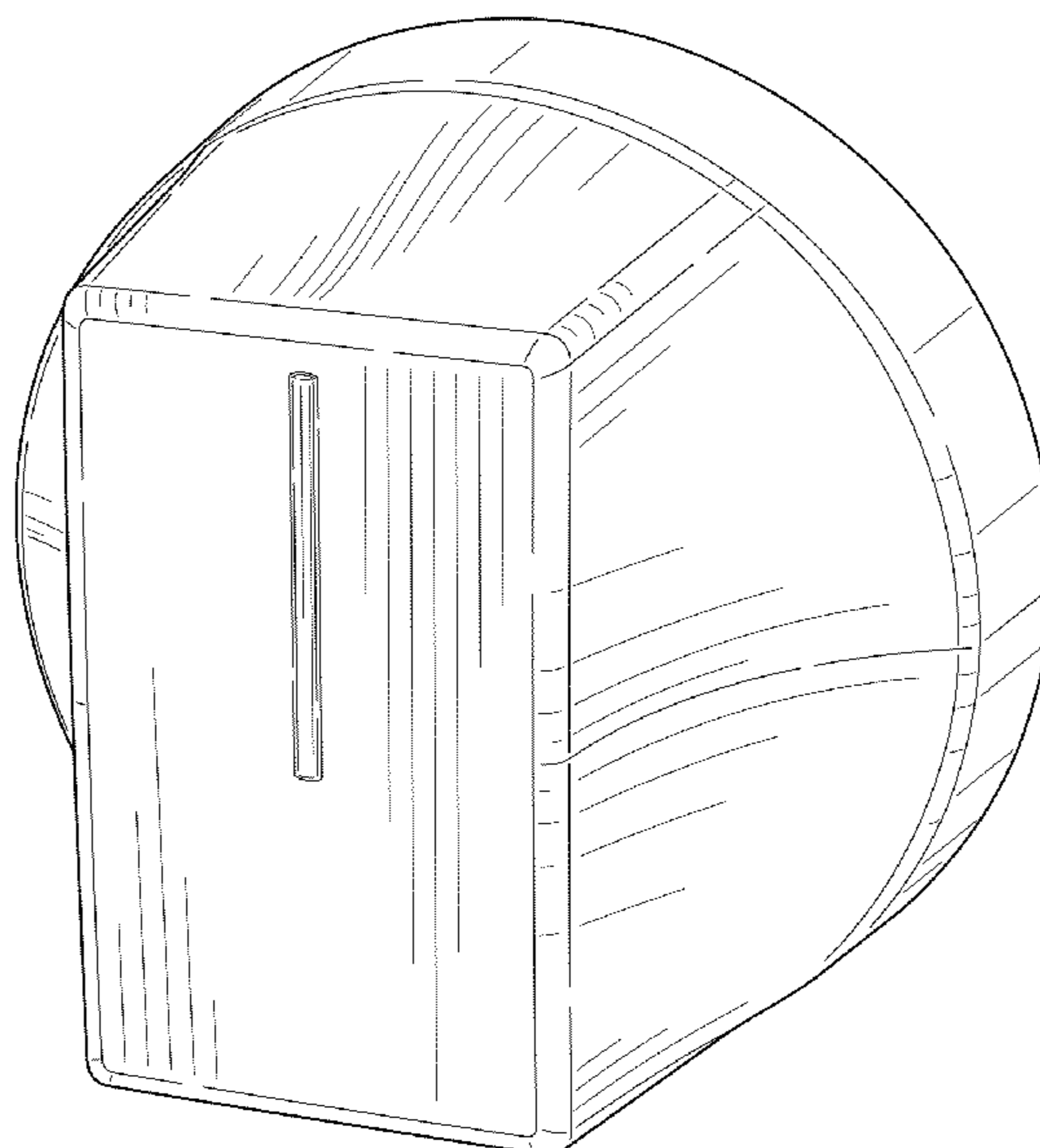
(57) **CLAIM**

The ornamental design for a knob for an appliance, as shown and described.

DESCRIPTION

FIG. 1 is a perspective view of a knob for an appliance showing my new design;
FIG. 2 is a front view thereof;
FIG. 3 is a top view thereof;
FIG. 4 is a bottom view thereof;
FIG. 5 is a left side view thereof; and,
FIG. 6 is a right side view thereof.

1 Claim, 6 Drawing Sheets



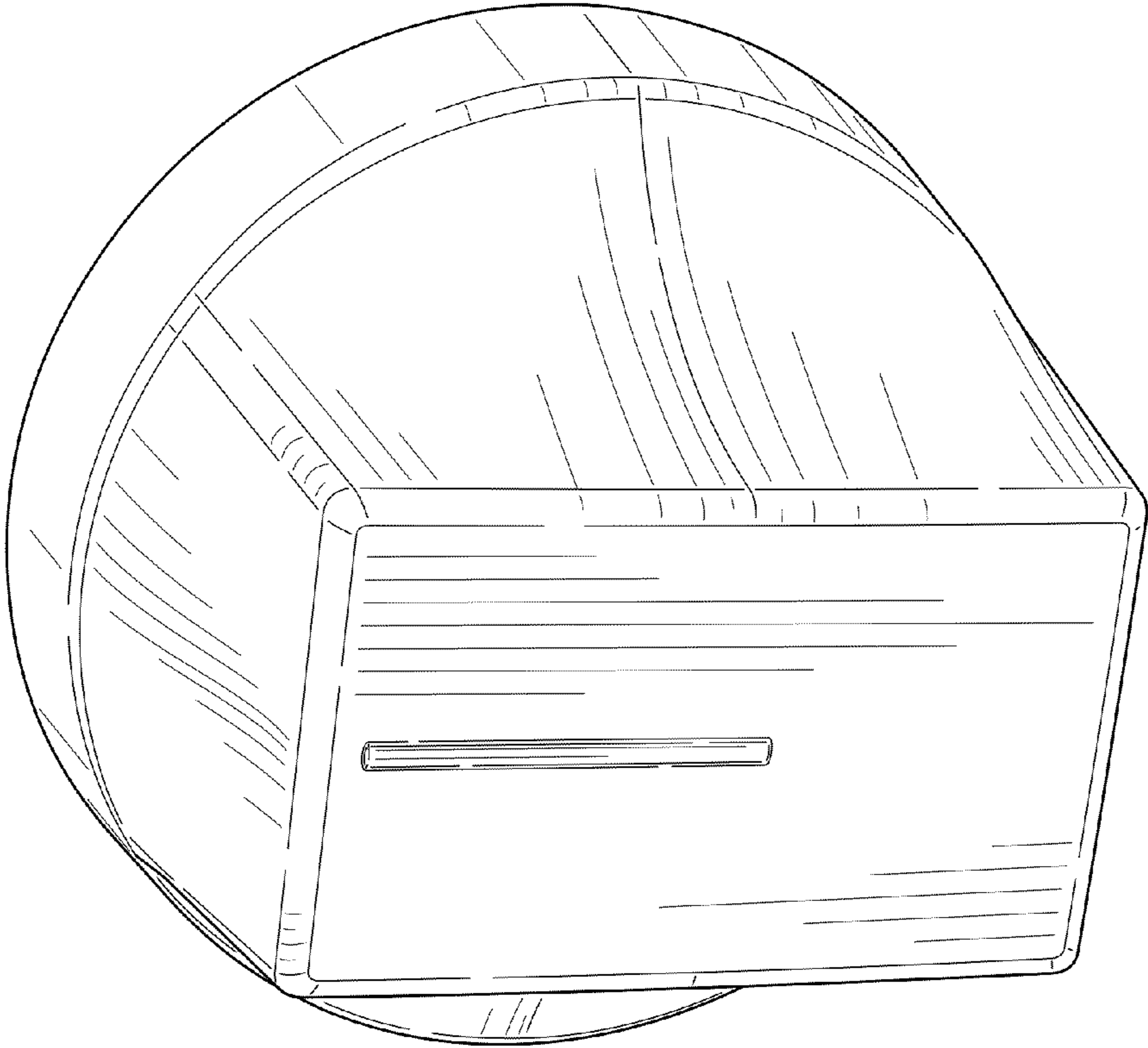


FIG. 1

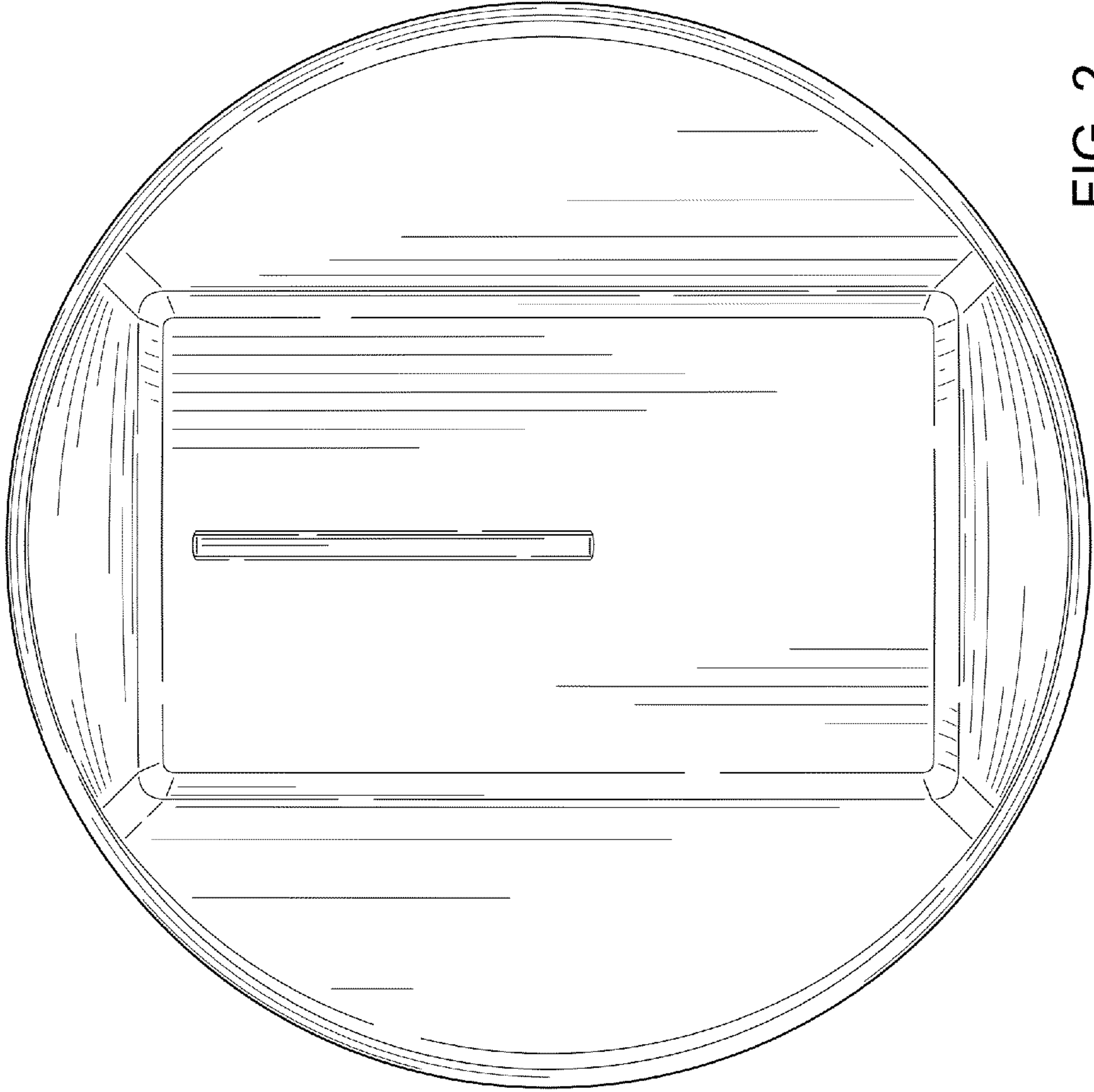


FIG. 2

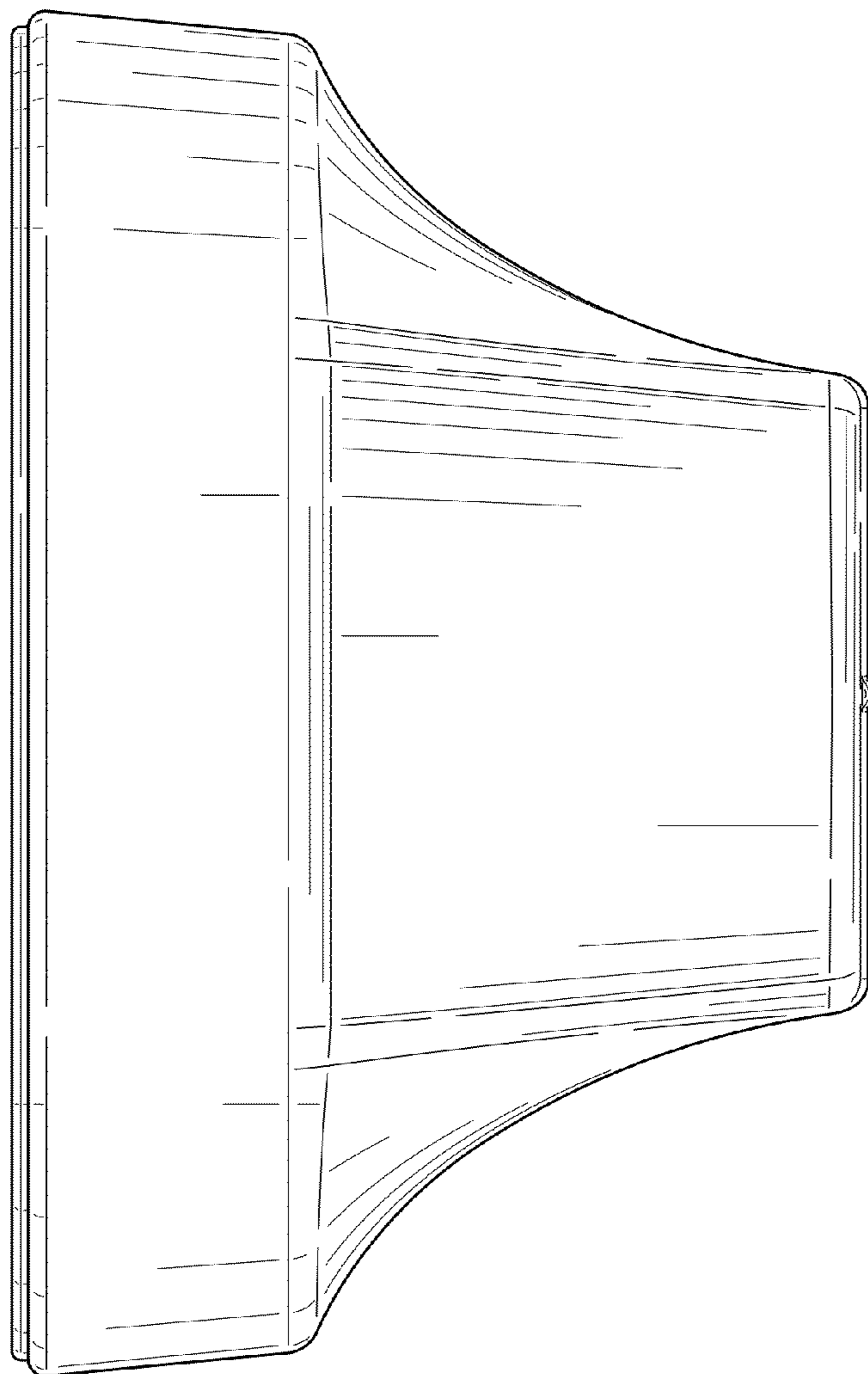


FIG. 3

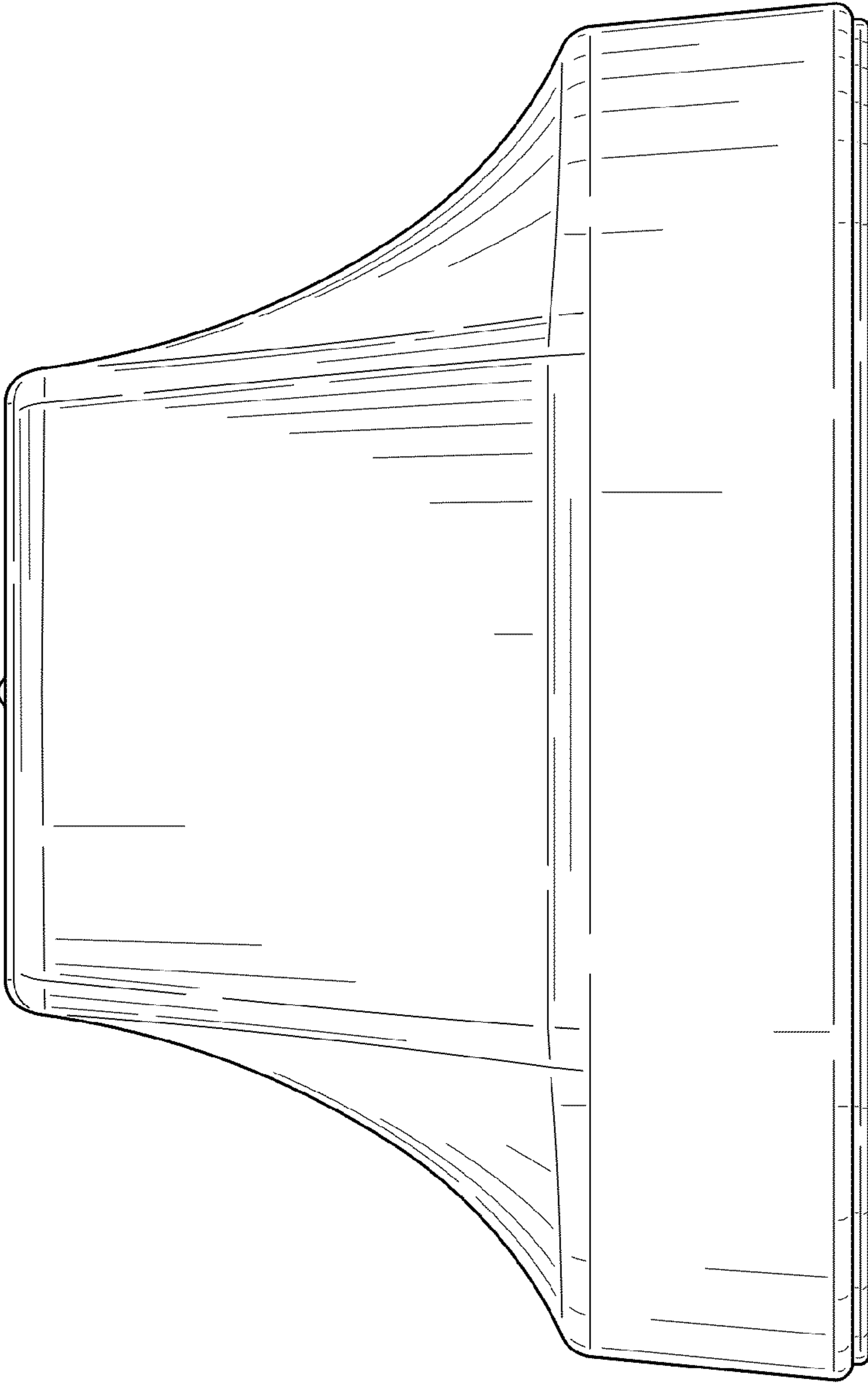


FIG. 4

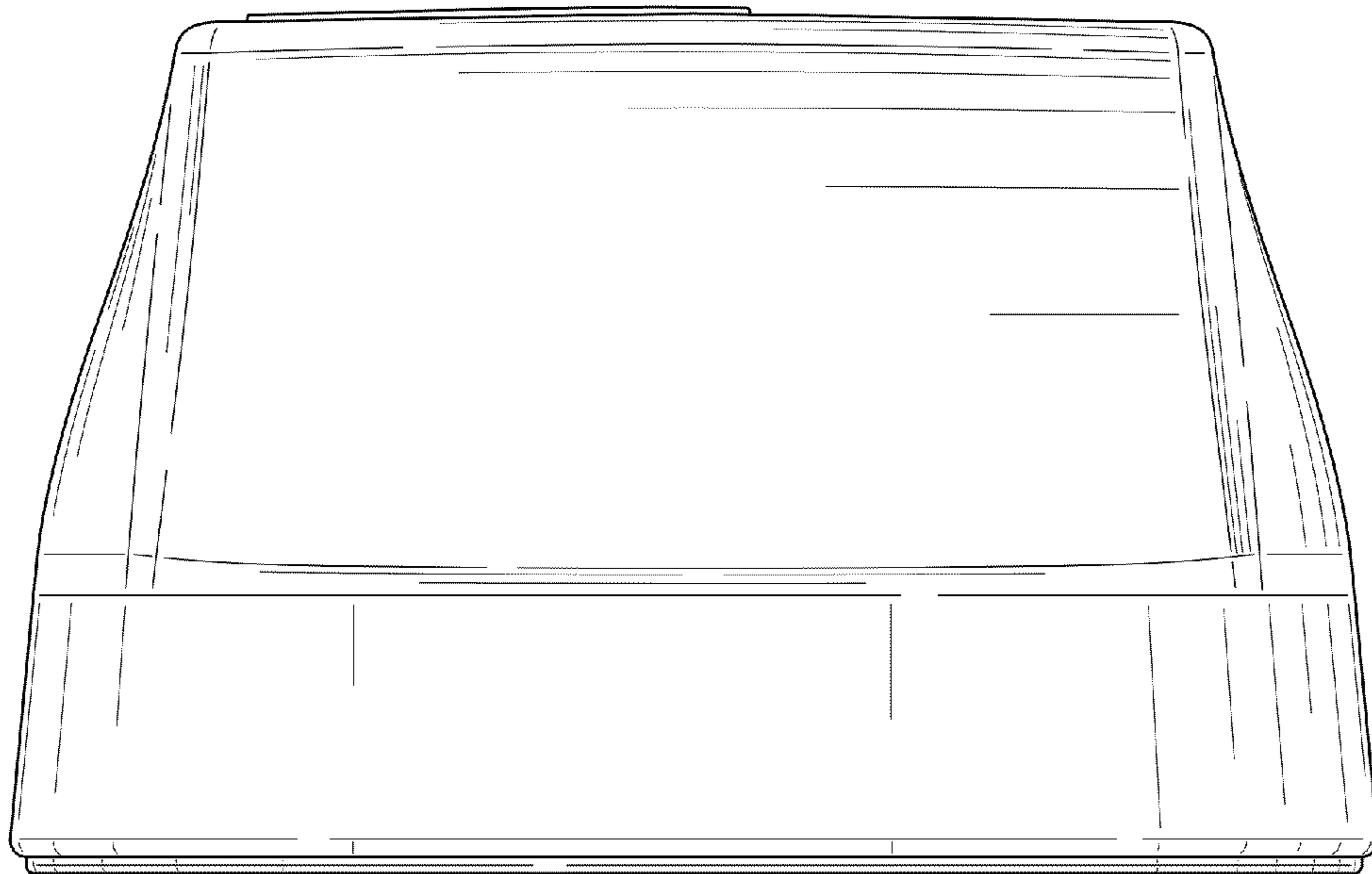


FIG. 5

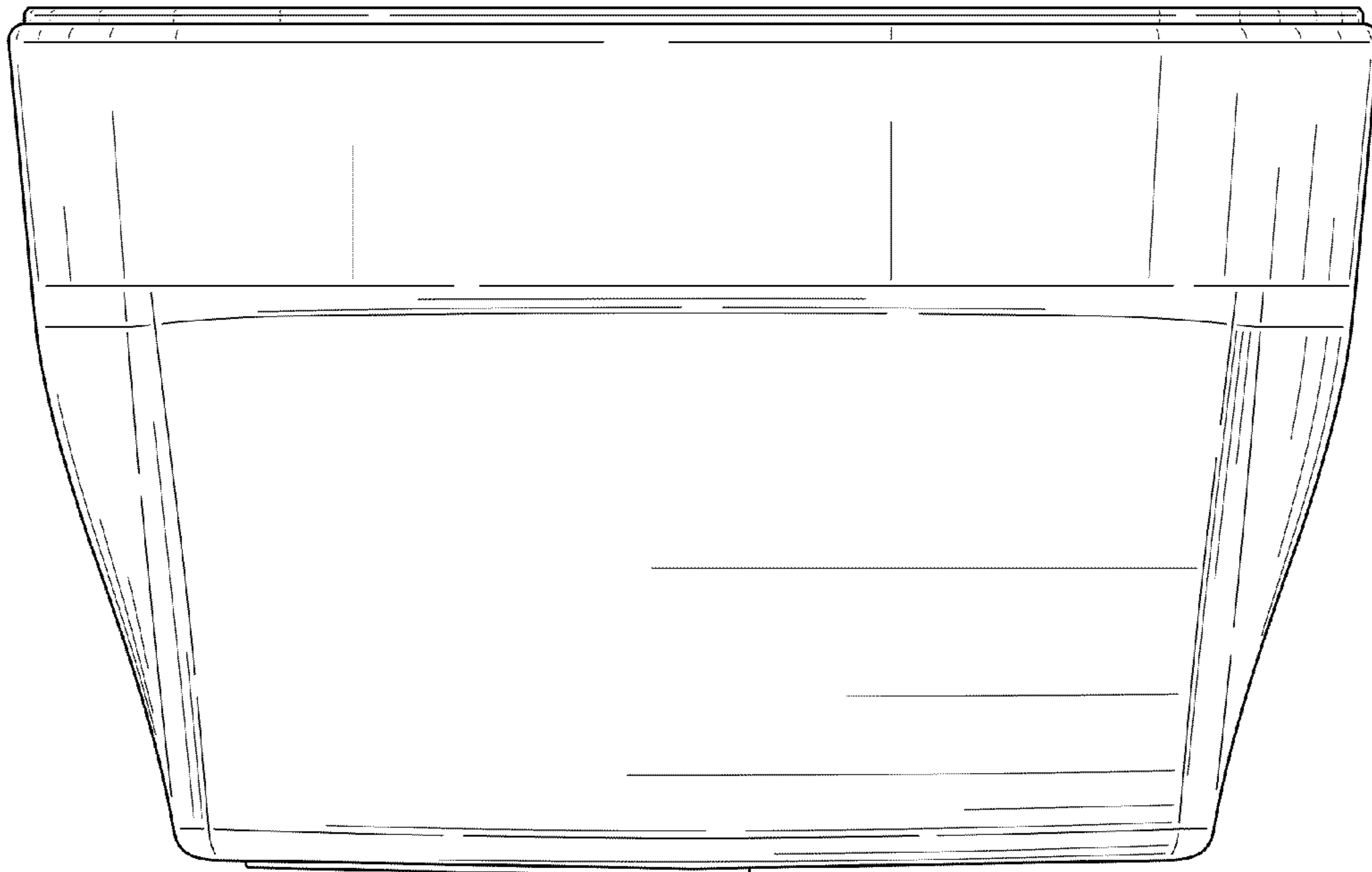


FIG. 6