



US00D726522S

(12) **United States Design Patent**
Wells

(10) **Patent No.:** **US D726,522 S**

(45) **Date of Patent:** **** Apr. 14, 2015**

(54) **MULTI-USE FIREFIGHTING TOOL**

(71) Applicant: **Ryan Wells**, Saratoga, WY (US)

(72) Inventor: **Ryan Wells**, Saratoga, WY (US)

(73) Assignee: **On Scene Solutions, LLC**, Ft. Collins, CO (US)

(**) Term: **14 Years**

(21) Appl. No.: **29/460,172**

(22) Filed: **Jul. 9, 2013**

(51) **LOC (10) Cl.** **08-05**

(52) **U.S. Cl.**
USPC **D8/88; D8/14**

(58) **Field of Classification Search**
CPC A01B 1/222; A62B 3/005; A62C 8/00;
B23D 61/121; B23D 61/123; D25D 1/00;
B25F 1/00; B25G 1/00; B25G 1/04; B26B
23/00; B66F 15/00
USPC D8/13-14, 47, 79, 81, 88-89, 105;
D22/117; 7/166; 29/254; 254/25,
254/131-131.5

See application file for complete search history.

(56) **References Cited**

U.S. PATENT DOCUMENTS

1,749,103	A *	3/1930	Kortick	403/247
1,884,990	A *	10/1932	Funke	403/199
3,705,430	A	12/1972	Ziaylek, Jr.		
5,095,623	A	3/1992	Williams		
6,367,107	B1 *	4/2002	Corsini	7/143
D591,578	S *	5/2009	Harpell	D8/89
D617,624	S *	6/2010	Tygh	D8/105
7,726,713	B2	6/2010	Oleksia		

7,774,882	B2 *	8/2010	Liou	7/166
7,845,254	B2	12/2010	Lionel		
7,900,538	B2 *	3/2011	Phillips et al.	81/20
D637,462	S *	5/2011	Glynn et al.	D8/14
D644,083	S *	8/2011	Dapkins et al.	D8/88
D655,142	S *	3/2012	Glynn et al.	D8/14
8,127,387	B2	3/2012	Tygh		
8,794,597	B1 *	8/2014	Ingesson et al.	254/131
2002/0134971	A1 *	9/2002	Christensen	254/25
2004/0261188	A1	12/2004	Mathis		
2009/0000097	A1 *	1/2009	Dapkins et al.	29/275
2010/0299843	A1 *	12/2010	Dapkins et al.	7/138

OTHER PUBLICATIONS

U.S. Appl. No. 14/066,275, filed Oct. 29, 2013, Wells.
"Product Catalog," on Scene Solutions, 2013, 5 pages.

* cited by examiner

Primary Examiner — Philip S Hyder
Assistant Examiner — Roselynn Cody
(74) *Attorney, Agent, or Firm* — Sheridan Ross P.C.

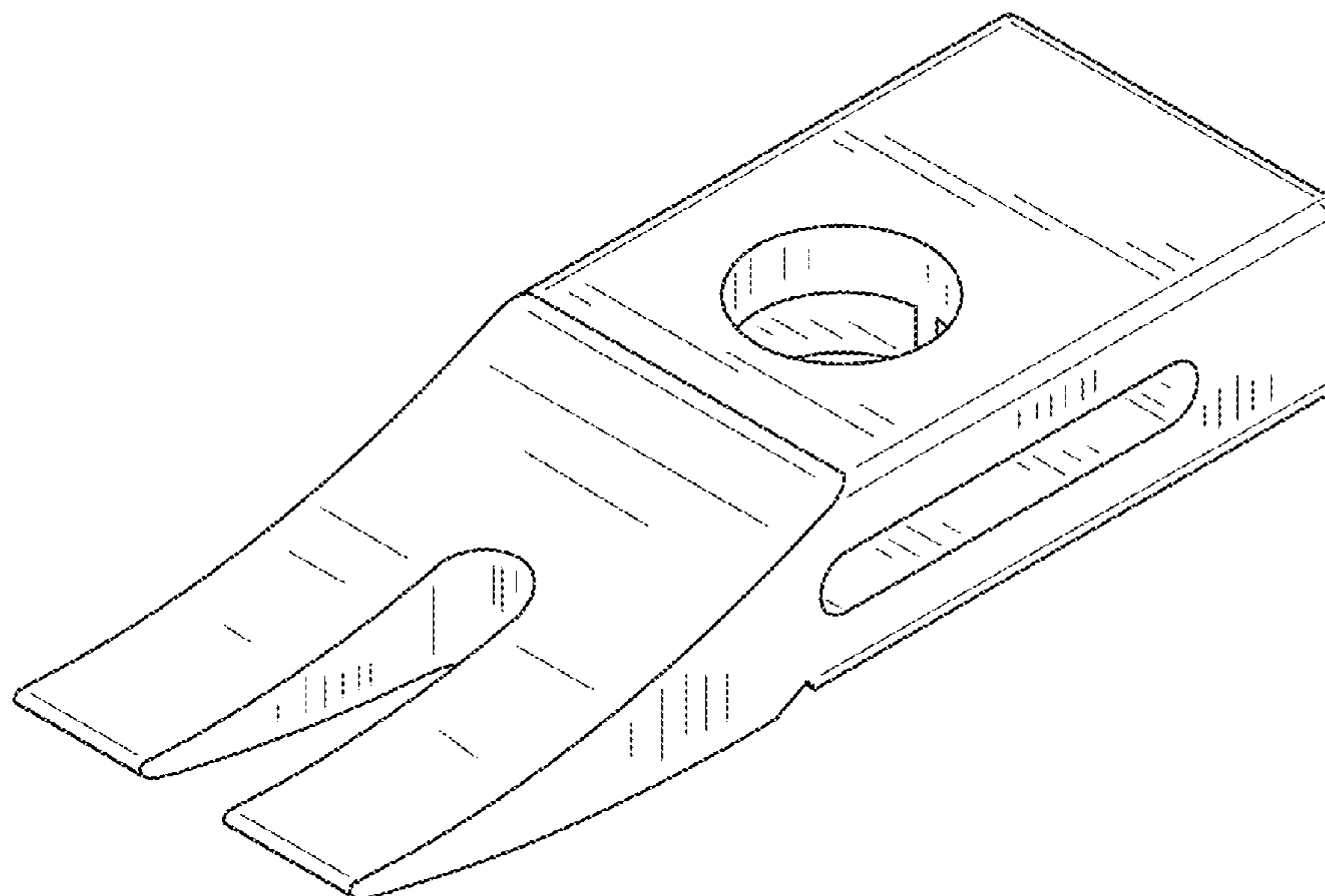
(57) **CLAIM**

The ornamental design for a multi-use firefighting tool, as shown and described.

DESCRIPTION

FIG. 1 is a front perspective view of the multi-use firefighting tool;
FIG. 2 is a front elevation view thereof;
FIG. 3 is a rear elevation view thereof;
FIG. 4 is a right elevation view thereof;
FIG. 5 is a left elevation view thereof;
FIG. 6 is a top plan view thereof; and,
FIG. 7 is a bottom plan view thereof.

1 Claim, 3 Drawing Sheets



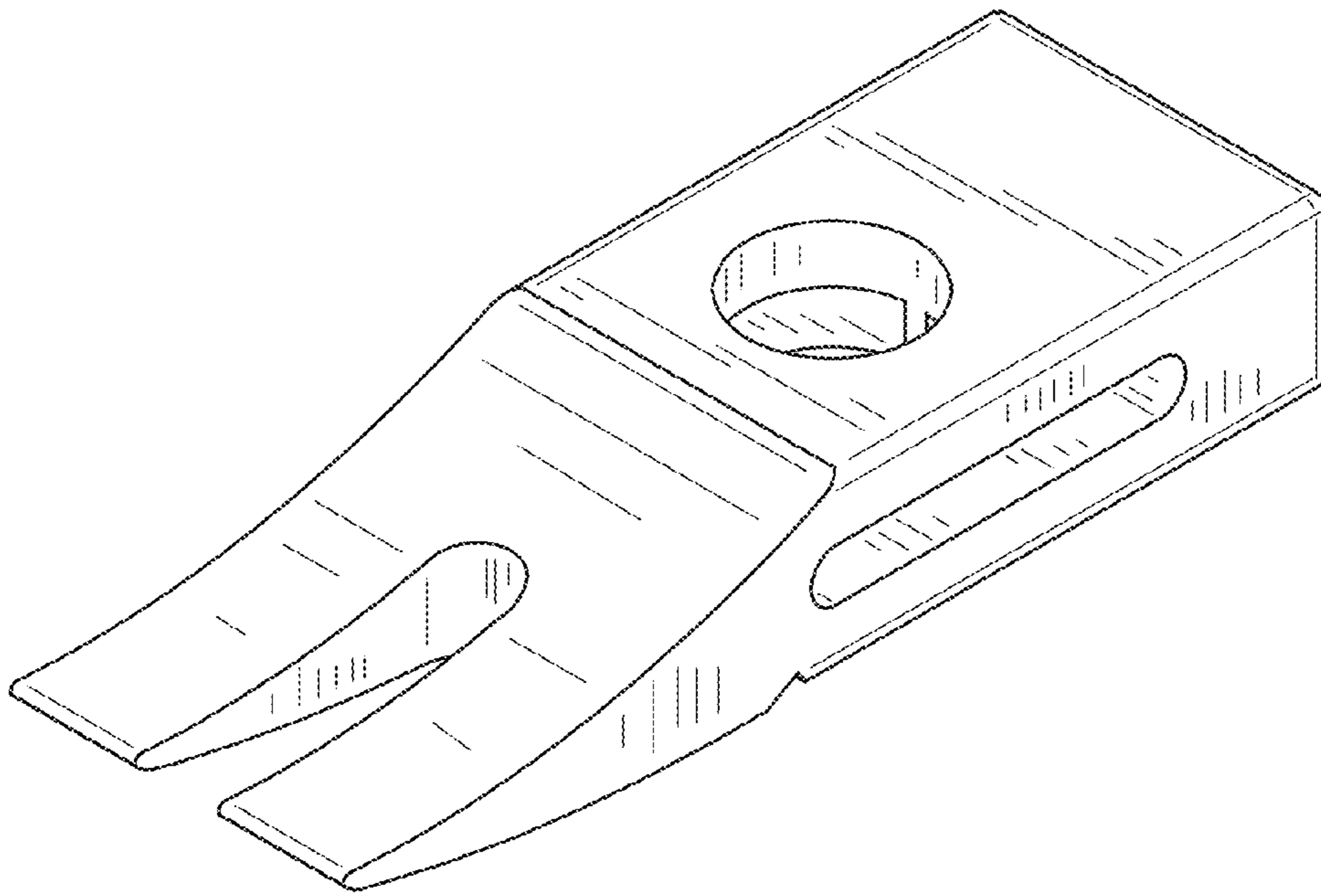


FIG.1

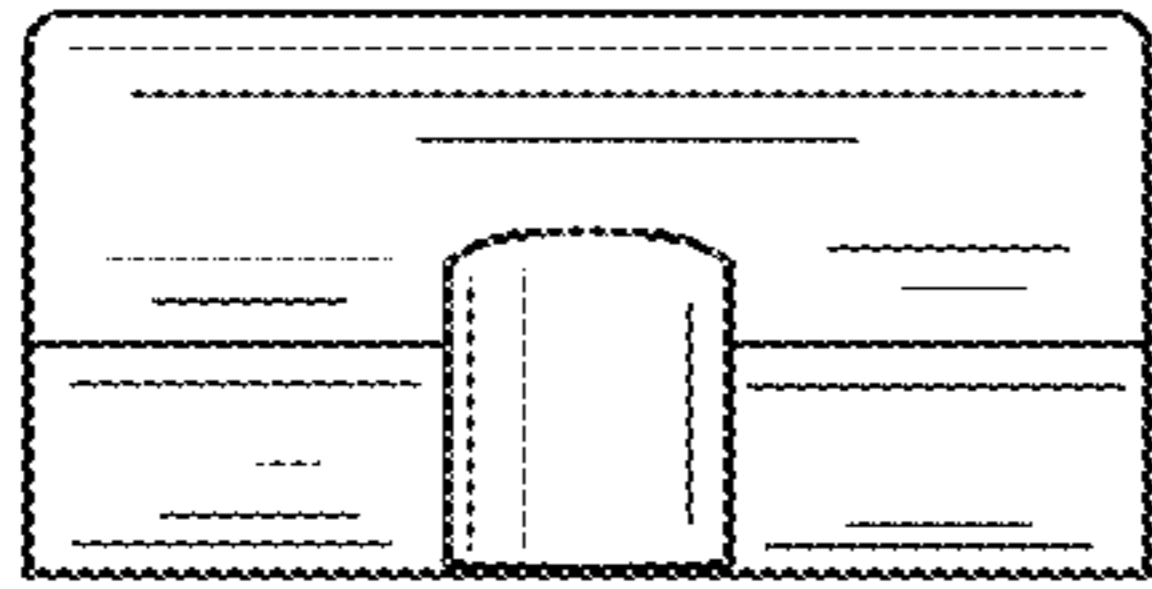


FIG. 2

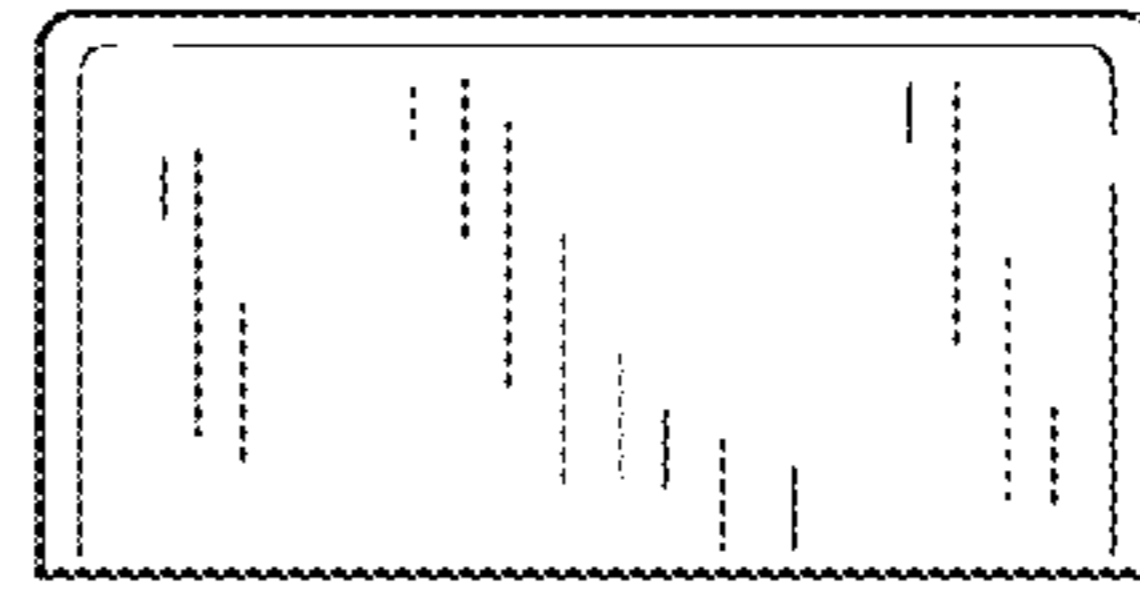


FIG. 3

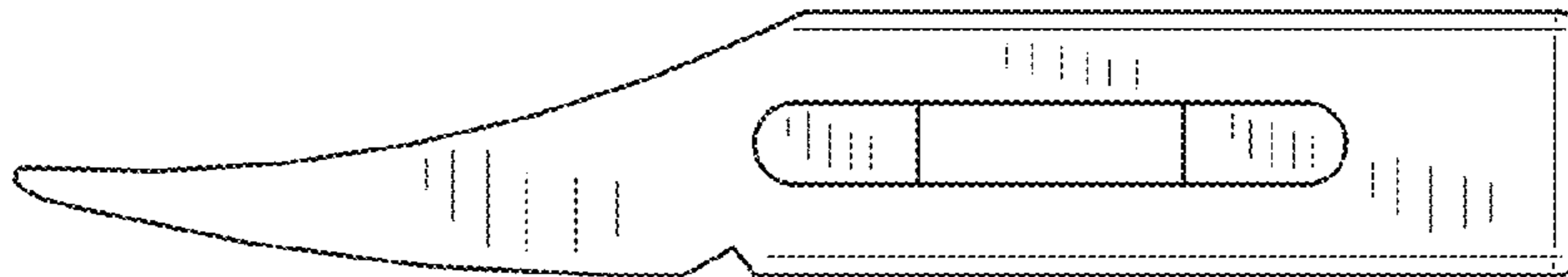


FIG. 4

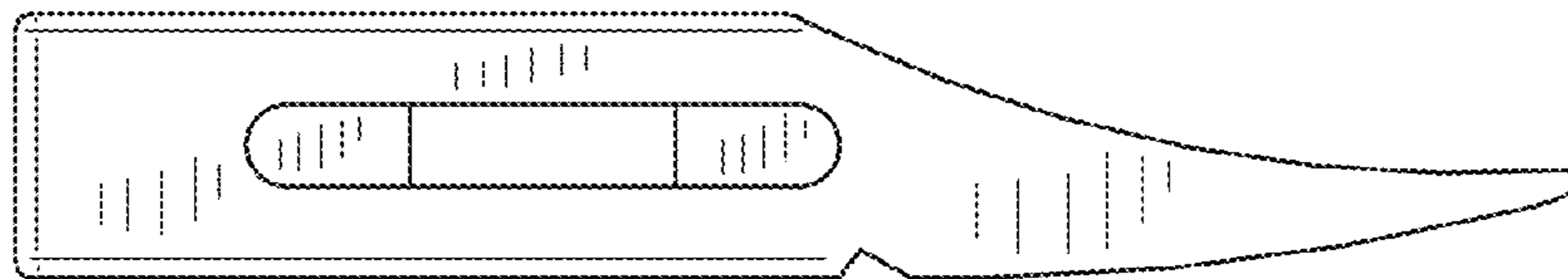


FIG. 5

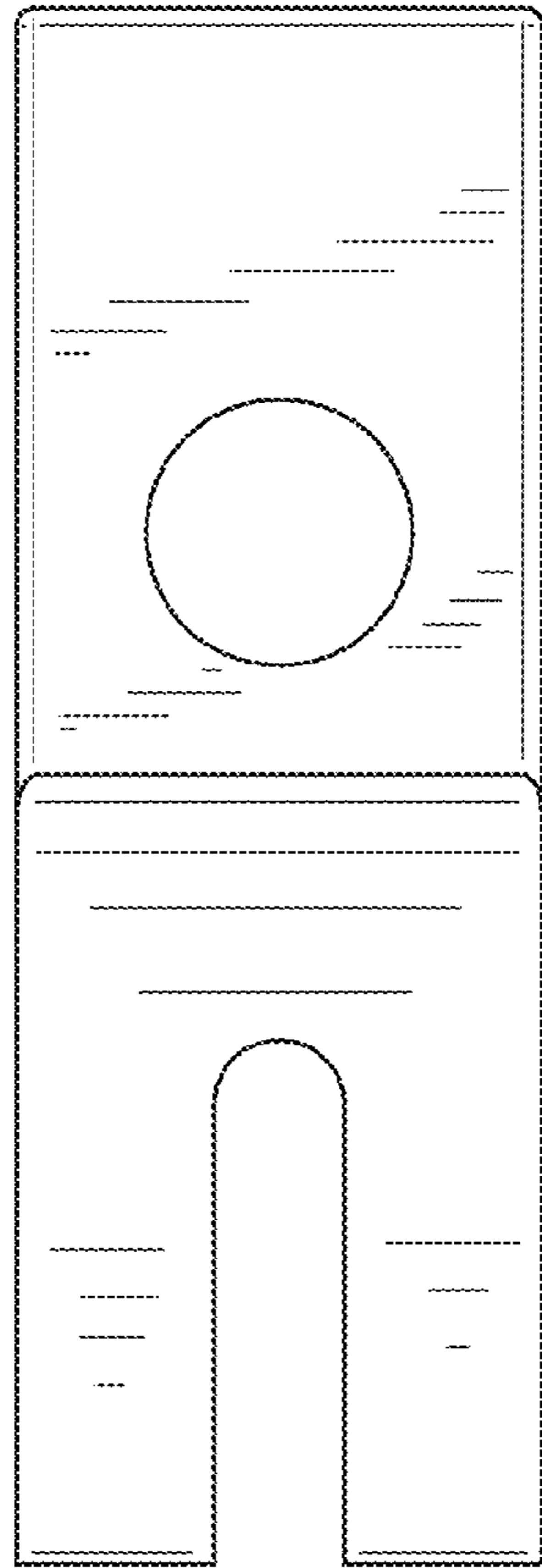


FIG. 6

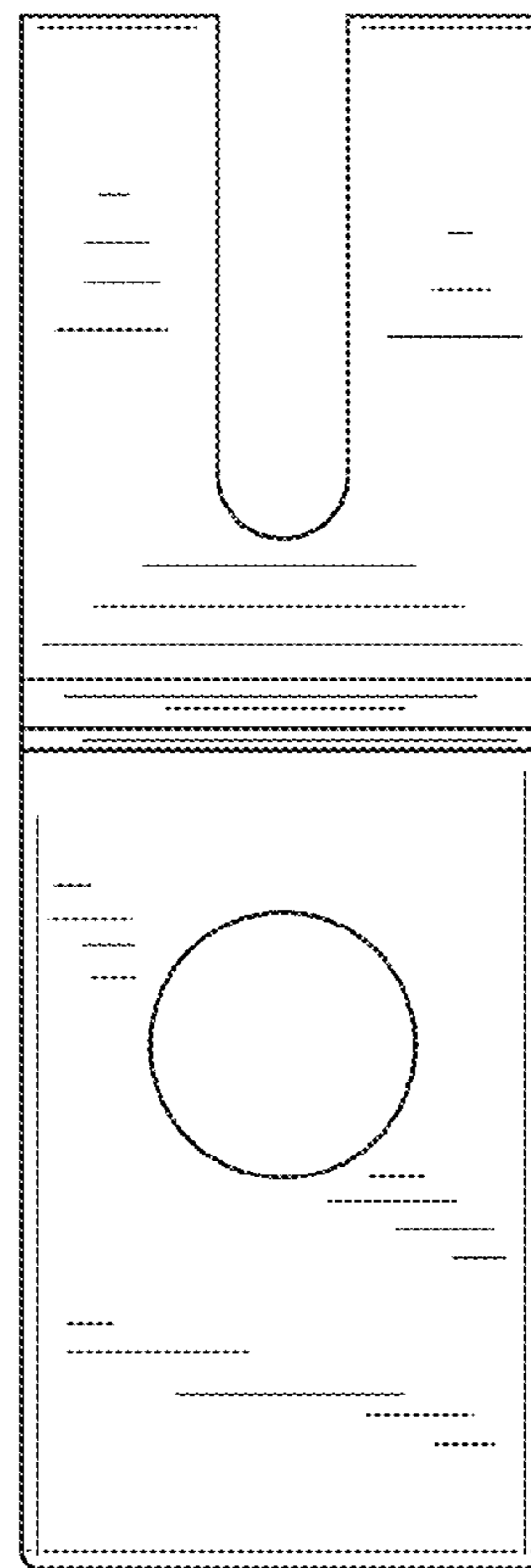


FIG. 7