



US00D726521S

(12) **United States Design Patent**
Moss et al.

(10) **Patent No.:** **US D726,521 S**
(45) **Date of Patent:** **** Apr. 14, 2015**

(54) **SCREWDRIVING BIT**
(71) Applicant: **Black & Decker Inc.**, Newark, DE (US)
(72) Inventors: **Darren B. Moss**, York, PA (US); **David B. Lee**, Baltimore, MD (US); **Mark E. Brunson**, Bel Air, MD (US); **Aland Santamarina**, Columbia, MD (US)

5,868,047 A 2/1999 Faust et al.
6,053,675 A 4/2000 Holland et al.
6,082,233 A 7/2000 Han
6,148,699 A 11/2000 Han
6,154,108 A 11/2000 Huang
6,311,989 B1 * 11/2001 Rosanwo 279/75
6,341,926 B1 1/2002 Liu
6,354,177 B2 3/2002 Peters

(Continued)

(73) Assignee: **Black & Decker Inc.**, Newark, DE (US)

FOREIGN PATENT DOCUMENTS

(**) Term: **14 Years**

DE 3907567 A1 9/1989
DE 202004004469 U1 5/2004

(21) Appl. No.: **29/464,304**

(Continued)

(22) Filed: **Aug. 15, 2013**

OTHER PUBLICATIONS

(51) **LOC (10) Cl.** **08-04**

New Product Ideas/Inventions: Twist-Lok Drill & Drive System;
Mar. 1, 2007 (5 pages).

(52) **U.S. Cl.**

(Continued)

USPC **D8/86**

(58) **Field of Classification Search**

CPC B23B 2251/66; B23P 15/00; B25B 13/06;
B25B 13/5091; B25B 15/00; B25B 15/001;
B25B 15/002; B25B 15/004; B25B 15/005;
B25B 15/008; B25B 15/02; B25B 15/04;
B25B 17/00; B25B 21/007; B25B 23/00;
B25B 23/0035; B25B 23/005; B25B 23/12;
B25B 23/1405; B25B 27/18; B25B 31/12;
B25B 51/08; B25B 51/108

USPC D8/70, 82, 85-87, 105; D15/139;
81/436, 460-461

See application file for complete search history.

Primary Examiner — Susan E Krakower
Assistant Examiner — Roselynn Cody
(74) *Attorney, Agent, or Firm* — Scott B. Markow

(57) **CLAIM**

The ornamental design for a screwdriving bit, as shown and described.

DESCRIPTION

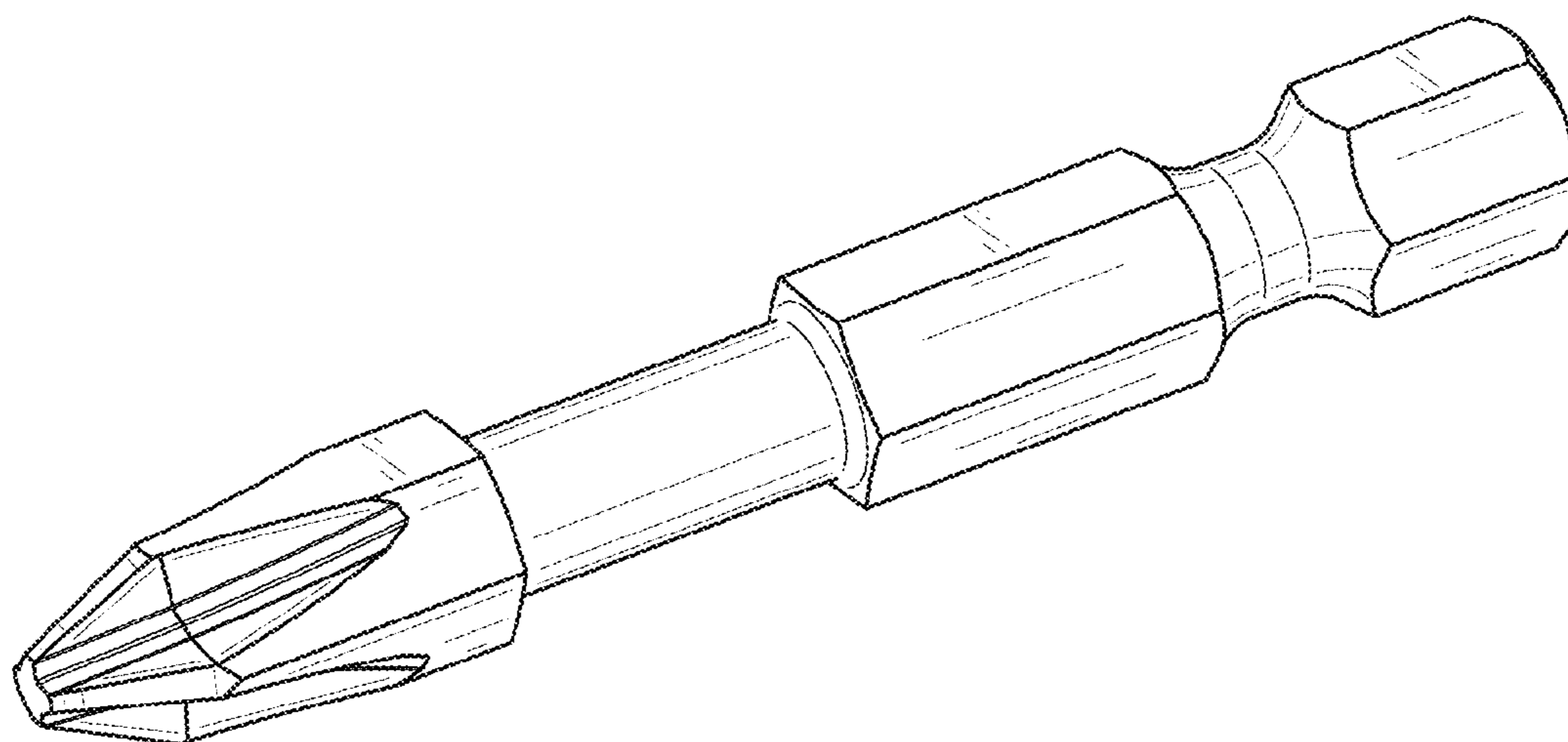
FIG. 1 is a perspective view of a screwdriving bit.
FIG. 2 is a left view of the screwdriving bit of FIG. 1.
FIG. 3 is a right view of the screwdriving bit of FIG. 1.
FIG. 4 is a top view of the screwdriving bit of FIG. 1.
FIG. 5 is a bottom view of the screwdriving bit of FIG. 1.
FIG. 6 is a front view of the screwdriving bit of FIG. 1; and,
FIG. 7 is a rear view of the screwdriving bit of FIG. 1.

1 Claim, 6 Drawing Sheets

(56) **References Cited**

U.S. PATENT DOCUMENTS

2,522,217 A 9/1950 Fischer et al.
4,846,027 A * 7/1989 Lu 81/57.3
5,056,387 A 10/1991 Cook
5,152,642 A 10/1992 Pitts et al.
5,704,261 A 1/1998 Strauch et al.



(56)

References Cited

U.S. PATENT DOCUMENTS

6,530,299 B1 3/2003 Liu
 6,695,321 B2 * 2/2004 Bedi et al. 279/22
 6,698,319 B2 3/2004 Huang
 6,820,522 B2 * 11/2004 Hu 81/176.3
 6,929,266 B2 8/2005 Peters et al.
 6,931,967 B1 8/2005 Chang
 7,086,813 B1 8/2006 Boyle et al.
 7,096,768 B1 8/2006 Chen
 7,097,398 B2 * 8/2006 Hernandez, Jr. 408/224
 7,107,882 B1 9/2006 Chang
 7,124,665 B1 10/2006 Chen
 7,131,358 B2 11/2006 Hsien
 7,214,009 B2 5/2007 Quanz
 7,261,023 B2 8/2007 Taguchi
 7,306,396 B1 12/2007 Chen
 7,387,054 B2 6/2008 Rajotte
 7,565,854 B2 7/2009 Chiang et al.
 7,574,946 B1 8/2009 Chang
 7,581,470 B1 * 9/2009 Huang 81/438
 7,669,860 B2 3/2010 Chiang
 D623,036 S 9/2010 DeBaker
 7,823,890 B2 11/2010 Chen
 D631,723 S 2/2011 DeBaker
 7,942,426 B2 5/2011 Peters
 D646,138 S * 10/2011 Hsu D8/86
 D646,139 S 10/2011 Hsu
 D646,547 S 10/2011 DeBaker
 D653,517 S * 2/2012 Lucio et al. D8/86
 D663,187 S * 7/2012 DeBaker D8/86
 8,210,545 B2 * 7/2012 Hild et al. 279/19.6
 8,418,587 B2 * 4/2013 DeBaker 81/436
 D704,022 S * 5/2014 Hsu D8/86

D711,719 S * 8/2014 DeBaker D8/86
 2002/0166421 A1 11/2002 Bowerman
 2005/0098002 A1 5/2005 Holland-Letz
 2005/0166725 A1 8/2005 Chen
 2006/0027057 A1 2/2006 Hsien
 2006/0107801 A1 5/2006 Hsien
 2006/0123957 A1 6/2006 Hsien
 2008/0184853 A1 8/2008 Chen
 2008/0216618 A1 9/2008 Chen
 2009/0139378 A1 6/2009 Chiang et al.
 2009/0139379 A1 6/2009 Chiang et al.
 2009/0165606 A1 7/2009 Hsien
 2009/0174157 A1 7/2009 Chang
 2009/0288525 A1 11/2009 Chen
 2009/0314143 A1 12/2009 Chen
 2010/0307298 A1 * 12/2010 Lai 81/442
 2011/0197721 A1 8/2011 DeBaker
 2012/0275875 A1 11/2012 Gischus et al.
 2013/0340578 A1 * 12/2013 Lai 81/460

FOREIGN PATENT DOCUMENTS

DE 202005013315 U1 10/2005
 DE 202008003131 U1 9/2008
 DE 102010016053 A1 2/2011
 DK 200101378 A 4/2002
 FR 2631275 A1 11/1989

OTHER PUBLICATIONS

Three (3) photographs of a Vessel 2H drill bit with floating magnet sleeve, with packaging (Date Unknown).
 Screen shots of a bit holder with a floating ring magnet—2 pages (Date Unknown).

* cited by examiner

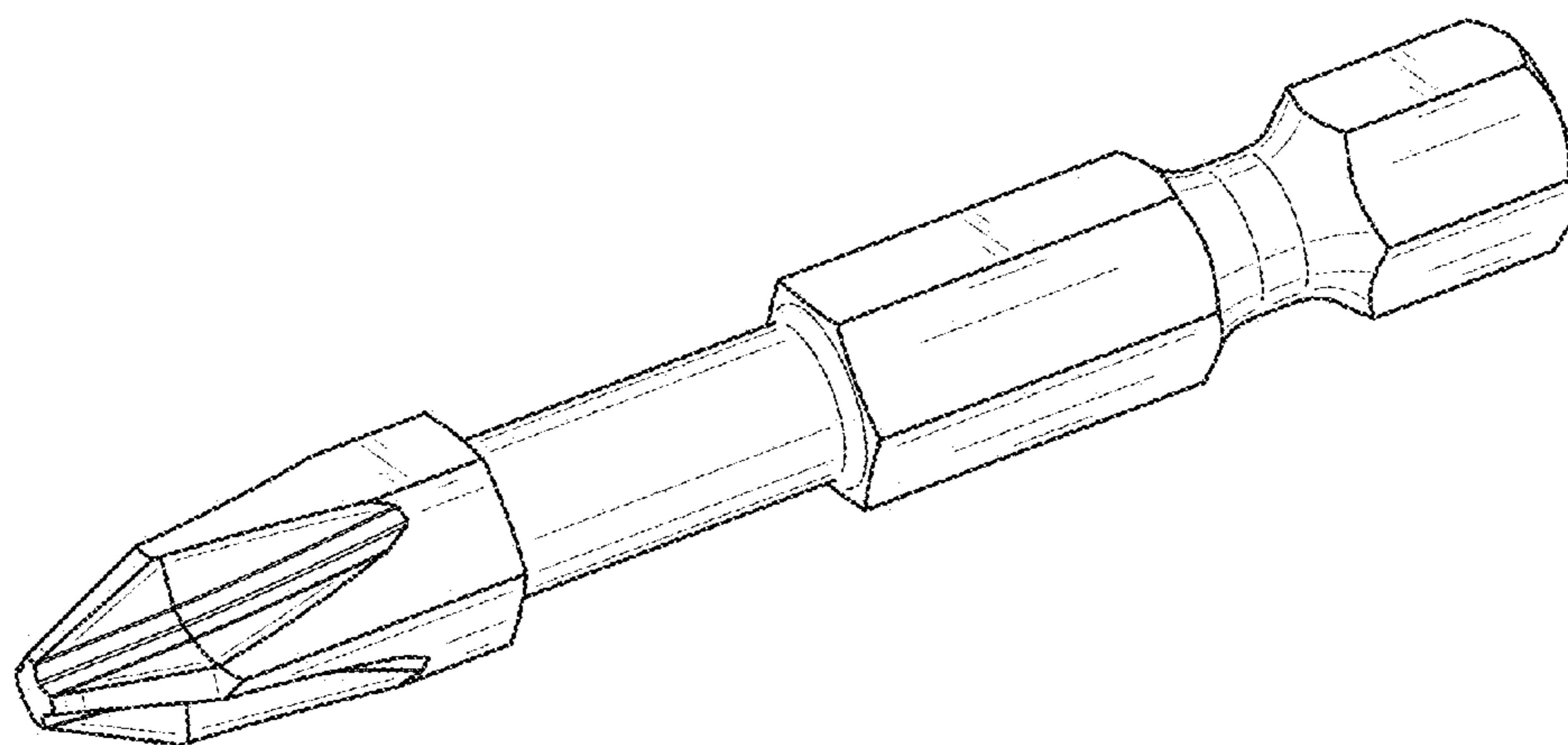


FIG. 1

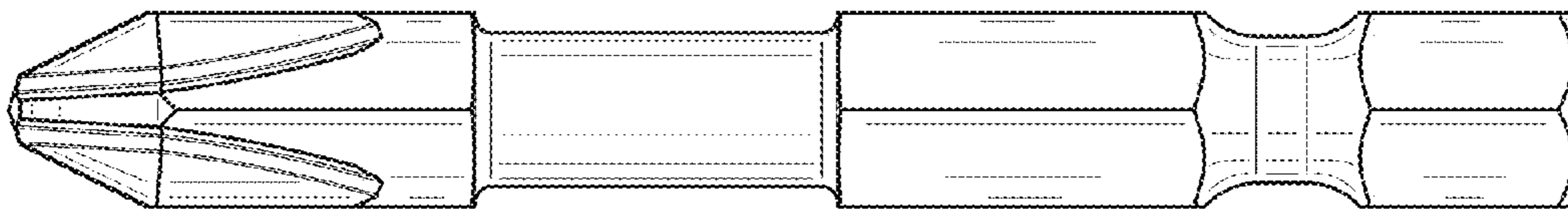


FIG. 2

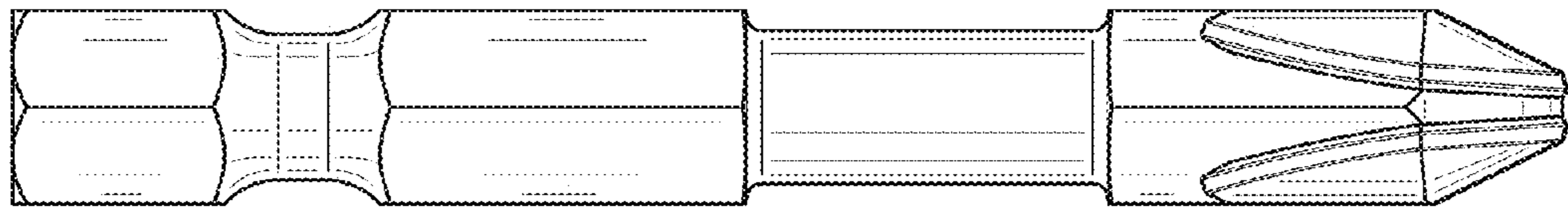


FIG. 3

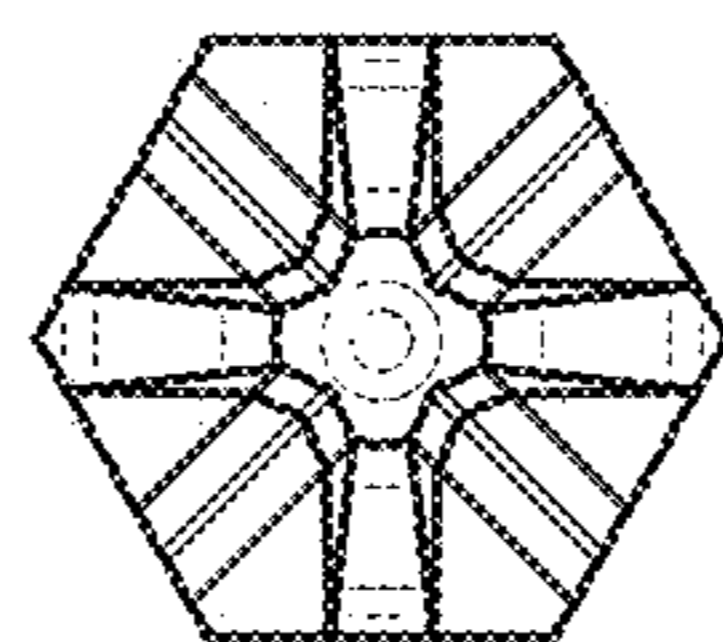


FIG. 4

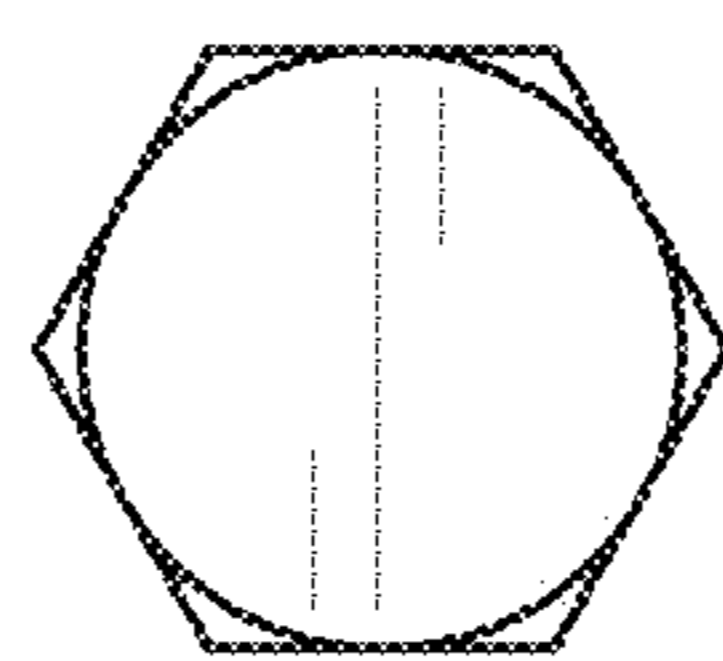


FIG. 5

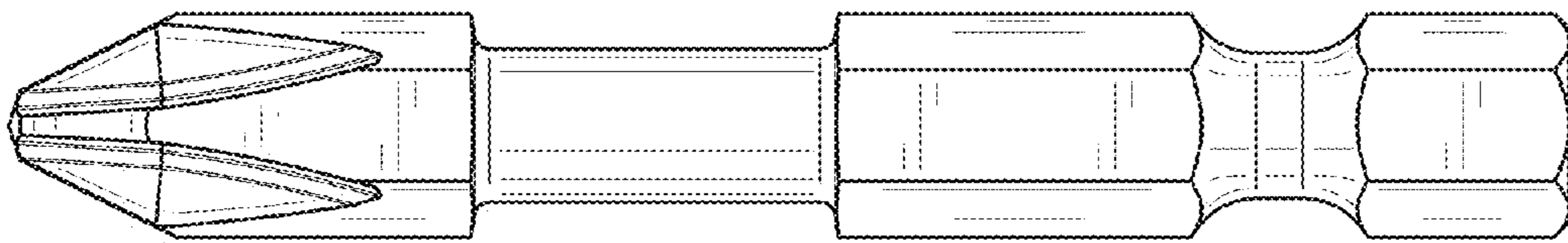


FIG. 6

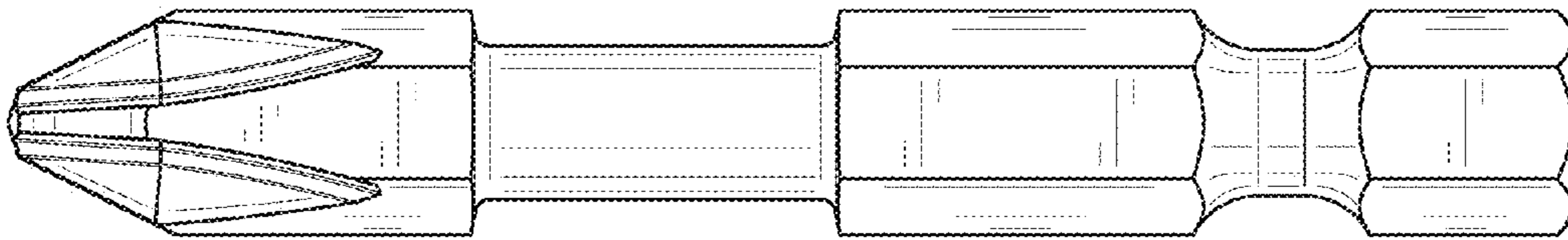


FIG. 7