



US00D726520S

(12) **United States Design Patent**
Trice

(10) **Patent No.:** **US D726,520 S**
(45) **Date of Patent:** **** Apr. 14, 2015**

(54) **DEMOLITION TOOL**

- (71) Applicant: **Evers C. Trice**, Frederick, MD (US)
- (72) Inventor: **Evers C. Trice**, Frederick, MD (US)
- (73) Assignee: **Trice Enterprise, LLC**, Frederick, MD (US)
- (**) Term: **14 Years**
- (21) Appl. No.: **29/442,665**
- (22) Filed: **Apr. 15, 2013**

Related U.S. Application Data

- (63) Continuation-in-part of application No. 29/421,505, filed on Aug. 3, 2012, now Pat. No. Des. 695,088, which is a continuation-in-part of application No. 13/064,955, filed on Apr. 28, 2011, now Pat. No. 8,458,838.

- (51) **LOC (10) Cl.** **08-02**
- (52) **U.S. Cl.**
USPC **D8/81**
- (58) **Field of Classification Search**
CPC A62B 3/005; A62C 31/22; A62C 99/009;
B25B 13/04; B25B 13/48; B25B 13/50;
B25B 27/00; B25D 1/00; B25D 1/04; B25D
1/16; B25D 7/00; B25F 1/00; B25F 1/006;
B25F 1/02; B26B 11/00; B26B 23/00; B66F
15/00; E04G 23/08
USPC D8/14, 47, 75, 78-81, 88-89, 105, 107;
7/143-147; 81/20-24; 254/26 R;
169/70

See application file for complete search history.

(56) **References Cited**

U.S. PATENT DOCUMENTS

905,676	A *	12/1908	Evans	254/26 R
1,042,177	A *	10/1912	Vredenburg	254/26 R
D57,662	S *	4/1921	Kingston	D8/81
1,536,319	A *	5/1925	Yost	7/158
D110,735	S *	8/1938	Rubel	D8/75
2,490,684	A *	12/1949	Gosselin	30/277
D163,533	S *	6/1951	Mills	D8/81
D203,769	S *	2/1966	Rando	D8/26
D226,162	S *	1/1973	Ziaylek	D8/81
3,710,407	A *	1/1973	Reid	7/144
D262,186	S *	12/1981	Royce	D8/79
4,505,482	A *	3/1985	Martin, Sr.	473/583
4,616,835	A *	10/1986	Trotter	473/583
D291,402	S *	8/1987	Square	D8/75
D300,111	S *	3/1989	Square	D8/75
5,088,174	A *	2/1992	Hull et al.	29/254
5,428,853	A *	7/1995	Menke et al.	7/138
D507,167	S *	7/2005	Richardson	D8/81
D525,506	S *	7/2006	Downing, Jr.	D8/78
D558,552	S *	1/2008	Kuo	D8/75
D562,101	S *	2/2008	Martone et al.	D8/89
D567,620	S *	4/2008	Martone et al.	D8/81
D579,301	S *	10/2008	Jones	D8/105

(Continued)

Primary Examiner — Philip S Hyder

Assistant Examiner — Roselynn Cody

(74) *Attorney, Agent, or Firm* — Breiner & Breiner, L.L.C.

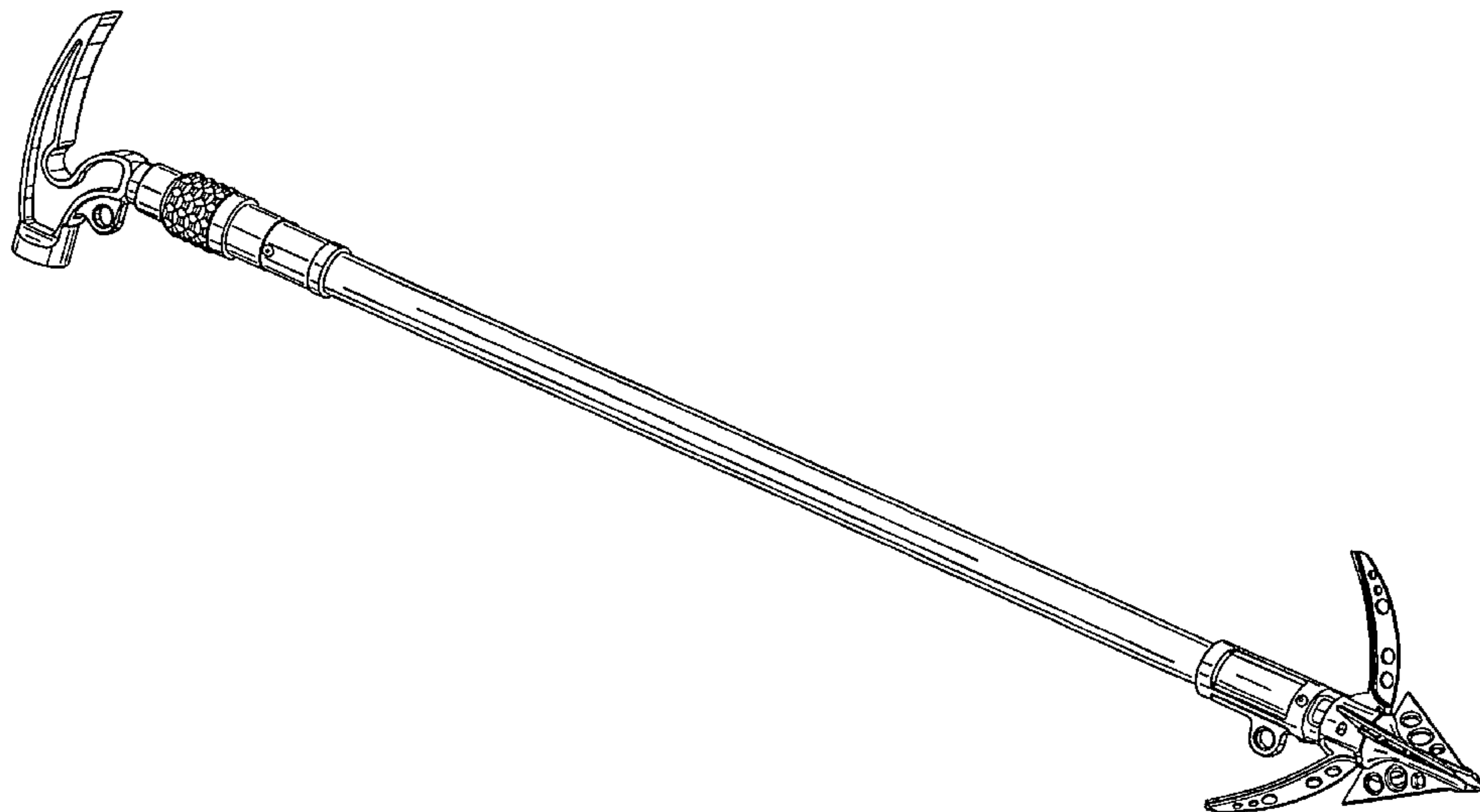
(57) **CLAIM**

The ornamental design for a demolition tool, as shown and described.

DESCRIPTION

FIG. 1 is a perspective view of the demolition tool;
FIG. 2 is a first end view of the demolition tool of FIG. 1;
FIG. 3 is a second end view of the demolition tool of FIG. 1;
FIG. 4 is a first side view of the demolition tool of FIG. 1;
FIG. 5 is a second side view of the demolition tool of FIG. 1;
and,
FIG. 6 is a third side view of the demolition tool of FIG. 1.

1 Claim, 3 Drawing Sheets



(56)

References Cited

U.S. PATENT DOCUMENTS

D595,555 S *	7/2009	Vanderbeek	D8/89	2009/0271929 A1*	11/2009	Adams et al.	7/144
D628,035 S *	11/2010	Paige	D8/14	2009/0276962 A1*	11/2009	Adams et al.	7/144
2003/0192187 A1*	10/2003	Bean	30/164.6	2010/0132966 A1*	6/2010	Lawrence	169/70
2007/0234575 A1*	10/2007	Petty	30/299	2010/0263133 A1*	10/2010	Langan	7/143
					2011/0113566 A1*	5/2011	Holbrook	7/146

* cited by examiner

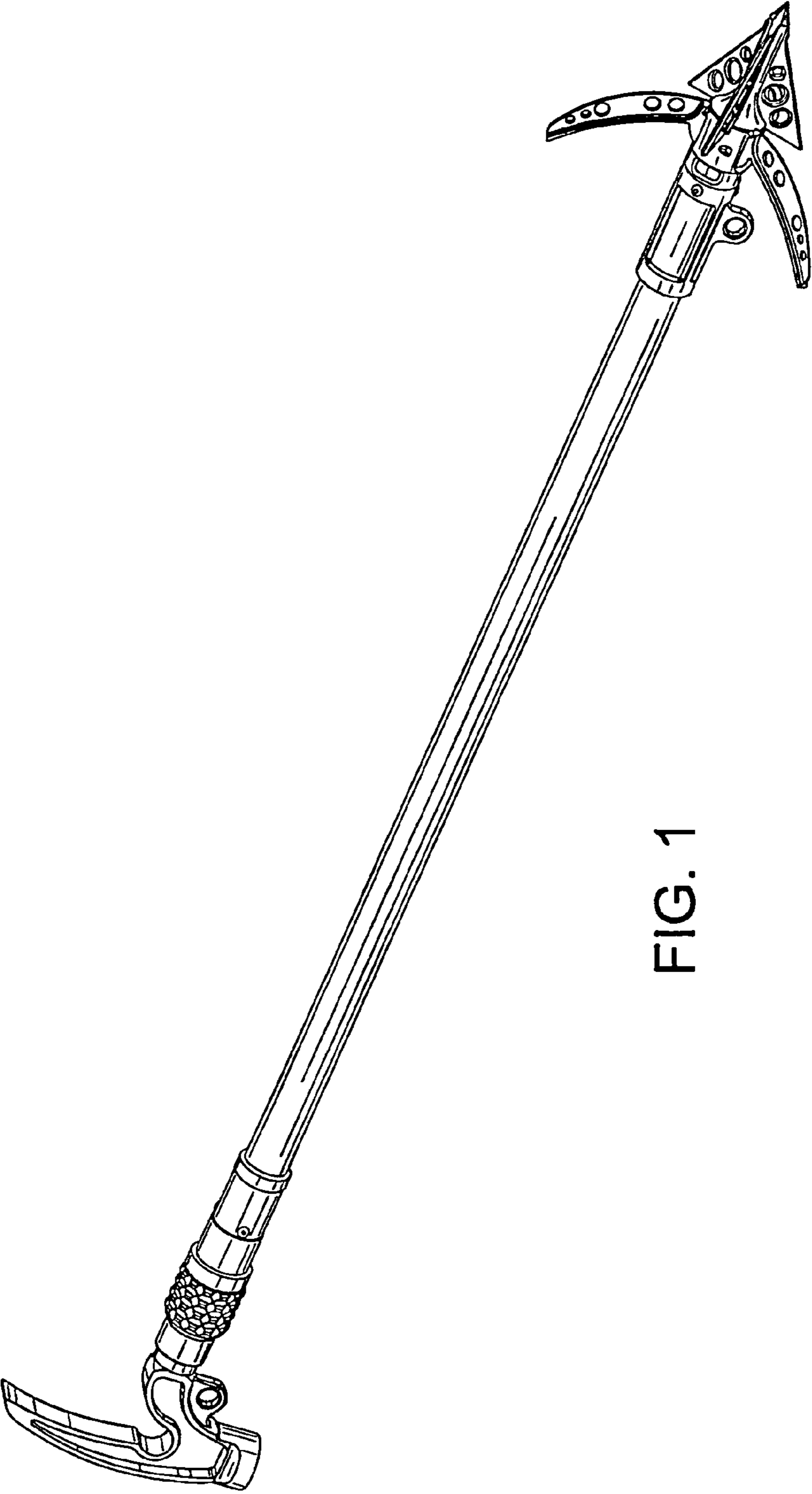


FIG. 1

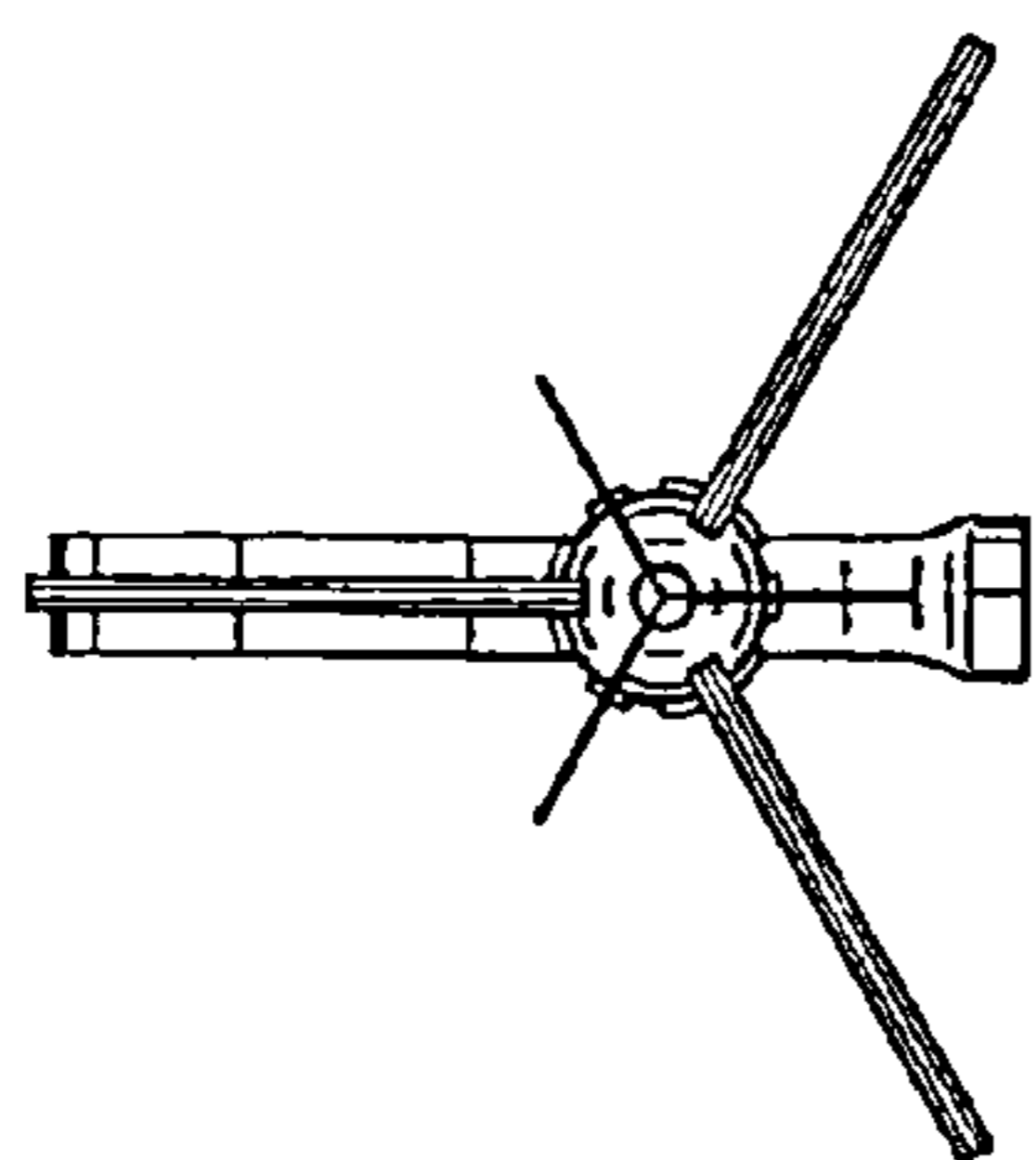


FIG. 2

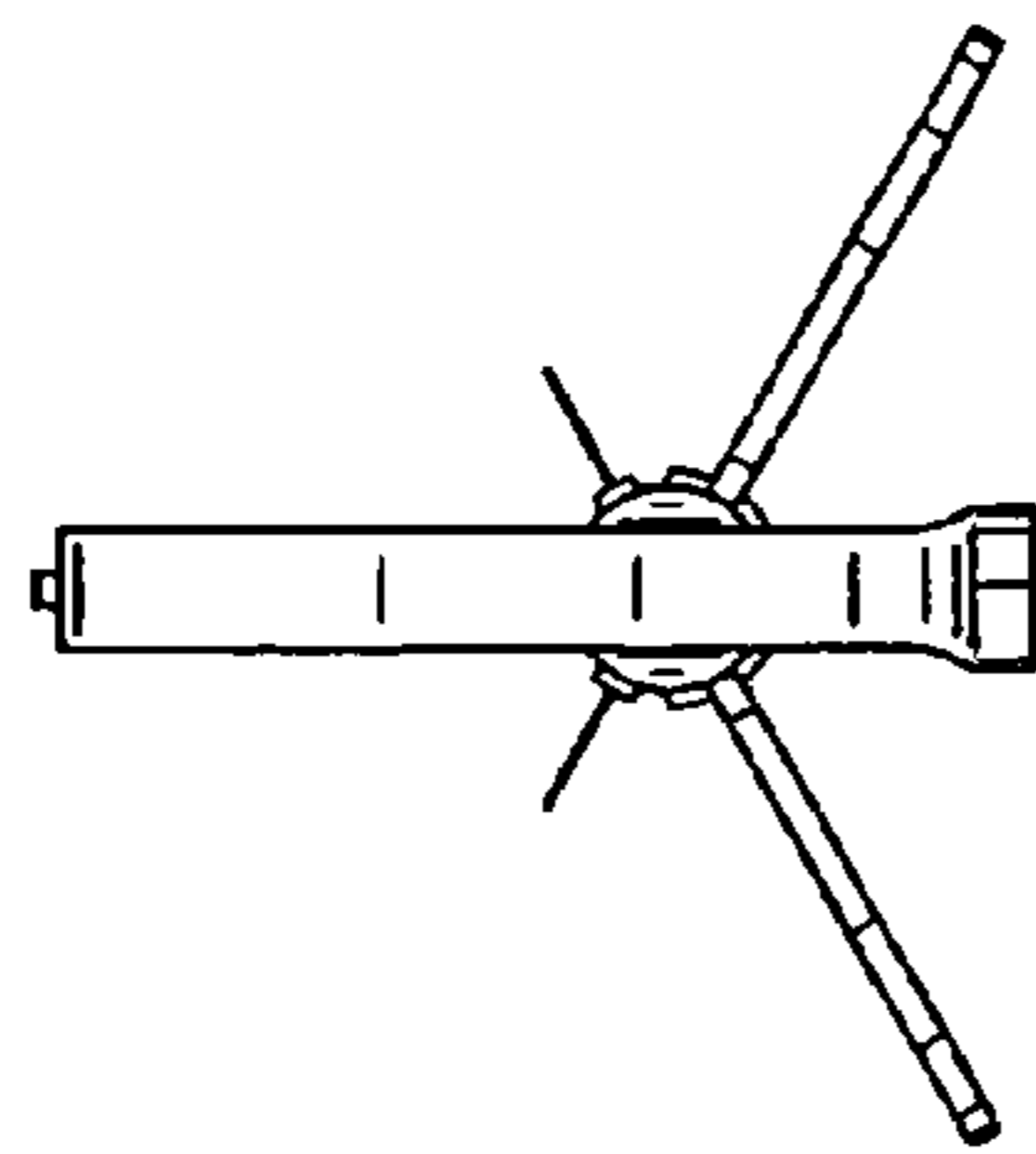


FIG. 3

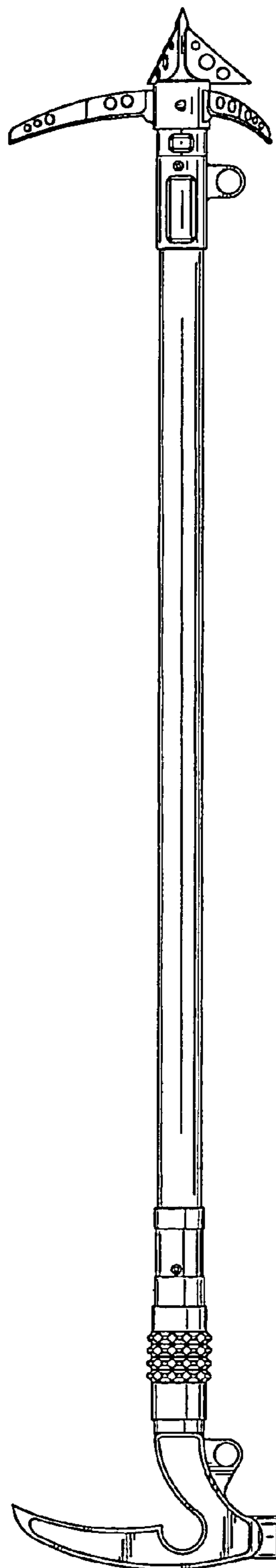


FIG. 4

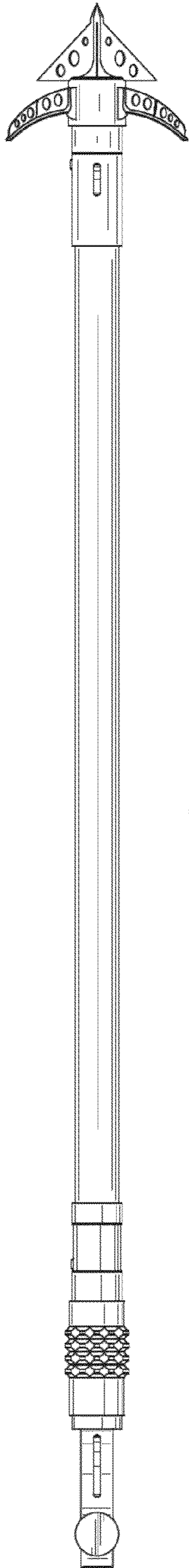


FIG. 5

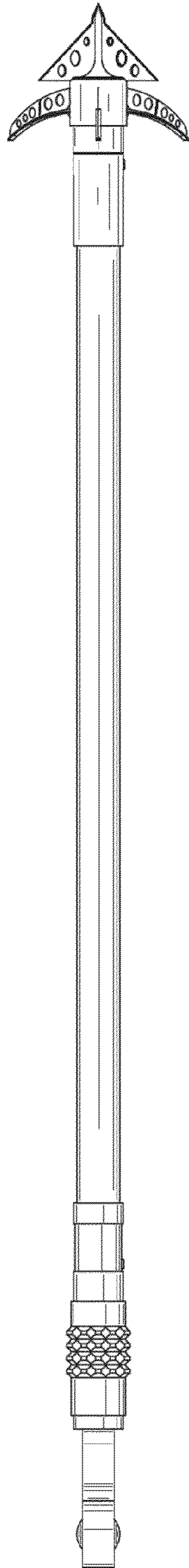


FIG. 6