



US00D726519S

(12) **United States Design Patent**
Huang

(10) **Patent No.:** **US D726,519 S**

(45) **Date of Patent:** **** Apr. 14, 2015**

(54) **HYDRAULIC POWER VISE**

(71) Applicant: **Han-Nung Huang**, Taichung (TW)

(72) Inventor: **Han-Nung Huang**, Taichung (TW)

(**) Term: **14 Years**

(21) Appl. No.: **29/446,144**

(22) Filed: **Feb. 20, 2013**

(51) **LOC (10) Cl.** **08-05**

(52) **U.S. Cl.**
USPC **D8/74**

(58) **Field of Classification Search**
USPC D8/71-74, 394-399, 59; 248/62, 63,
248/72, 74.1, 689, 124.2; 81/487; 269/3, 4,
269/6, 143, 165, 240, 243, 246-249, 254 R,
269/147-149; 29/256, 257, 276; D15/140;
D24/143; 408/103, 104-109
See application file for complete search history.

(56) **References Cited**

U.S. PATENT DOCUMENTS

D355,114 S *	2/1995	Wizman	D8/71
D417,599 S *	12/1999	Wolfe et al.	D8/74
D422,868 S *	4/2000	Lavigne et al.	D8/74
D435,772 S *	1/2001	Lavigne et al.	D8/74

D436,012 S *	1/2001	Lavigne et al.	D8/74
6,361,034 B1 *	3/2002	Wolfe	269/247
D640,521 S *	6/2011	Tschida et al.	D8/74
D646,543 S *	10/2011	Galle	D8/74
D647,381 S *	10/2011	Lin et al.	D8/74
D682,653 S *	5/2013	Coope et al.	D8/74
D685,827 S *	7/2013	Sun	D15/140
2012/0043711 A1 *	2/2012	Schmidt	269/244
2012/0169000 A1 *	7/2012	Lin et al.	269/216

* cited by examiner

Primary Examiner — David Muller

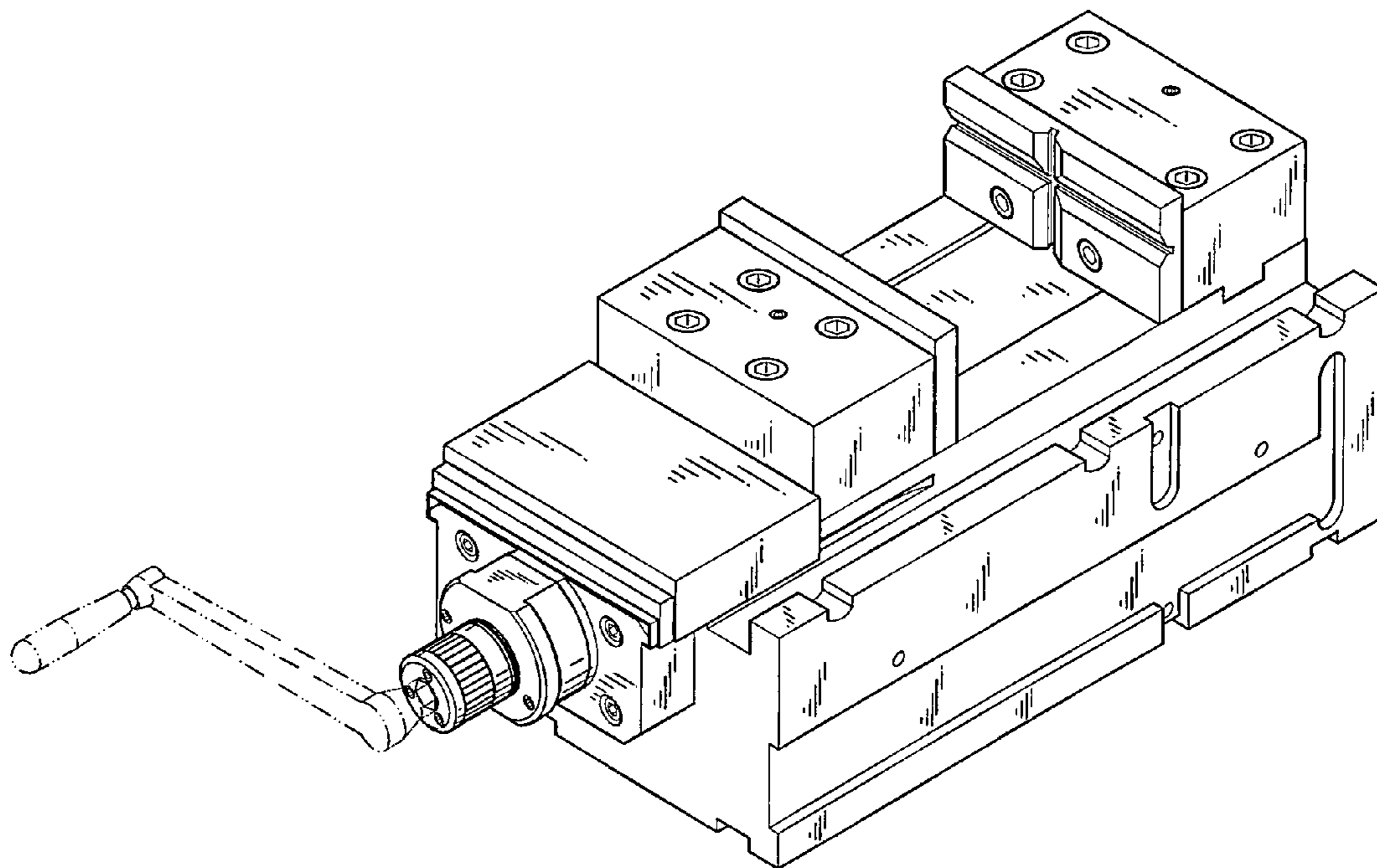
(57) **CLAIM**

The ornamental design for a hydraulic power vise, as shown and described.

DESCRIPTION

FIG. 1 is a perspective view of the hydraulic power vise showing my new design;
FIG. 2 is a front elevational view thereof;
FIG. 3 is a rear elevational view thereof;
FIG. 4 is a left side elevational view thereof;
FIG. 5 is a right side elevational view thereof;
FIG. 6 is a top plan view thereof; and,
FIG. 7 is a bottom plan view thereof.
Any broken line illustration of structure in the drawing is not part of the design sought to be patented.

1 Claim, 7 Drawing Sheets



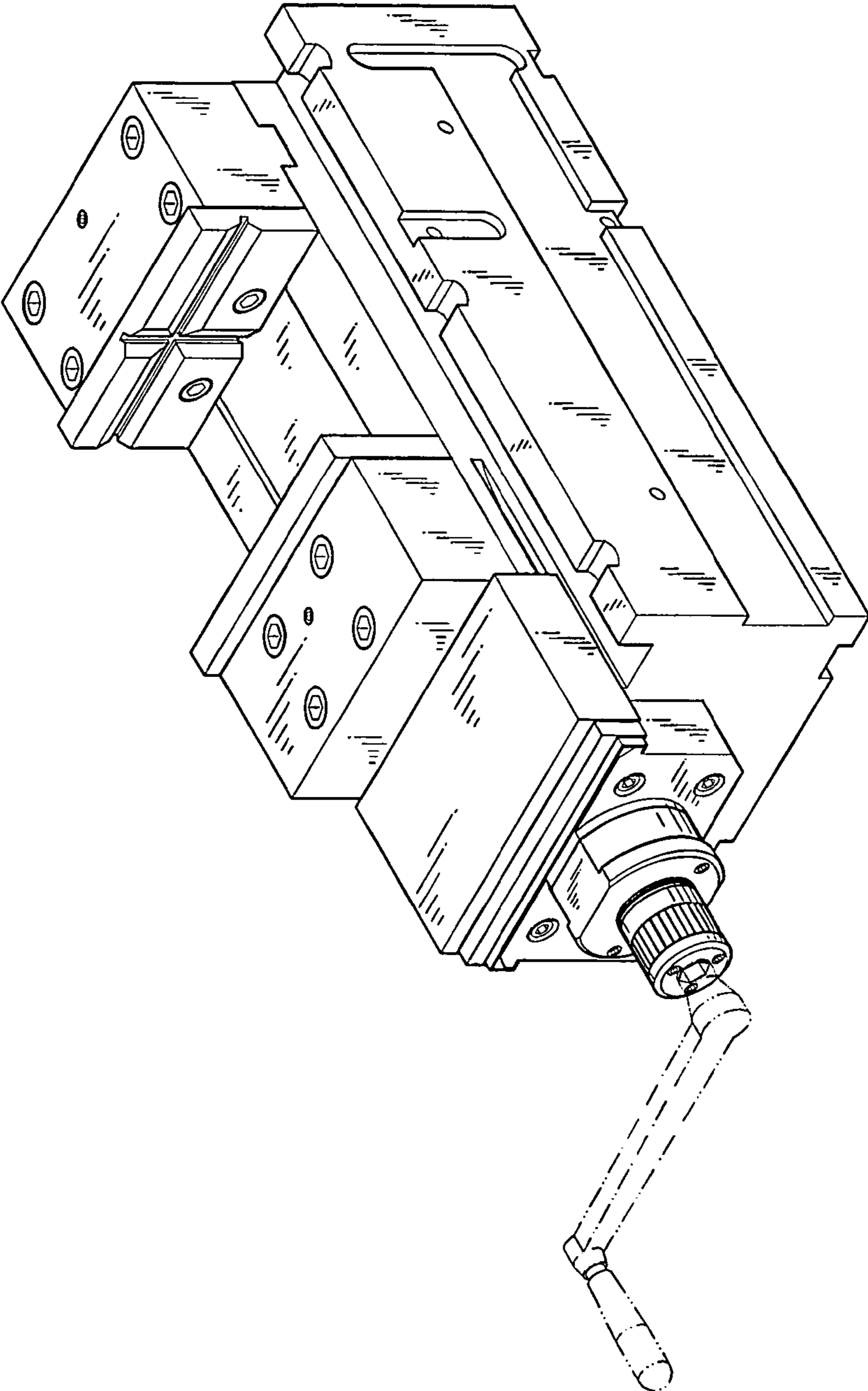


FIG.1

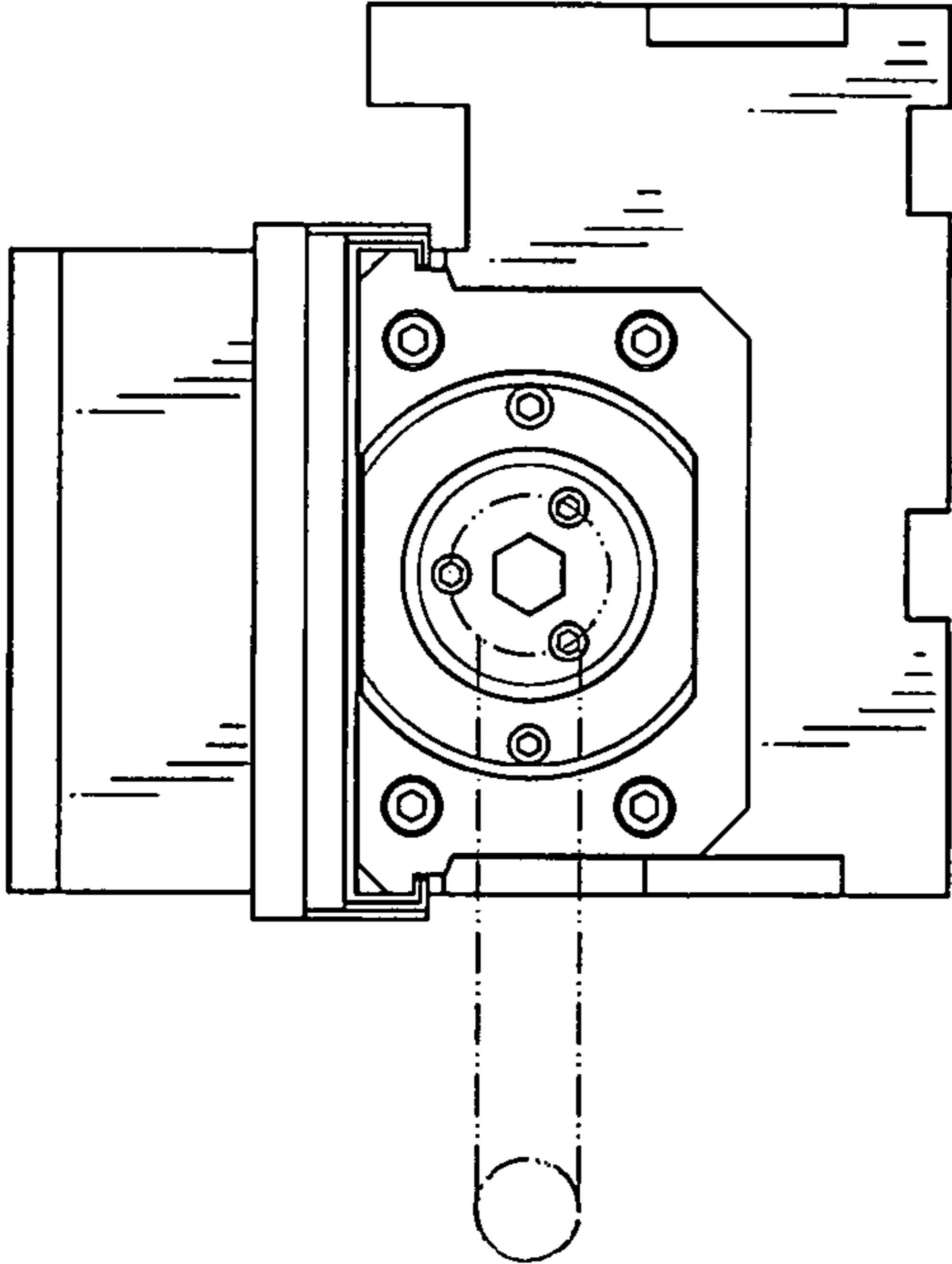


FIG.2

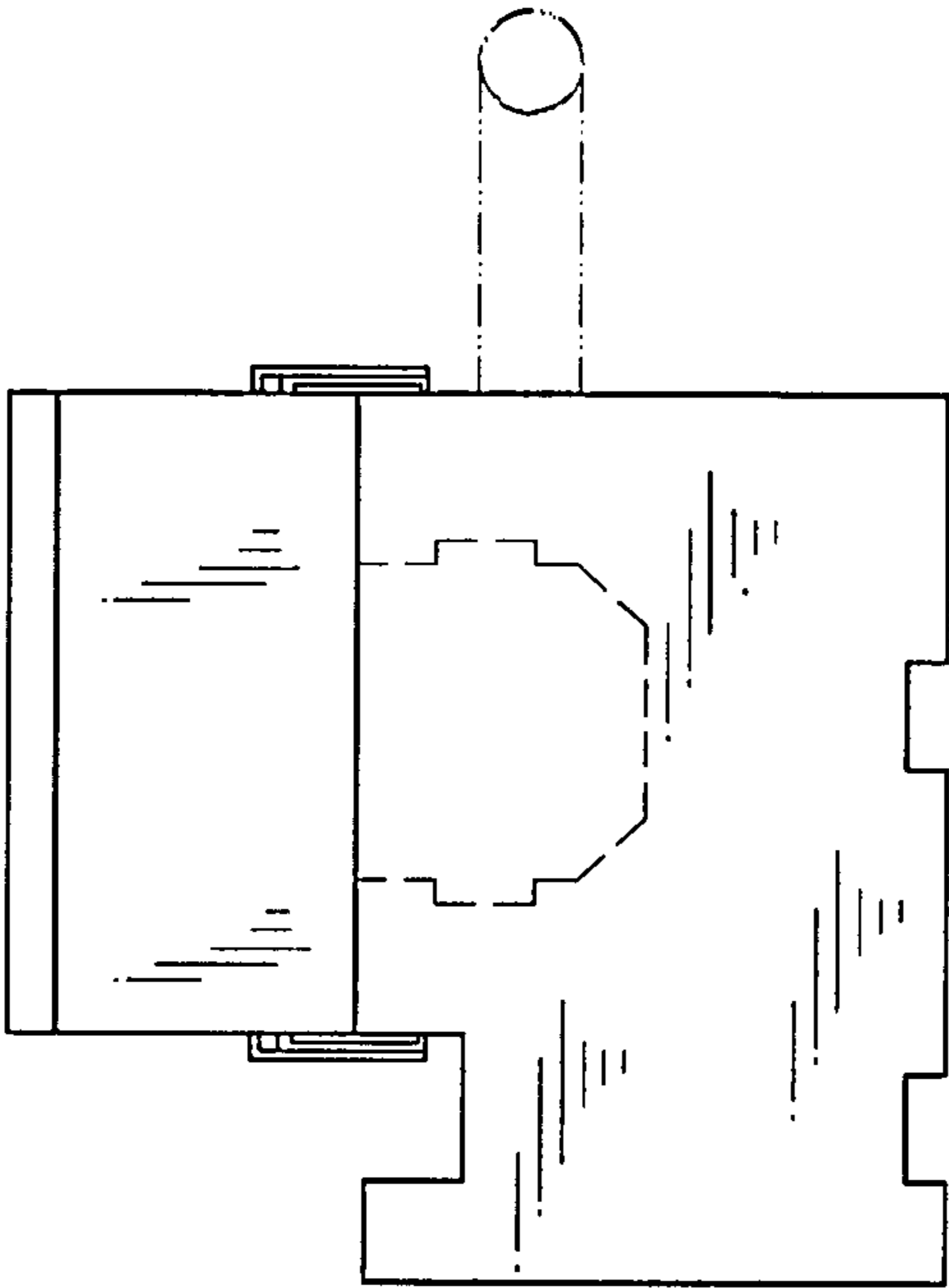


FIG.3

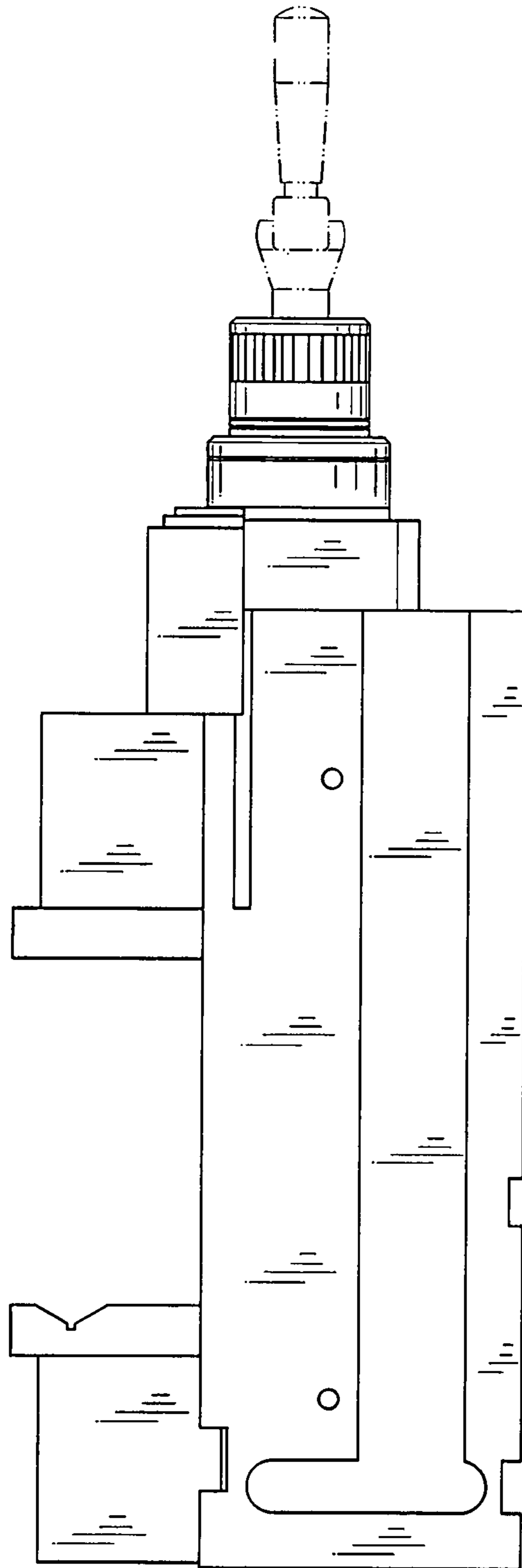


FIG.4

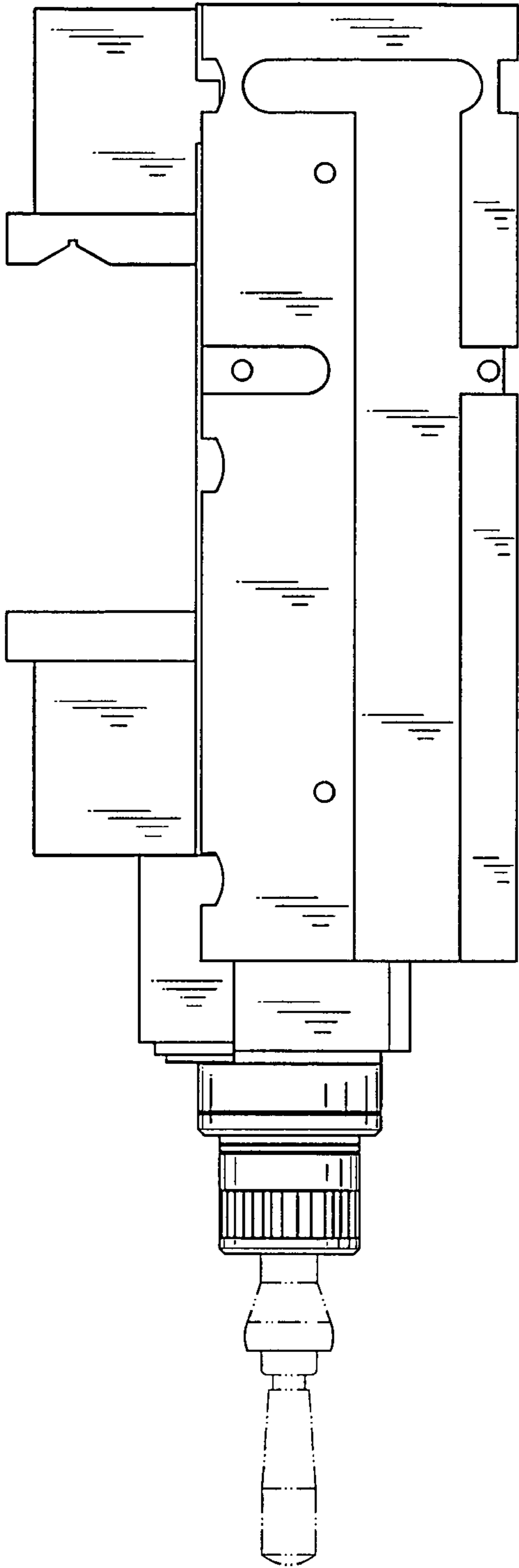


FIG.5

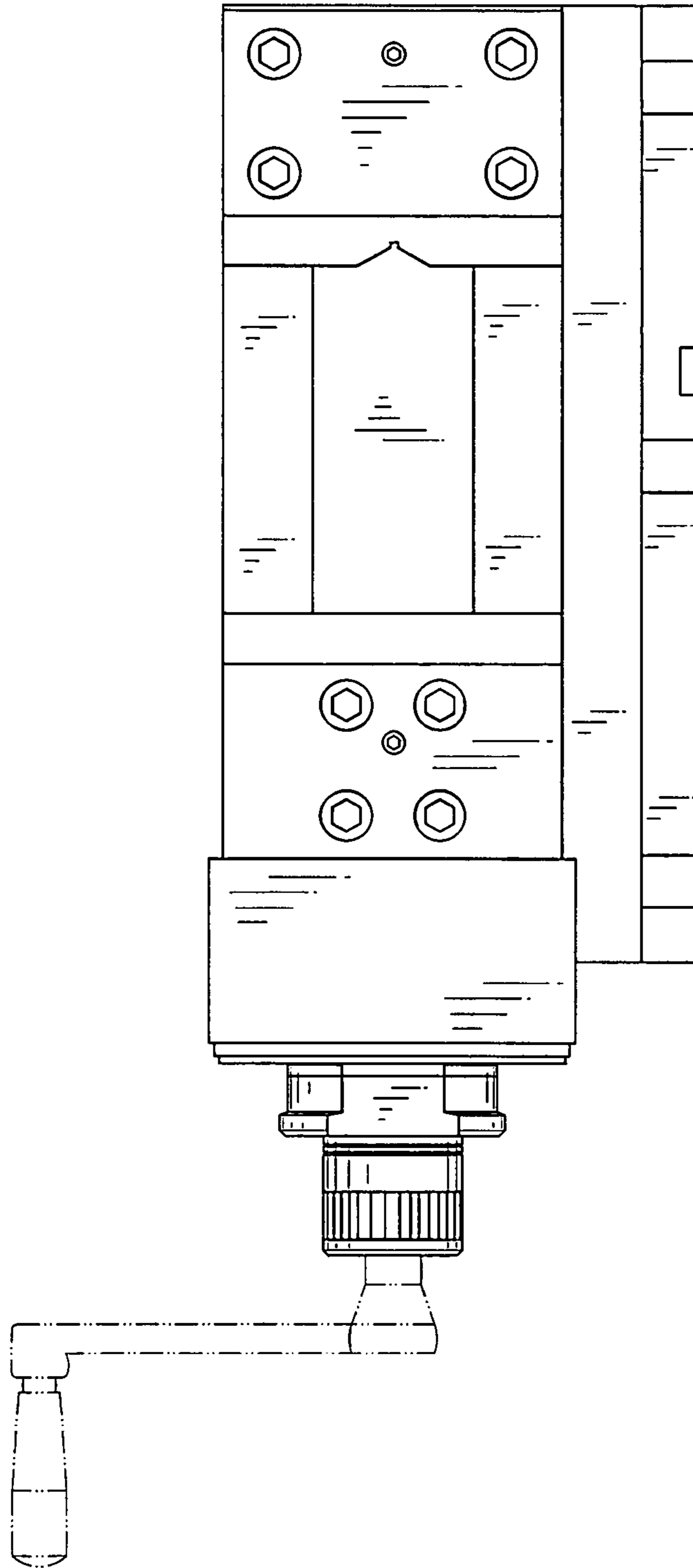


FIG.6

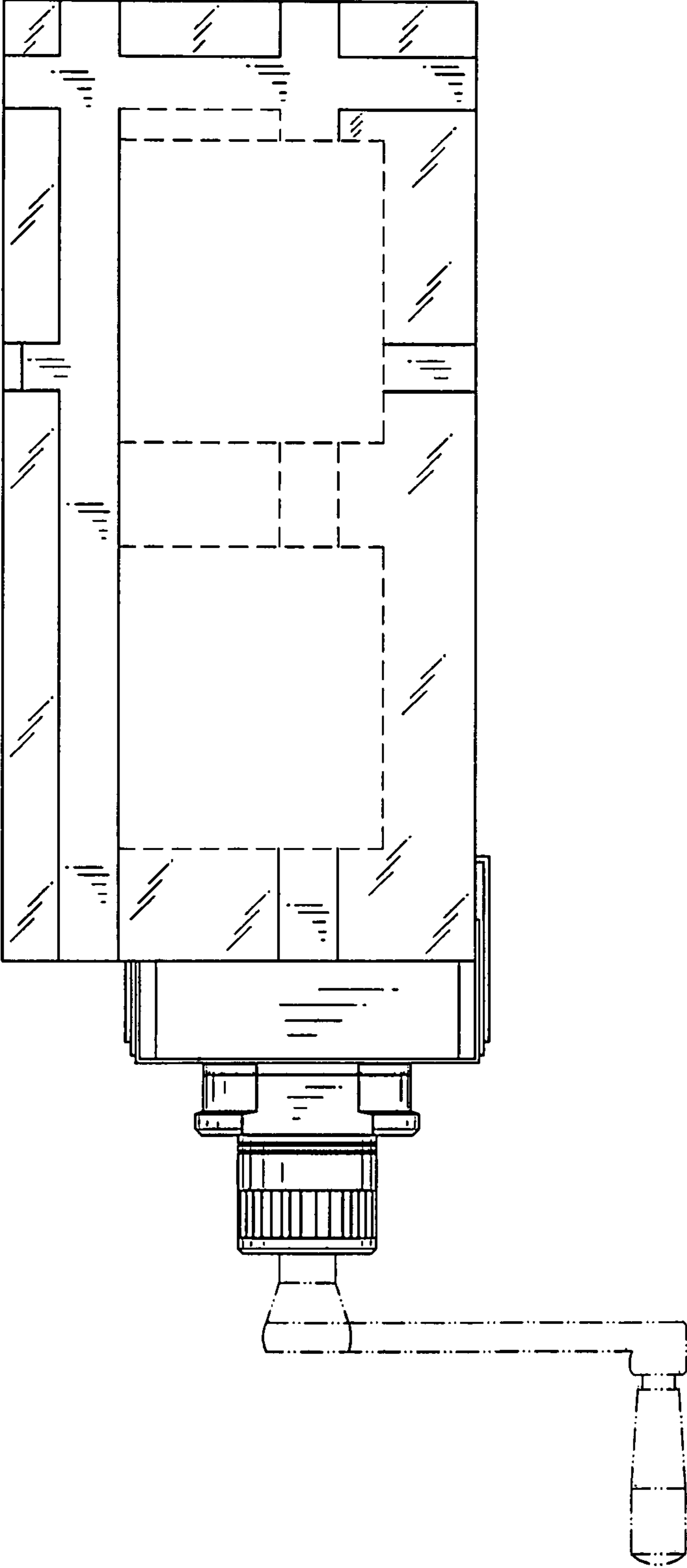


FIG.7