



US00D726518S

(12) **United States Design Patent**
Terpsma

(10) **Patent No.:** **US D726,518 S**

(45) **Date of Patent:** **** Apr. 14, 2015**

- (54) **SPANNER SOCKET**
- (71) Applicant: **SAF-Holland, Inc.**, Holland, MI (US)
- (72) Inventor: **Eric Terpsma**, Holland, MI (US)
- (73) Assignee: **SAF-Holland, Inc.**, Holland, MI (US)
- (**) Term: **14 Years**
- (21) Appl. No.: **29/485,858**
- (22) Filed: **Mar. 24, 2014**
- (51) **LOC (10) Cl.** **08-05**
- (52) **U.S. Cl.**
USPC **D8/29**
- (58) **Field of Classification Search**
USPC D8/29, 85, 81, 82; 81/60, 177.1,
81/177.85, 121.1, 124.3, 165-170, 110.1,
81/176.2, 124.6, 176.1, 176.15, 177.2;
16/110.1; D15/144.1; 219/75, 227,
219/229, 121.16, 121.18
See application file for complete search history.

4,964,330 A *	10/1990	Swinney et al.	81/64
4,982,629 A *	1/1991	Germain	81/176.1
6,058,813 A *	5/2000	Bryant et al.	81/176.15
D431,981 S *	10/2000	Aparnieks	D8/21
D466,766 S *	12/2002	Marty et al.	D8/21
D557,088 S *	12/2007	Morgan	D8/29
D561,545 S *	2/2008	Jahn	D8/21
D570,168 S *	6/2008	James	D8/21
D614,464 S *	4/2010	Wessel, IV	D8/29
D689,352 S *	9/2013	Cecil	D8/29

* cited by examiner

Primary Examiner — Randall Gholson
(74) *Attorney, Agent, or Firm* — Price Heneveld LLP

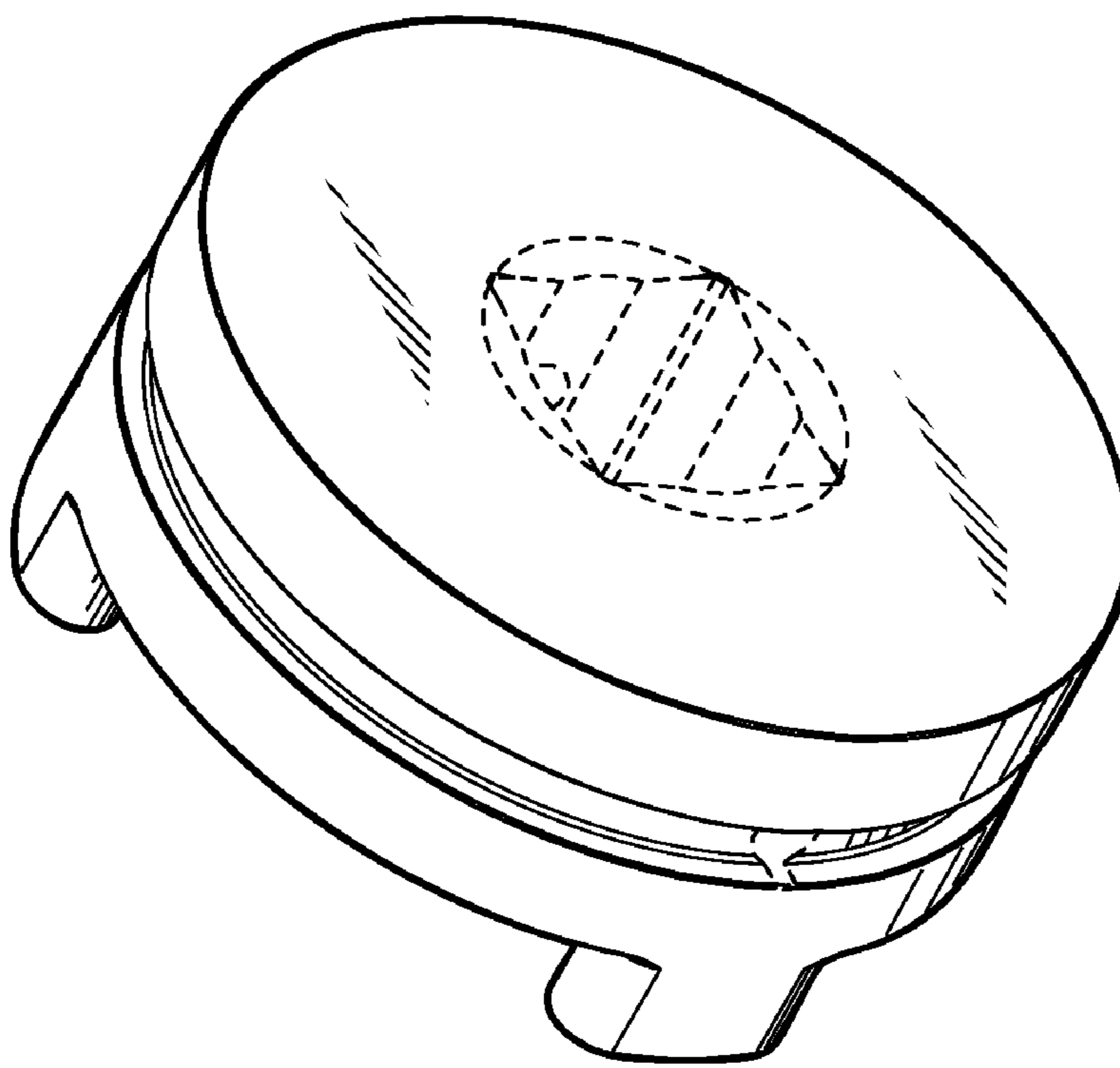
(57) **CLAIM**
The ornamental design for a spanner socket, as shown and described.

DESCRIPTION

FIG. 1 is a top perspective view of a spanner socket of the present invention;
FIG. 2 is a bottom perspective view of the spanner socket;
FIG. 3 is a first elevational side view of the spanner socket;
FIG. 4 is a second elevational side view of the spanner socket;
FIG. 5 is a third elevational side view of the spanner socket;
FIG. 6 is a fourth elevational side view of the spanner socket;
FIG. 7 is a top view of the spanner socket; and,
FIG. 8 is a bottom view of the spanner socket.
The broken lines shown in the drawings show unclaimed subject matter only and form no part of the claimed design.

- (56) **References Cited**
U.S. PATENT DOCUMENTS
2,909,090 A * 10/1959 Moore 81/176.15
D250,167 S * 11/1978 D'Oporto D8/29
4,920,834 A * 5/1990 Womack et al. 81/165

1 Claim, 3 Drawing Sheets



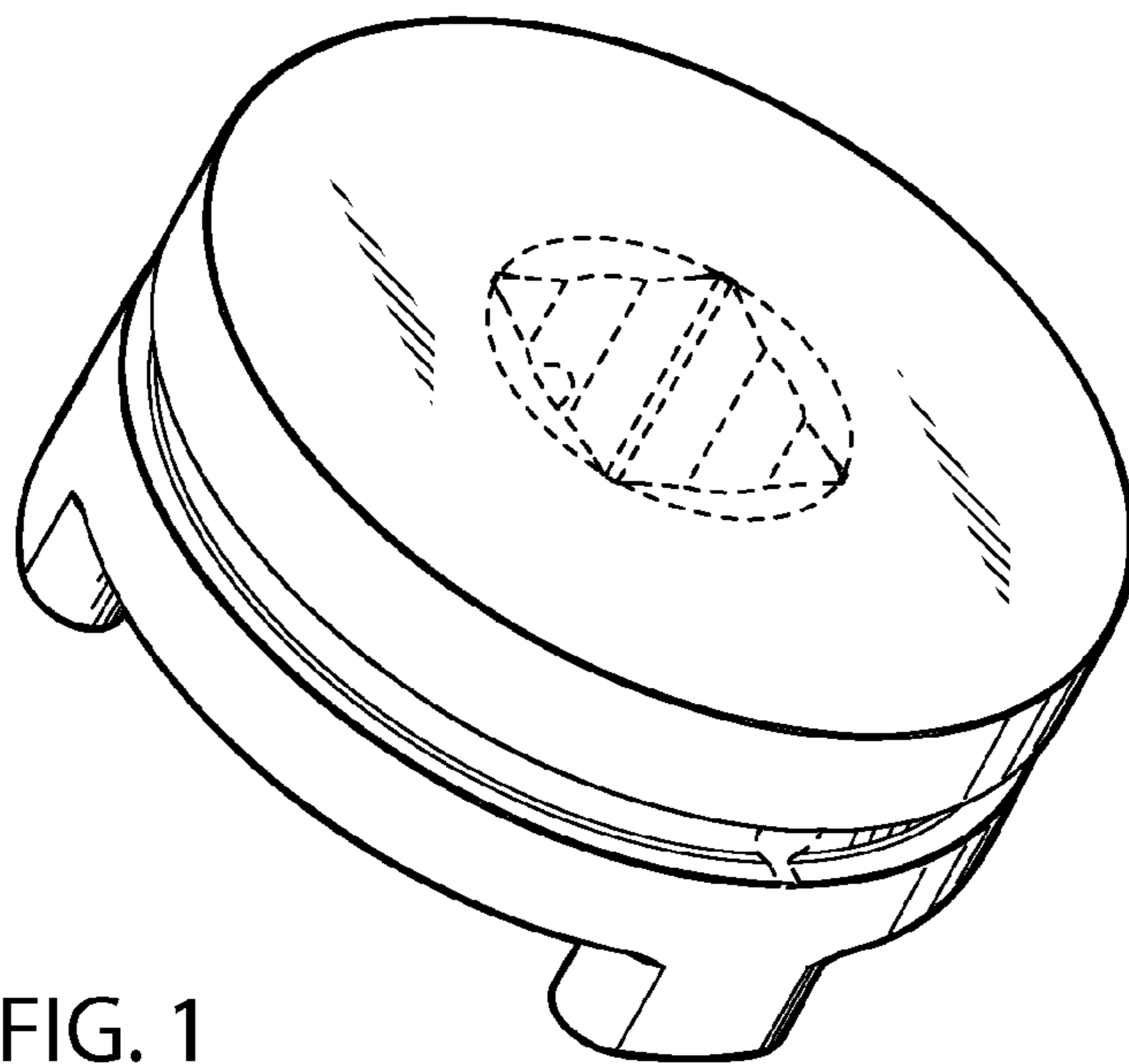


FIG. 1

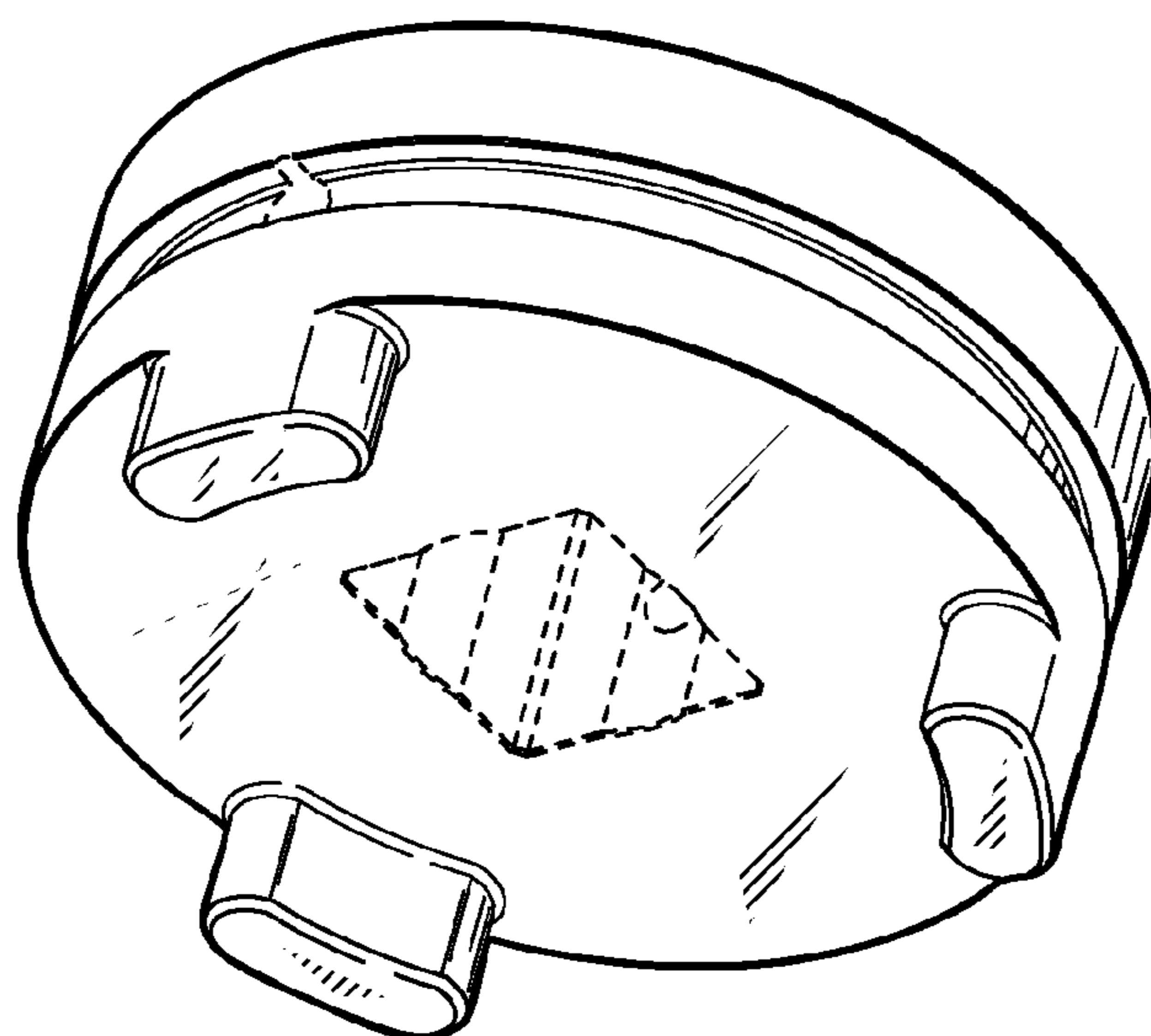


FIG. 2

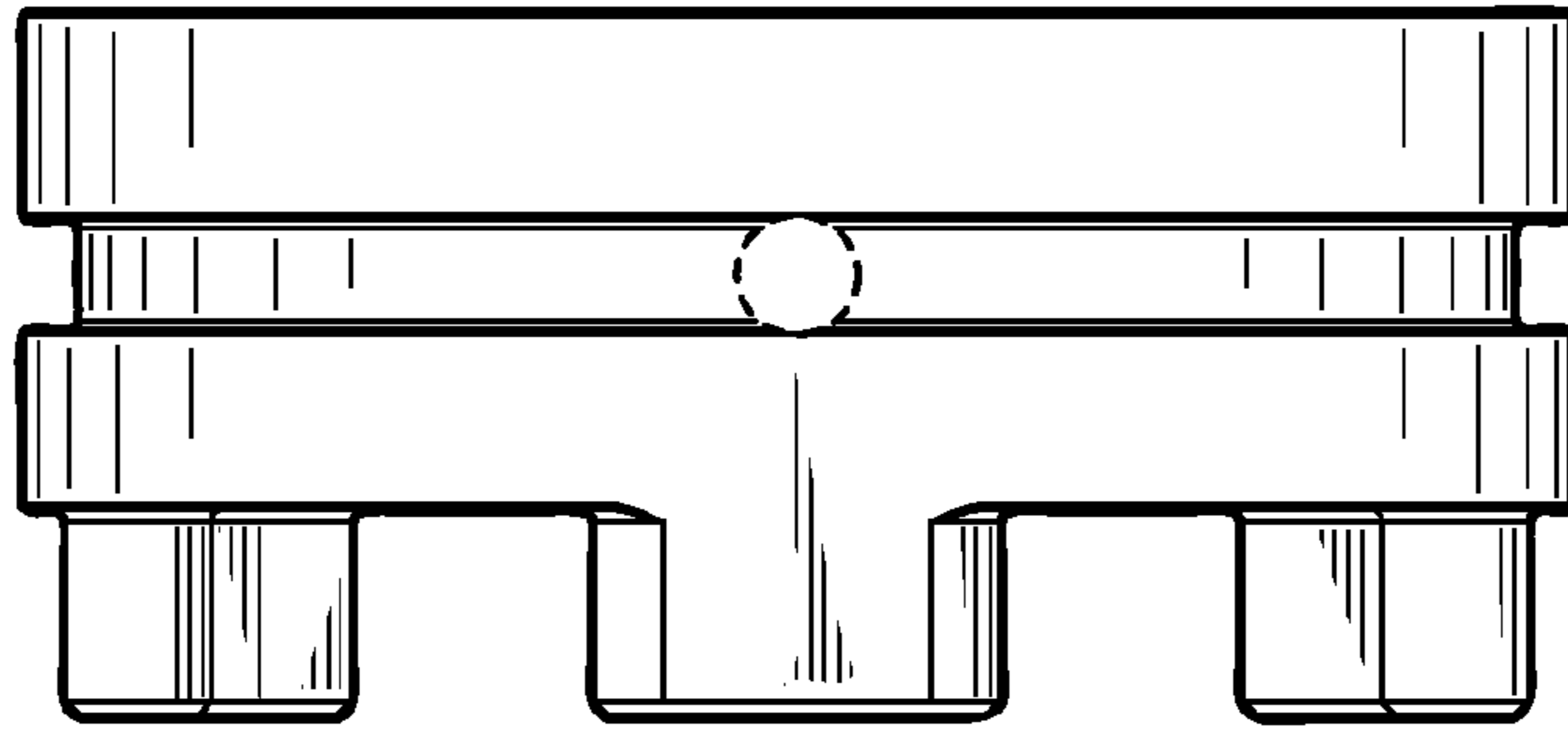


FIG. 3

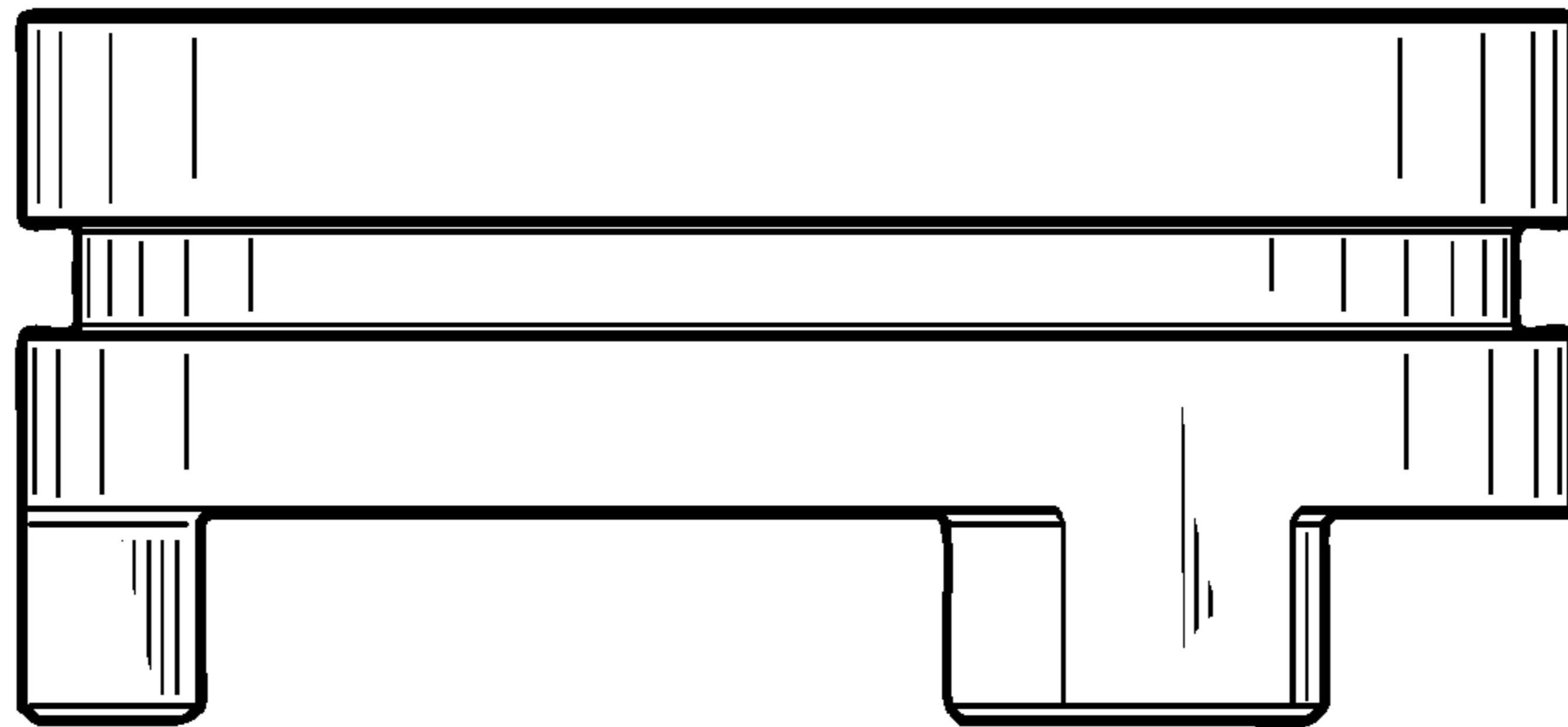


FIG. 4

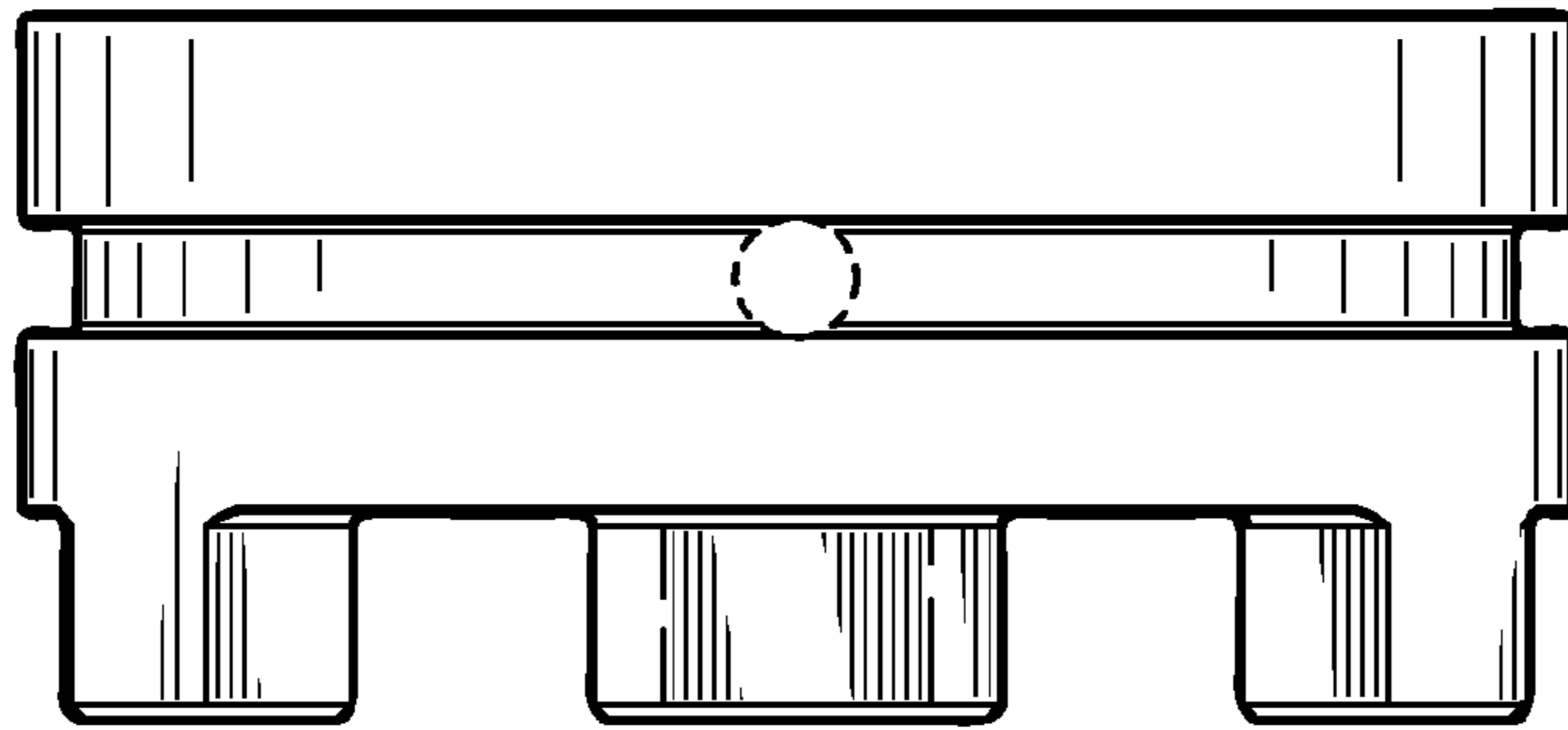


FIG. 5

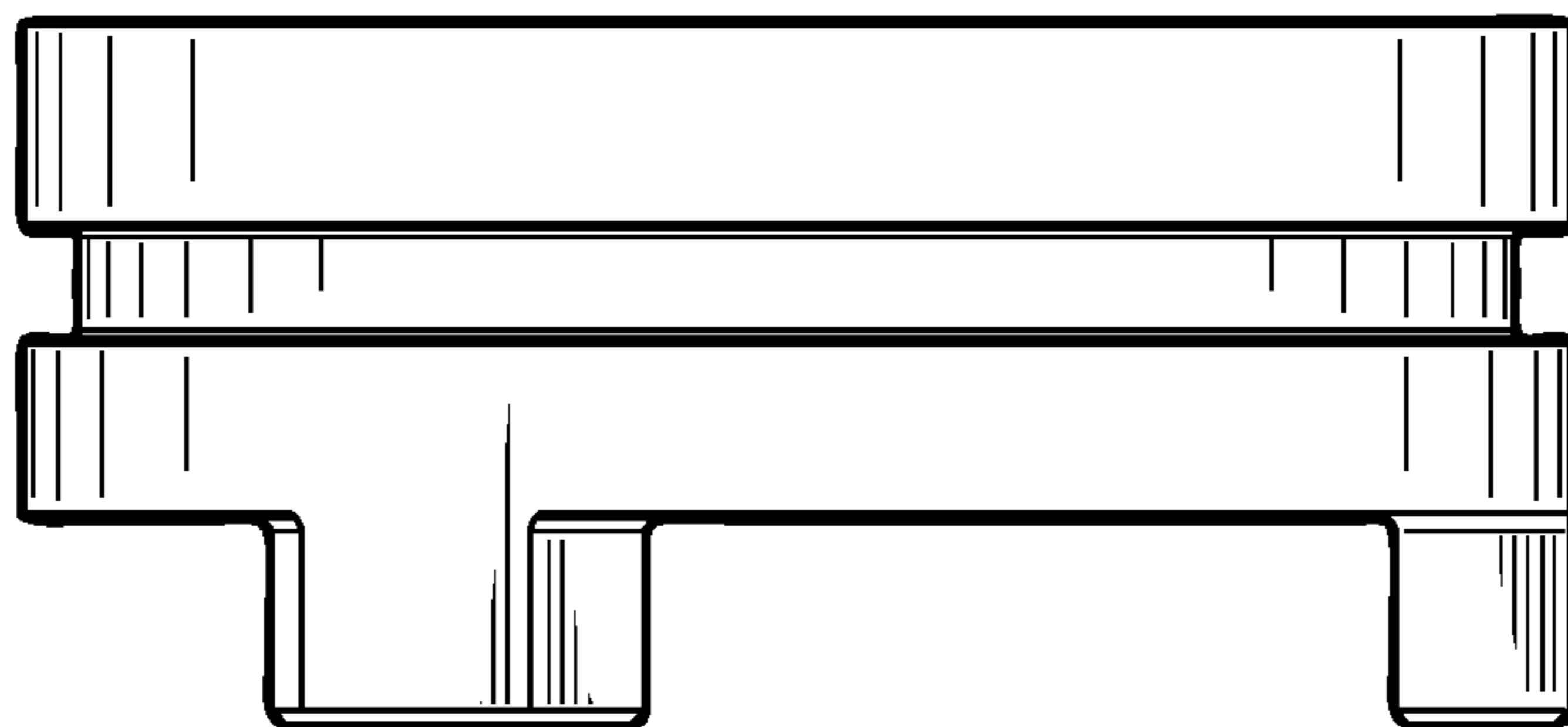


FIG. 6

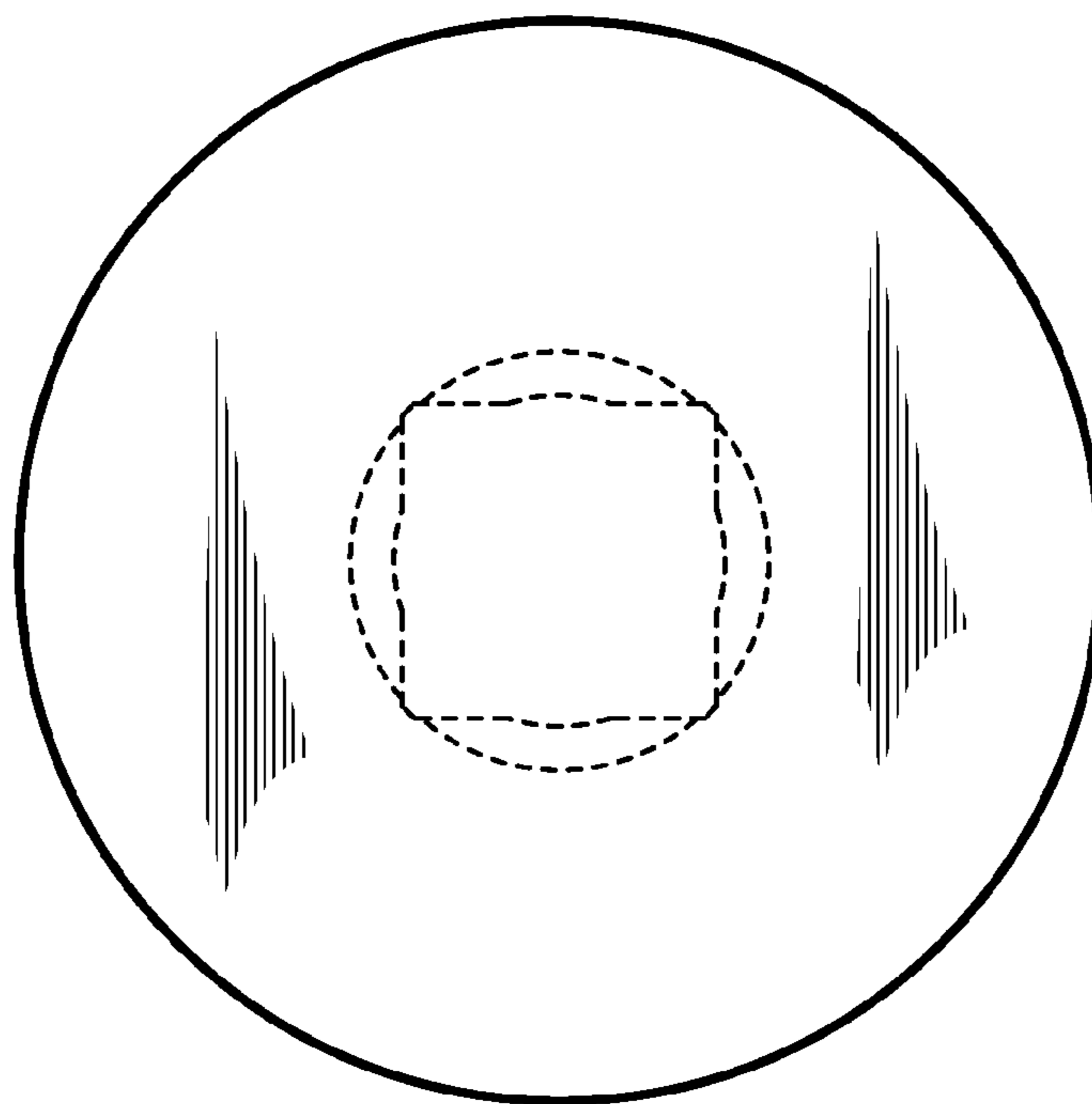


FIG. 7

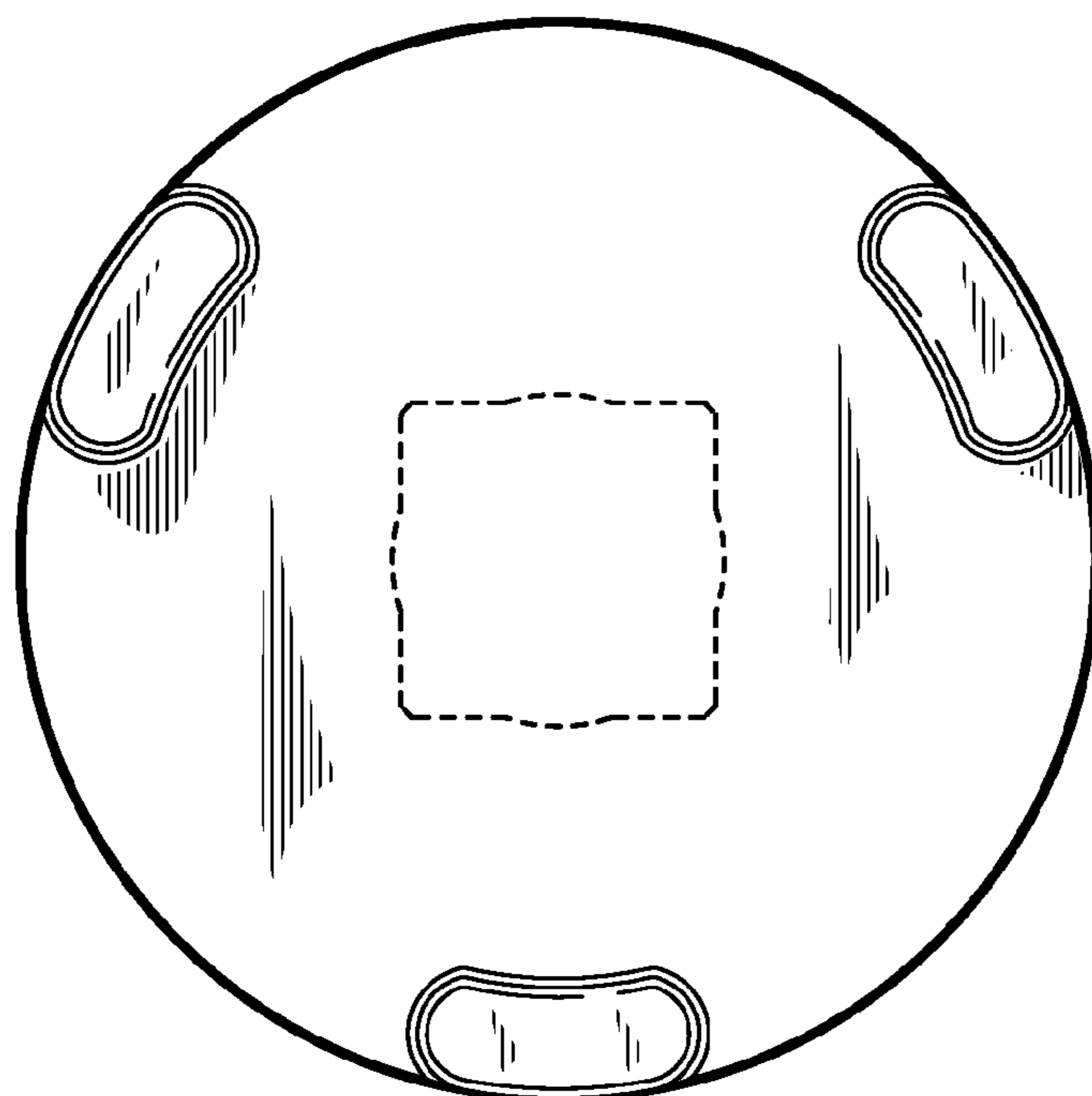


FIG. 8