



US00D726517S

(12) **United States Design Patent**
Fischer

(10) **Patent No.:** **US D726,517 S**

(45) **Date of Patent:** **** Apr. 14, 2015**

(54) **COMPACT WRENCH INCORPORATING A BOTTLE OPENER**

D434,621 S * 12/2000 Tonkin D8/17
D514,403 S * 2/2006 Wolf D8/21
D516,886 S * 3/2006 Kelleghan D8/38

(71) Applicant: **Brett William Fischer**, Lee's Summit, MO (US)

* cited by examiner

(72) Inventor: **Brett William Fischer**, Lee's Summit, MO (US)

Primary Examiner — Randall Gholson

(**) Term: **14 Years**

(57) **CLAIM**

The ornamental design for a compact wrench incorporating a bottle opener, as shown and described.

(21) Appl. No.: **29/485,657**

DESCRIPTION

(22) Filed: **Mar. 21, 2014**

(51) **LOC (10) Cl.** **08-05**

(52) **U.S. Cl.**
USPC **D8/17**

(58) **Field of Classification Search**
USPC D8/17, 18, 19, 21, 26, 27, 28, 105;
81/119, 120, 121.1, 124.3, 124.4,
81/125.1, 176.1, 176.2, 186
See application file for complete search history.

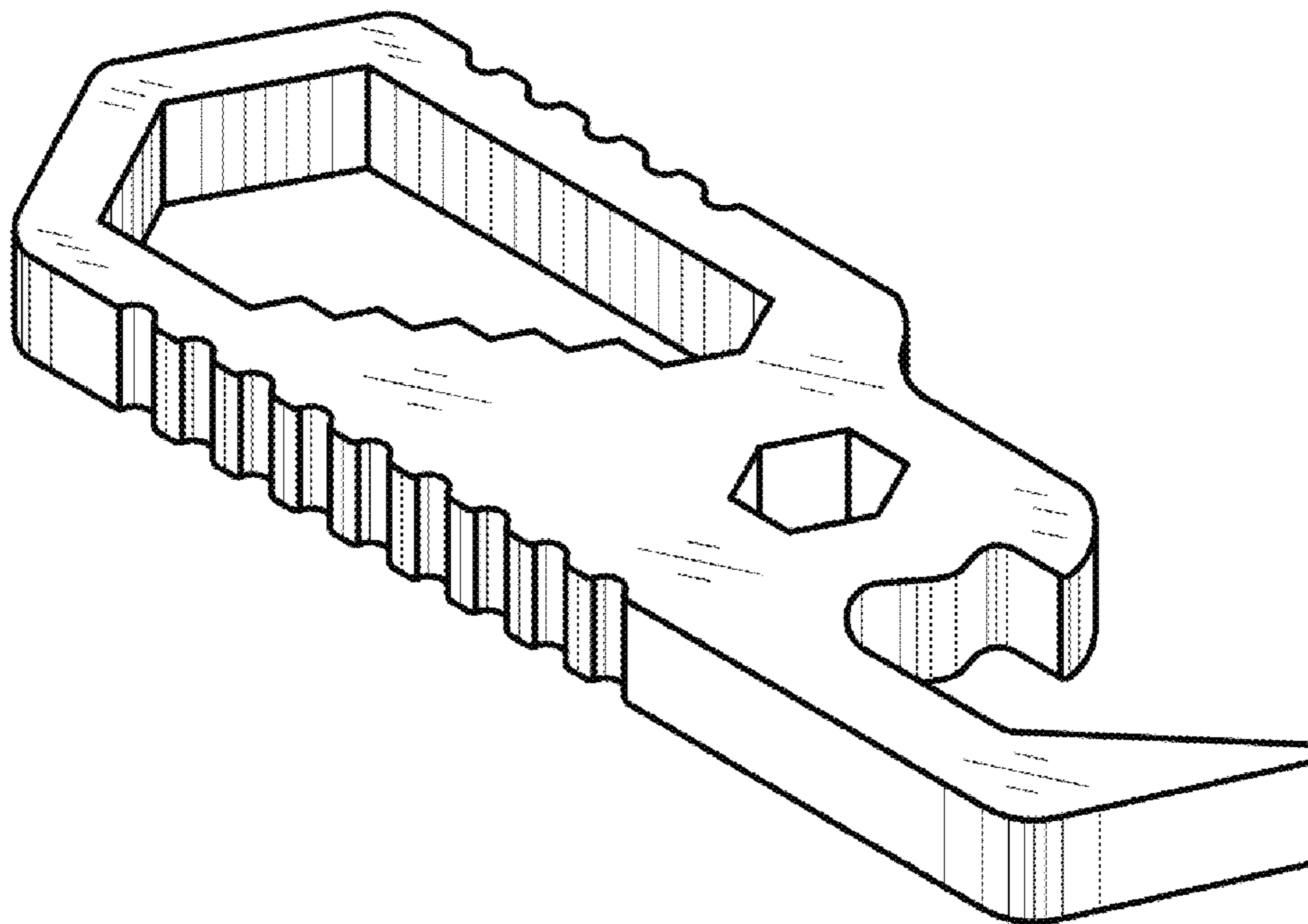
FIG. 1 is a top perspective view of a compact wrench incorporating a bottle opener;
FIG. 2 is a top plan view thereof, the bottom view being a mirror image thereof;
FIG. 3 is a back elevation view thereof;
FIG. 4 is a front elevation view thereof;
FIG. 5 is a left elevation view thereof;
FIG. 6 is a right side elevation view thereof; and,
FIG. 7 is an environmental view showing the compact wrench incorporating a bottle opener opening a bottle.
The broken lines showing a bottle and bottle cap depict environmental subject matter only and form no part of the claimed design.

(56) **References Cited**

U.S. PATENT DOCUMENTS

5,259,281 A * 11/1993 Burke 81/437
D356,237 S * 3/1995 White D8/34

1 Claim, 3 Drawing Sheets



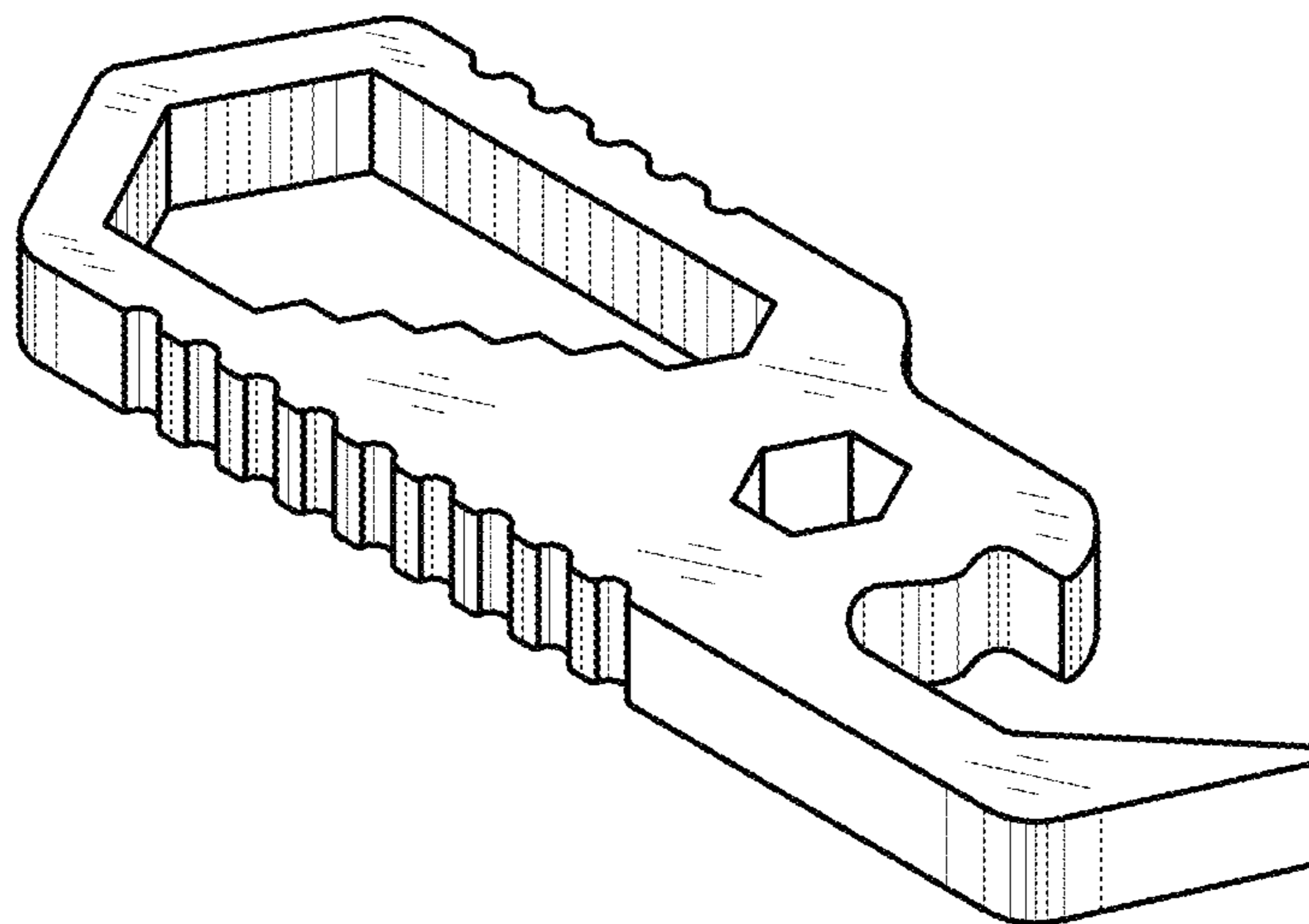


Fig. 1

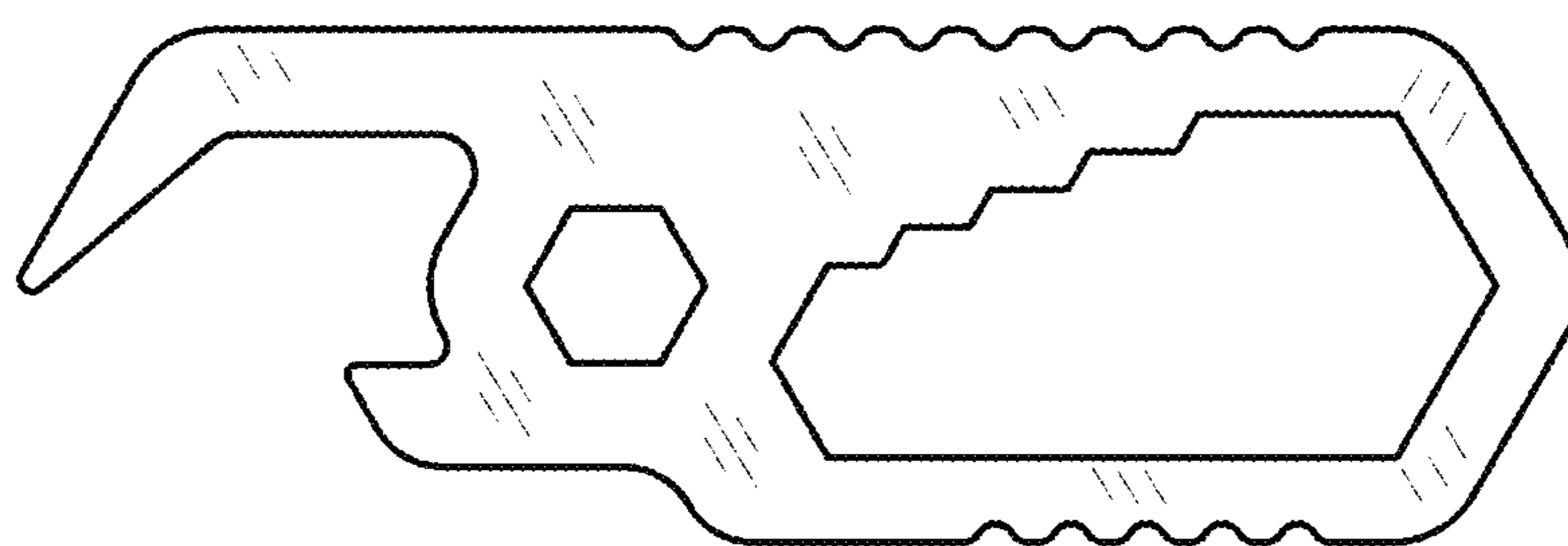


Fig. 2



Fig. 3

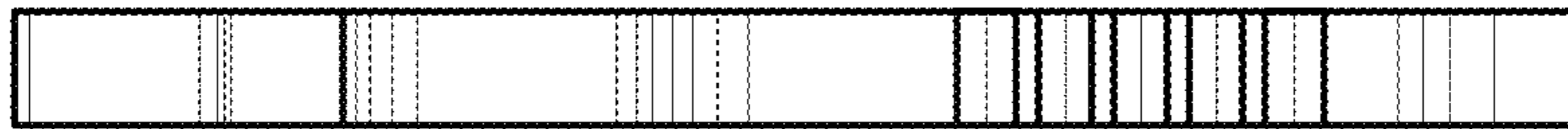


Fig. 4



Fig. 5

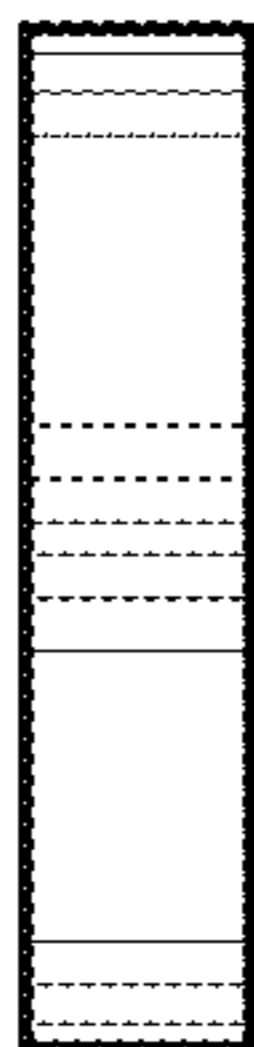


Fig. 6

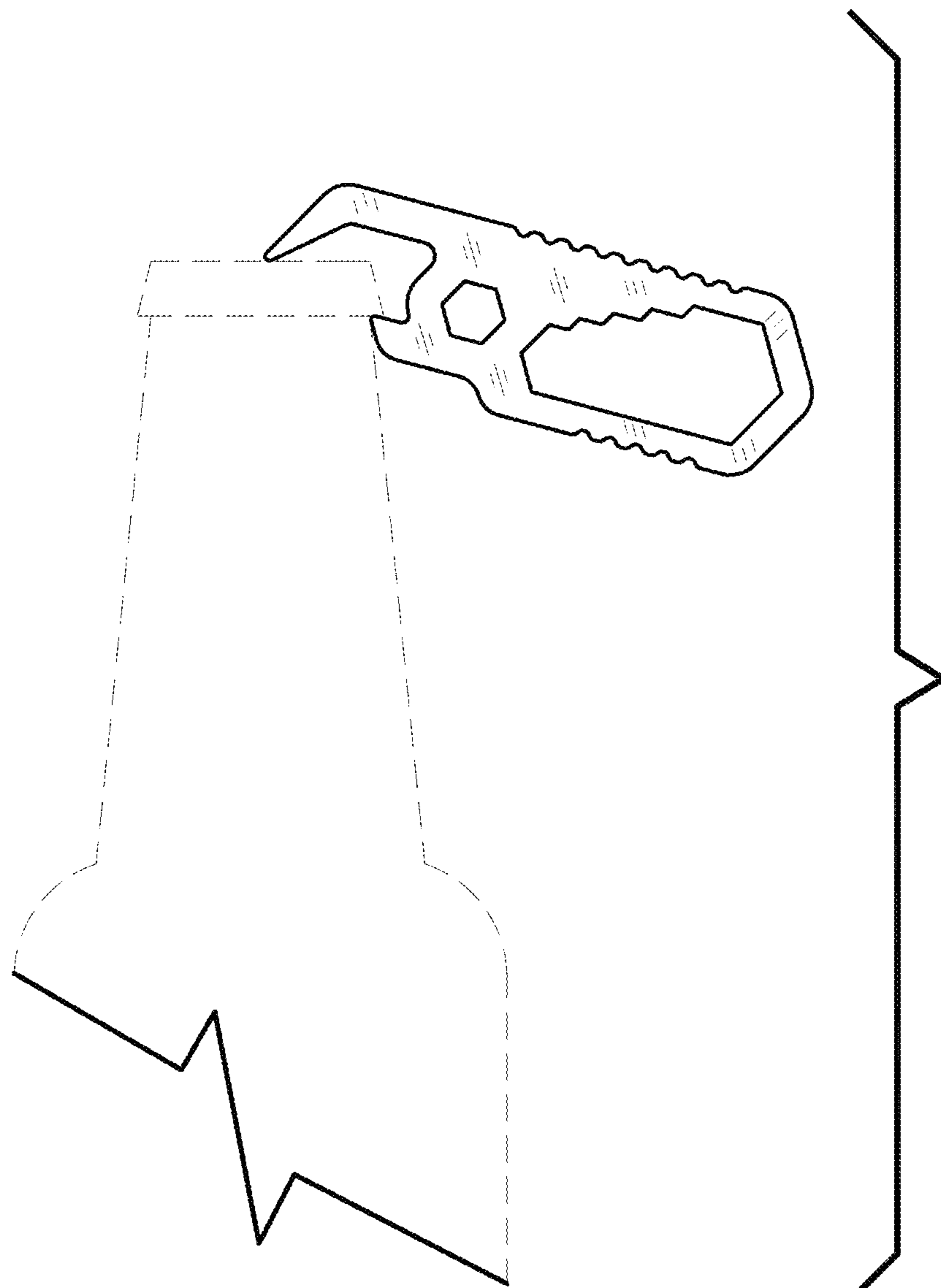


Fig. 7