



US00D726512S

(12) **United States Design Patent**
Shultz et al.

(10) **Patent No.:** **US D726,512 S**
(45) **Date of Patent:** **** Apr. 14, 2015**

(54) **SERVING UTENSIL GRIPPER**
(71) Applicant: **Eminent Enterprises, LLC**, Kokomo, IN (US)
(72) Inventors: **David E. Shultz**, Kokomo, IN (US);
Jerry E. Shultz, Kokomo, IN (US)
(**) Term: **14 Years**
(21) Appl. No.: **29/442,239**
(22) Filed: **Jan. 11, 2013**
(51) **LOC (10) Cl.** **07-03**
(52) **U.S. Cl.**
USPC **D7/642**; D7/644; D7/653
(58) **Field of Classification Search**
CPC A01D 9/02; A01D 9/04; A01D 9/06;
A45D 26/0066; A47G 21/00; A47G 21/004;
A47G 21/005; A47G 21/02; A47G 21/023;
A47G 21/04; A47G 21/06; A47G 21/08;
A47G 21/10; A47G 21/103; A47J 43/28;
A47J 43/281; A47J 43/282; A47J 43/283;
A61F 13/10; A61J 7/0023; B25G 1/00;
B25G 1/01; B25G 1/02; B25G 1/102; B25G
3/00; B65D 75/56; B65D 75/563; B65D
75/566; B67B 7/00; B67B 7/724; B67B 7/73
USPC D7/368, 401.2, 642–645, 653–664, 669,
D7/675–677, 683, 686–689, 691; D8/107,
D8/300–301; D22/117–118, 149; D28/35;
16/110.1, 407, 430; 30/1, 137,
30/142–150, 322–329, 340, 342–345;
294/25–26, 49, 55.5, 57, 99.2
See application file for complete search history.

3,501,191 A * 3/1970 Darr 294/99.2
D284,440 S * 7/1986 Zieff D7/686
4,721,334 A * 1/1988 Nakatsu 294/99.2
D313,537 S * 1/1991 Chisholm D7/686
5,479,708 A 1/1996 Thomas
5,791,053 A * 8/1998 Koong 30/142
6,421,921 B1 7/2002 Garneau, Sr.
D511,804 S * 11/2005 Mullen D22/149
D515,738 S * 2/2006 Grassi D28/35
7,229,111 B2 * 6/2007 Cohen et al. 294/99.2
D578,834 S * 10/2008 Do D7/642
8,459,708 B1 * 6/2013 Sandorfi 294/99.2
D696,904 S * 1/2014 Swierski et al. D7/401.2
8,844,099 B2 * 9/2014 Puig 16/430

* cited by examiner

Primary Examiner — Ricky Pham
(74) *Attorney, Agent, or Firm* — Frank D. Lachenmaier

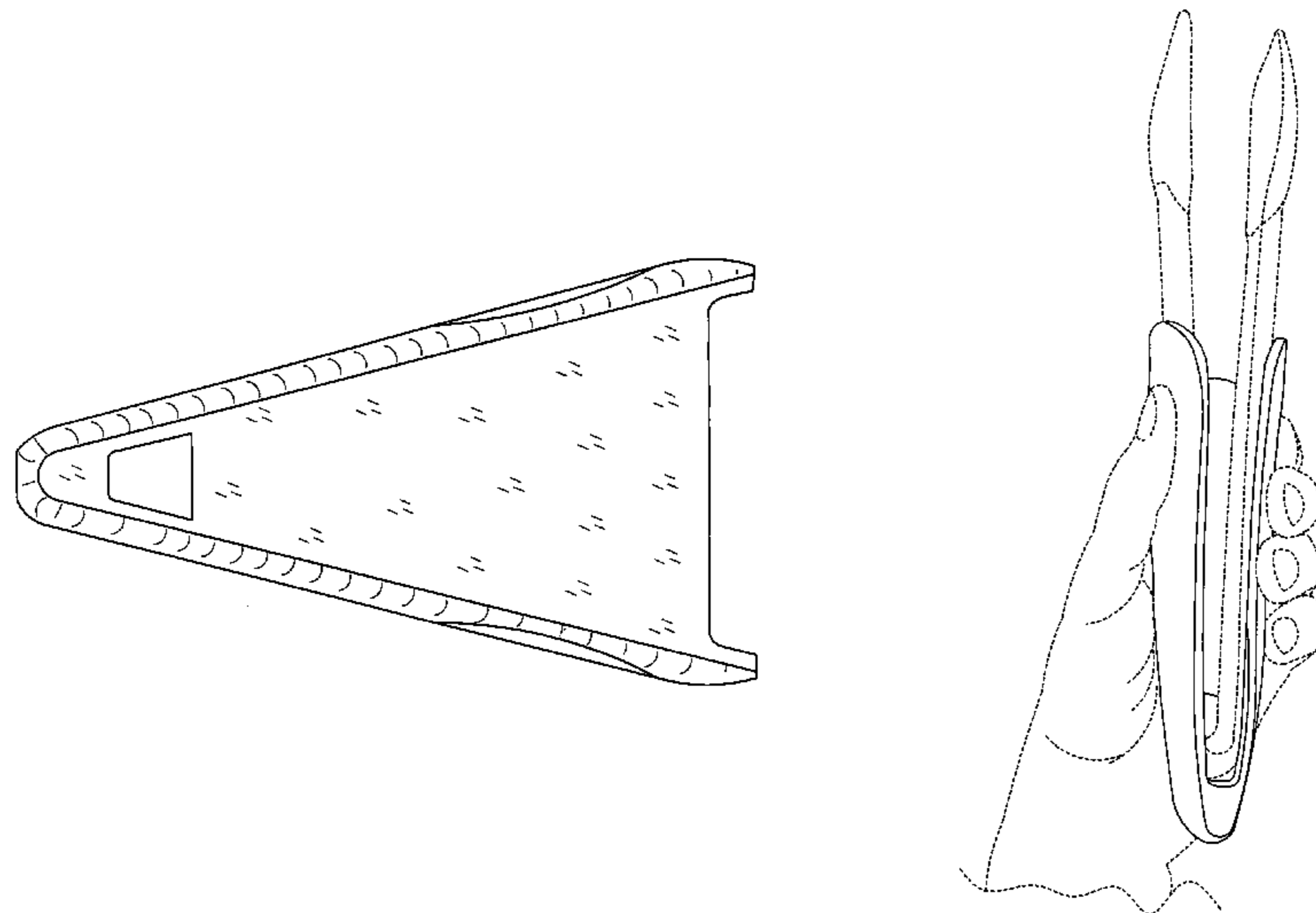
(57) **CLAIM**
The ornamental design for a serving utensil gripper, as shown and described.

DESCRIPTION

FIG. 1 is a top view of a serving utensil gripper.
FIG. 2 is a side view thereof.
FIG. 3 is a front view thereof.
FIG. 4 is a bottom view thereof.
FIG. 5 is a top perspective view thereof.
FIG. 6 is a bottom perspective view thereof.
FIG. 7 is a perspective view of a serving utensil gripper showing our new design picking up a set of serving tongs; and,
FIG. 8 is a perspective view of a serving utensil gripper showing our new design picking up a serving spoon.
Serving utensils and an operator's hand are shown in broken lines as they are not part of this invention and are shown for illustrative purposes only.

(56) **References Cited**
U.S. PATENT DOCUMENTS
D31,966 S * 12/1899 Straub D7/686
D196,133 S 8/1963 Brown

1 Claim, 5 Drawing Sheets



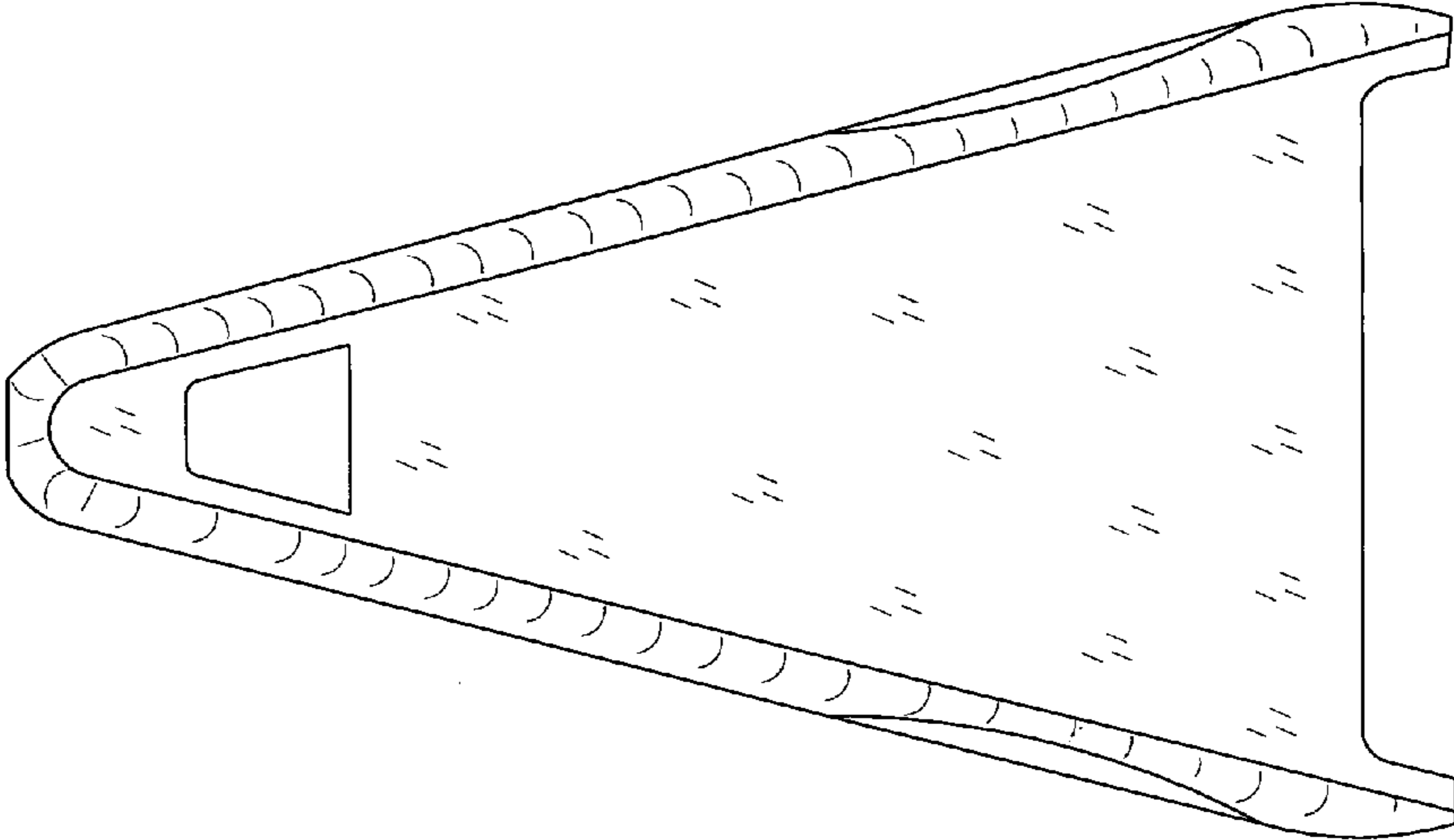


FIG 1

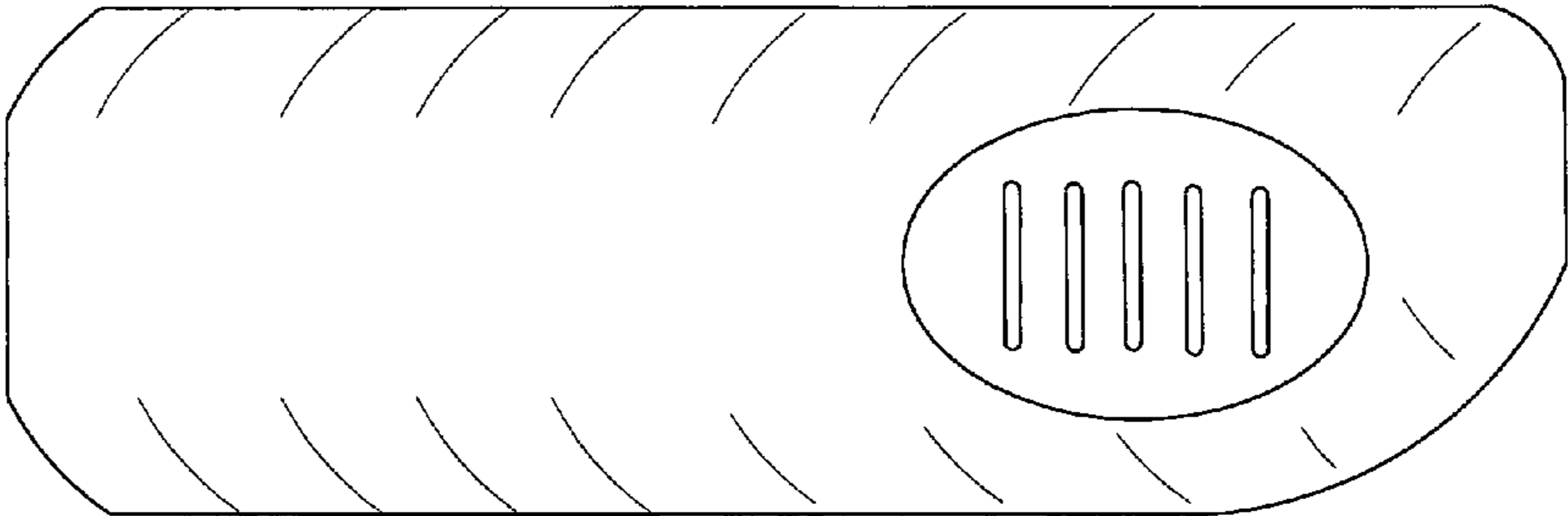


FIG 2

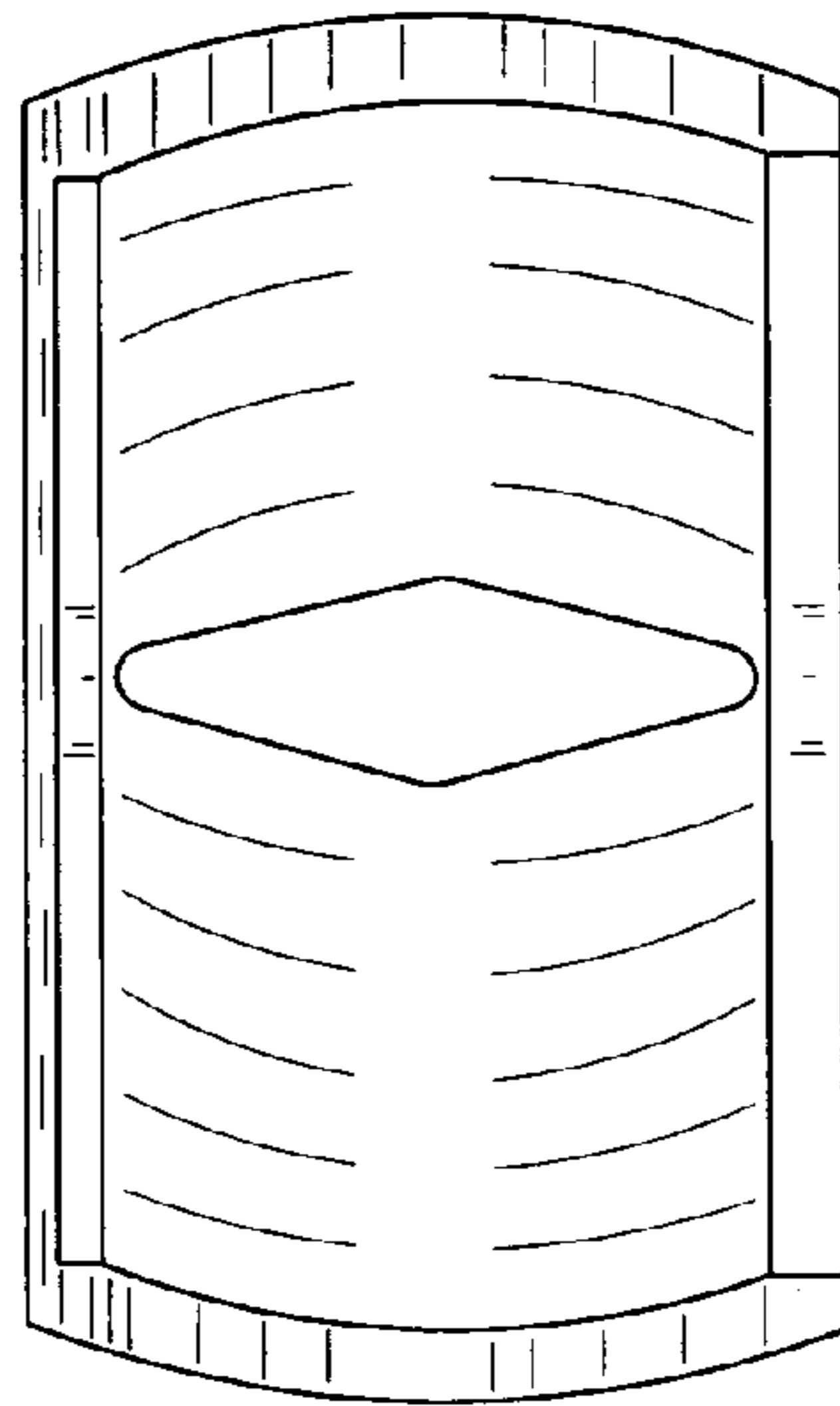


FIG 3

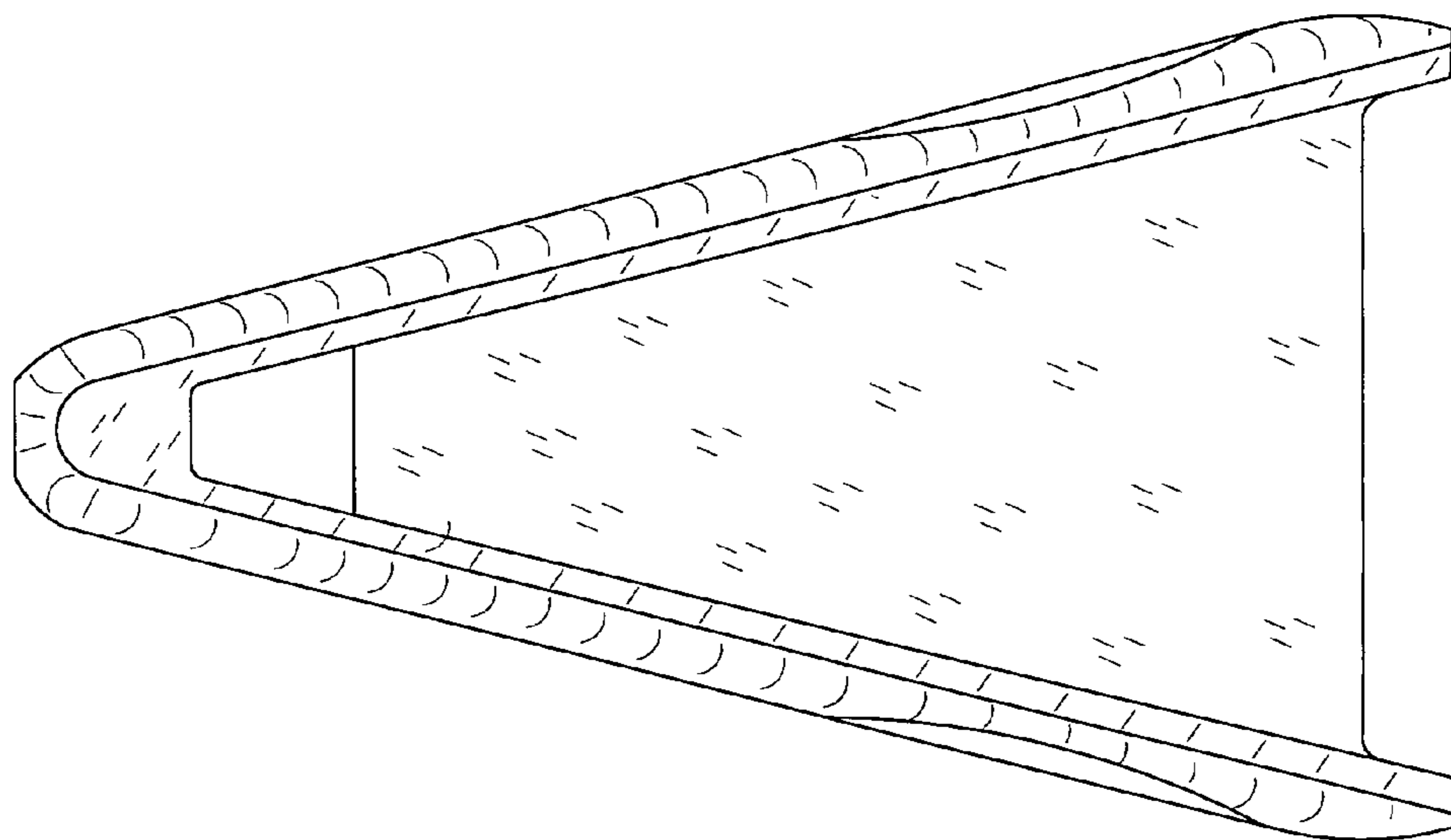


FIG 4

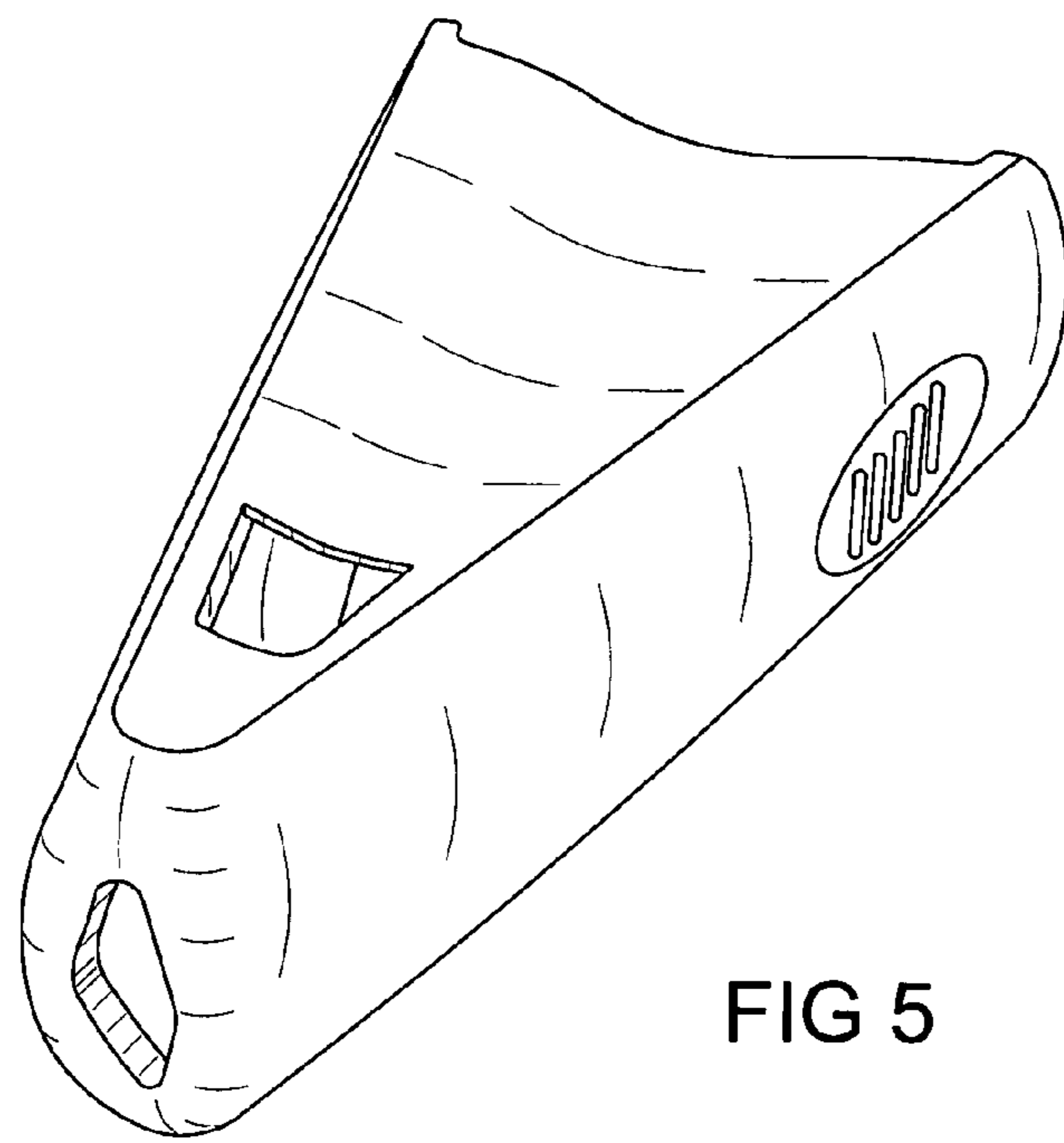


FIG 5

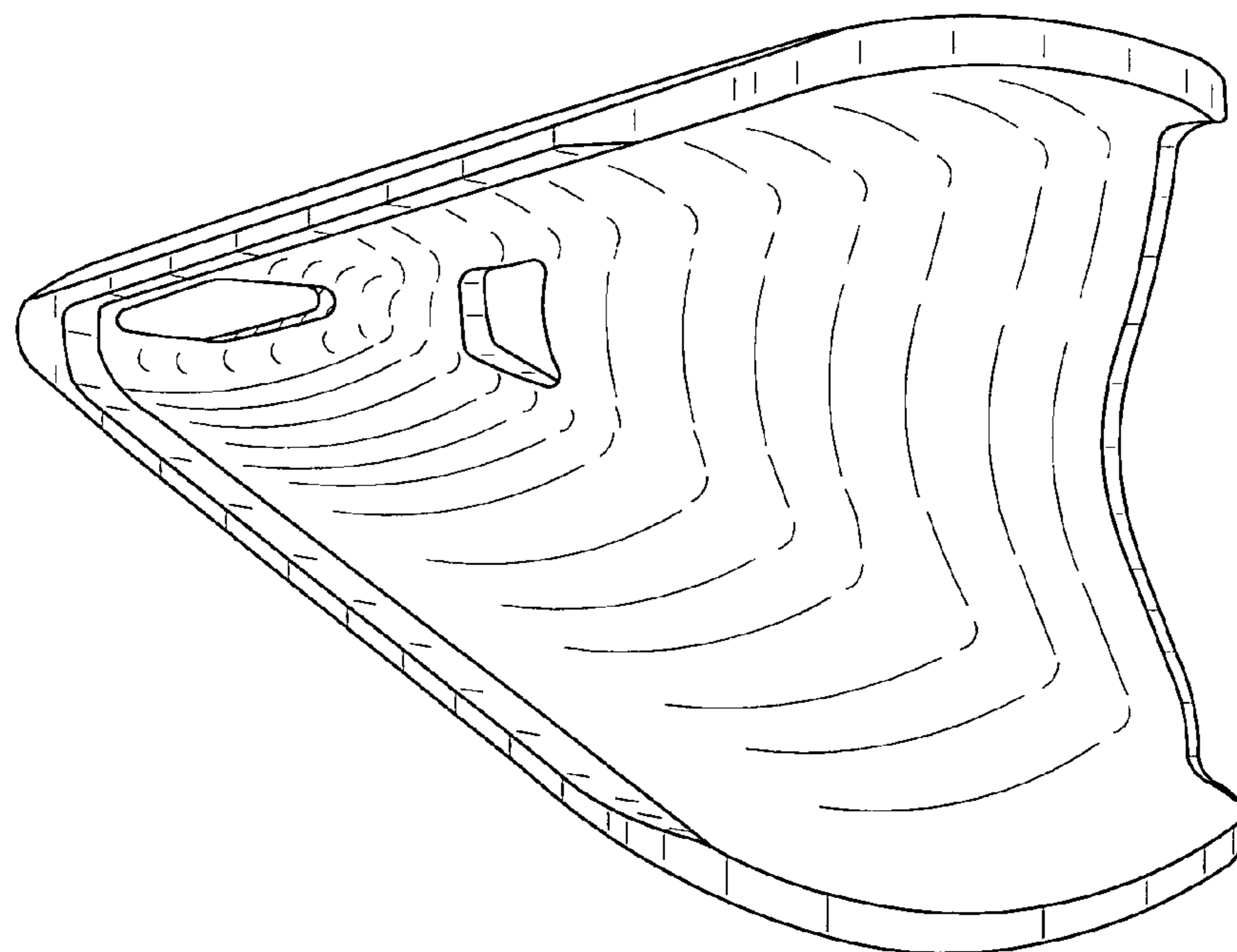


FIG 6

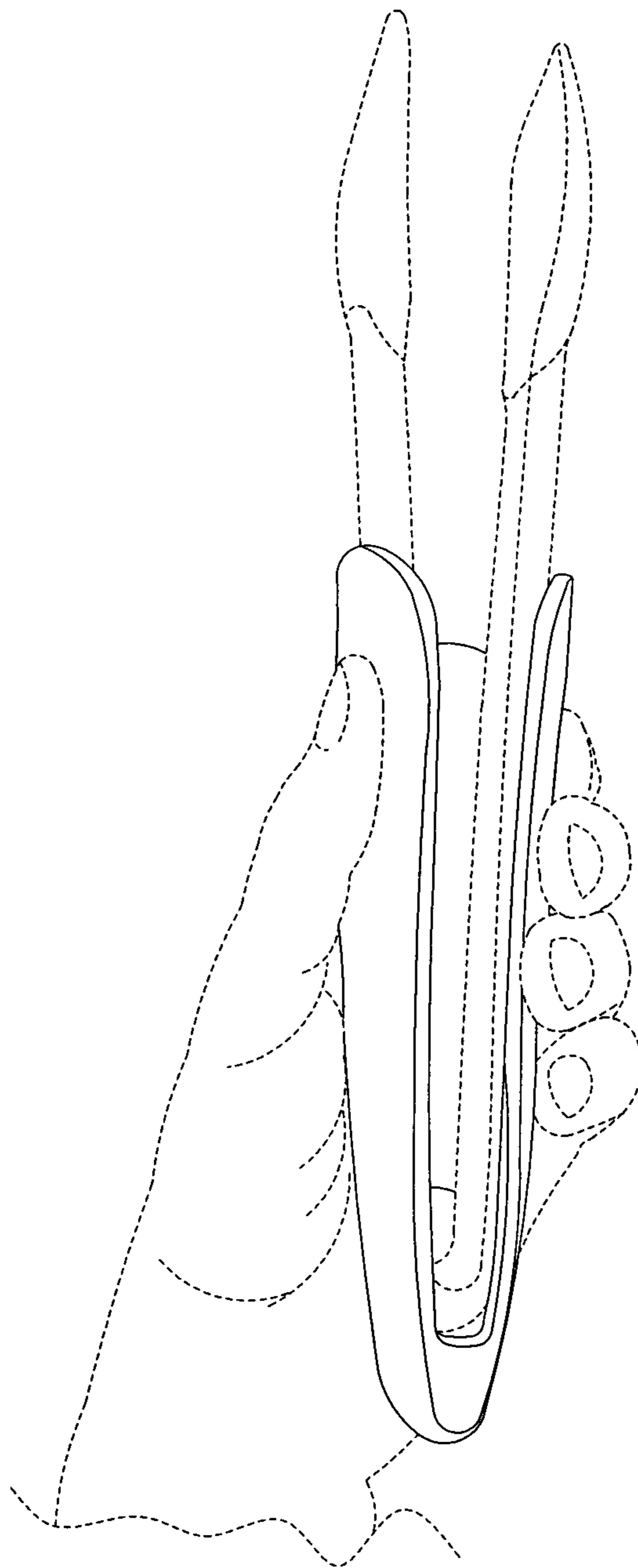


FIG 7

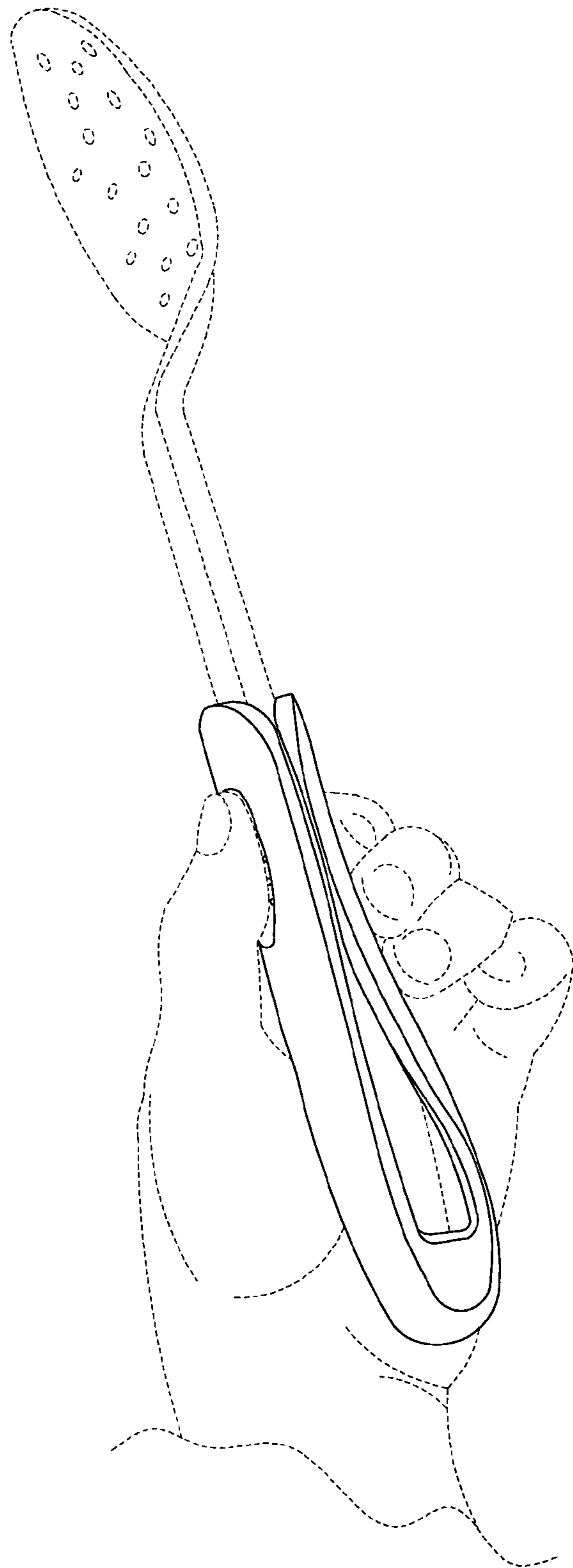


FIG 8